



US00D695033S

(12) **United States Design Patent**
Salzberger et al.

(10) **Patent No.:** **US D695,033 S**

(45) **Date of Patent:** **** Dec. 10, 2013**

(54) **AIRCRAFT SEAT MODULE**

(75) Inventors: **Claude Salzberger**, New York, NY
(US); **Diego Kolsky**, New York, NY
(US); **Robert McDougle**, New York, NY
(US)

(73) Assignee: **LAN Airlines S.A.**, Las Condes (CL)

(**) Term: **14 Years**

(21) Appl. No.: **29/427,212**

(22) Filed: **Jul. 16, 2012**

(51) **LOC (9) Cl.** **06-01**

(52) **U.S. Cl.**
USPC **D6/356**

(58) **Field of Classification Search**
USPC D6/334–336, 356, 360, 361, 367, 368,
D6/381, 716, 716.1, 716.2, 716.3, 716.4,
D6/716.5; 297/118, 163, 173, 232, 233,
297/244, 248, 342, 354.1, 354.11, 361.1;
244/118.5, 118.6, 122 R, 141
See application file for complete search history.

(56) **References Cited**

U.S. PATENT DOCUMENTS

D487,981 S *	4/2004	Ludeke et al.	D6/356
D493,294 S *	7/2004	Newson	D6/356
D510,816 S *	10/2005	Lee	D6/356
D558,992 S *	1/2008	Bock	D6/356
D591,520 S *	5/2009	Orson et al.	D6/356
D592,412 S *	5/2009	Suge et al.	D6/356

D605,419 S *	12/2009	Suge et al.	D6/356
D611,260 S *	3/2010	Plant	D6/356
8,011,723 B2 *	9/2011	Park et al.	297/118
D649,793 S *	12/2011	Porter et al.	D6/356
D652,643 S *	1/2012	Porter et al.	D6/356
D652,644 S *	1/2012	Porter et al.	D6/356
D656,750 S *	4/2012	Porter et al.	D6/356
D661,116 S *	6/2012	Darbyshire	D6/356
D686,423 S *	7/2013	Salzberger et al.	D6/356
2010/0252680 A1 *	10/2010	Porter	244/118.6
2012/0292957 A1 *	11/2012	Vergnaud et al.	297/232

* cited by examiner

Primary Examiner — Mimosa De

(74) *Attorney, Agent, or Firm* — Finnegan, Henderson, Farabow, Garrett & Dunner, LLP

(57) **CLAIM**

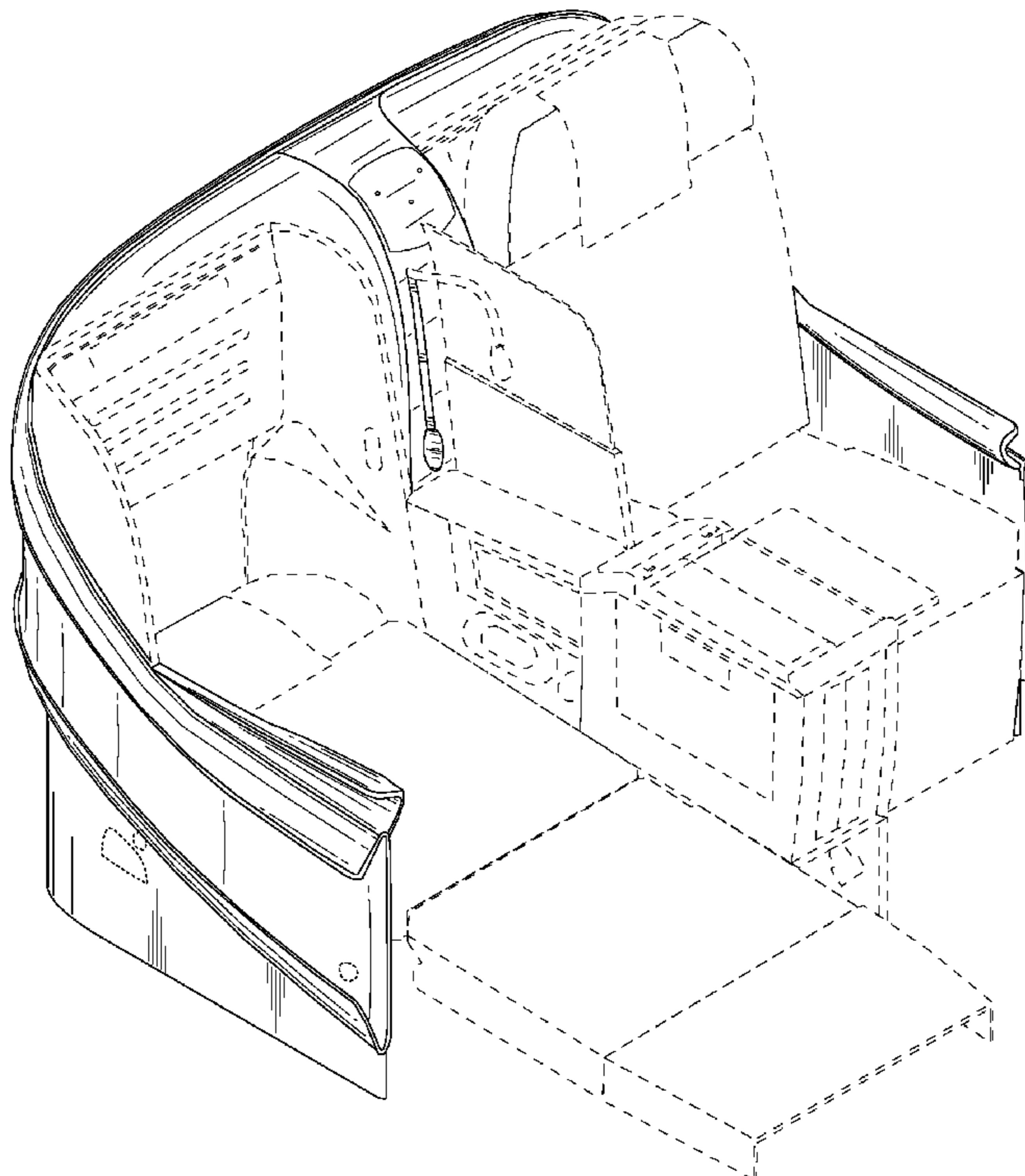
The ornamental design for an aircraft seat module, as shown and described.

DESCRIPTION

FIG. 1 is a front perspective view of an aircraft seat module showing our new design;
FIG. 2 is a rear perspective view thereof;
FIG. 3 is a front view thereof;
FIG. 4 a rear view thereof;
FIG. 5 is a right side view thereof;
FIG. 6 is left side view thereof;
FIG. 7 is a top plan view thereof; and,
FIG. 8 is a bottom view thereof.

The portions depicted in broken lines are environment and the elements depicted in broken lines form no part of the claimed design.

1 Claim, 8 Drawing Sheets



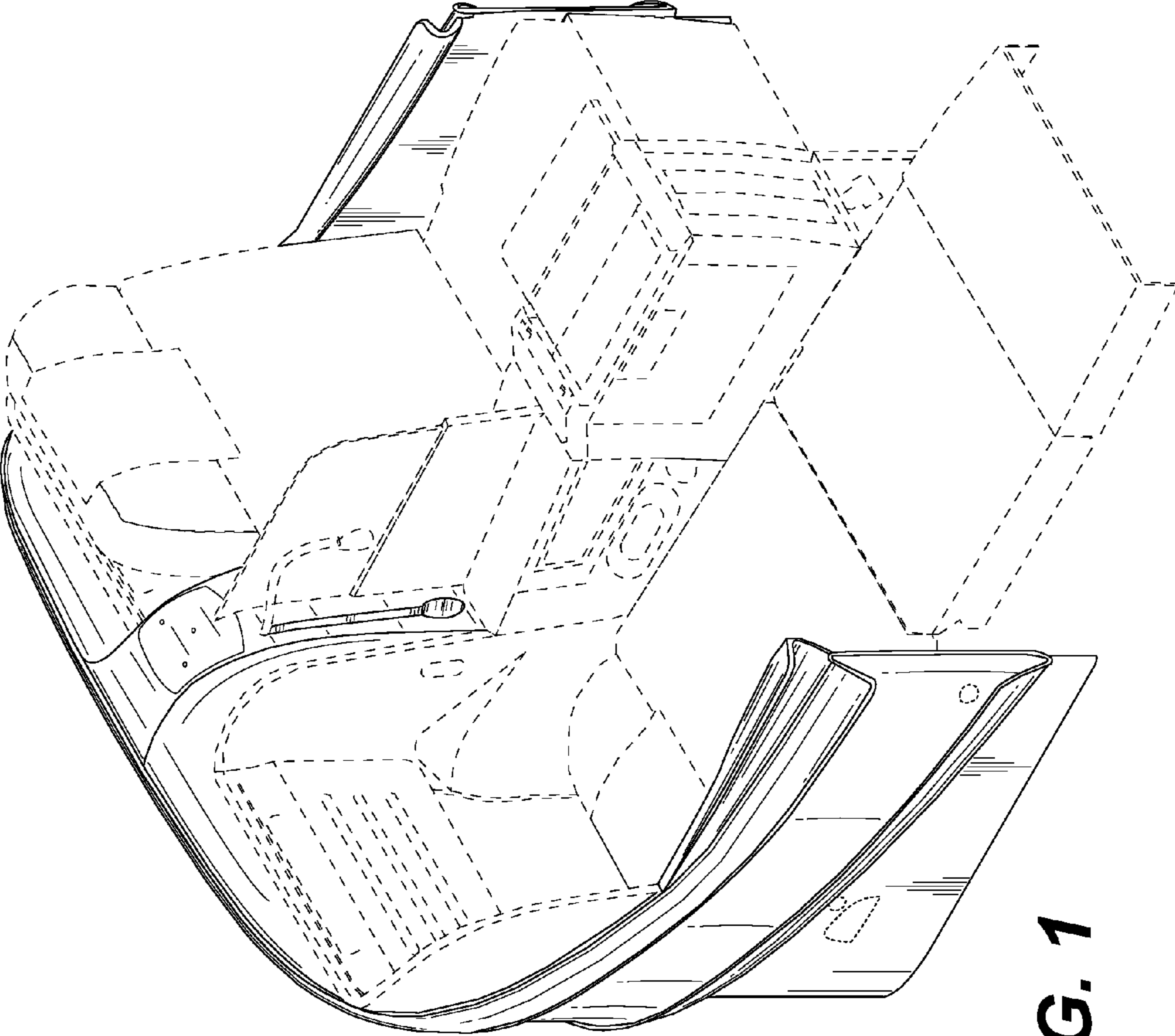


FIG. 1

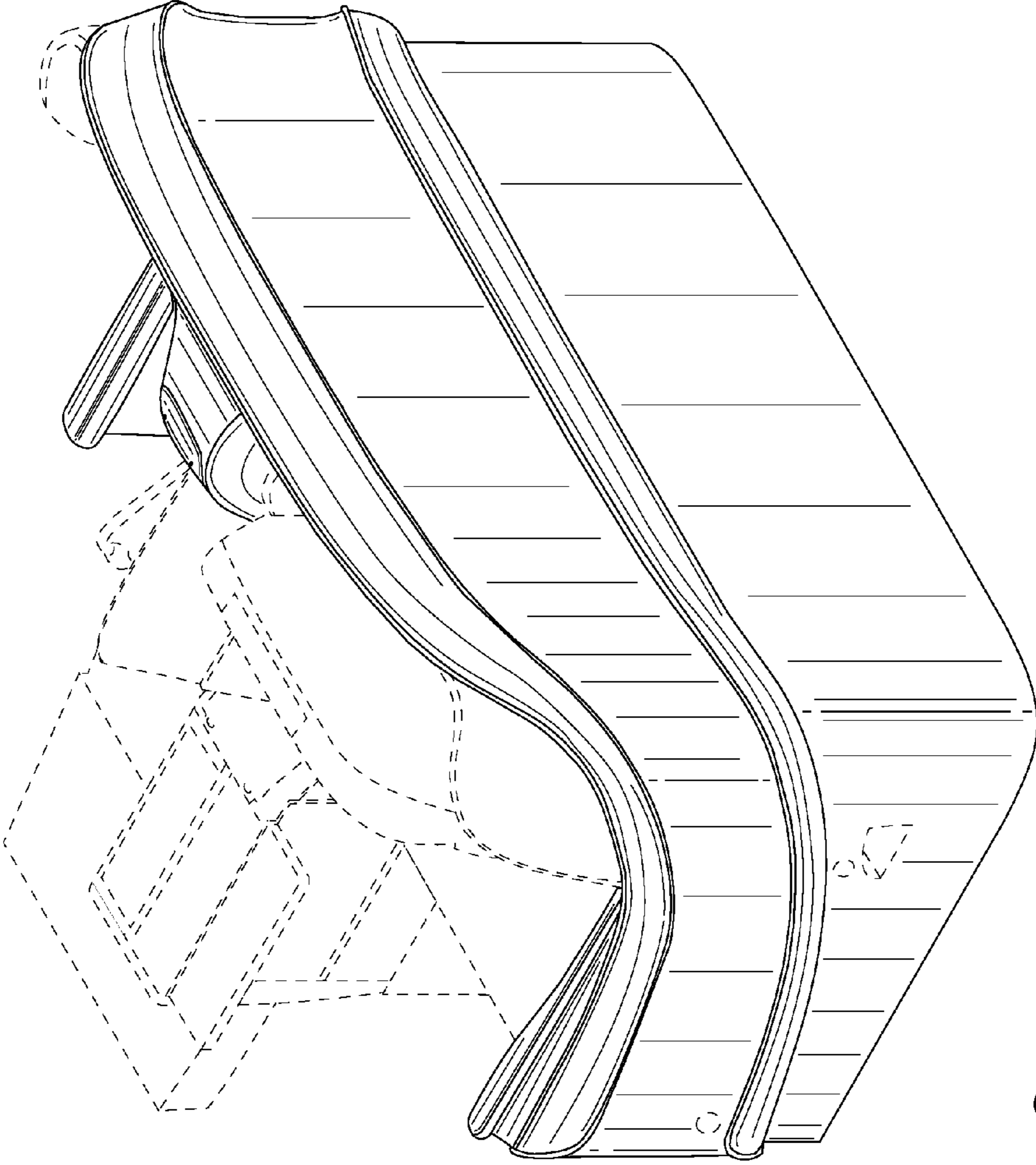


FIG. 2

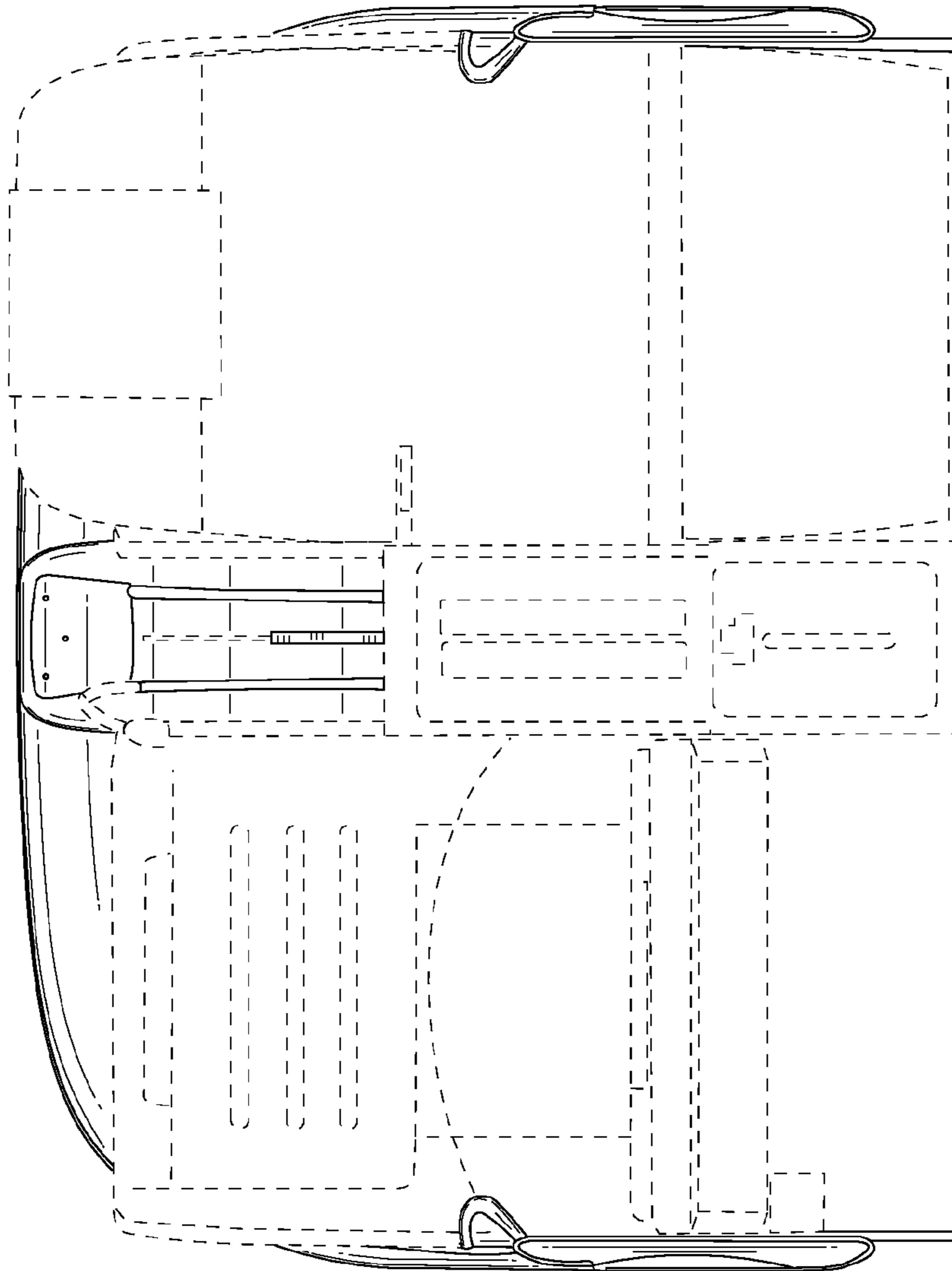


FIG. 3

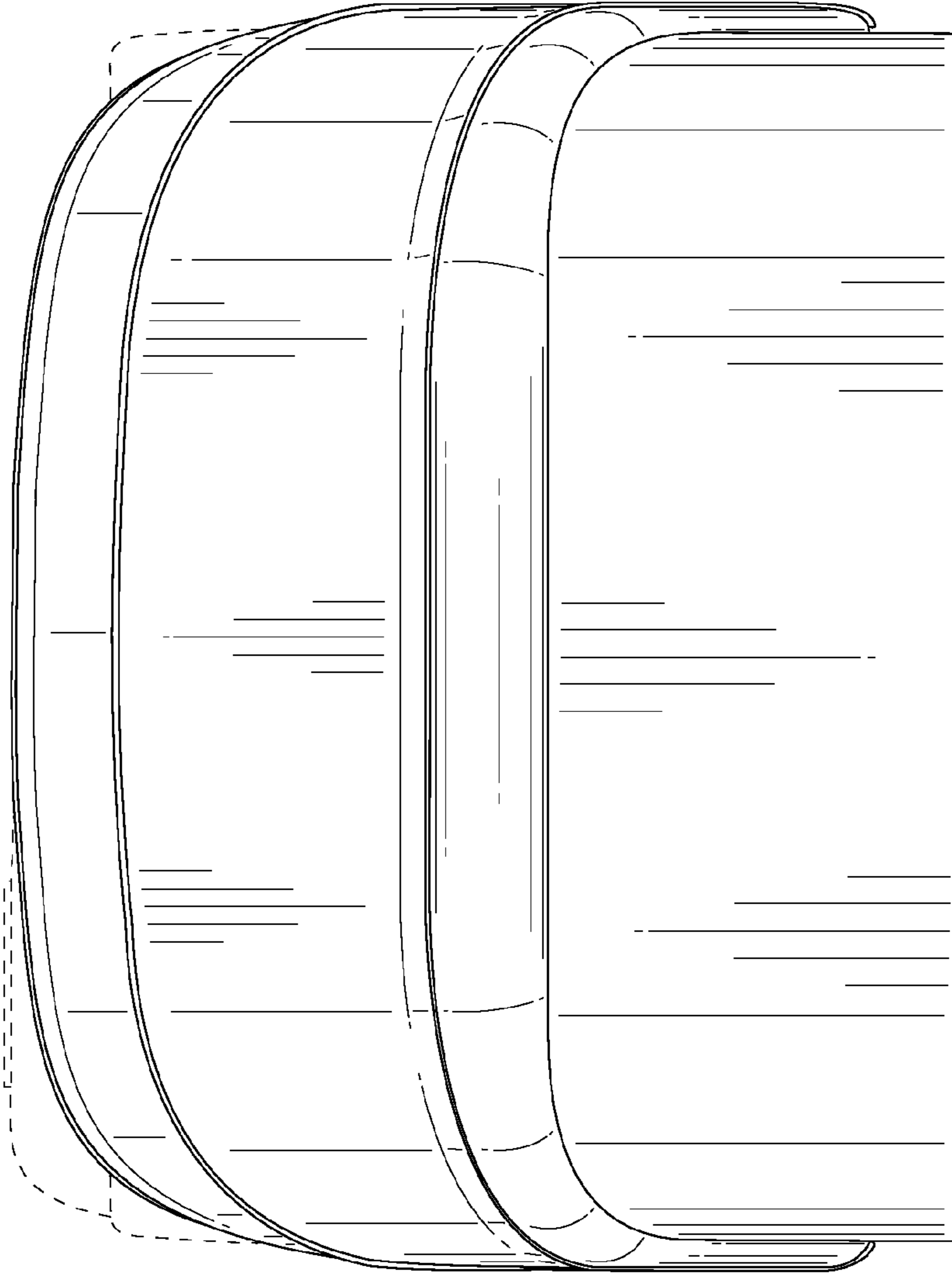


FIG. 4

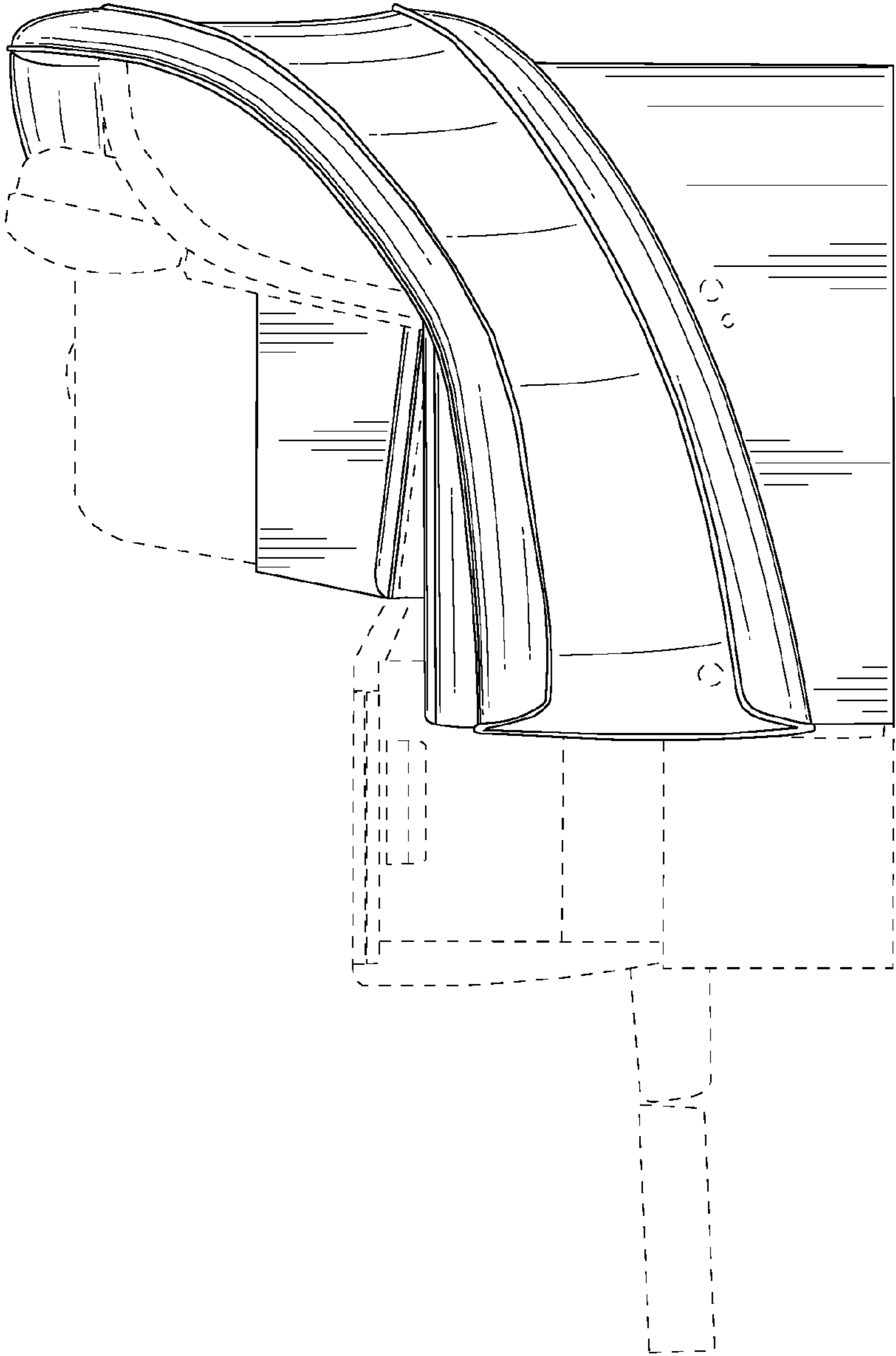


FIG. 5

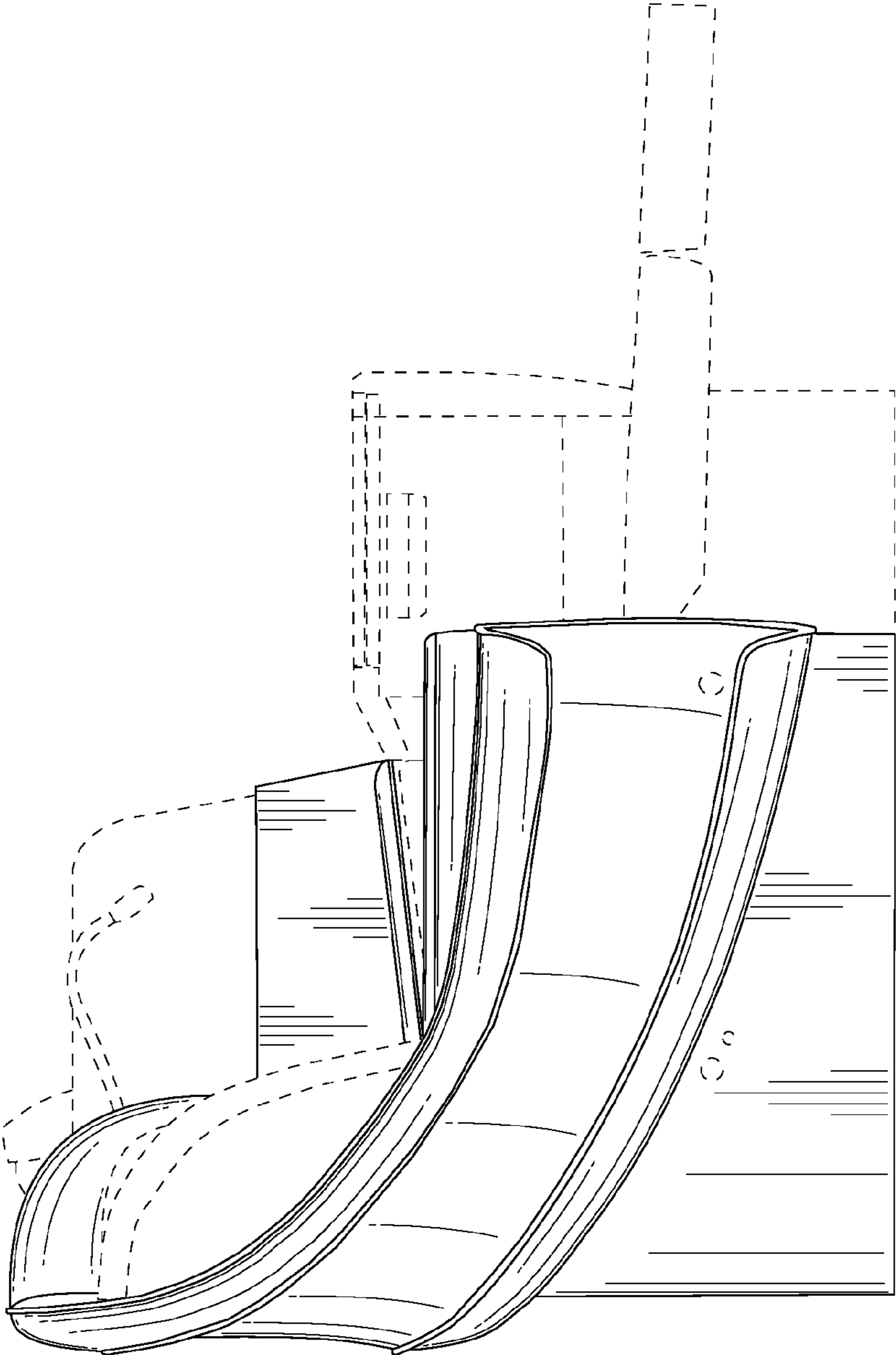


FIG. 6

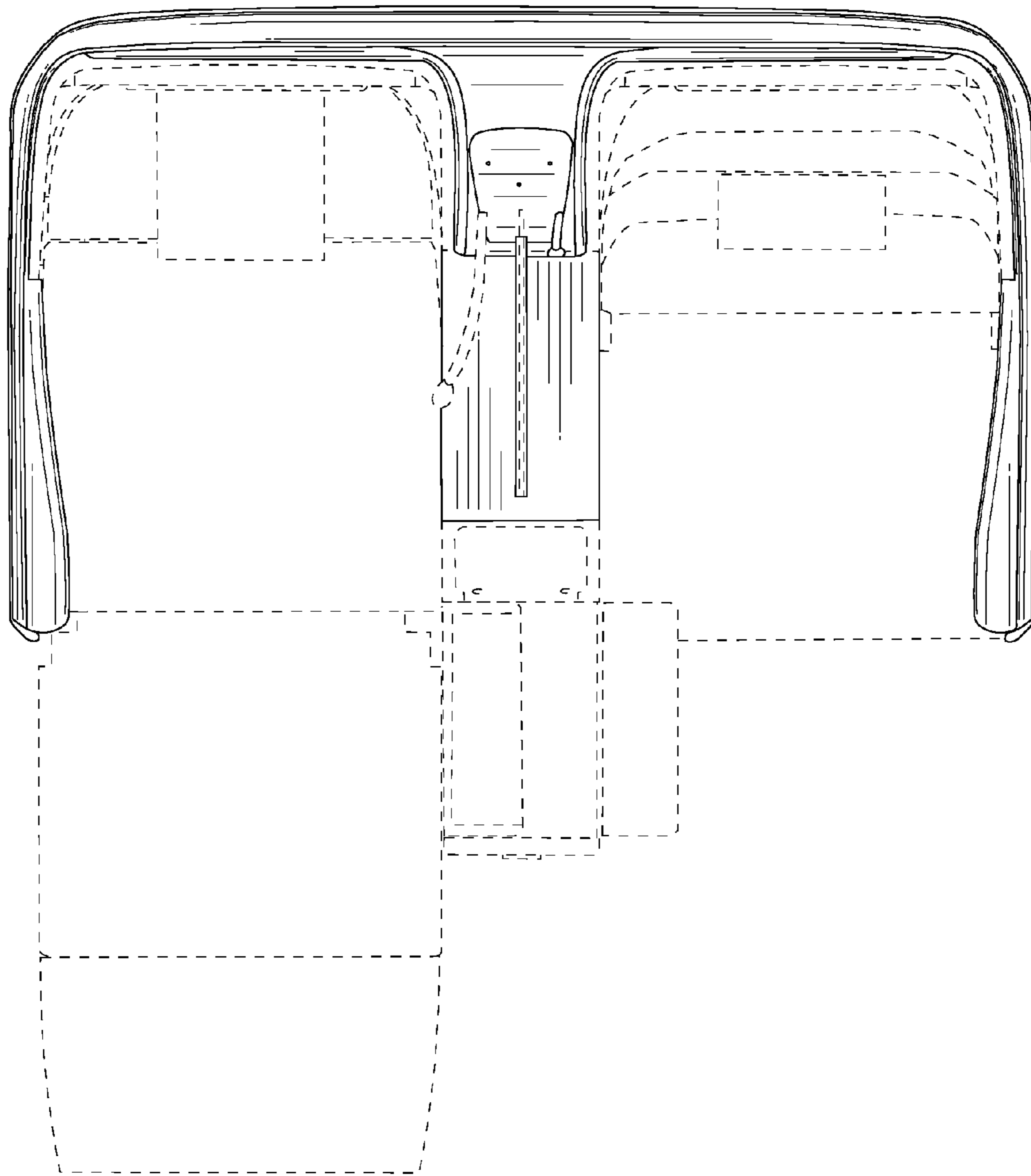


FIG. 7

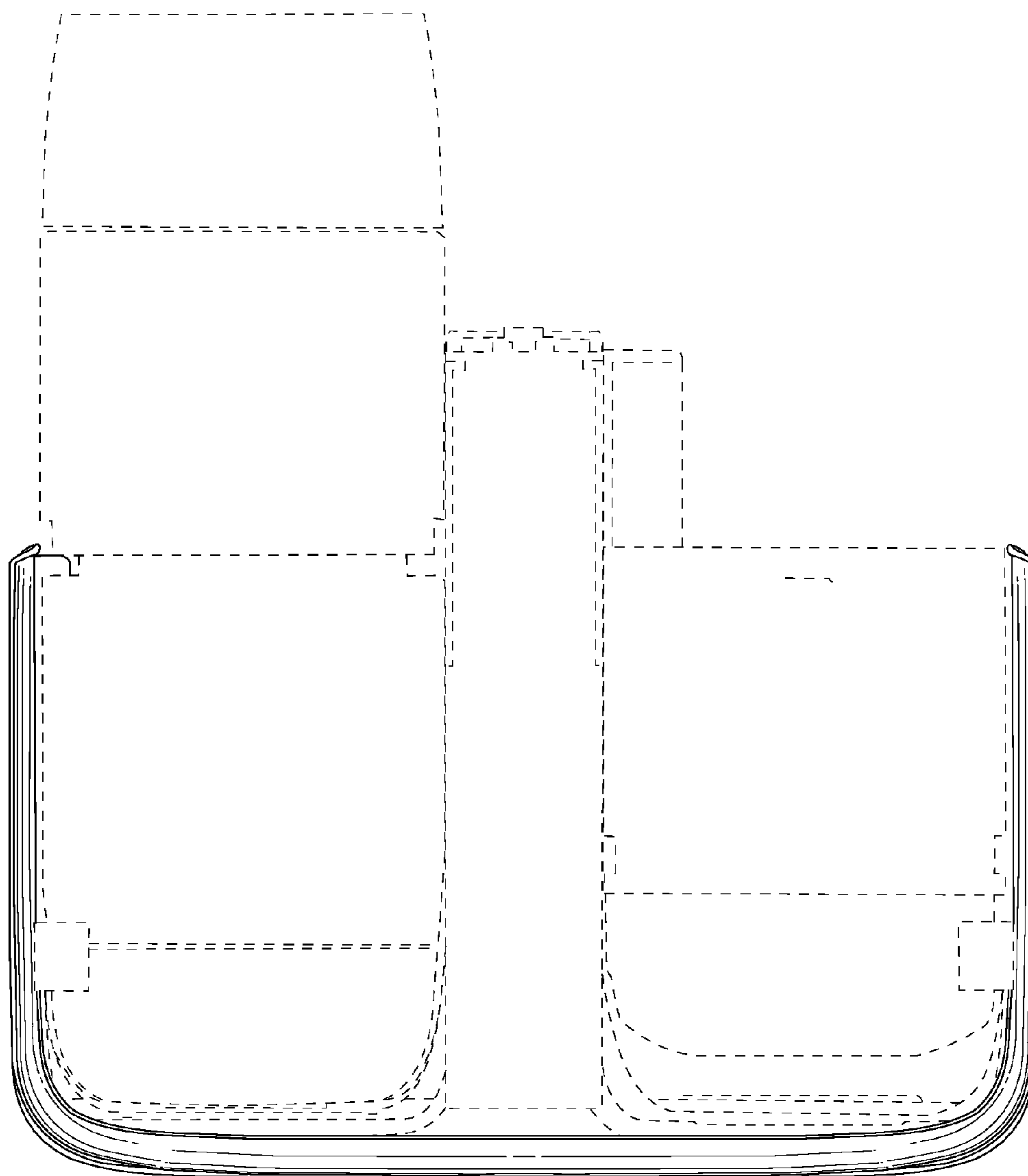


FIG. 8