

US00D695031S

(12) **United States Design Patent**  
**Jehs et al.**

(10) **Patent No.:** **US D695,031 S**

(45) **Date of Patent:** **\*\* Dec. 10, 2013**

(54) **BAR STOOL**

(75) Inventors: **Markus Jehs**, Stuttgart (DE); **Jürgen Laub**, Stuttgart (DE)

(73) Assignee: **Davis Furniture Industries, Inc.**, High Point, NC (US)

(\*\*) Term: **14 Years**

(21) Appl. No.: **29/404,768**

(22) Filed: **Oct. 25, 2011**

(51) **LOC (9) Cl.** ..... **06-01**

(52) **U.S. Cl.**  
USPC ..... **D6/349**

(58) **Field of Classification Search**  
USPC ..... D6/334-336, 338, 340-355, 360,  
D6/363-365, 367-373, 656, 716.1-716.6,  
D6/717, 717.2; 297/461, 462, 115, 116,  
297/135, 160-162

See application file for complete search history.

(56) **References Cited**

**U.S. PATENT DOCUMENTS**

D168,001 S *	10/1952	Sachs	.....	D6/349
D225,190 S *	11/1972	Van Syoc	.....	D6/336
D285,872 S *	9/1986	Massonnet	.....	D6/352
D296,733 S *	7/1988	Spaanderman	.....	D6/352
D316,348 S *	4/1991	Livi	.....	D6/484
D355,776 S *	2/1995	Good	.....	D6/349
D366,772 S *	2/1996	Pasin	.....	D6/363

D440,415 S *	4/2001	Bellini	.....	D6/349
D493,967 S *	8/2004	Barbieri	.....	D6/349
D497,055 S *	10/2004	Sorkin	.....	D6/349
D566,409 S *	4/2008	Lindqvist et al.	.....	D6/352
D667,647 S *	9/2012	Klimoski	.....	D6/349

**OTHER PUBLICATIONS**

Internet advertisement illustrating bar stools (<http://www.indartu.com/ingles/ingles.html>), date unknown.

Advertisement (source unknown) illustrating bar stools, date unknown.

\* cited by examiner

*Primary Examiner* — Susan Bennett Hattan

*Assistant Examiner* — Vy Koenig

(74) *Attorney, Agent, or Firm* — Womble Carlyle Sandridge & Rice, LLP

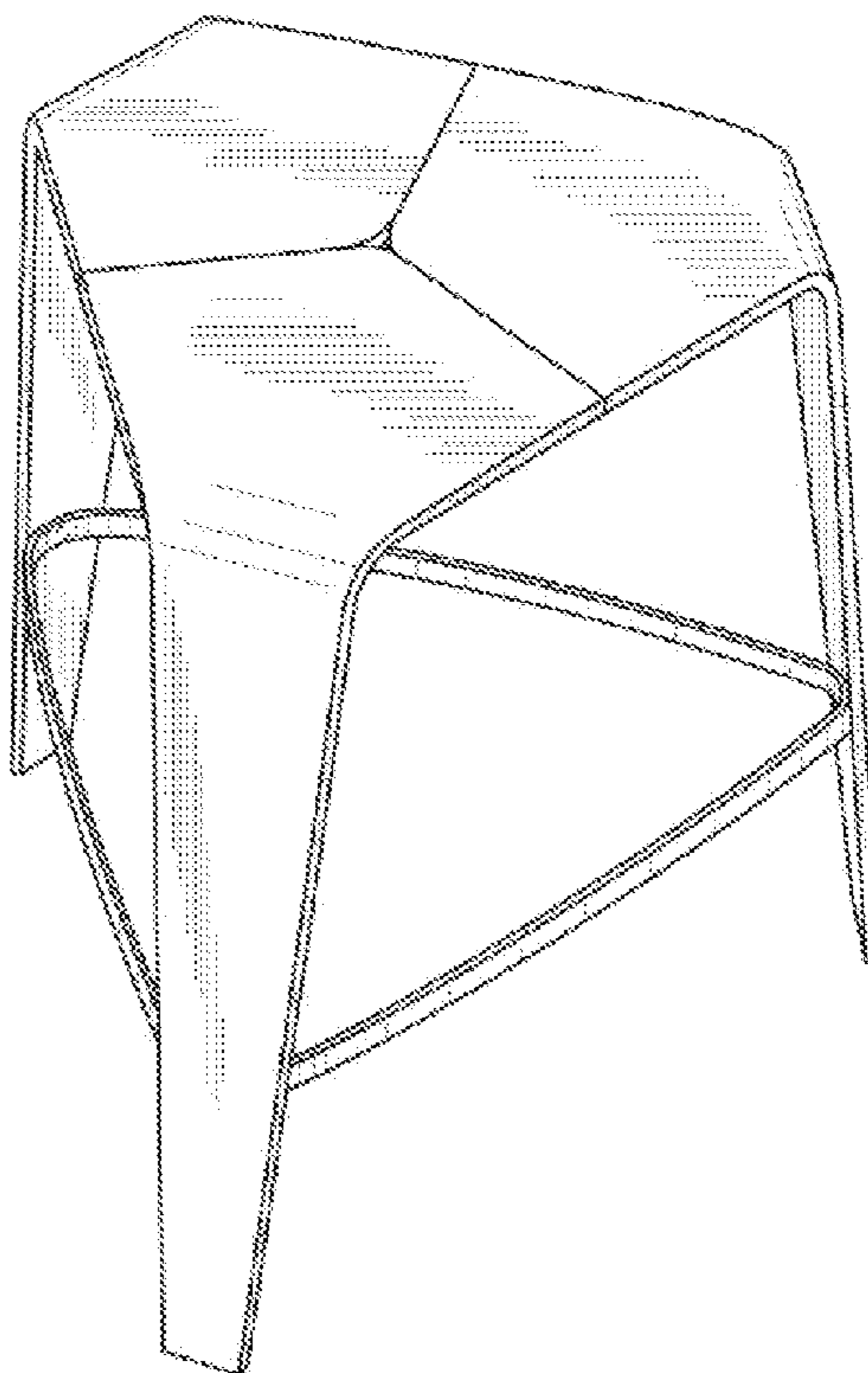
(57) **CLAIM**

The ornamental design for a bar stool, as shown and described.

**DESCRIPTION**

FIG. 1 is a front top right perspective of our new design; FIG. 2 is a left elevation view thereof; FIG. 3 is a side rear elevation view thereof; and, FIG. 4 is a top plan view thereof.

**1 Claim, 3 Drawing Sheets**



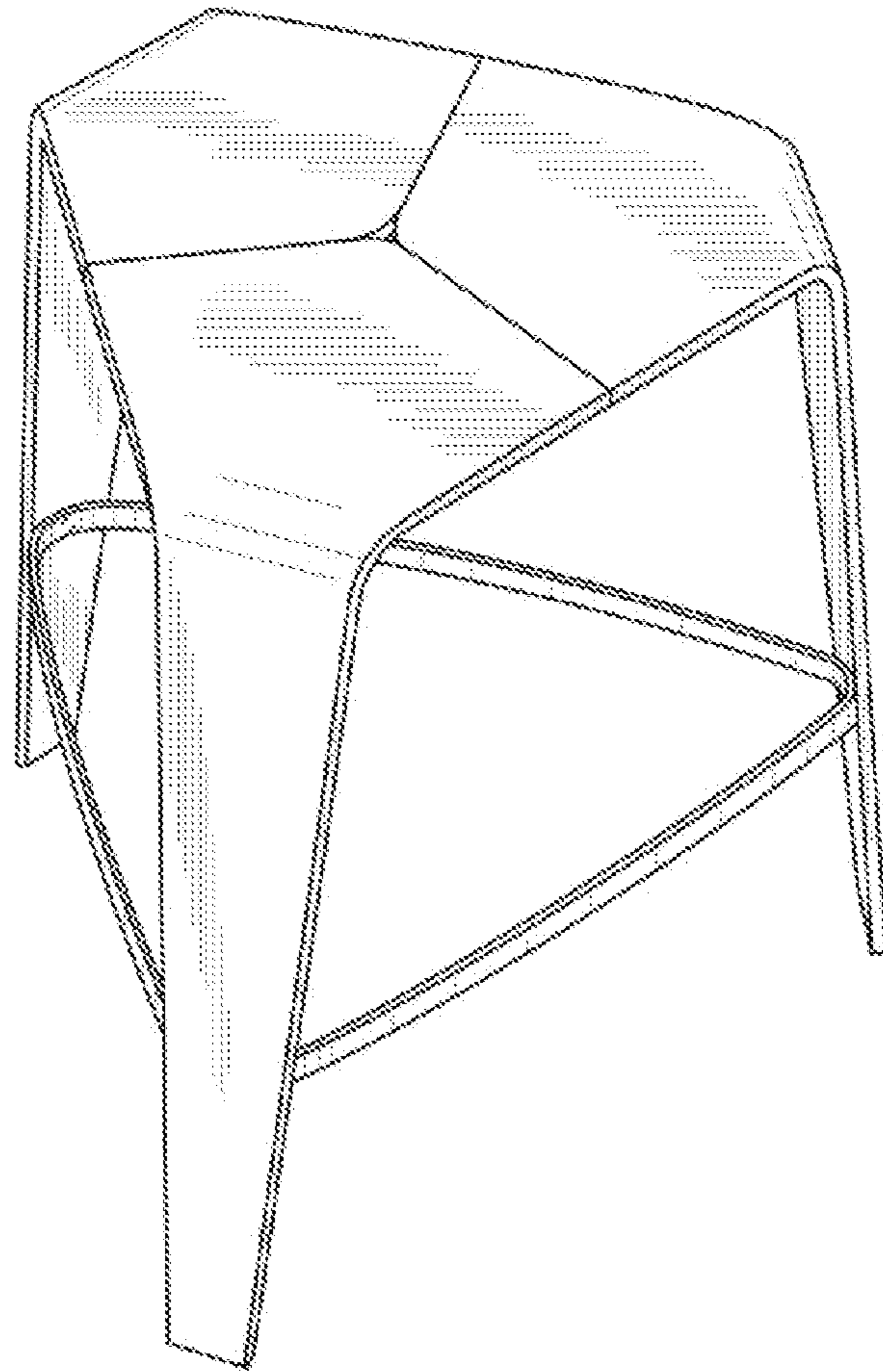


FIG. 1

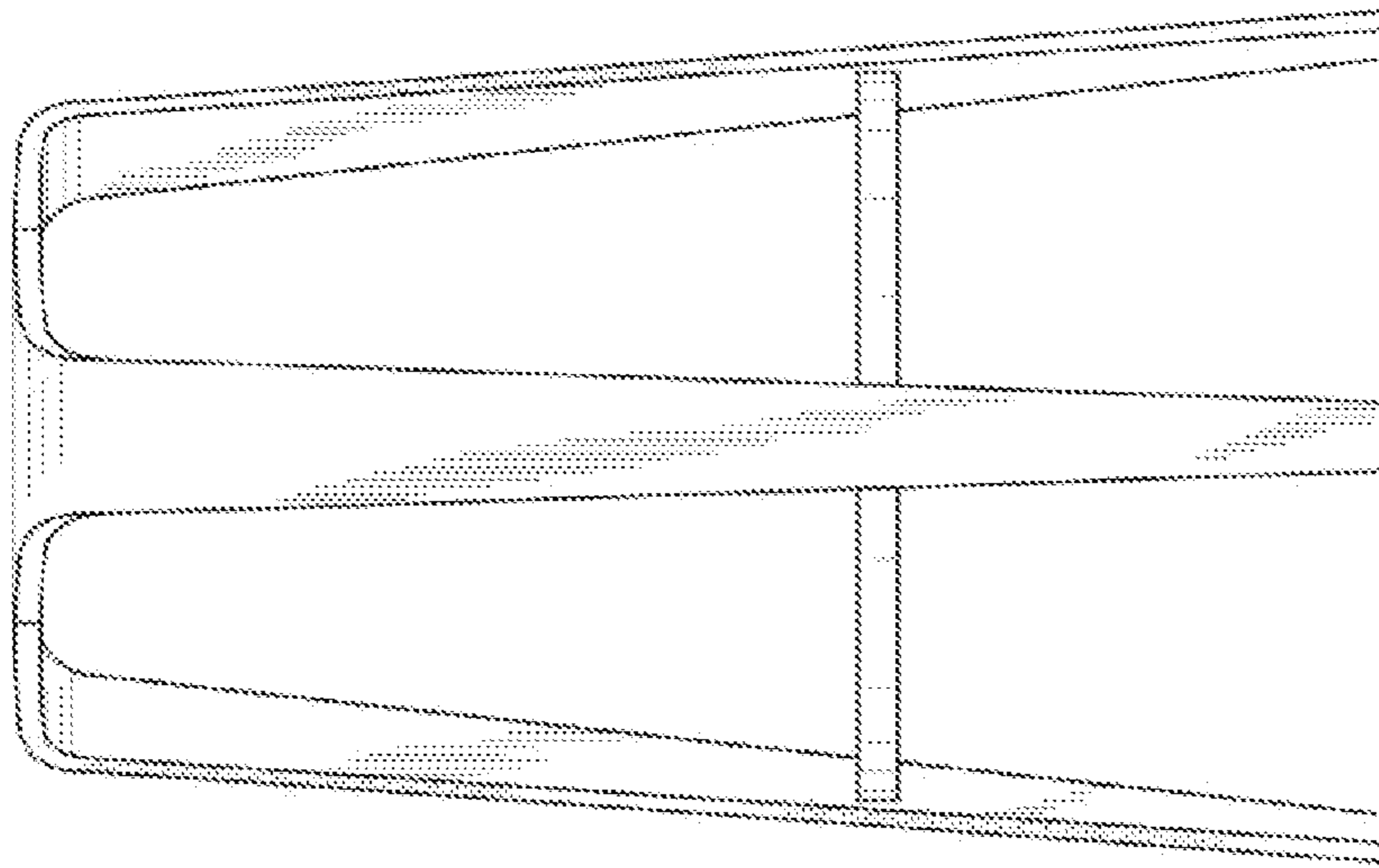


FIG. 3

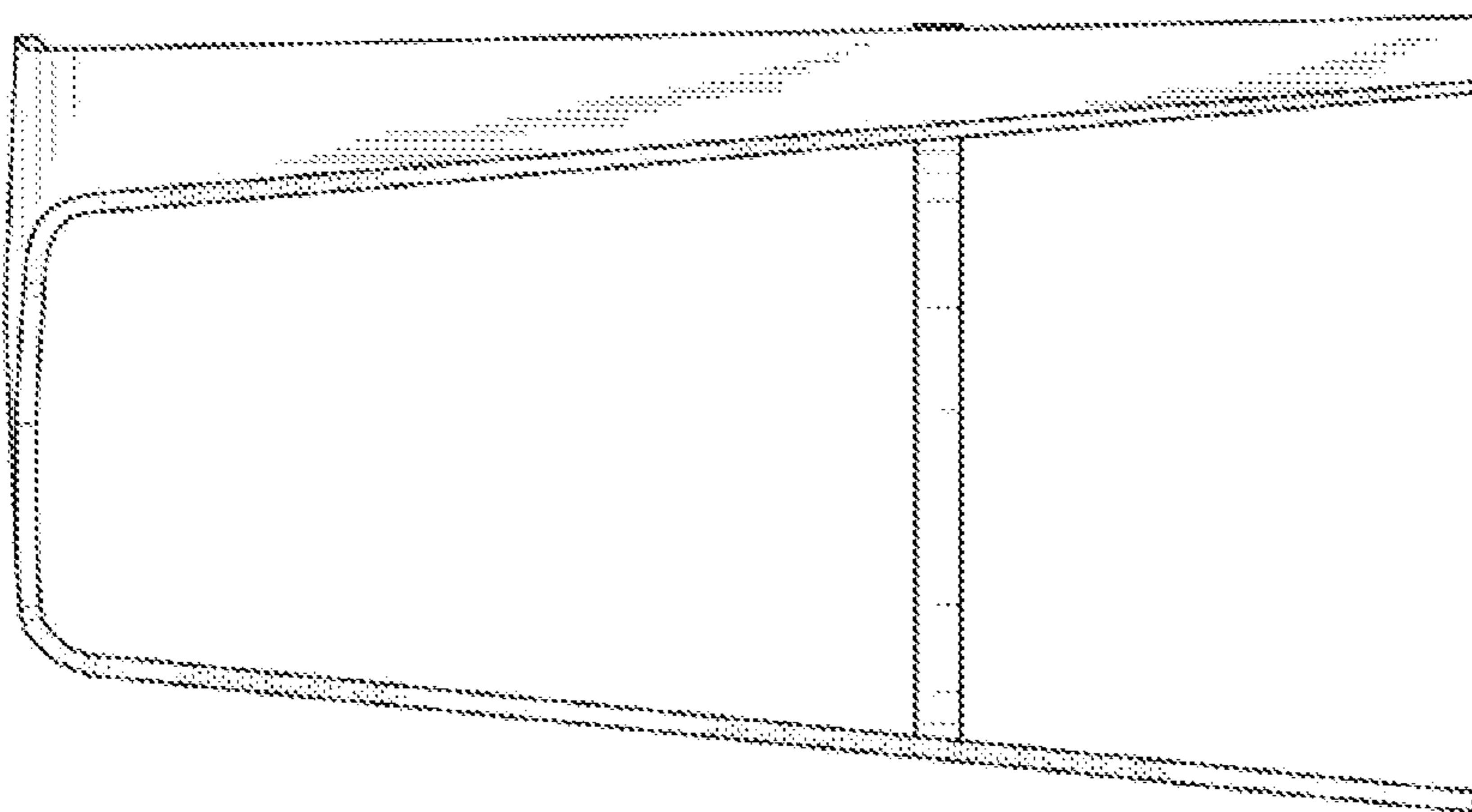


FIG. 2

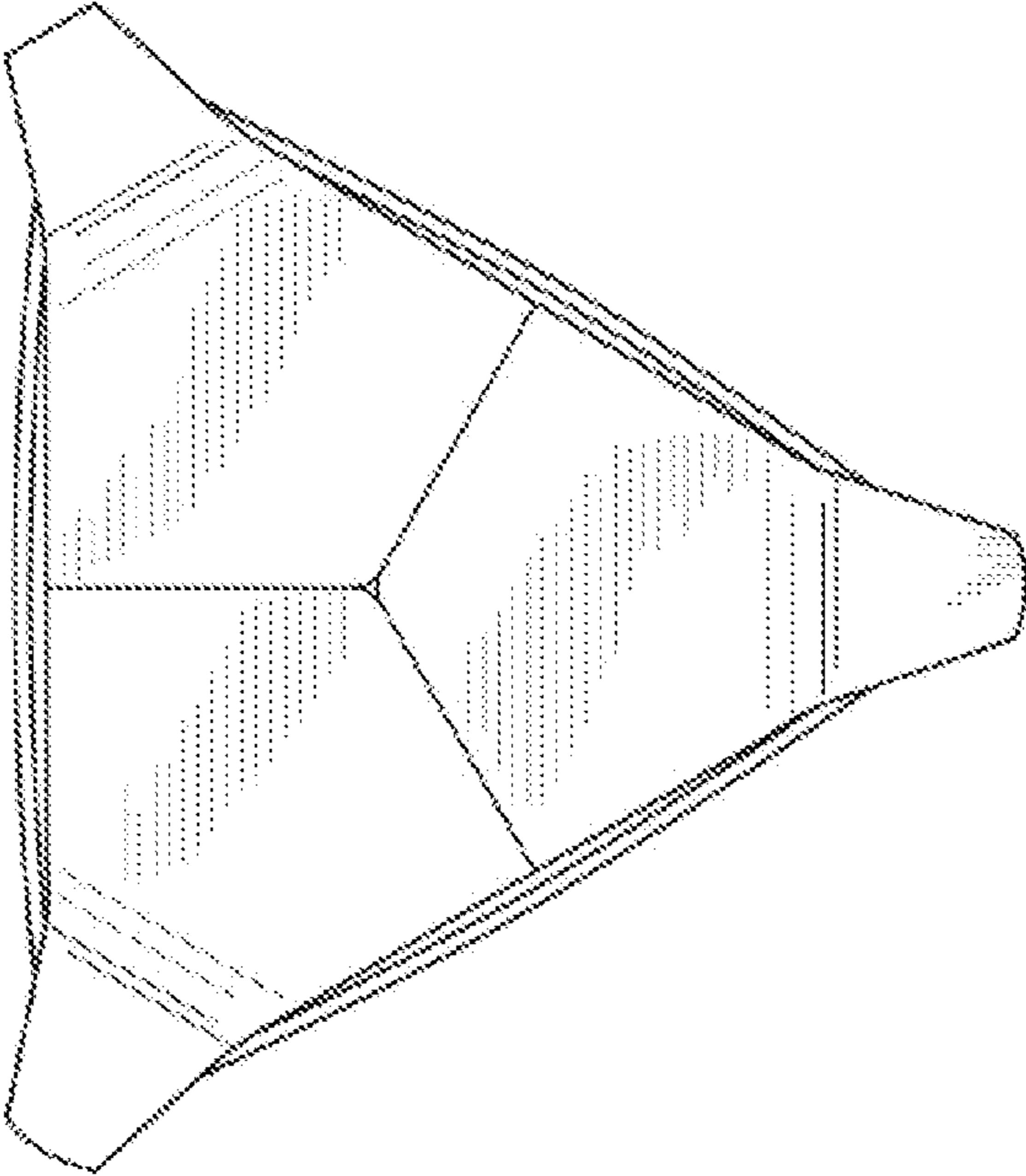


FIG. 4