



US00D695030S

(12) **United States Design Patent**  
**Buitendag**

(10) **Patent No.:** **US D695,030 S**

(45) **Date of Patent:** **\*\* Dec. 10, 2013**

(54) **BOOSTER SEAT**

(71) Applicant: **Johan Nicolaas Buitendag**, Pretoria  
(ZA)

(72) Inventor: **Johan Nicolaas Buitendag**, Pretoria  
(ZA)

(\*\*) Term: **14 Years**

(21) Appl. No.: **29/446,348**

(22) Filed: **Feb. 22, 2013**

(30) **Foreign Application Priority Data**

Sep. 19, 2012 (ZA) ..... A2012/01667

(51) **LOC (9) Cl.** ..... **06-01**

(52) **U.S. Cl.**  
USPC ..... **D6/333**

(58) **Field of Classification Search**  
USPC ..... D6/333-335, 339, 344, 702, 716,  
D6/716.1-716.7; 297/250.1, 255, 256.15,  
297/256.1, 183.1-183.4, 184.13, 184.17,  
297/467, 487, 488, 445.1; 5/94, 98.2, 103,  
5/104, 655, 655.3, 93.1, 99.1, 98.1, 12.1;  
D12/129-130, 133; D21/419, 412;  
280/30-31; 24/200, 211

See application file for complete search history.

(56) **References Cited**

U.S. PATENT DOCUMENTS

D230,784 S *	3/1974	Turco .....	D6/335
D376,920 S *	12/1996	Wood .....	D6/333
D553,865 S *	10/2007	Buitendach .....	D6/333
D592,865 S *	5/2009	Yeung .....	D6/333
D623,426 S *	9/2010	Ramer et al. ....	D6/333
D658,394 S *	5/2012	Debevec et al. ....	D6/333
D660,607 S *	5/2012	Dai .....	D6/333
D675,034 S *	1/2013	Beda et al. ....	D6/333

\* cited by examiner

*Primary Examiner* — Caron D Veynar

*Assistant Examiner* — Abraham Bahta

(74) *Attorney, Agent, or Firm* — Ladas & Parry LLP

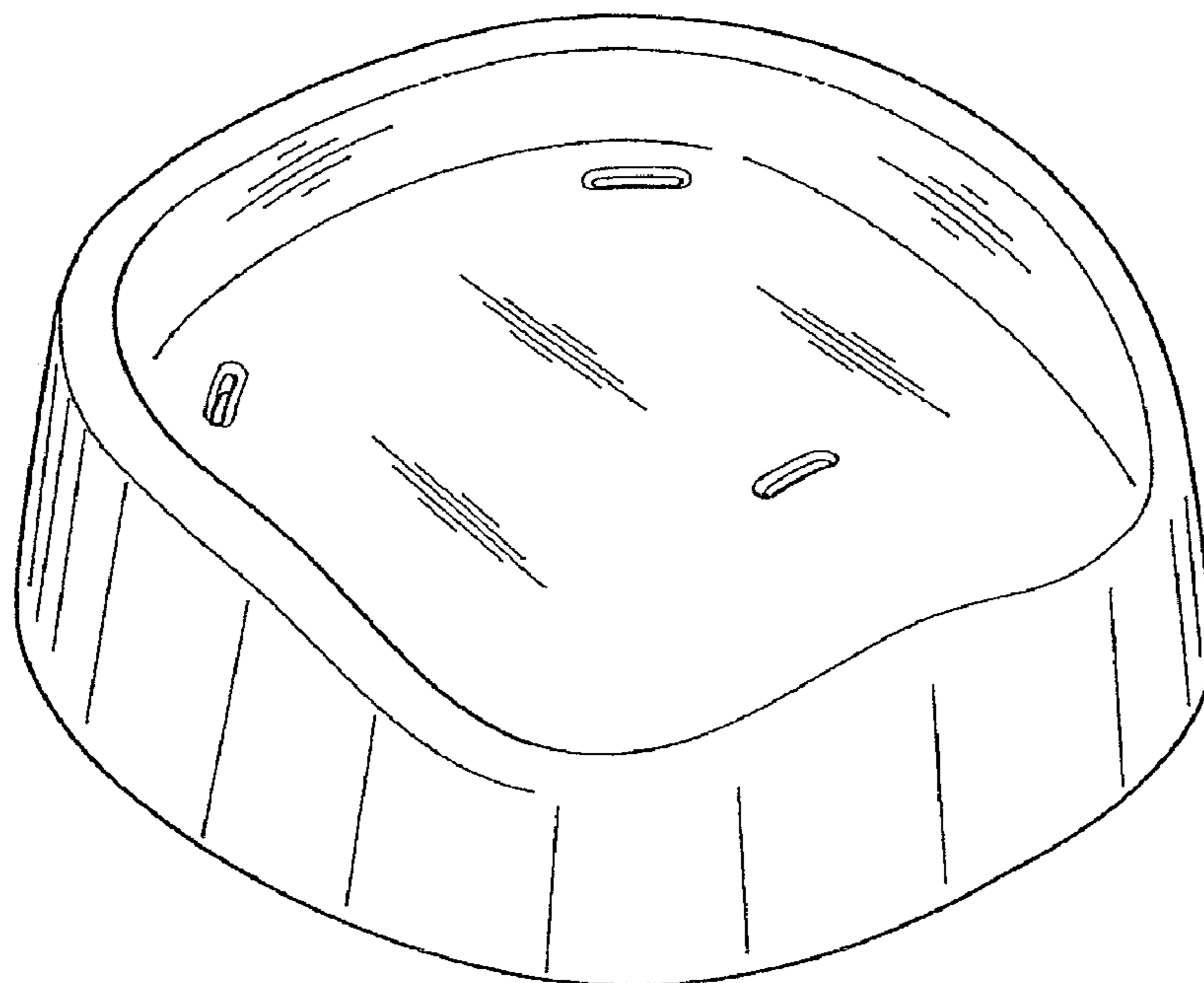
(57) **CLAIM**

The ornamental design for a booster seat, as shown and described.

**DESCRIPTION**

FIG. 1 is a perspective view from the front, top, and left side of the booster seat embodying my new design; FIG. 2 is a top plan view thereof; FIG. 3 is a bottom plan view thereof; FIG. 4 is a right side elevational view thereof; FIG. 5 is a left side elevational view thereof; FIG. 6 is a front elevational view thereof; and, FIG. 7 is a rear elevational view thereof. The dotted line portions in FIG. 3 are by way of illustration only and do not form a part of the claimed design.

**1 Claim, 4 Drawing Sheets**



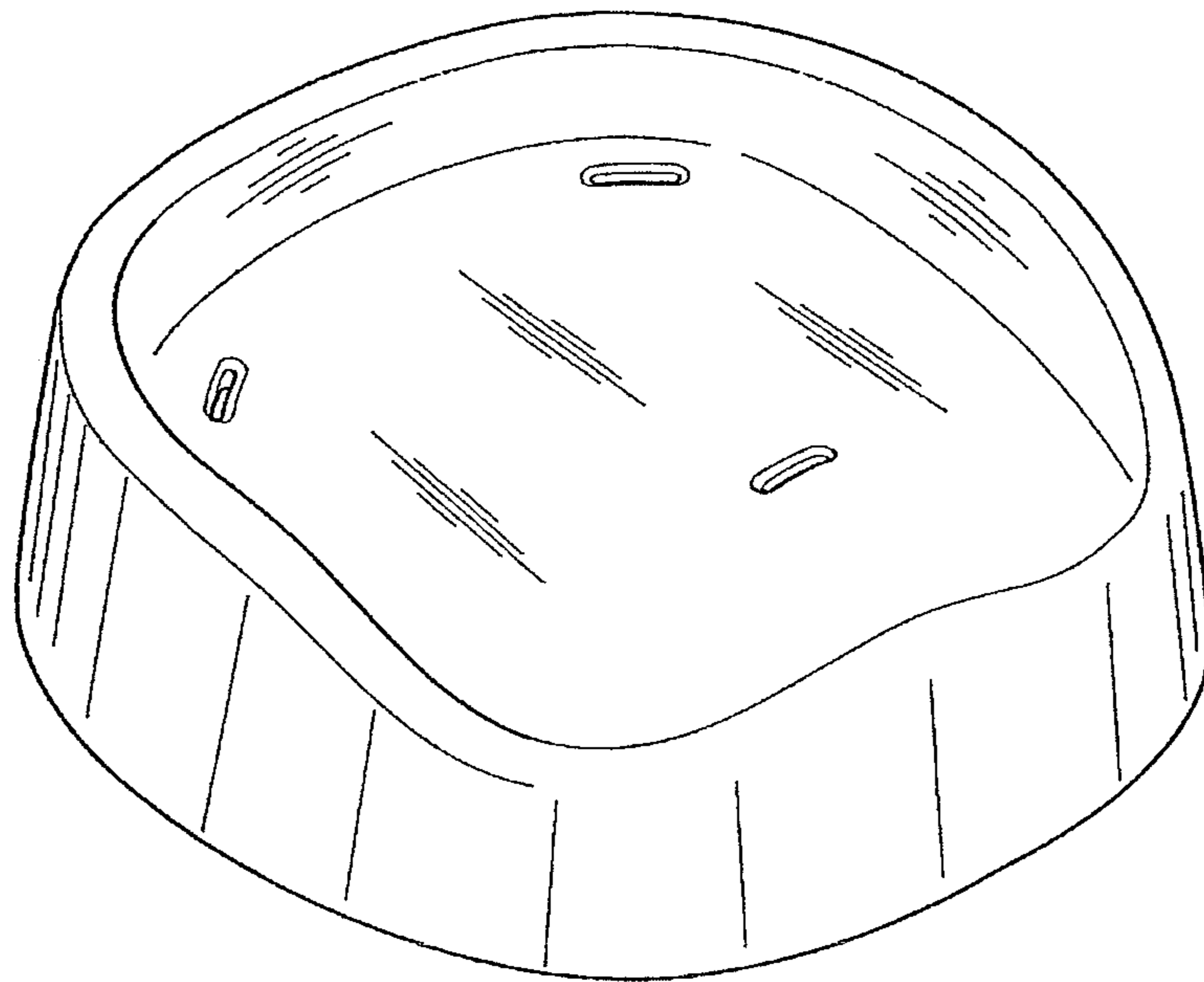
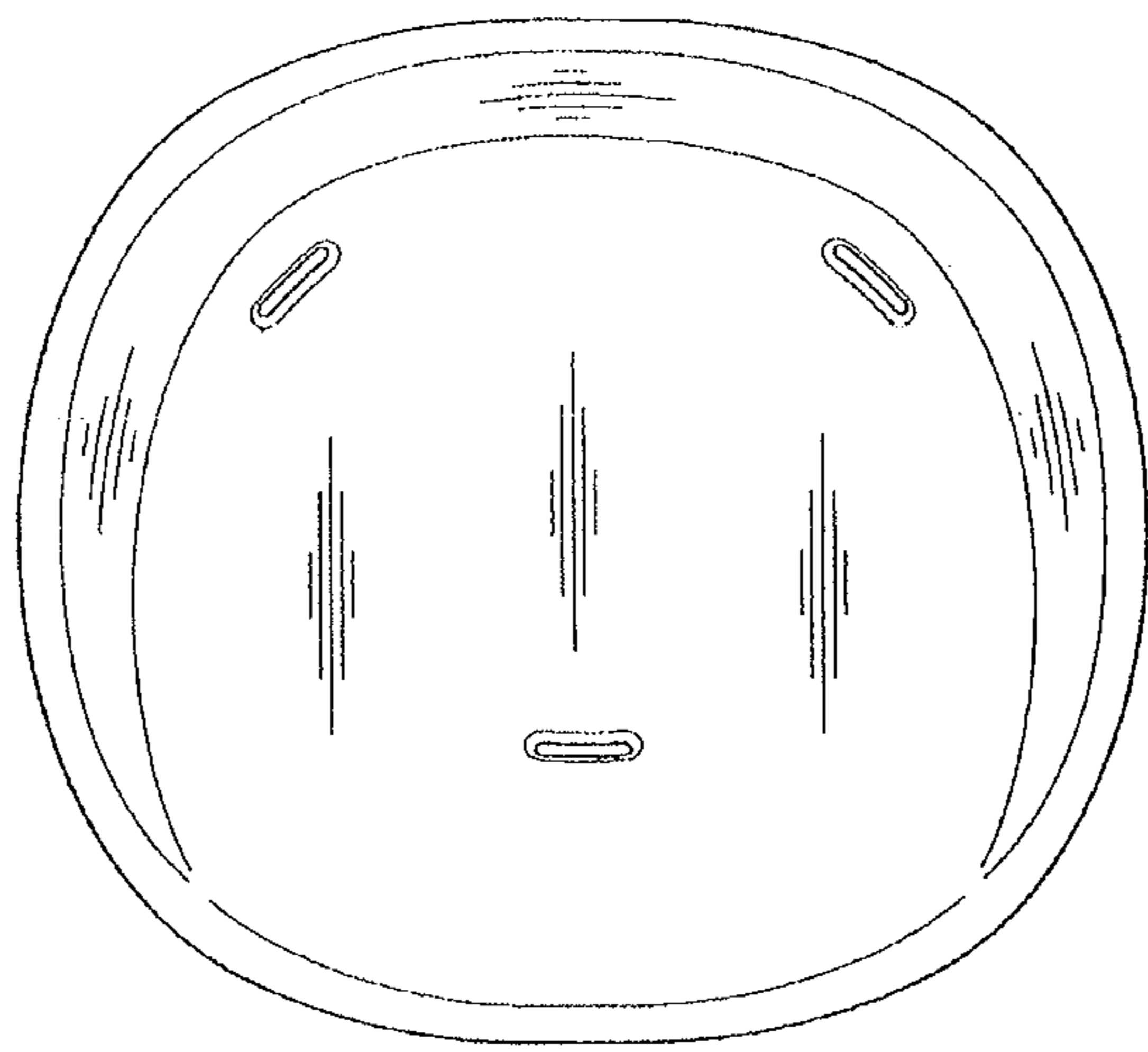
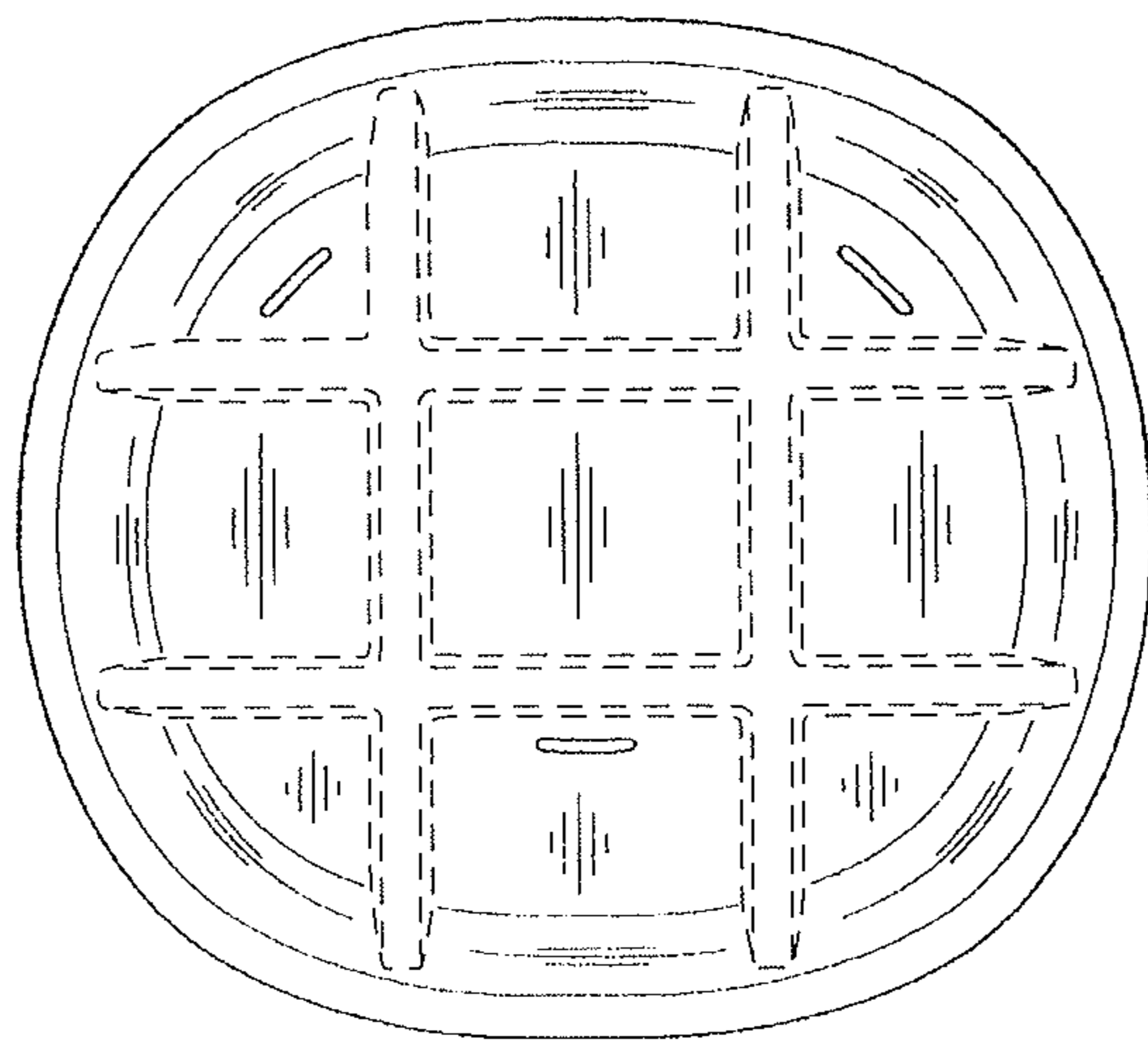


FIG. 1



**FIG. 2**



**FIG. 3**

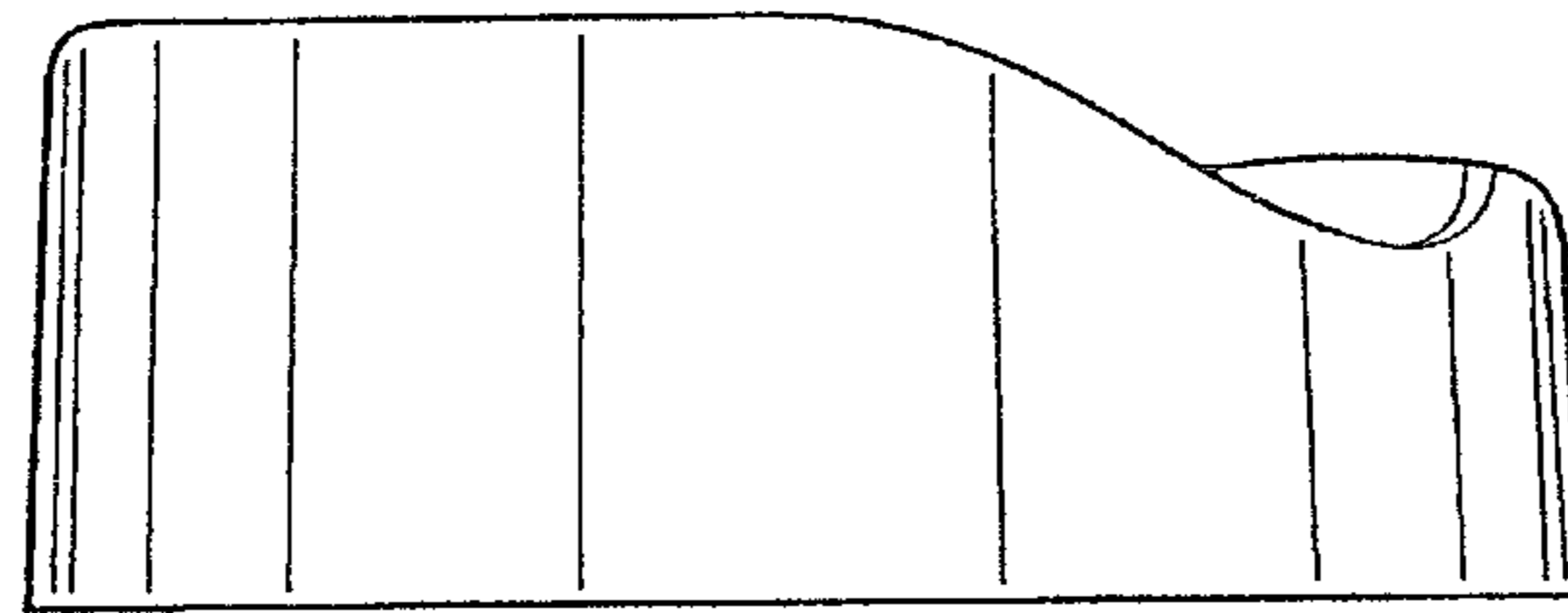


FIG. 4

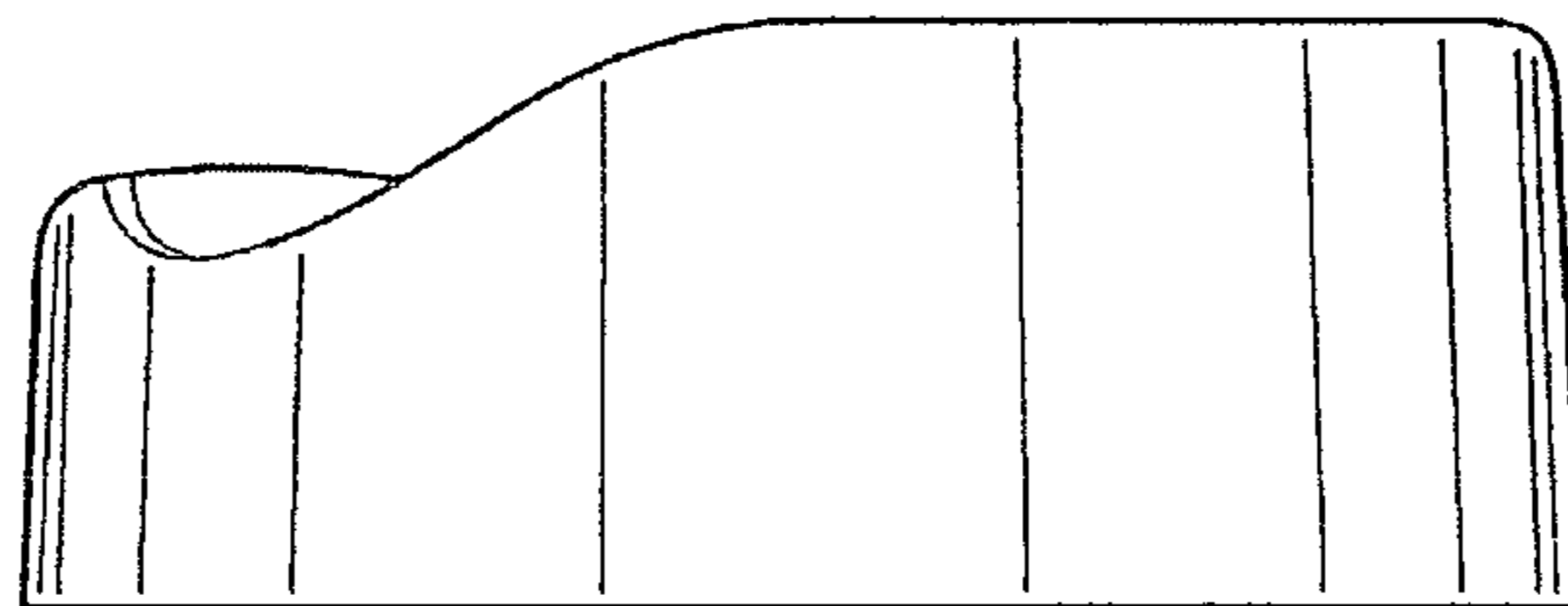


FIG. 5

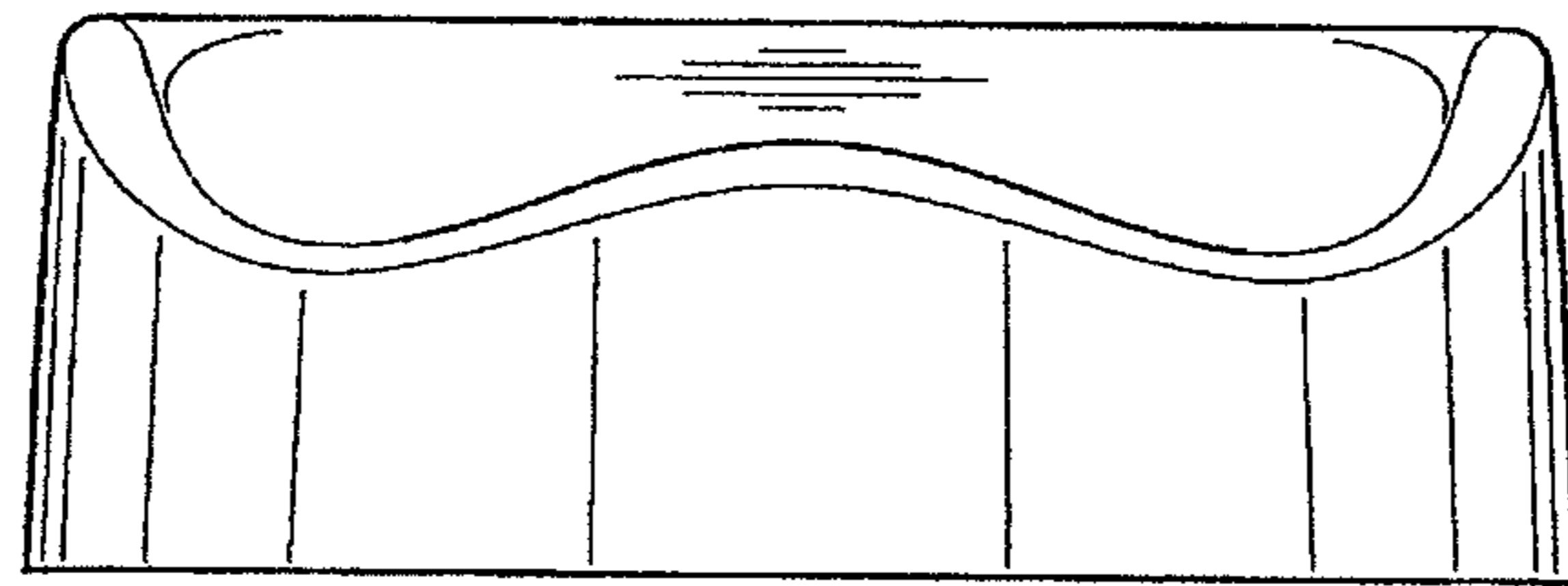


FIG. 6

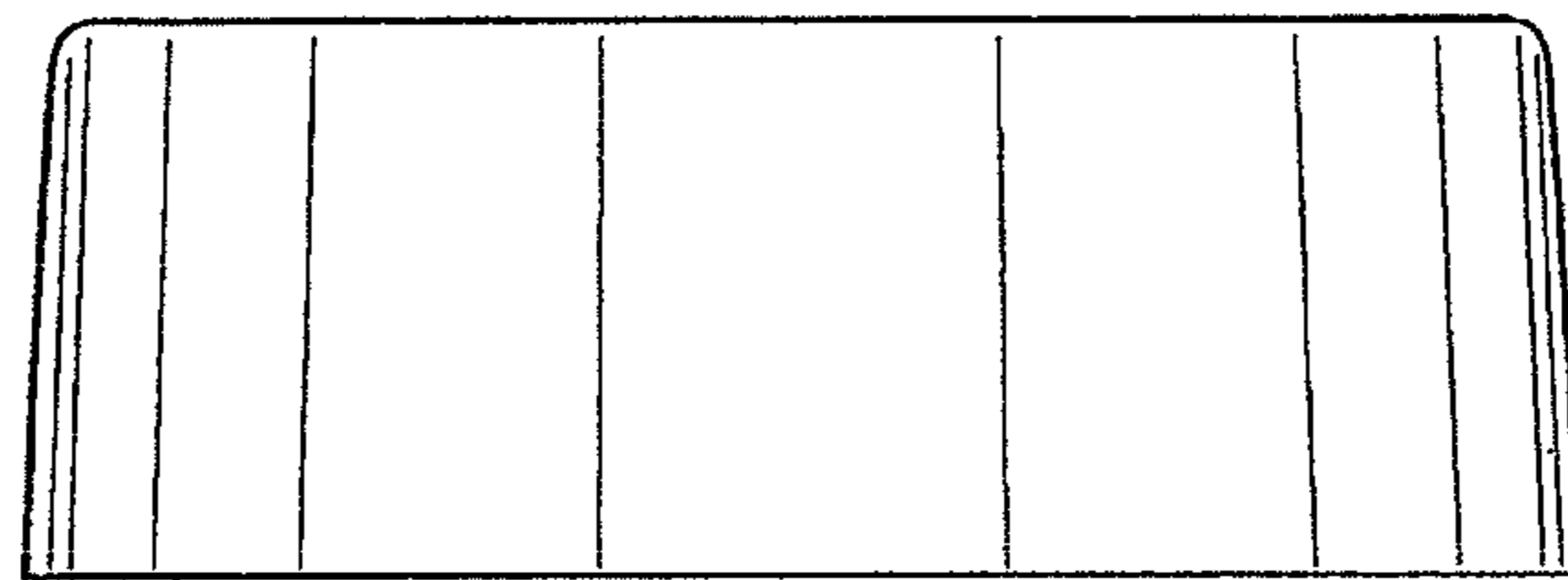


FIG. 7