



US00D695028S

(12) **United States Design Patent**
Hagerty

(10) **Patent No.:** **US D695,028 S**

(45) **Date of Patent:** **** Dec. 10, 2013**

(54) **CARD OR PHOTOGRAPH STAND FORMED FROM A BASEBALL BAT**

(71) Applicant: **Michael E. Hagerty**, North Easton, MA (US)

(72) Inventor: **Michael E. Hagerty**, North Easton, MA (US)

(73) Assignee: **Michael E. Hagerty**, North Easton, MA (US)

(**) Term: **14 Years**

(21) Appl. No.: **29/434,425**

(22) Filed: **Oct. 12, 2012**

(51) **LOC (9) Cl.** **06-07**

(52) **U.S. Cl.**
USPC **D6/310**

(58) **Field of Classification Search**
USPC D6/332, 303, 314, 702, 310; D7/304; 211/33; D27/108; 160/84.06; D8/378, D8/38; 473/564, 566; D21/725; D14/403
See application file for complete search history.

(56) **References Cited**

U.S. PATENT DOCUMENTS

1,706,680	A *	3/1929	Smith	473/564
2,458,919	A *	1/1949	Marsden	473/564
5,678,698	A *	10/1997	Cabral	211/33
6,146,291	A *	11/2000	Nydigger	473/566
D473,628	S *	4/2003	Tracy	D23/201
D478,593	S *	8/2003	Heard et al.	D14/403

D482,749	S *	11/2003	Gumpel	D21/725
D560,261	S *	1/2008	Satloff	D21/725
D595,514	S *	7/2009	Feldpausch et al.	D6/332
D605,889	S *	12/2009	Ewertsen et al.	D7/304
D640,105	S *	6/2011	Benz	D8/38
7,972,229	B2 *	7/2011	MacDougall	473/564
8,365,798	B2 *	2/2013	Feldpausch et al.	160/84.06
8,409,038	B2 *	4/2013	MacDougall	473/564
D684,454	S *	6/2013	Sutherland et al.	D8/378
2007/0072710	A1 *	3/2007	Lo	473/564

* cited by examiner

Primary Examiner — Cathron Brooks

Assistant Examiner — Sydney R Buffalow

(74) *Attorney, Agent, or Firm* — Choate, Hall & Stewart LLP; Charles E. Lyon; Daniel S. Matthews

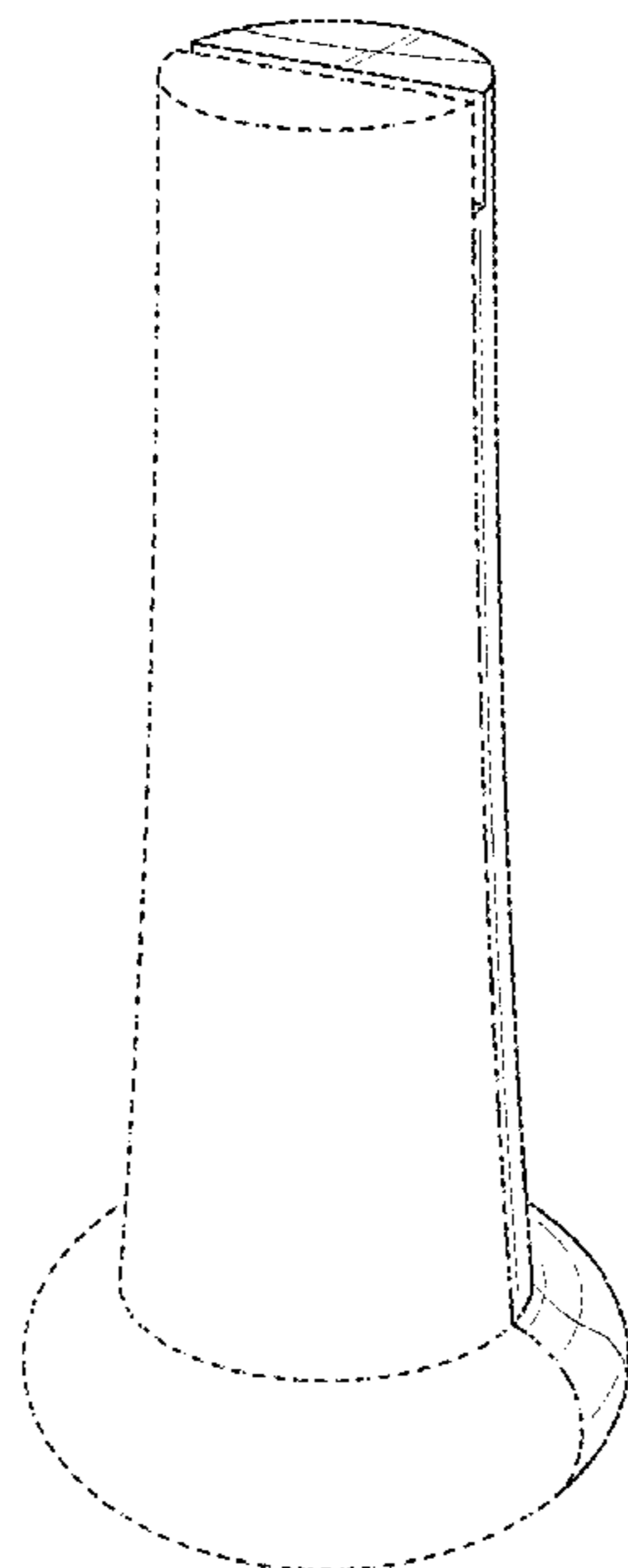
(57) **CLAIM**

The ornamental design for a card or photograph stand formed from a baseball bat, as shown and described.

DESCRIPTION

FIG. 1 is a perspective view of an embodiment of a stand for holding a card or photograph, showing my new design; FIG. 2 is a front view thereof; FIG. 3 is a rear view thereof; FIG. 4 is a right side view thereof; FIG. 5 is a left side view thereof; FIG. 6 is a top view thereof; FIG. 7 is a bottom view thereof; and, FIG. 8 is a perspective view thereof. The broken lines shown are included for the purpose of illustrating portions of the stand that form no part of the claimed design.

1 Claim, 7 Drawing Sheets



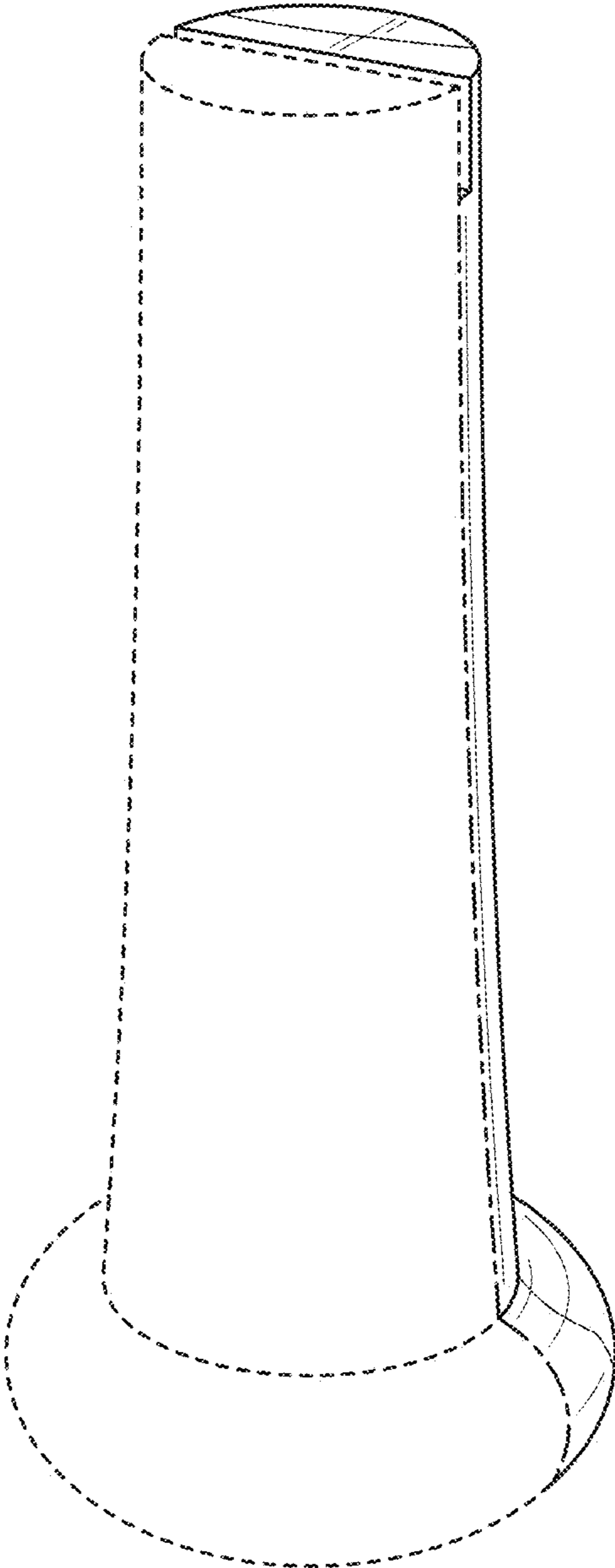


FIG. 1

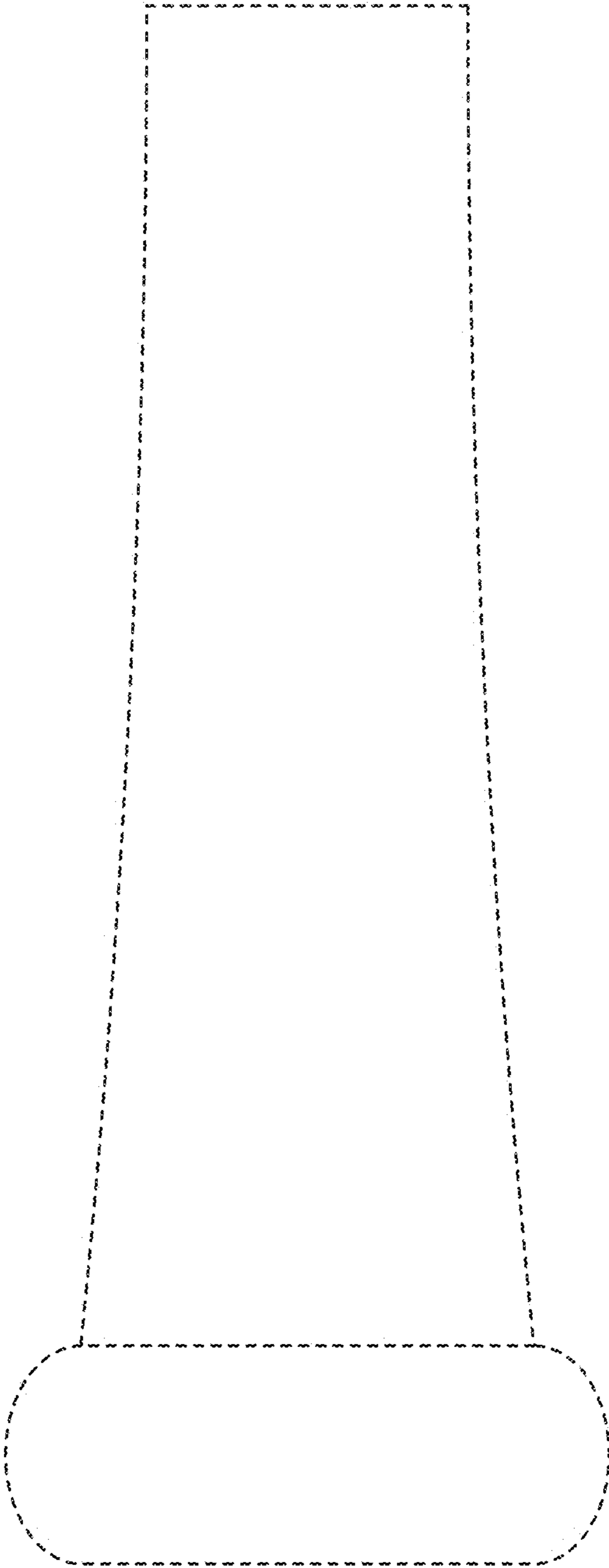


FIG. 2

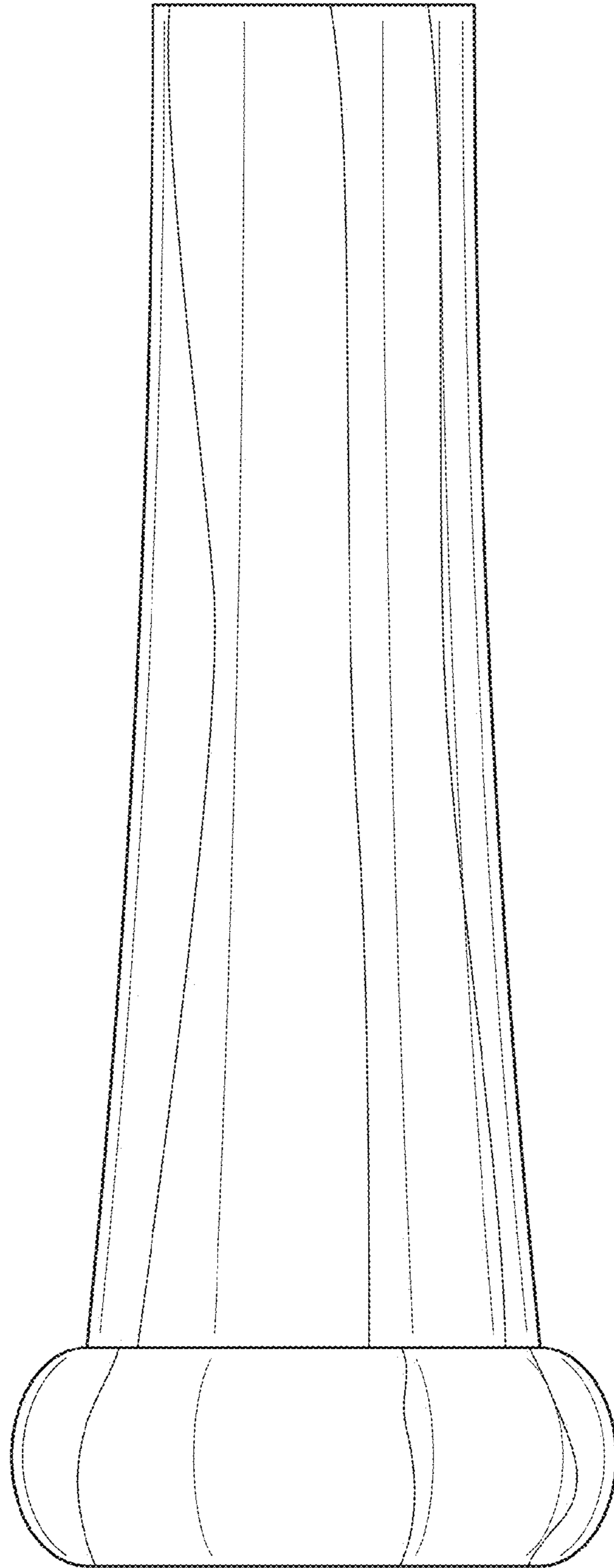


FIG. 3

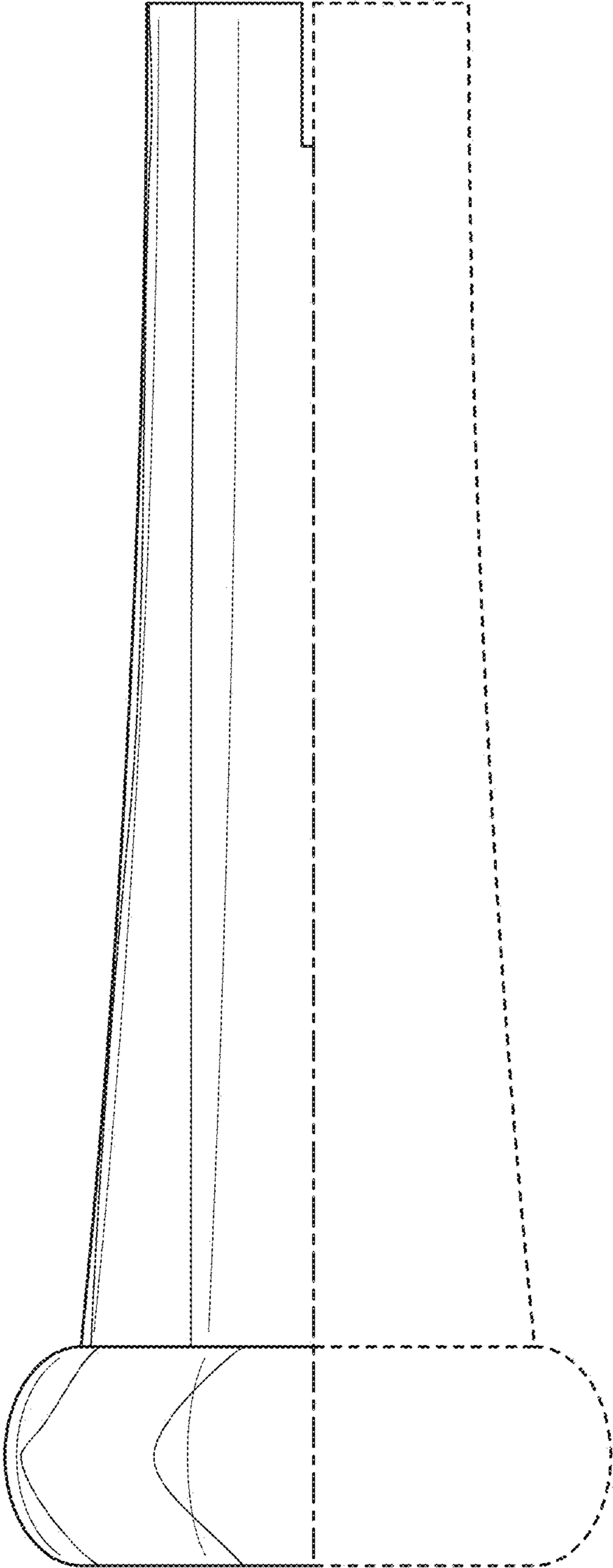


FIG. 4

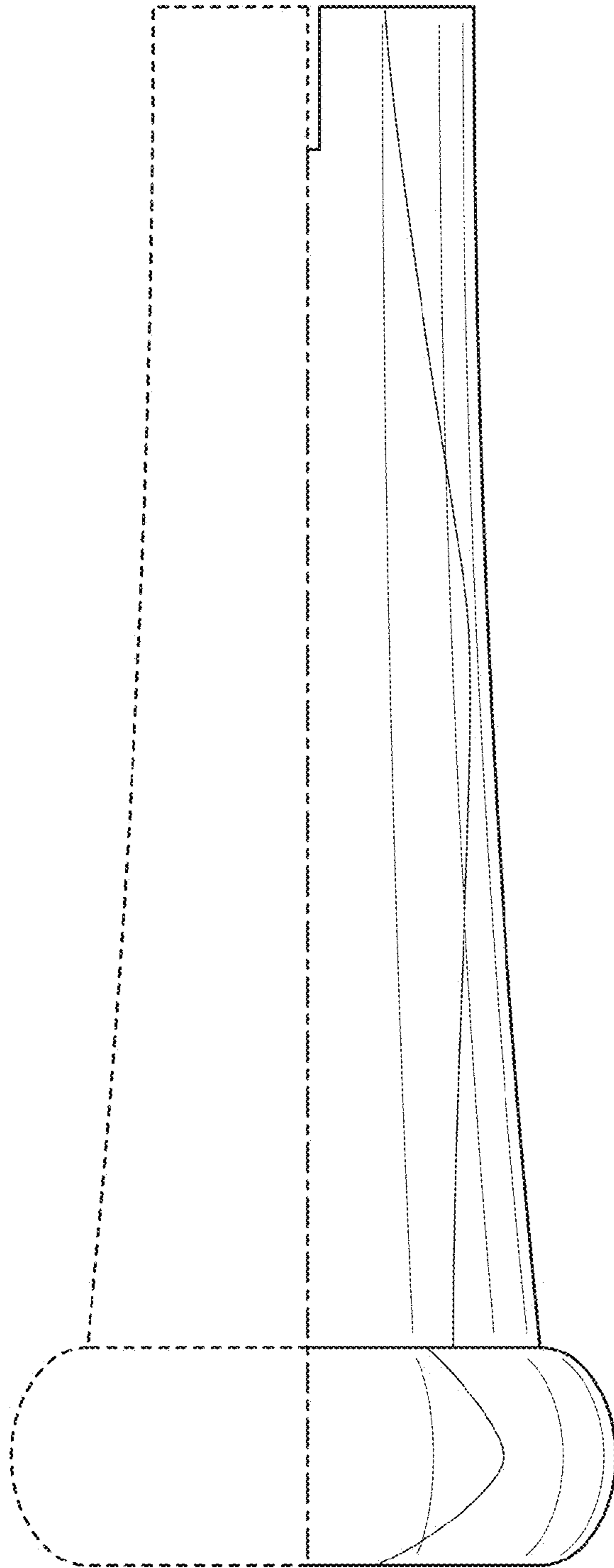


FIG. 5

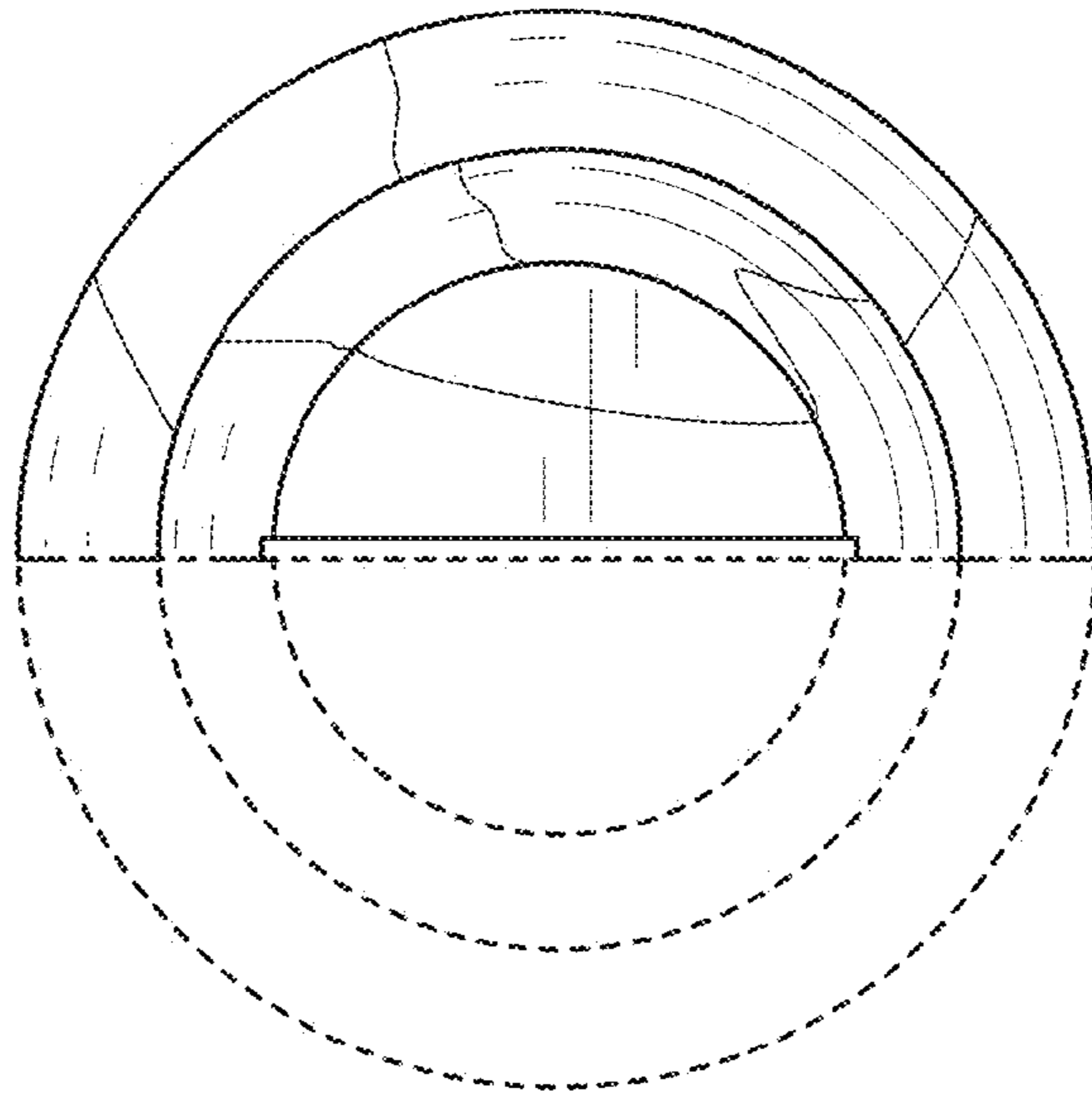


FIG. 6

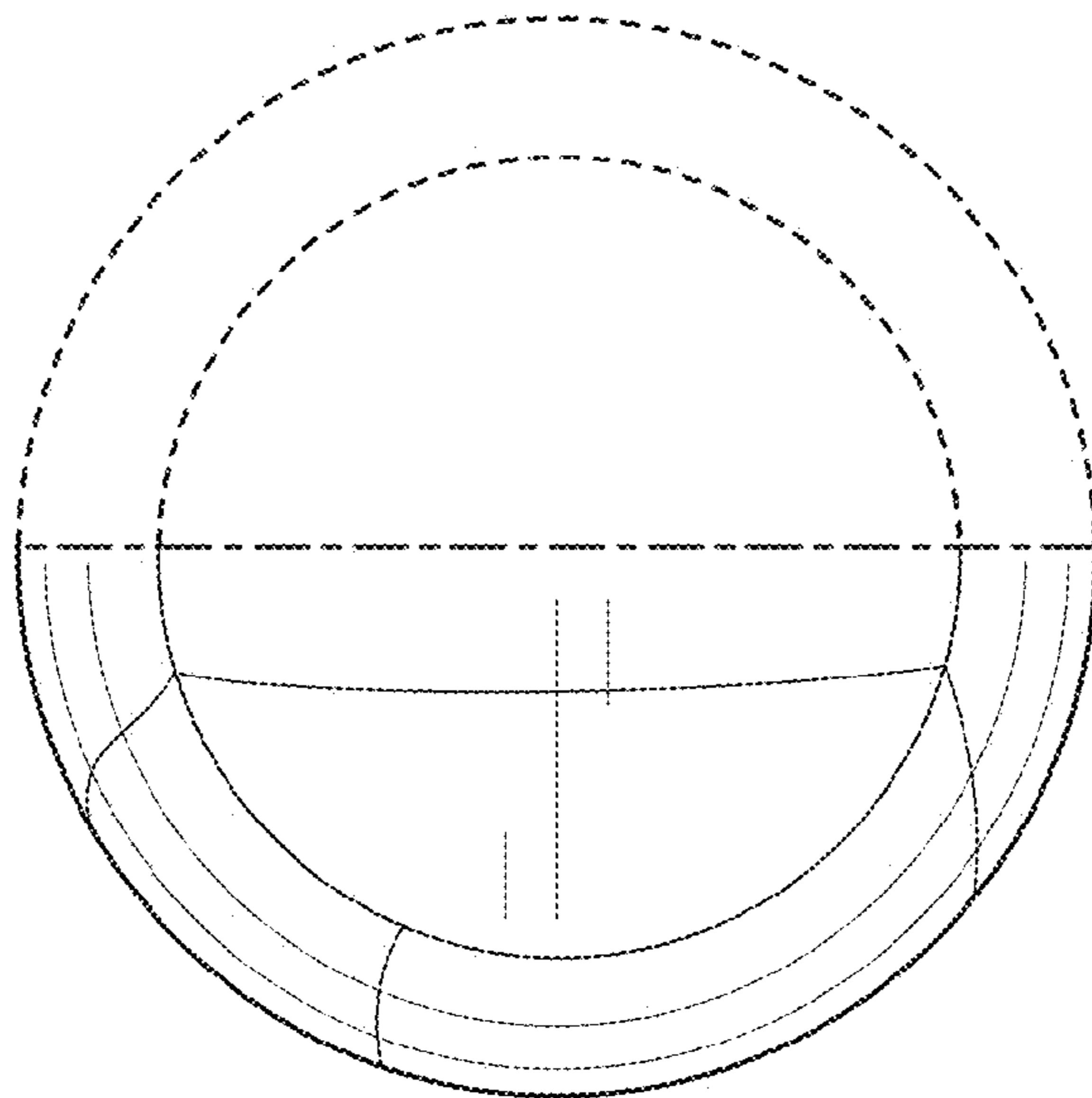


FIG. 7

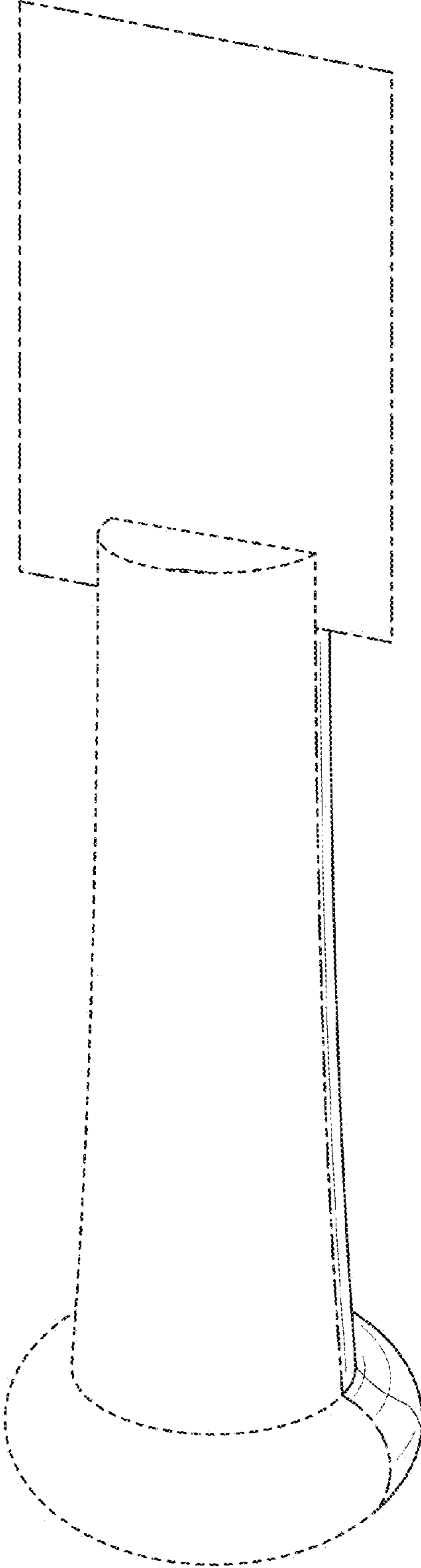


FIG. 8