

US00D695027S

(12) **United States Design Patent**  
**Zadro**

(10) **Patent No.:** **US D695,027 S**  
(45) **Date of Patent:** **\*\* Dec. 10, 2013**

(54) **FOGLESS SHOWER MIRROR AND SUPPORT STAND**

(76) Inventor: **Zlatko Zadro**, Huntington Beach, CA (US)

(\*\*) Term: **14 Years**

(21) Appl. No.: **29/416,851**

(22) Filed: **Mar. 27, 2012**

(51) **LOC (9) Cl.** ..... **06-07**

(52) **U.S. Cl.**  
USPC ..... **D6/300**

(58) **Field of Classification Search**  
USPC ..... D6/300–314, 525–526, 534, 540, 553;  
40/597, 700; 248/467; D14/141.2, 126,  
D14/189; D19/52, 90  
See application file for complete search history.

(56) **References Cited**

U.S. PATENT DOCUMENTS

1,931,378	A	*	10/1933	Fancher	.....	434/417
4,529,278	A	*	7/1985	Nugent	.....	359/870
D280,574	S	*	9/1985	Kladitis	.....	D6/300
D320,991	S	*	10/1991	Nagai et al.	.....	D14/251
D321,885	S	*	11/1991	Sheldrake	.....	D14/253
D328,909	S	*	8/1992	Sakurai	.....	D16/135
D336,375	S	*	6/1993	Cohn et al.	.....	D6/310
D342,523	S	*	12/1993	Morgan et al.	.....	D14/250
D348,485	S	*	7/1994	Short	.....	D19/90
D359,488	S	*	6/1995	Hui	.....	D14/141.2
D371,137	S	*	6/1996	Kriegh	.....	D14/253
D378,020	S	*	2/1997	Hatt	.....	D3/218
D404,197	S	*	1/1999	Dobbins	.....	D3/230
D410,495	S	*	6/1999	Wear	.....	D19/90
D419,808	S	*	2/2000	Hampshire	.....	D6/553
D454,340	S	*	3/2002	Grimm	.....	D14/240
D465,933	S	*	11/2002	Henderson et al.	.....	D6/309
D469,761	S	*	2/2003	Nussberger	.....	D14/341
D485,306	S	*	1/2004	Sheldon et al.	.....	D19/85
D499,091	S	*	11/2004	Taylor et al.	.....	D14/252

D501,307	S	*	2/2005	Sterns	.....	D3/203.2
D515,310	S	*	2/2006	Liu et al.	.....	D3/218
D521,990	S	*	5/2006	Richter	.....	D14/253
D529,005	S	*	9/2006	Hong	.....	D14/126
D530,686	S	*	10/2006	Reza	.....	D14/126
D535,953	S	*	1/2007	Fujii	.....	D14/126
D539,245	S	*	3/2007	Bischoff	.....	D14/126
D539,584	S	*	4/2007	Slimane	.....	D6/553
D540,760	S	*	4/2007	Macey et al.	.....	D14/126
D547,740	S	*	7/2007	Otani	.....	D14/126
D564,993	S	*	3/2008	Lee	.....	D14/126
D565,538	S	*	4/2008	Bhavnani	.....	D14/189
D605,702	S	*	12/2009	Auberger	.....	D19/52
D618,463	S	*	6/2010	Nagase	.....	D6/310
D649,950	S	*	12/2011	Chiu	.....	D14/126

\* cited by examiner

*Primary Examiner* — Barbara Fox  
*Assistant Examiner* — Sydney R Buffalow  
(74) *Attorney, Agent, or Firm* — William L. Chapin

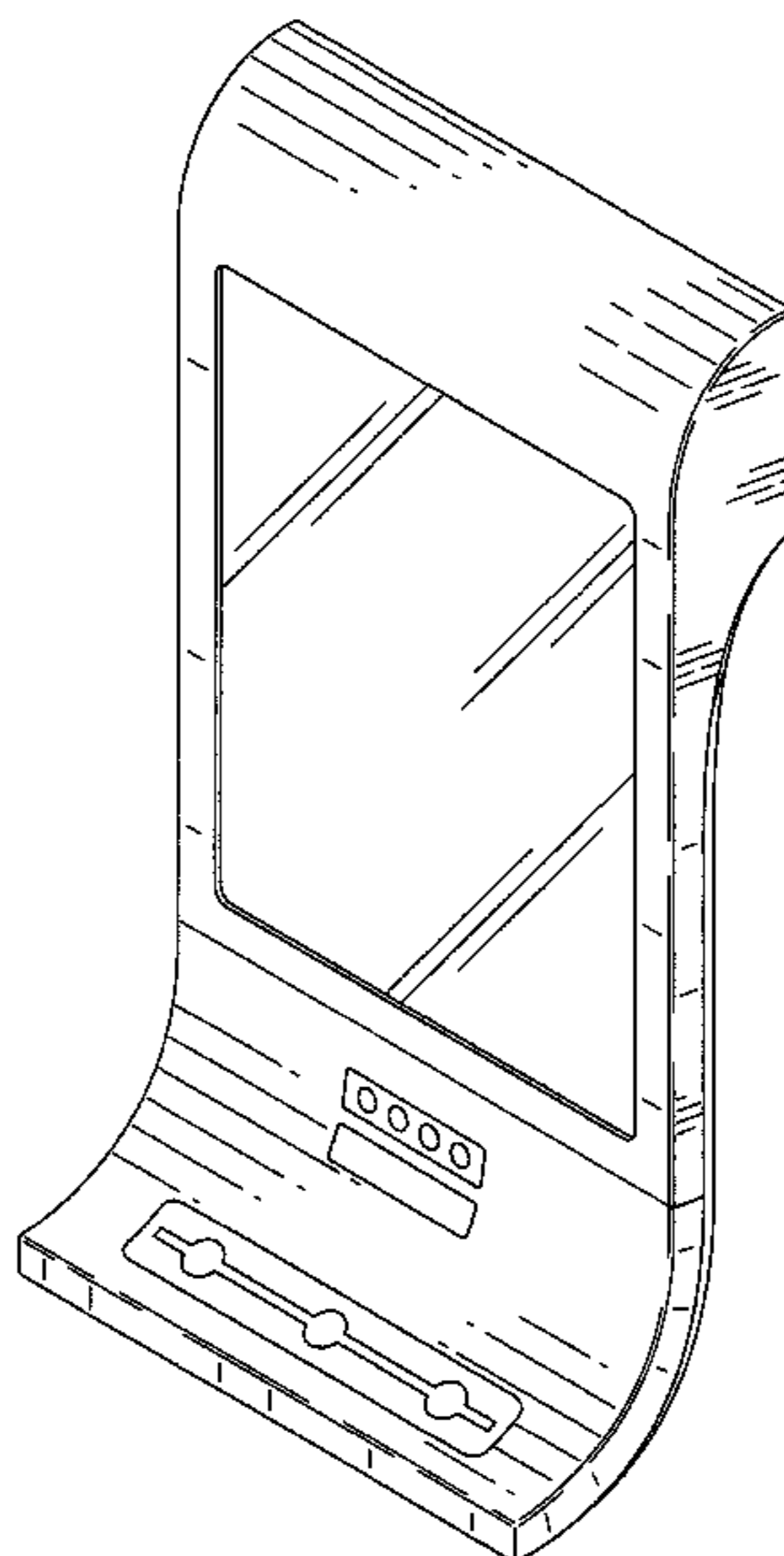
(57) **CLAIM**

The ornamental design for a fogless shower mirror and support stand, as shown and described.

**DESCRIPTION**

FIG. 1 is a front perspective view of a fogless shower mirror and support stand according to the present invention. FIG. 2 is a front elevation view thereof. FIG. 3 is a rear elevation view thereof. FIG. 4 is right side view thereof, the left side elevation view being a mirror image of the right side elevation view. FIG. 5 is an upper plan view thereof. FIG. 6 is lower plan view thereof. FIG. 7 is a side perspective view showing the mirror thereof partially removed from the support stand thereof; and, FIG. 8 is a rear elevation view of the mirror thereof. The broken lines shown in the drawings represent portions of mirror that form no part of the claimed design.

**1 Claim, 6 Drawing Sheets**



*Fig. 1*

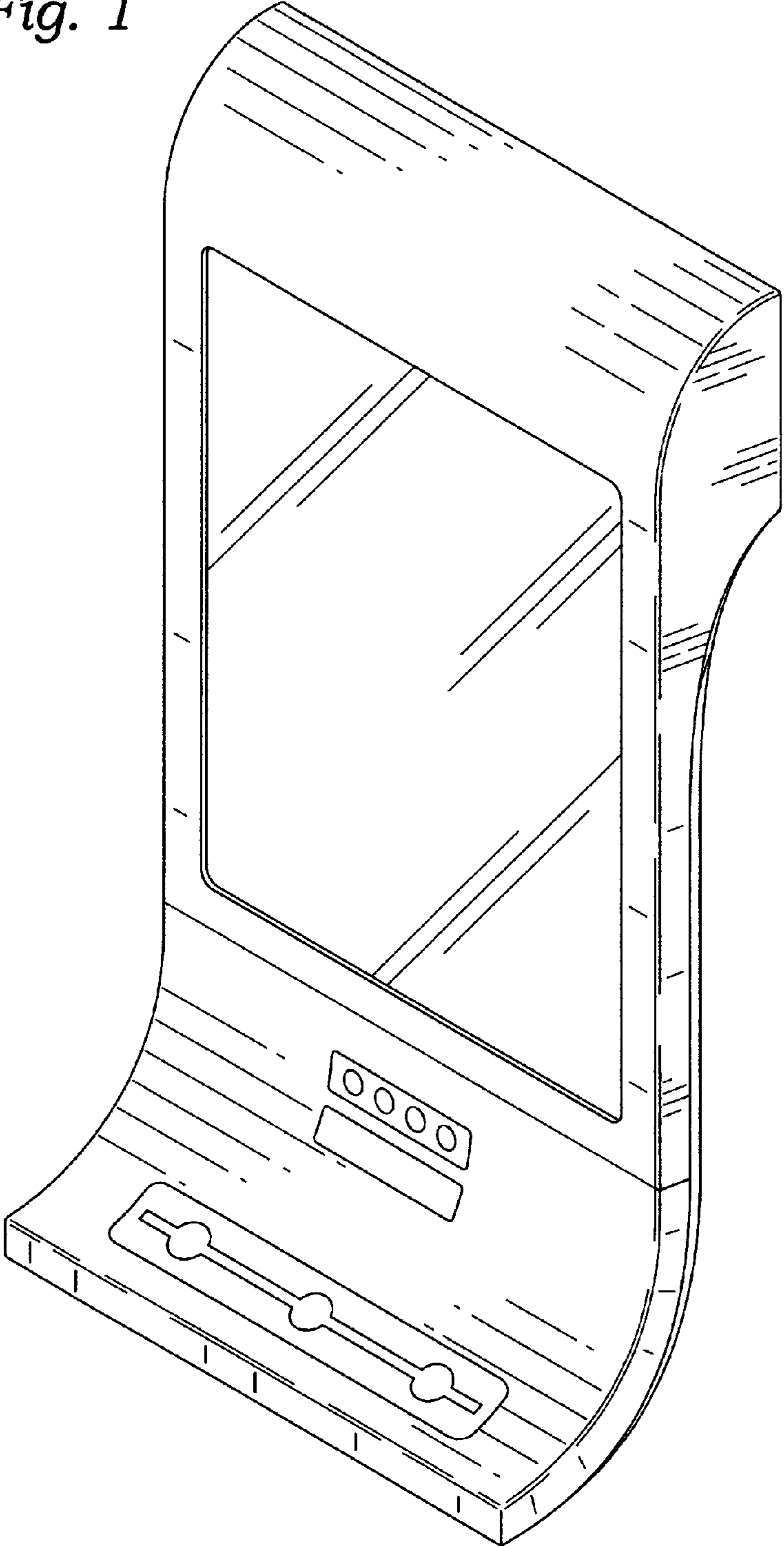


Fig. 3

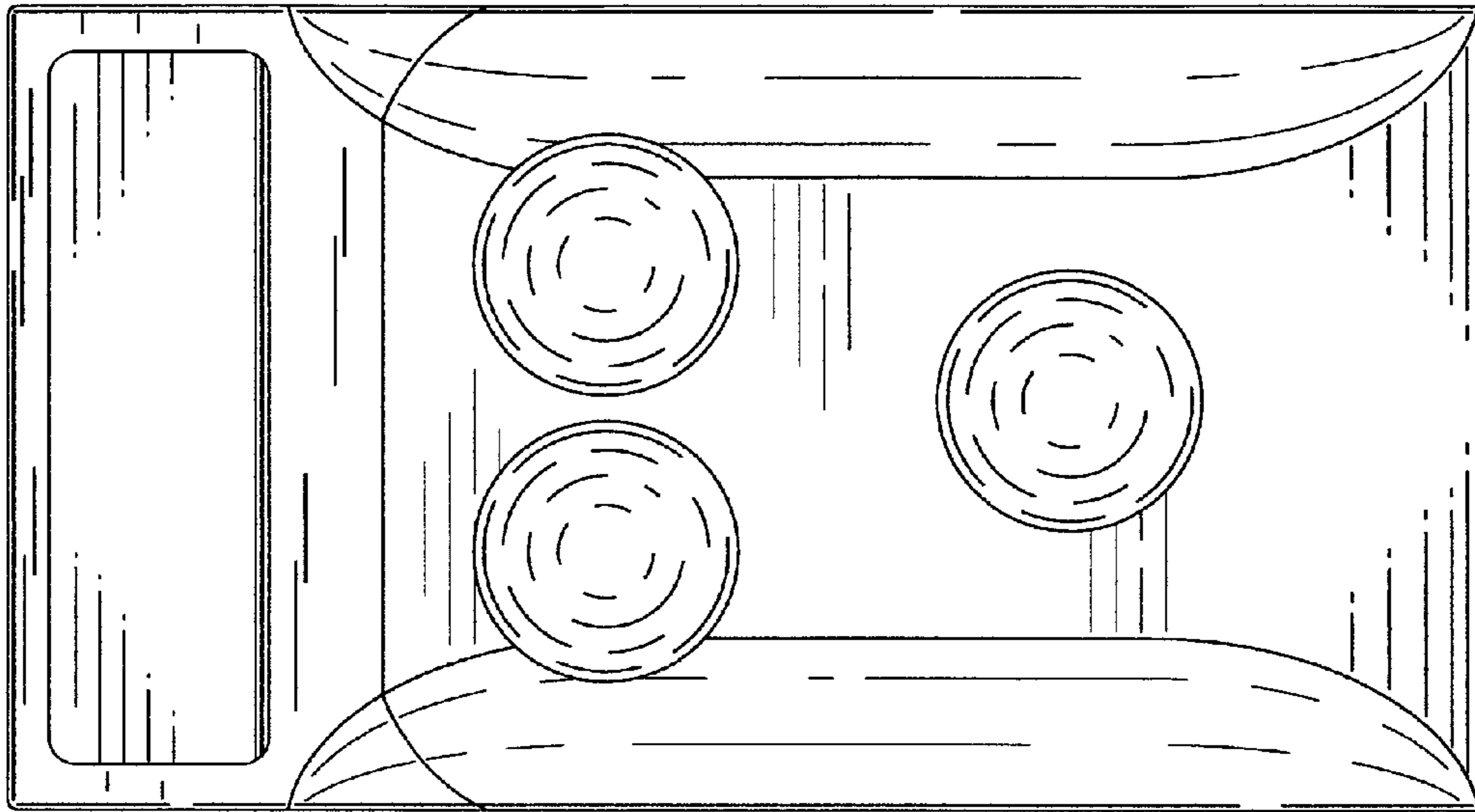
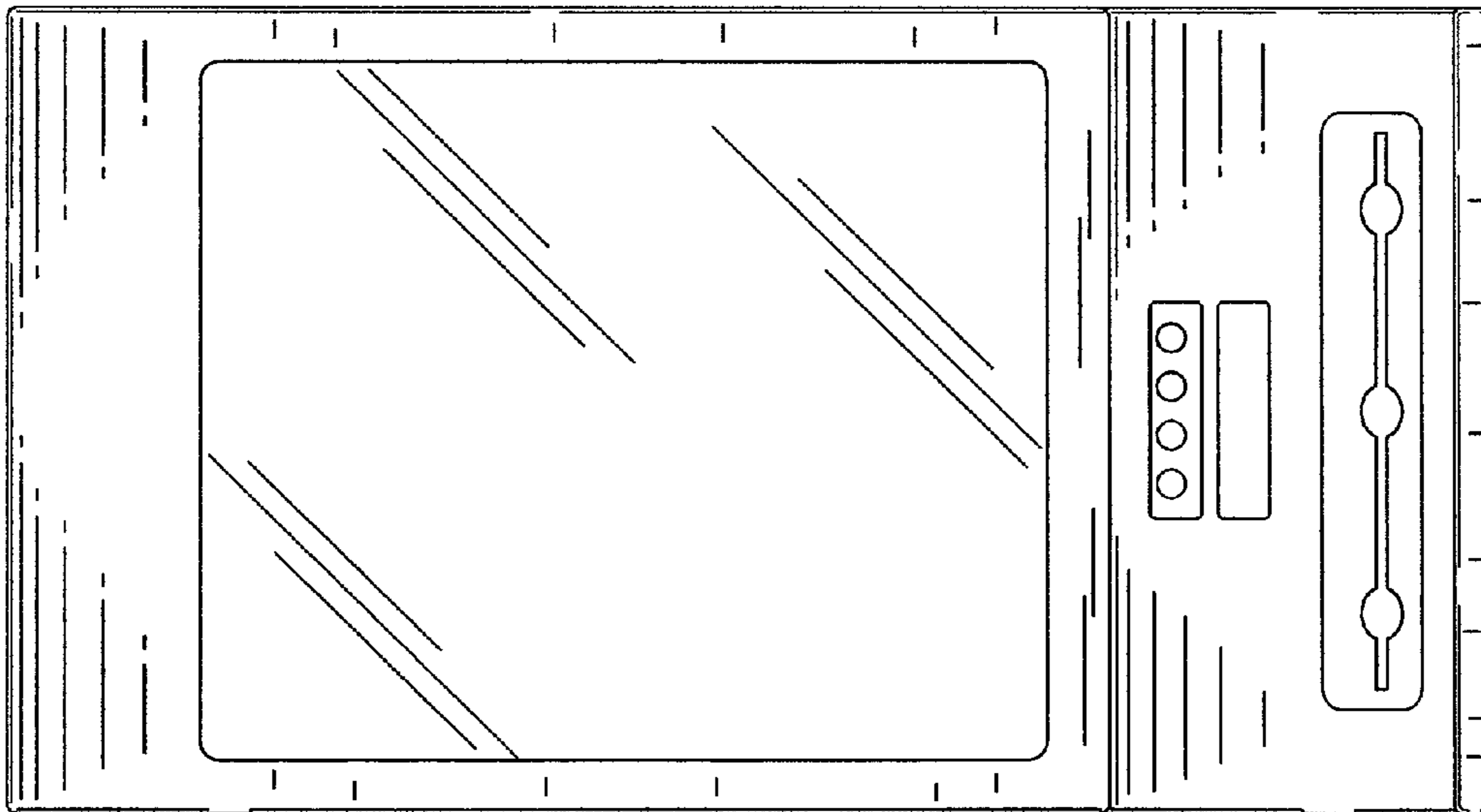
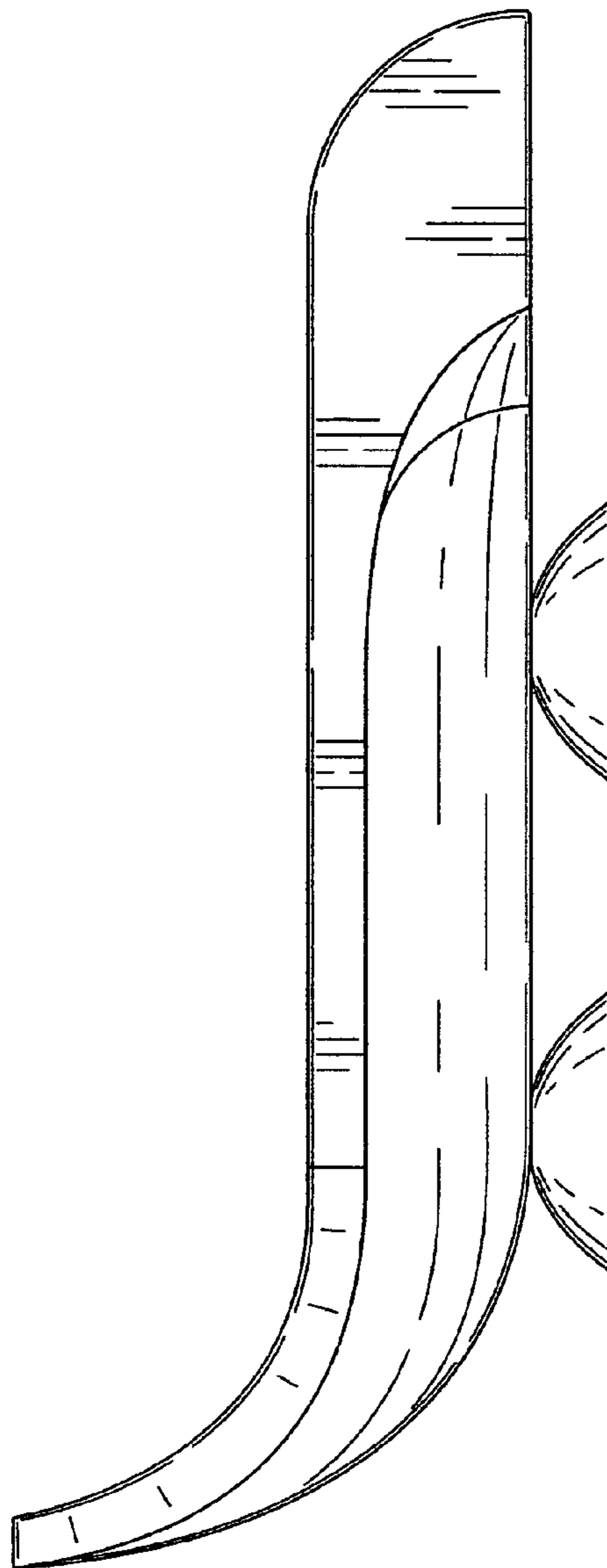


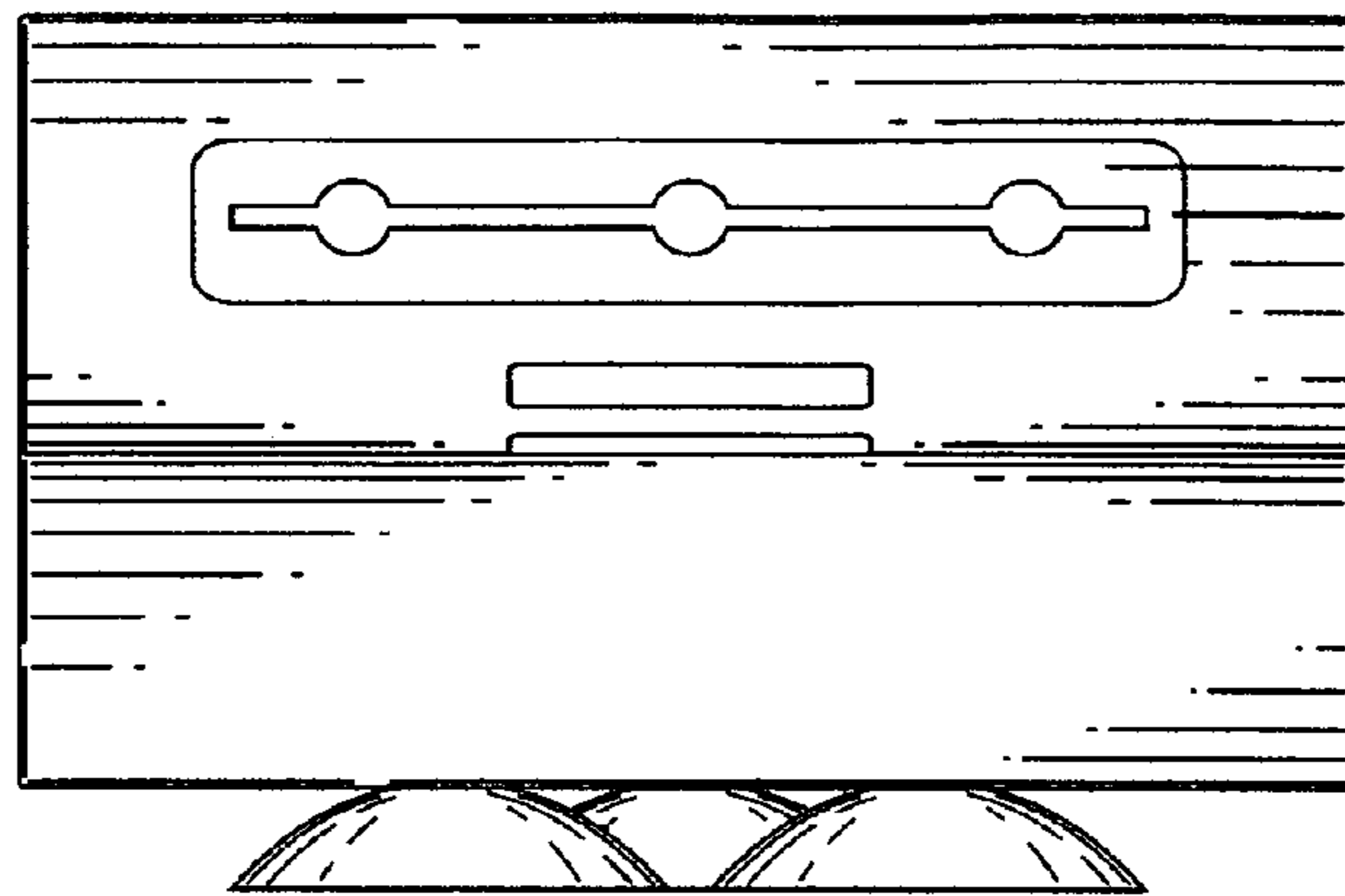
Fig. 2



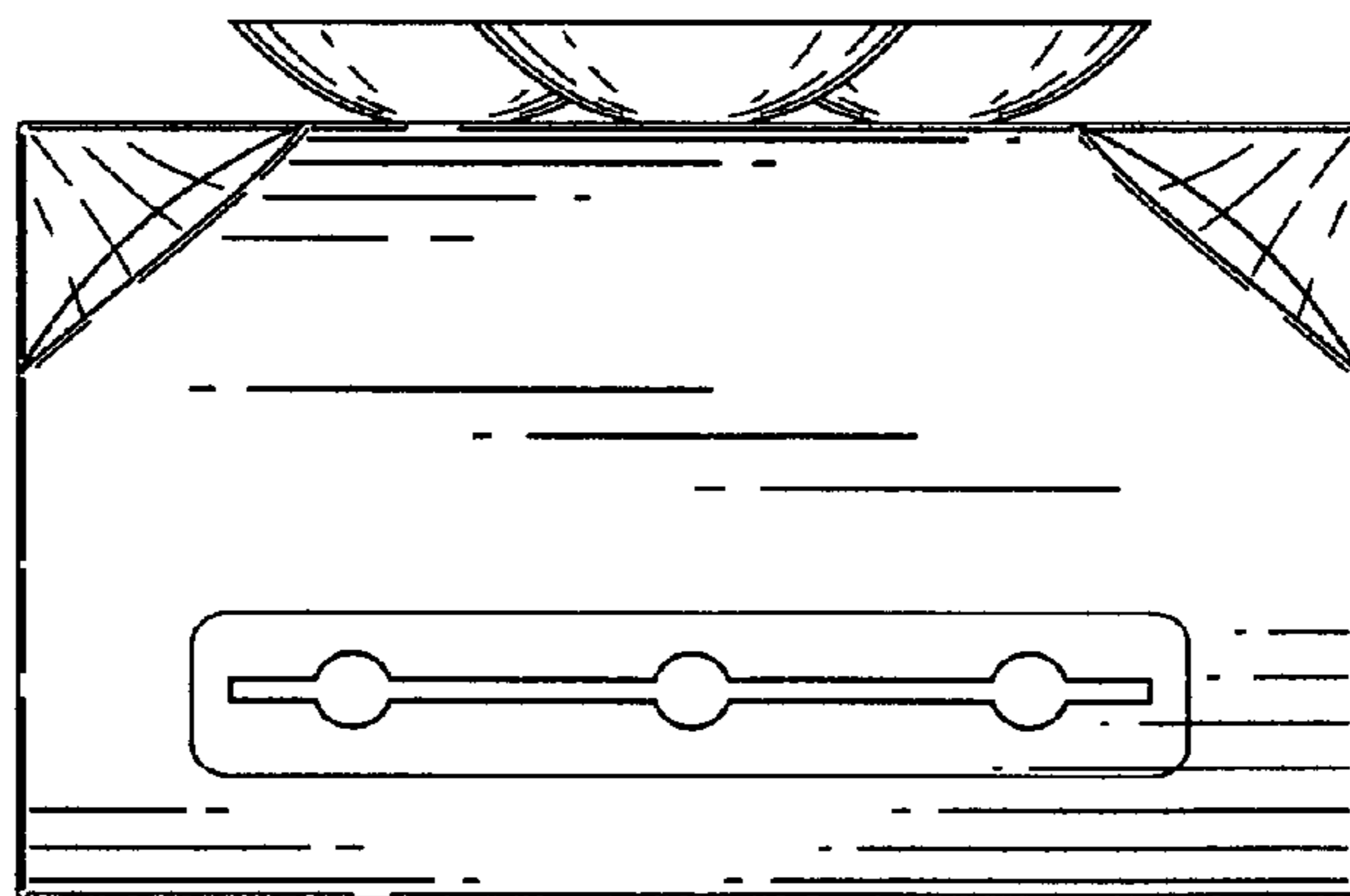
*Fig. 4*



*Fig. 5*

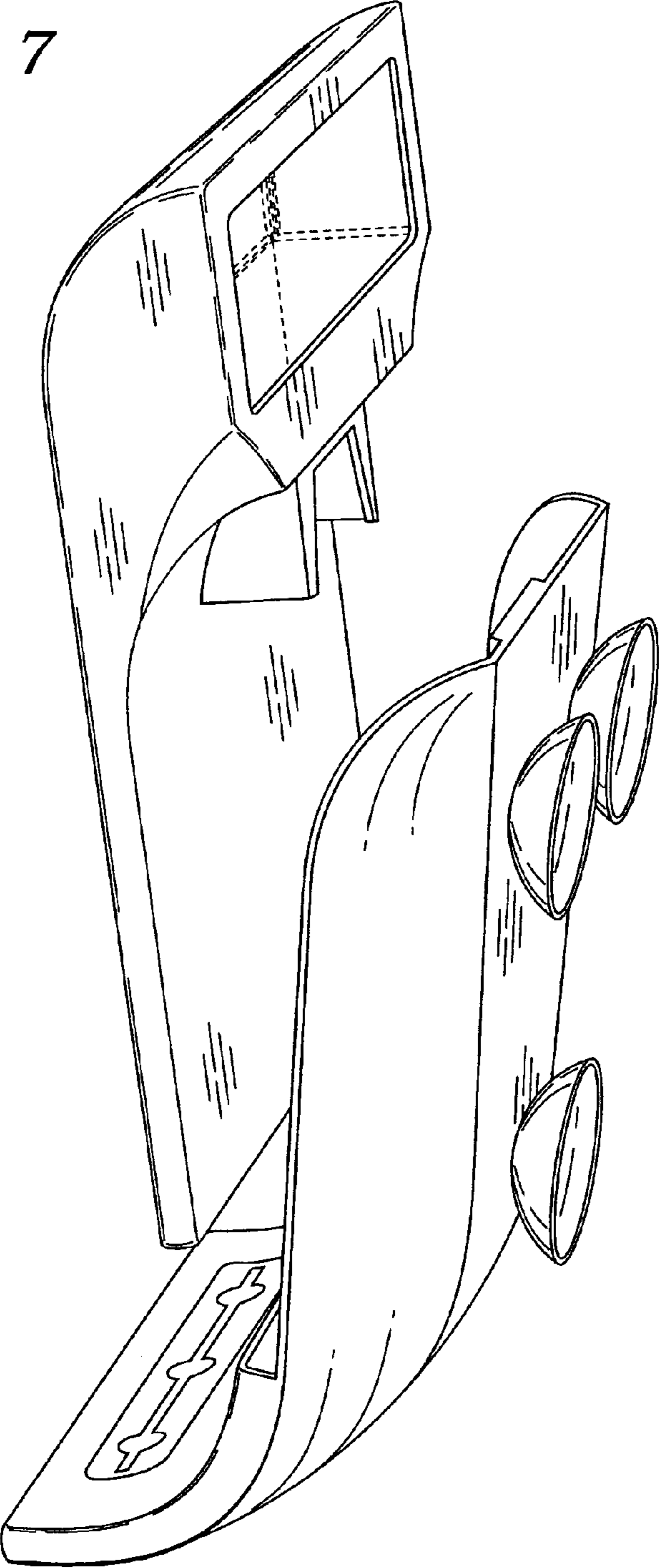


*Fig. 6*





*Fig. 7*



*Fig. 8*

