



US00D695020S

(12) **United States Design Patent**
Weaver et al.

(10) **Patent No.:** **US D695,020 S**
(45) **Date of Patent:** **** Dec. 10, 2013**

(54) **BRUSH WITH HANDLE**

- (71) Applicant: **Quickie Manufacturing Corporation**,
Cinnaminson, NJ (US)
- (72) Inventors: **Jace Weaver**, Gilbertsville, PA (US);
Michael Schiavo, Mt. Ephraim, NJ (US)
- (73) Assignee: **Quickie Manufacturing Corporation**,
Cinnaminson, NJ (US)

(**) Term: **14 Years**

(21) Appl. No.: **29/452,771**

(22) Filed: **Apr. 22, 2013**

(51) **LOC (9) Cl.** **04-01**

(52) **U.S. Cl.**
USPC **D4/138; D4/118**

(58) **Field of Classification Search**
USPC D4/118, 132-134, 136-138; D28/63;
D32/51, 52; 15/111, 143.1, 159.1, 160,
15/186-188, 244.1

See application file for complete search history.

(56) **References Cited**

U.S. PATENT DOCUMENTS

D291,029 S *	7/1987	Purvis et al.	D4/118
D323,746 S *	2/1992	Mehan	D4/118
D349,193 S *	8/1994	Sloan et al.	D4/118
D456,614 S *	5/2002	Zemel	D4/134
D676,303 S *	2/2013	Kopp et al.	D8/107

OTHER PUBLICATIONS

Harper Brush Catalog, Aug. 1995, Short & Long Handled Scrubbers,
top box on page, 13.*

Rubbermaid® Catalog, © 1992, Rubbermaid Commercial Products,
Inc., Utility Brushes, p. 38.*
DE 40603004-0011 Registered Design, (Braun GmbH) Oct. 10,
2006, [online], [retrieved on Sep. 27, 2013]. Retrieved from the
Designs Register of the German Patent and Trade Mark Office using
the Internet: <URL: http://register.dmpa.de>.*
DE 40603004-0021 Registered Design, (Braun GmbH) Oct. 10,
2006, [online], [retrieved on Sep. 11, 2013]. Retrieved from the
Designs Register of the German Patent and Trade Mark Office using
the Internet: <URL: http://register.dmpa.de>.*

* cited by examiner

Primary Examiner — Melanie H Tung
Assistant Examiner — Lavone D Tabor

(74) *Attorney, Agent, or Firm* — Jason F. Cotter; Gregory J.
Winsky; Archer & Greiner, P.C.

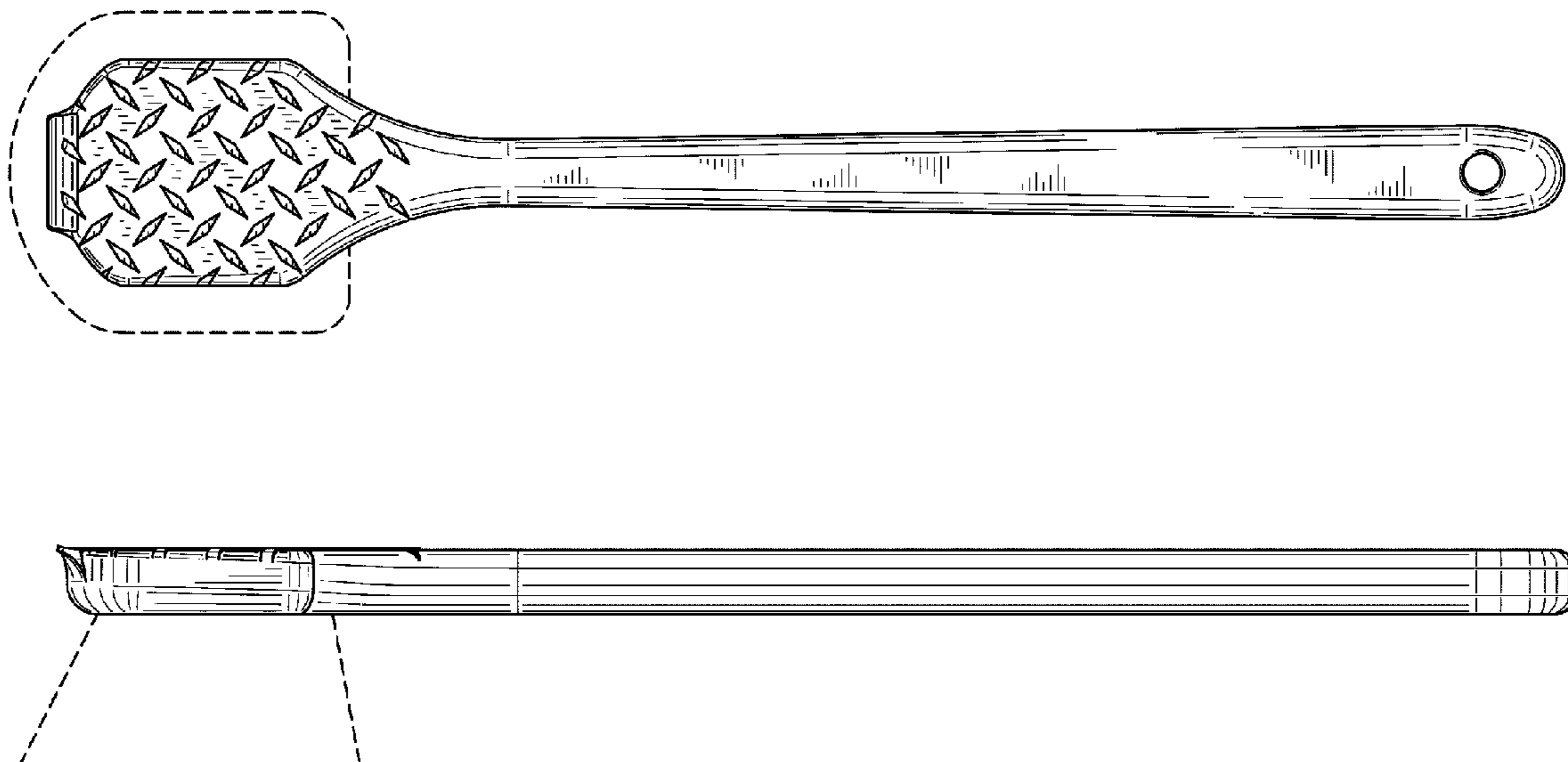
(57) **CLAIM**

The ornamental design for a brush with handle, as shown and
described.

DESCRIPTION

FIG. 1 is a perspective view of a brush with handle showing
our new design;
FIG. 2 is a top plan view thereof;
FIG. 3 is a bottom plan view thereof;
FIG. 4 is a right side elevational view thereof;
FIG. 5 is a left side elevational view thereof;
FIG. 6 is a front elevational view thereof; and,
FIG. 7 is a rear elevational view thereof.
The broken lines shown in the drawings represent unclaimed
portions of the brush with handle and form no part of the
claimed design.

1 Claim, 4 Drawing Sheets



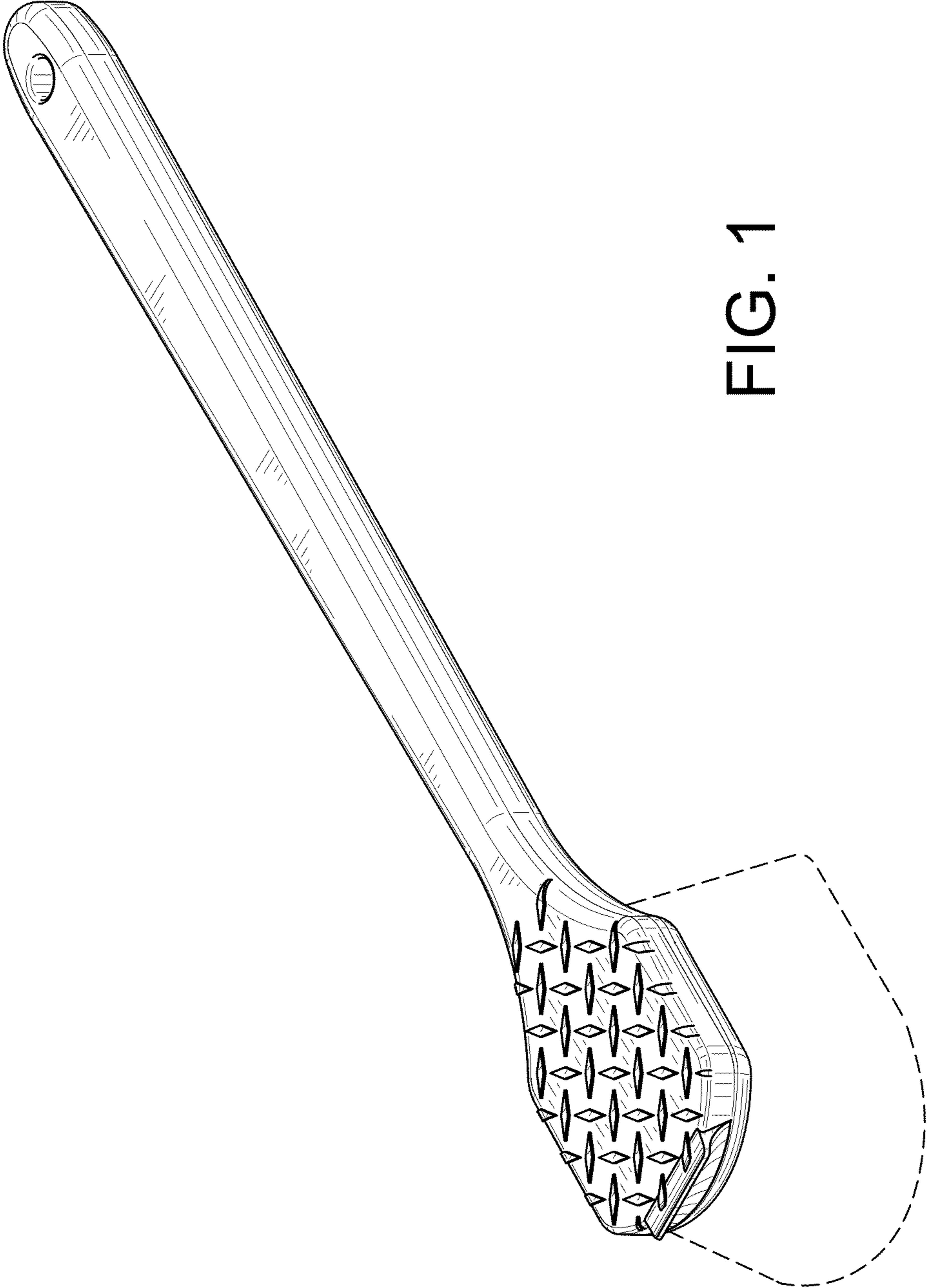


FIG. 1

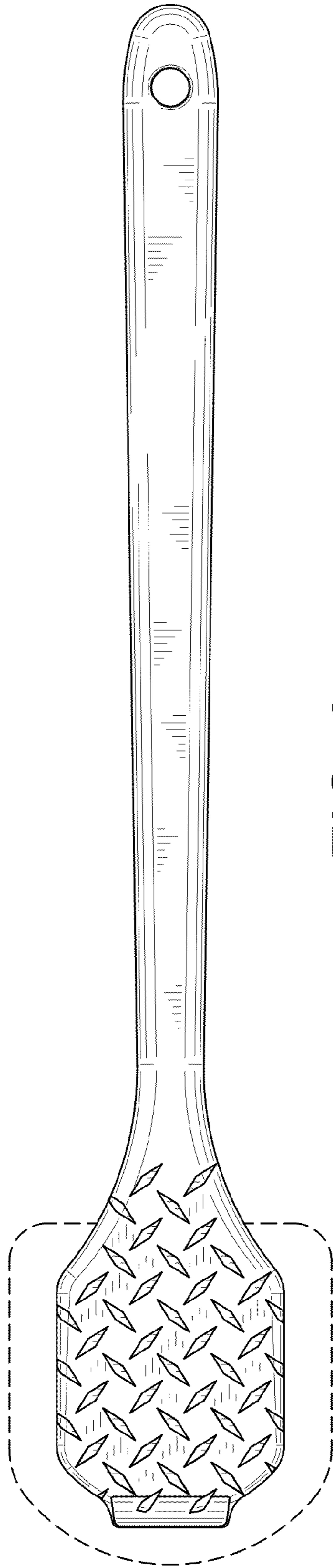


FIG. 2

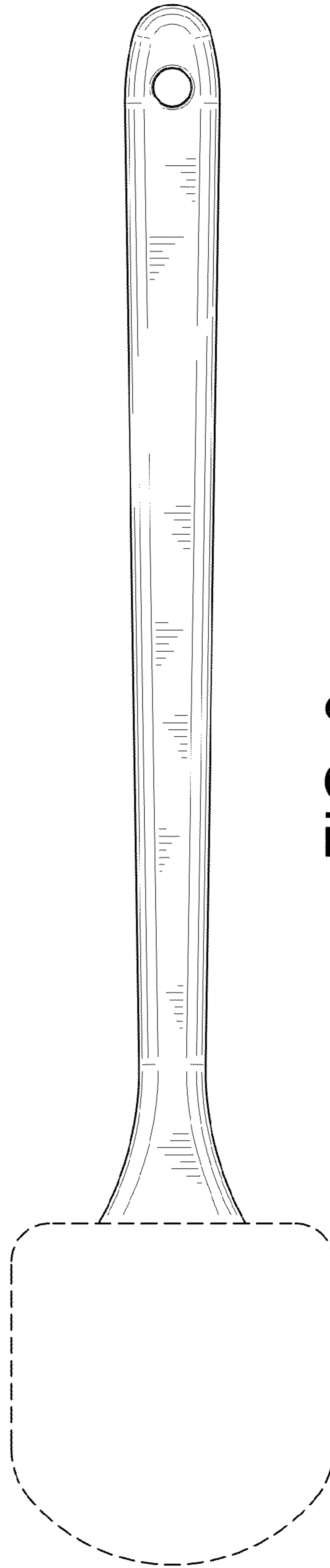


FIG. 3

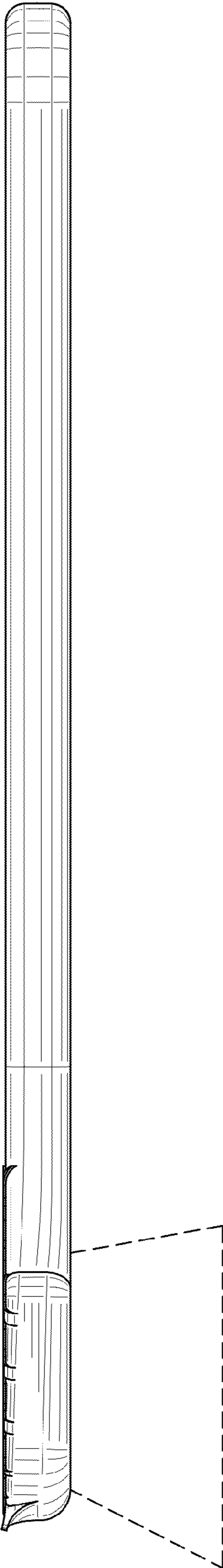


FIG. 4

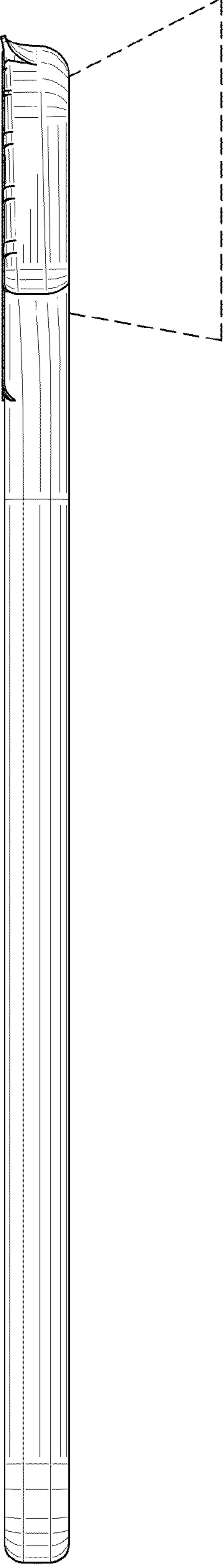


FIG. 5

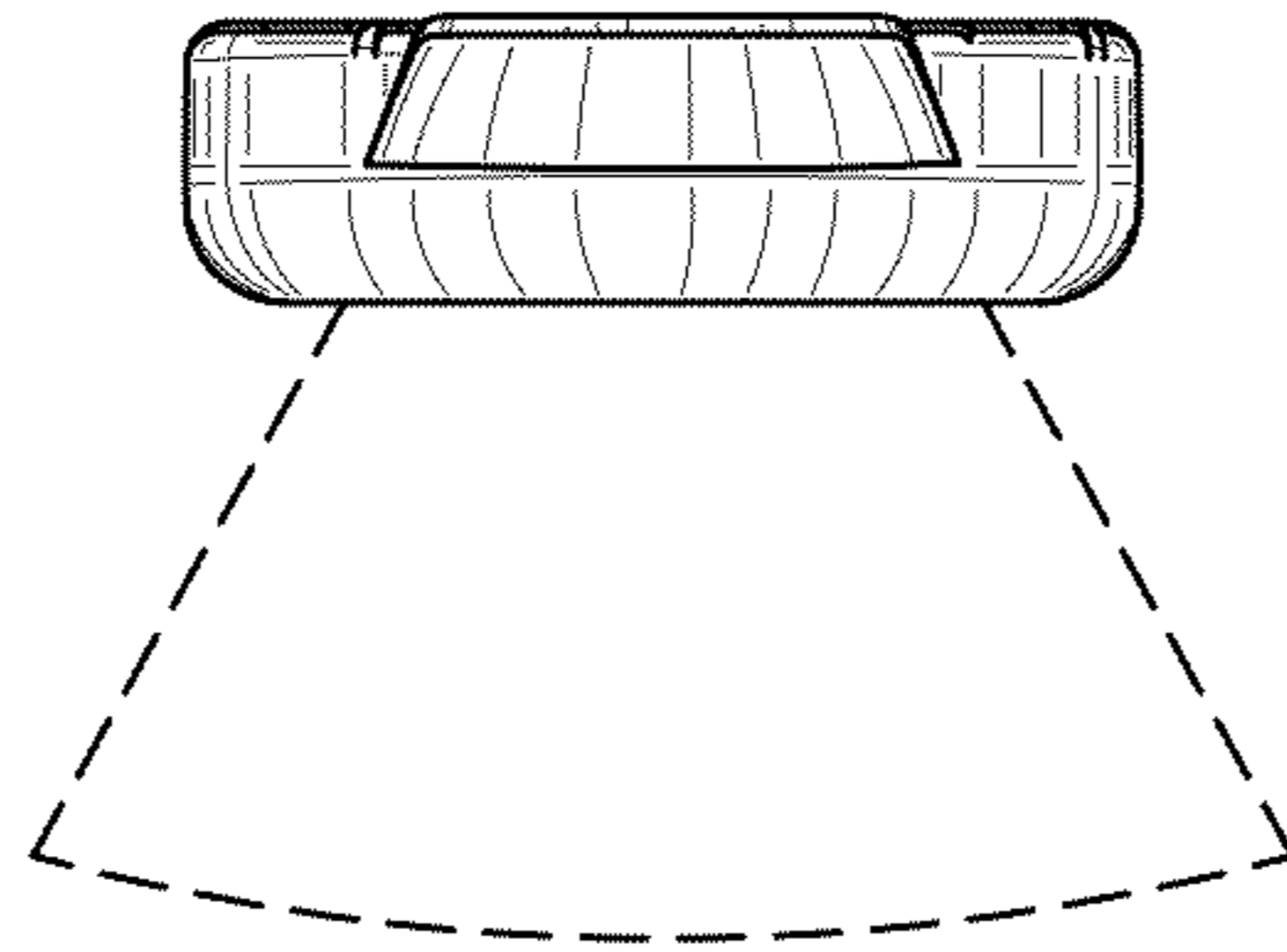


FIG. 6

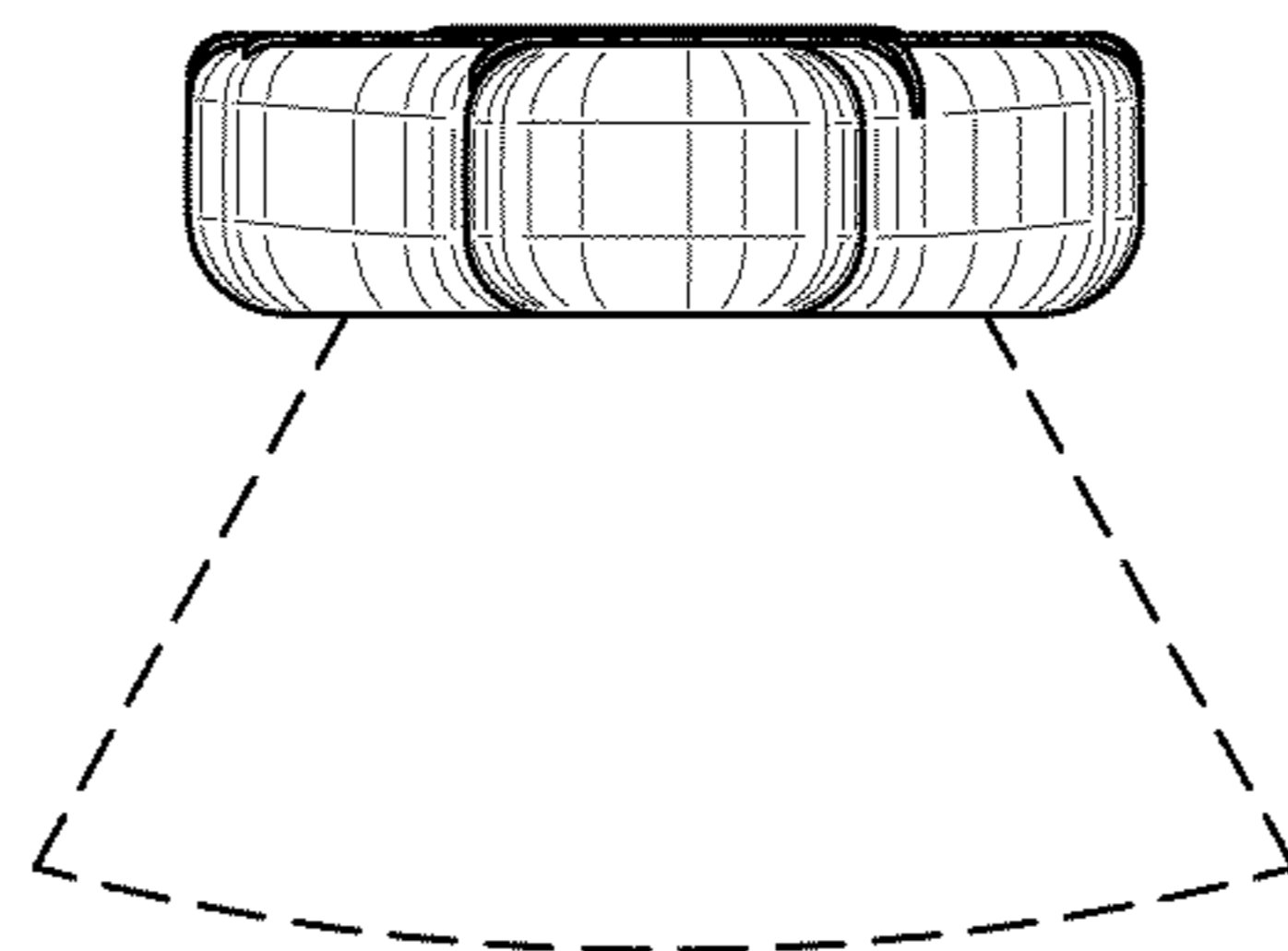


FIG. 7