

US00D695019S

(12) **United States Design Patent**
Zemel et al.

(10) **Patent No.:** **US D695,019 S**
(45) **Date of Patent:** **** Dec. 10, 2013**

- (54) **GRILL BRUSH**
- (71) Applicant: **Ferrellgas Real Estate, Inc.**, Liberty, MO (US)
- (72) Inventors: **Marc Zemel**, Old Bethpage, NY (US); **Adam Schillen**, Dix Hills, NY (US)
- (73) Assignee: **Ferrellgas Real Estate, Inc.**, Liberty, MO (US)
- (**) Term: **14 Years**
- (21) Appl. No.: **29/452,644**
- (22) Filed: **Apr. 19, 2013**
- (51) **LOC (9) Cl.** **04-01**
- (52) **U.S. Cl.**
USPC **D4/138**
- (58) **Field of Classification Search**
USPC D4/118, 119, 129, 130, 137, 138, 199;
D8/45, 90, 94, 300, 307, 310, DIG. 2;
D32/35, 40, 52; 15/111, 143.1, 159.1,
15/160, 229.11–229.13, 235.4, 244.1;
16/426, 433, 441; 451/523, 524, 554,
451/557
See application file for complete search history.

- D345,653 S 4/1994 Joyner et al.
- D355,529 S 2/1995 Tsai
- D358,491 S 5/1995 Hoagland
- D360,763 S 8/1995 Camp et al.
- D362,937 S 10/1995 Camp, Jr. et al.
- 5,471,700 A 12/1995 Pereira
- D366,962 S 2/1996 Whitaker
- D369,472 S 5/1996 Laubach, III et al.
- D373,251 S 9/1996 Young
- D381,483 S 7/1997 Hartman

(Continued)

OTHER PUBLICATIONS

America's Best Barbecue Grill Pro Abrasive Scrubbing Brush—Item # 71448, [online]. America's Best Barbecue, Inc., 2006 [retrieved on May 31, 2013] Retrieved using Internet Archive: àURL: http://archive.org/web/20060615000000*/http://www.americasbestbbq.com.

(Continued)

Primary Examiner — Melanie H Tung
Assistant Examiner — Lavone D Tabor
(74) *Attorney, Agent, or Firm* — Carter, DeLuca, Farrell & Schmidt LLP

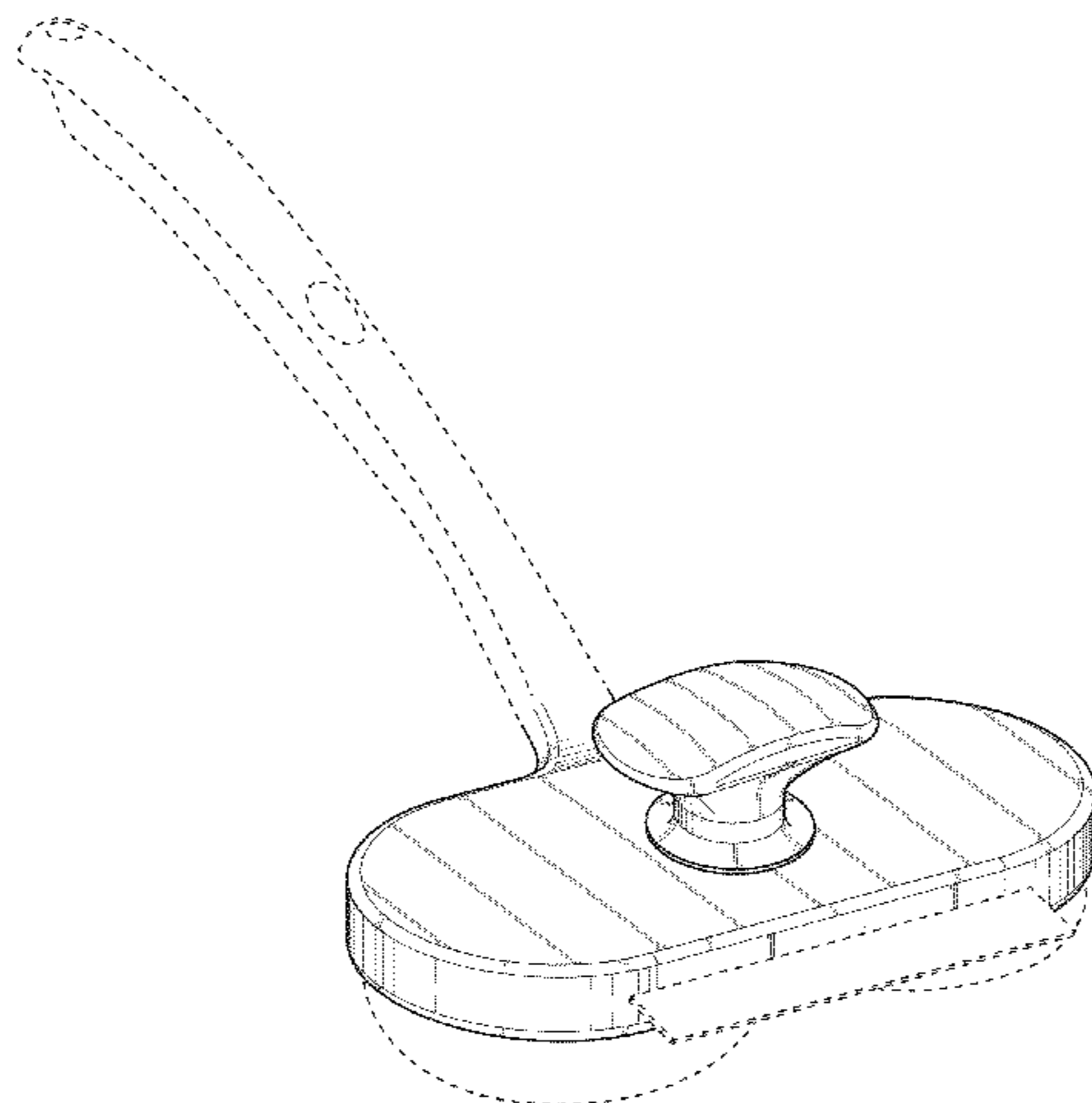
(57) **CLAIM**
The ornamental design for a grill brush, as shown and described.

DESCRIPTION

FIG. 1 is a perspective view of a grill brush in accordance with the present design;
FIG. 2 is a right side elevational view thereof, the left side elevational view being a mirror image thereof;
FIG. 3 is a front side elevational view thereof;
FIG. 4 is a rear side elevational view thereof;
FIG. 5 is a top plan view thereof; and,
FIG. 6 is a bottom plan view thereof.
The broken lines shown in the drawings illustrate portions of the grill brush that form no part of the claimed design.

1 Claim, 5 Drawing Sheets

- (56) **References Cited**
U.S. PATENT DOCUMENTS
- 2,167,196 A 7/1939 Bothum
- 2,186,832 A 1/1940 Hertzberg
- D138,896 S 9/1944 Edmonds
- 2,891,360 A 6/1959 Duffle
- D189,235 S 11/1960 Racina
- 3,629,895 A 12/1971 Colgan
- D223,314 S 4/1972 Goldfeder
- D236,071 S 7/1975 Zemke
- 4,056,863 A 11/1977 Gunjian
- 4,091,579 A 5/1978 Giangiulio
- 4,146,943 A 4/1979 Wertheimer et al.
- 4,730,949 A 3/1988 Wilson
- D344,634 S 3/1994 Berti



(56)

References Cited

U.S. PATENT DOCUMENTS

D392,104 S 3/1998 Berti
 D400,328 S 10/1998 Zemel
 D403,165 S 12/1998 Ferrante et al.
 D429,889 S 8/2000 Fielding
 D437,691 S 2/2001 Weiss
 6,216,306 B1 4/2001 Esterson et al.
 D455,272 S 4/2002 Zemel
 D456,614 S 5/2002 Zemel
 6,438,784 B1 8/2002 Yu
 6,443,646 B1 9/2002 MacDonald
 D468,107 S 1/2003 Shen
 D502,001 S 2/2005 Hay
 D532,609 S 11/2006 Zemel
 D544,213 S 6/2007 Dow et al.
 D547,553 S 7/2007 Borovicka et al.
 D563,677 S 3/2008 Zemel
 D589,705 S 4/2009 Zemel

D590,600 S 4/2009 Dow et al.
 D597,740 S 8/2009 Borovicka et al.
 D601,347 S 10/2009 Wales
 7,632,033 B2 12/2009 Wales
 7,909,526 B2 3/2011 Wales
 8,032,974 B2 10/2011 Carpenter
 D652,629 S 1/2012 Zemel
 D658,894 S 5/2012 Zemel
 D661,906 S 6/2012 Zemel
 D663,125 S 7/2012 Zemel
 D663,531 S 7/2012 Zemel
 D664,363 S 7/2012 Rothman
 D665,178 S 8/2012 Zemel
 2003/0070246 A1 4/2003 Cavalheiro
 2005/0011029 A1 1/2005 Yu
 2009/0188061 A1 7/2009 Cybulski et al.

OTHER PUBLICATIONS

U.S. Appl. No. 29/447,846, filed Mar. 7, 2013.
 U.S. Appl. No. 29/436,129, filed Nov. 1, 2012.

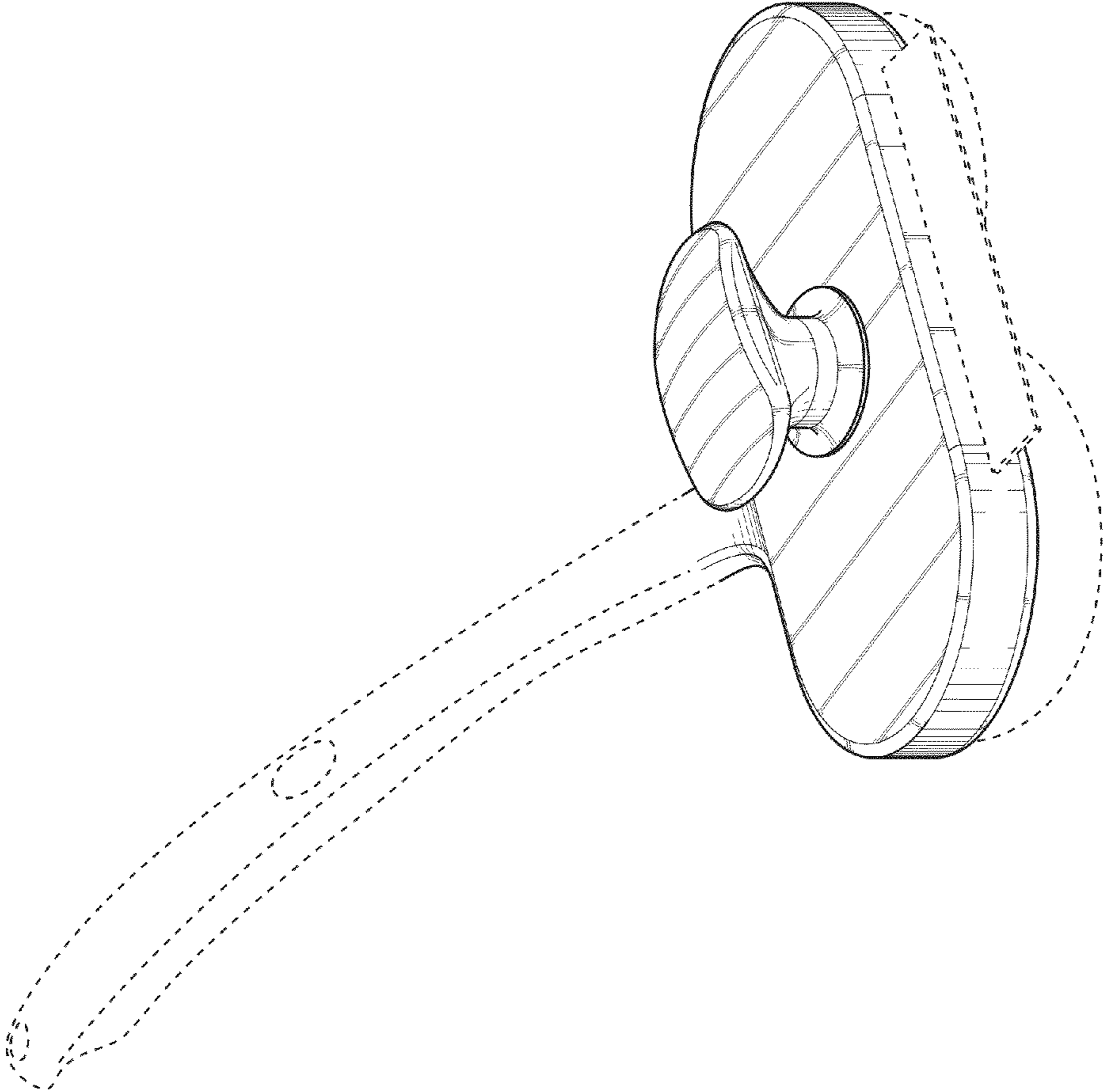


FIG. 1

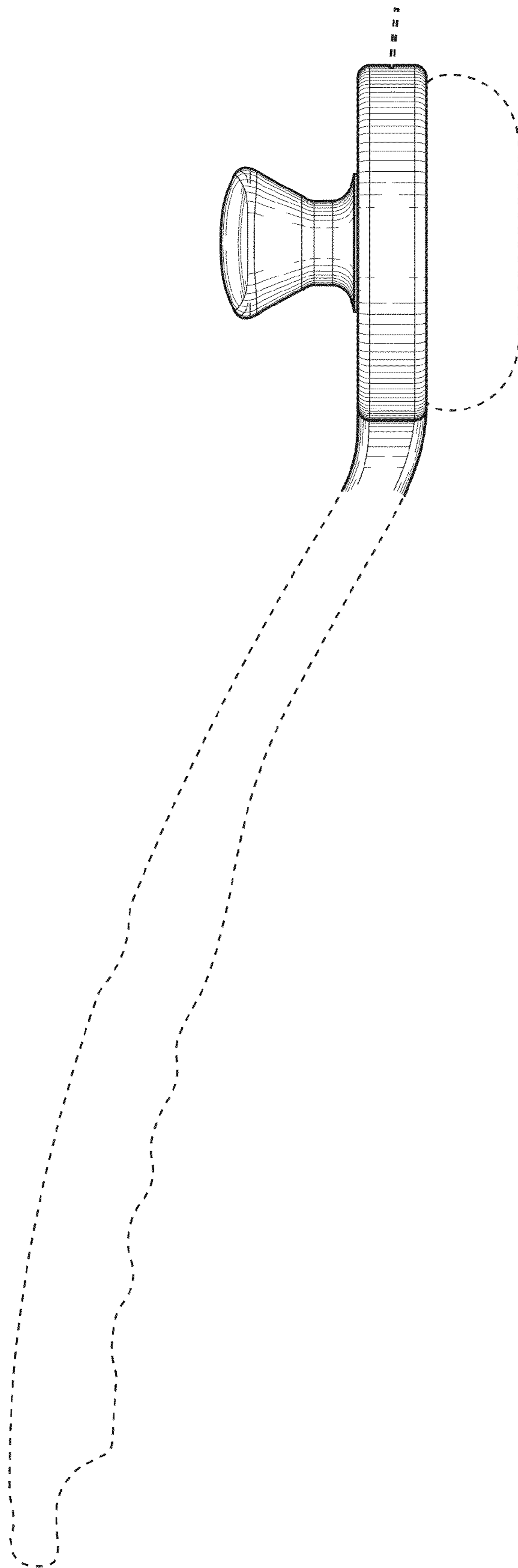


FIG. 2

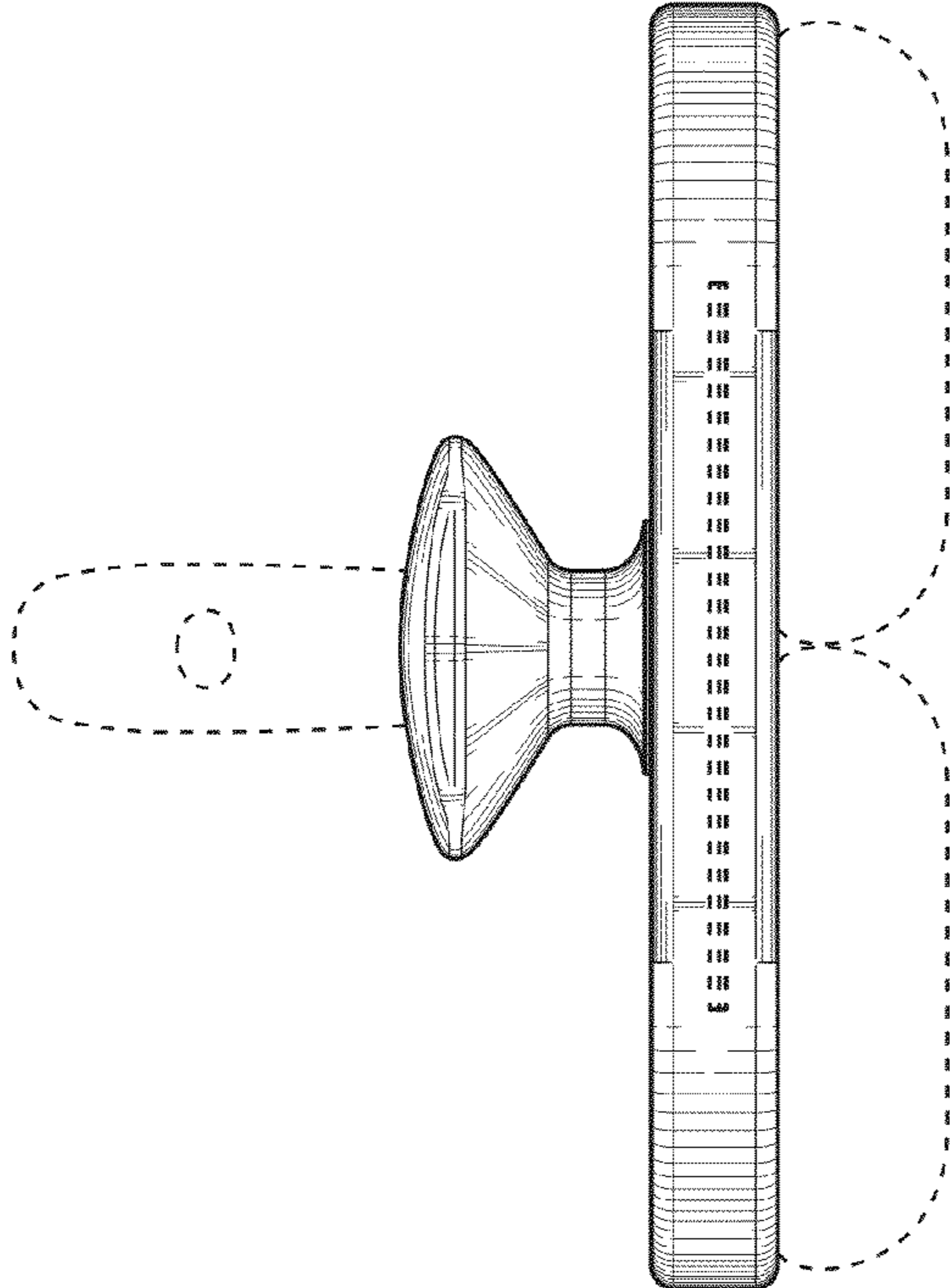


FIG. 3

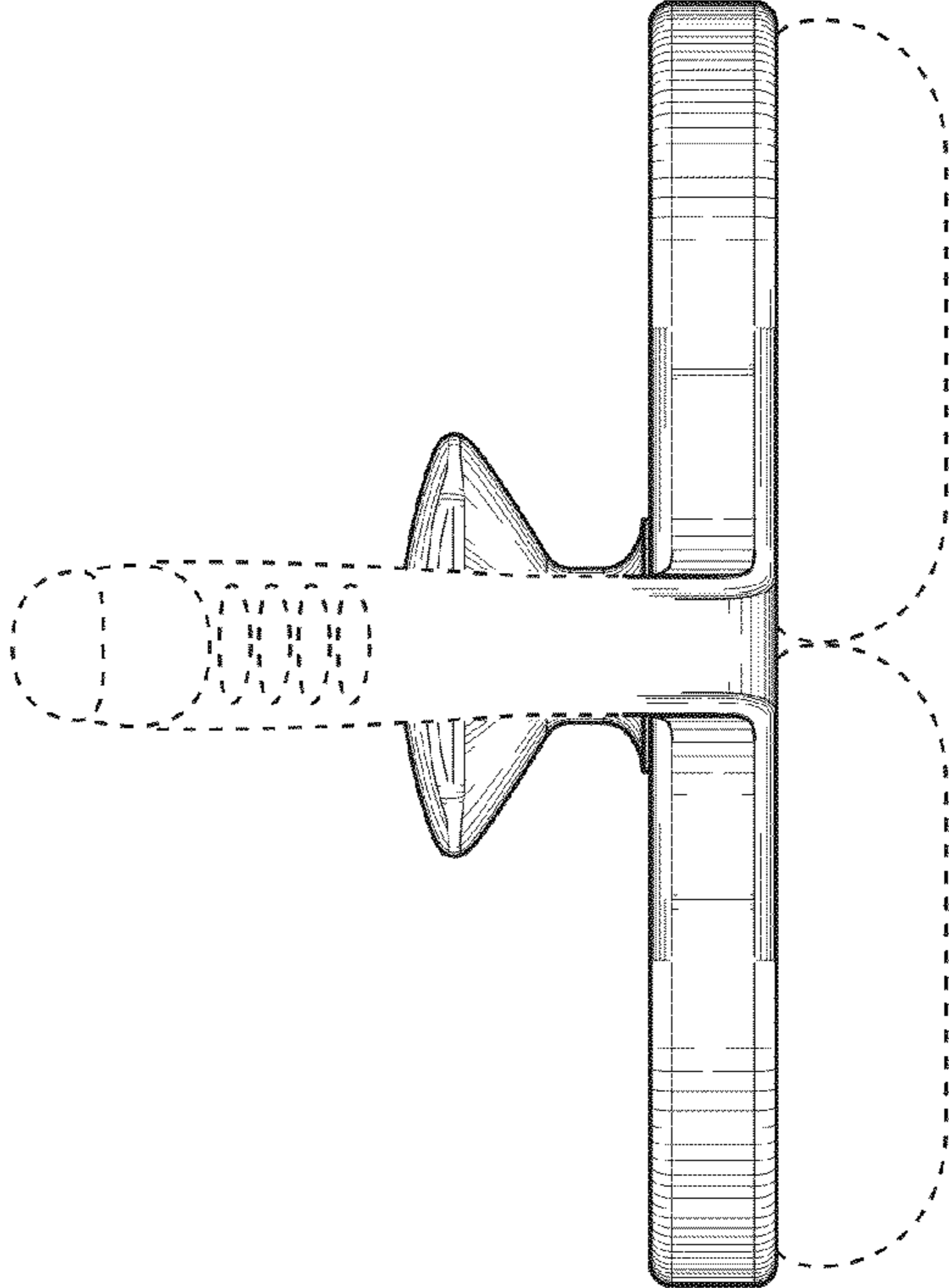


FIG. 4

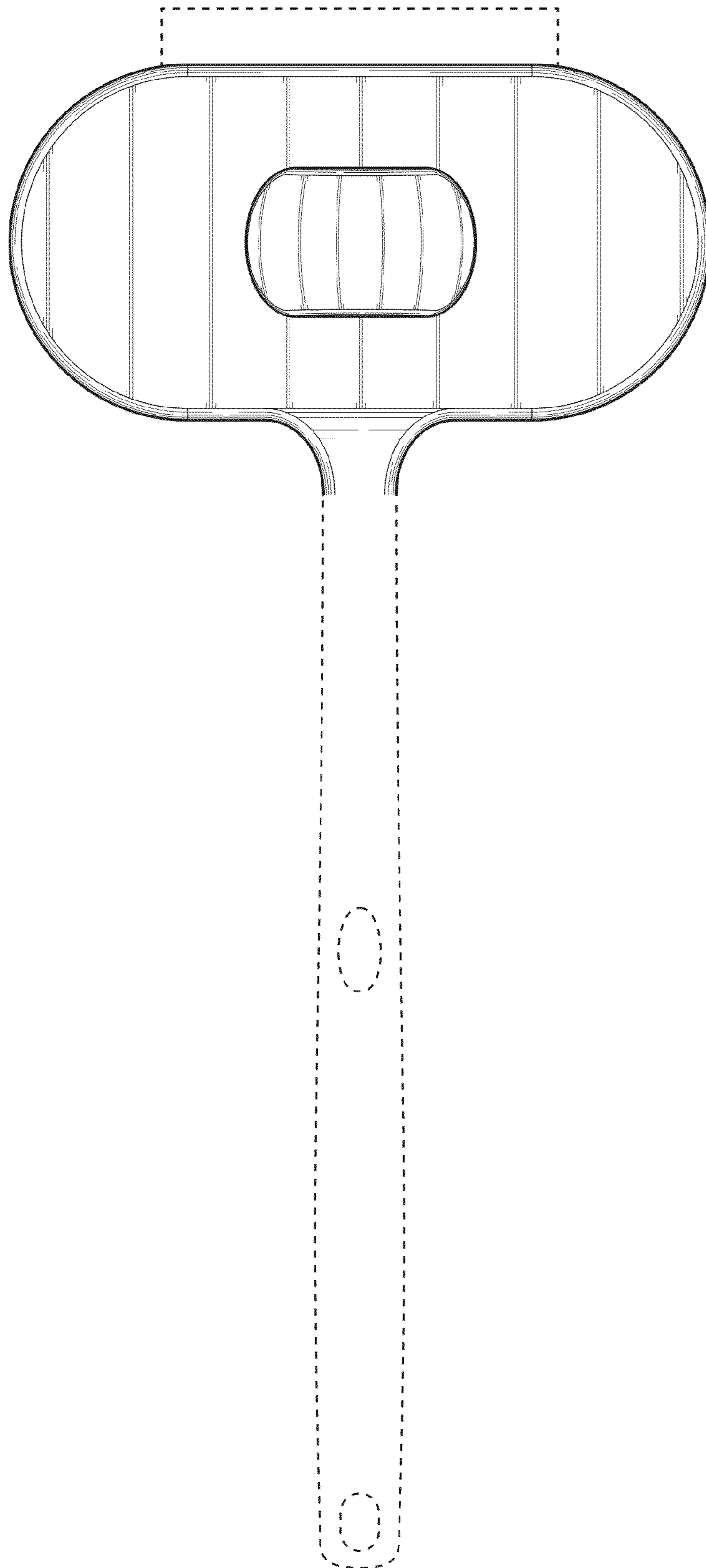


FIG. 5

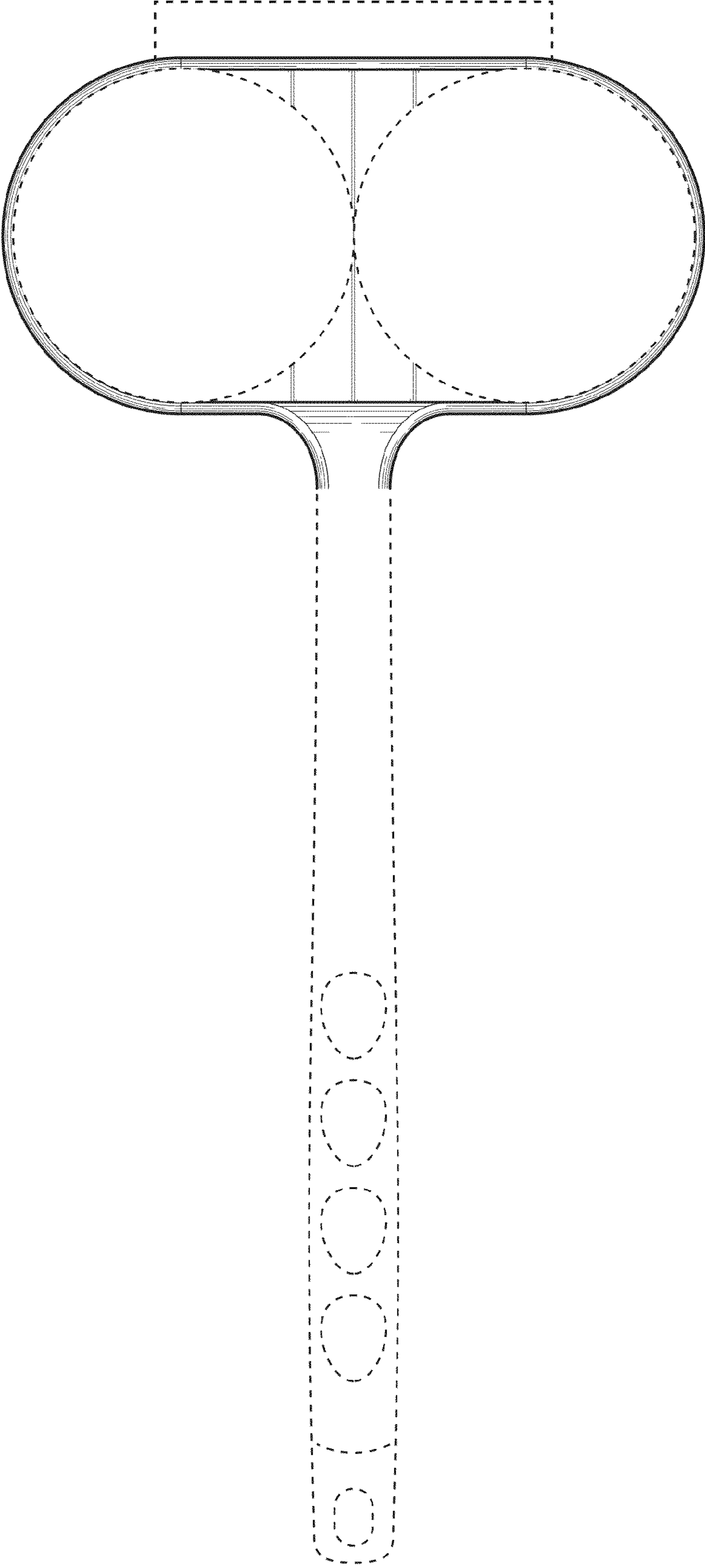


FIG. 6