



US00D695018S

(12) **United States Design Patent**
Gallardo

(10) **Patent No.:** **US D695,018 S**

(45) **Date of Patent:** **** Dec. 10, 2013**

(54) **DUAL PAINT ROLLER**

(71) Applicant: **Arigala Painting, Inc.**, Castaic, CA
(US)

(72) Inventor: **Jose Antonio Gallardo**, Castaic, CA
(US)

(73) Assignee: **Arigala Painting, Inc.**, Castaic, CA
(US)

(**) Term: **14 Years**

(21) Appl. No.: **29/459,517**

(22) Filed: **Jul. 1, 2013**

(51) **LOC (9) Cl.** **04-01**

(52) **U.S. Cl.**
USPC **D4/122**

(58) **Field of Classification Search**
USPC D4/122, 199; D6/317, 566; D8/370,
D8/373, 303, 107; 15/27, 230.11; 211/106,
211/106.01; 248/302; 492/13, 16, 17, 19;
16/422, 430, 431, 902, DIG. 12,
16/DIG. 18, DIG. 19
See application file for complete search history.

(56) **References Cited**

U.S. PATENT DOCUMENTS

2,321,511 A * 6/1943 Piercy 15/230.11
2,680,873 A * 6/1954 Ernst 15/235

3,562,837 A * 2/1971 Baginski et al. 15/230.11
4,335,484 A * 6/1982 Ridge et al. 15/230.11
D398,106 S * 9/1998 Diehl et al. D32/35
D405,958 S * 2/1999 Mollack D4/122
5,970,568 A * 10/1999 Mulcahy, Sr. 15/230.11
6,117,494 A * 9/2000 Wakat 427/428.01
D443,986 S * 6/2001 Marino D4/122
6,330,731 B1 * 12/2001 Jackson et al. 15/230.11
6,957,470 B2 * 10/2005 Rivadeneira 15/230.11
D521,245 S * 5/2006 Inch D4/122
D656,737 S * 4/2012 Crawley D4/122

* cited by examiner

Primary Examiner — Austin Murphy

(74) *Attorney, Agent, or Firm* — Kelly & Kelley, LLP

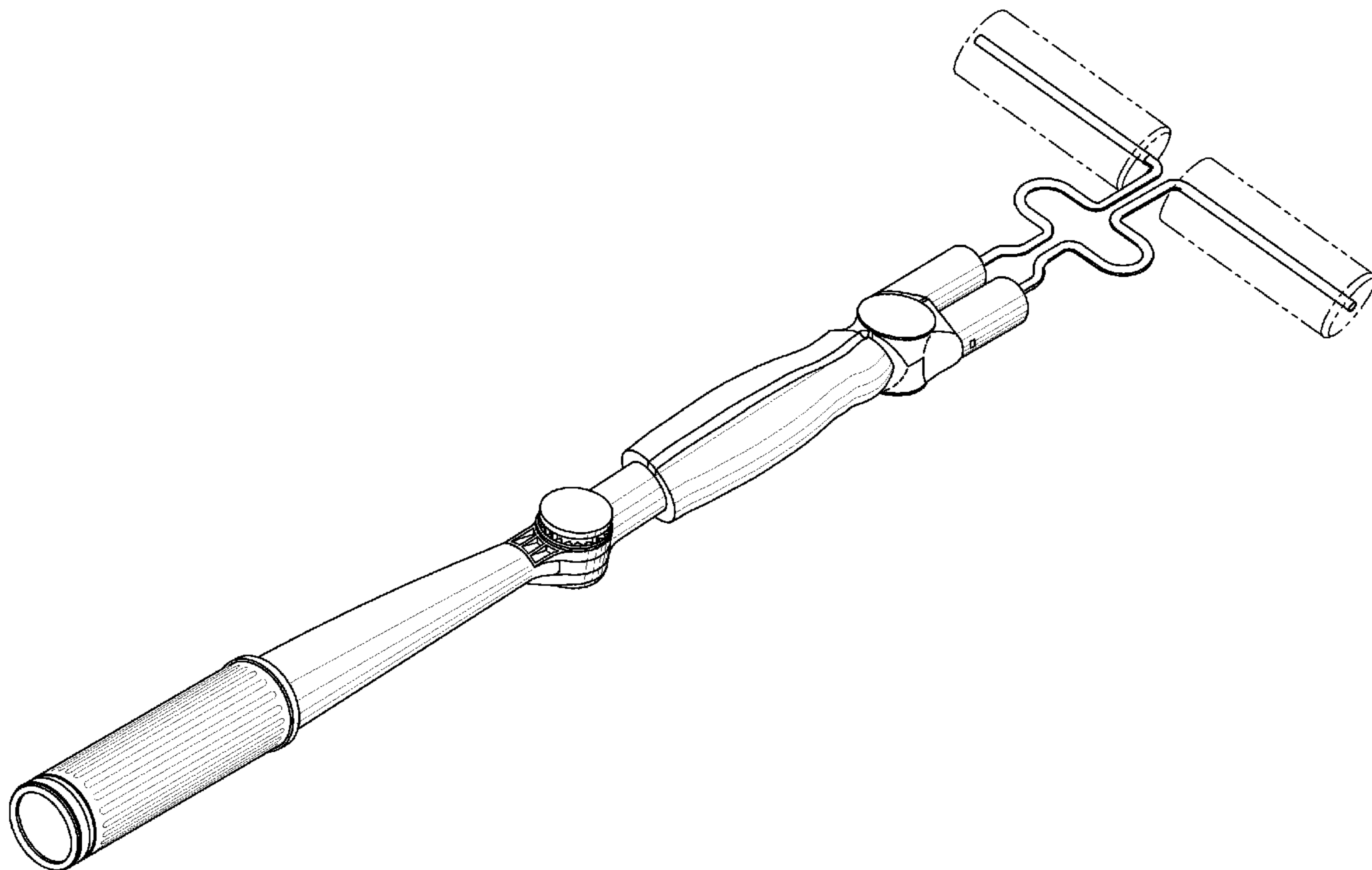
(57) **CLAIM**

The ornamental design for a dual paint roller, as shown and described.

DESCRIPTION

FIG. 1 is a top, front and right side perspective view of a dual paint roller embodying my new design, wherein exemplary rollers are shown in phantom;
FIG. 2 is a top plan view thereof;
FIG. 3 is a left side elevational view thereof, the right side elevational view being a mirror image;
FIG. 4 is a bottom plan view thereof;
FIG. 5 is a front elevational view thereof; and,
FIG. 6 is a rear elevational view thereof.
The broken lines shown in FIG. 1 form no part of the claimed design.

1 Claim, 3 Drawing Sheets



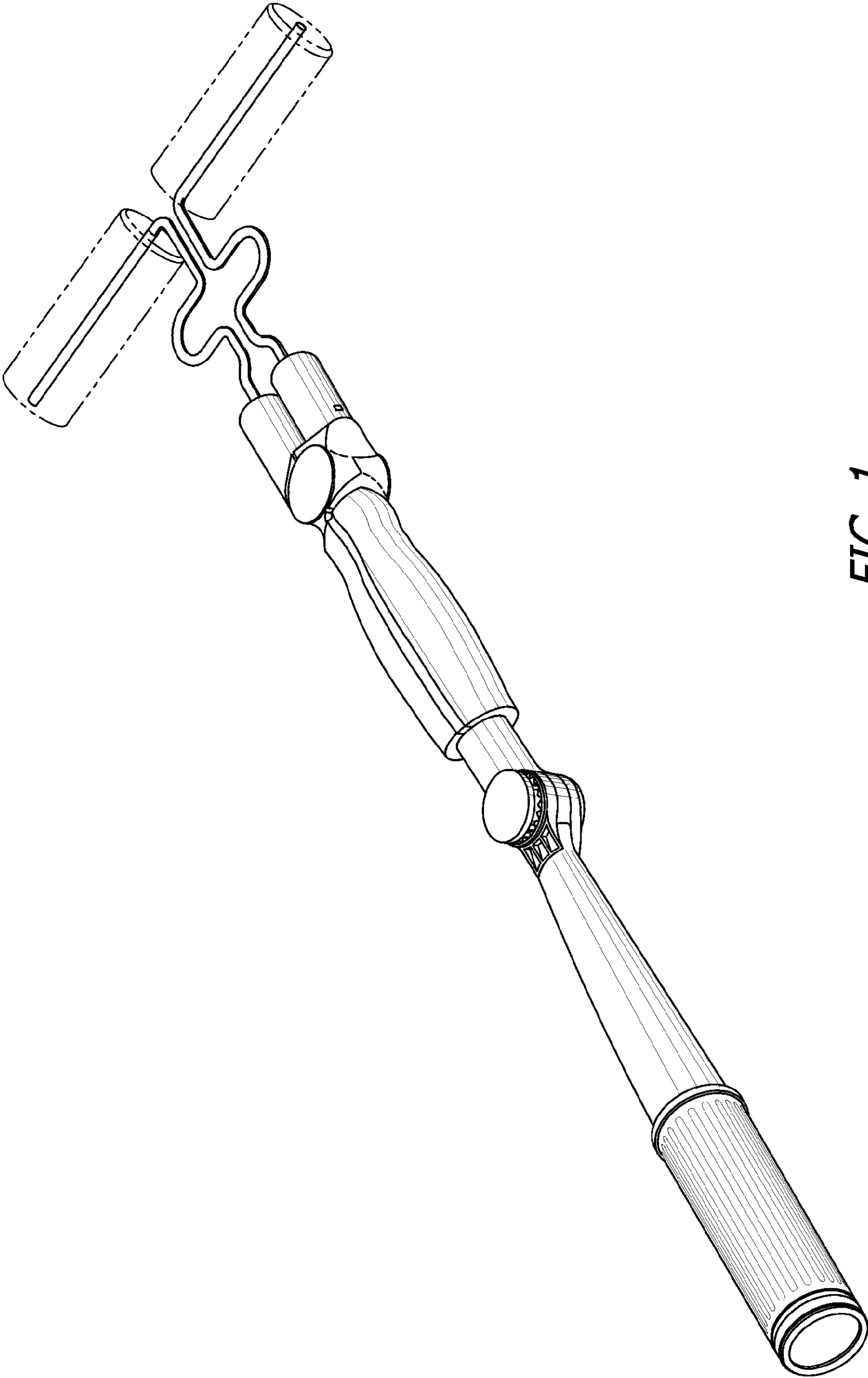
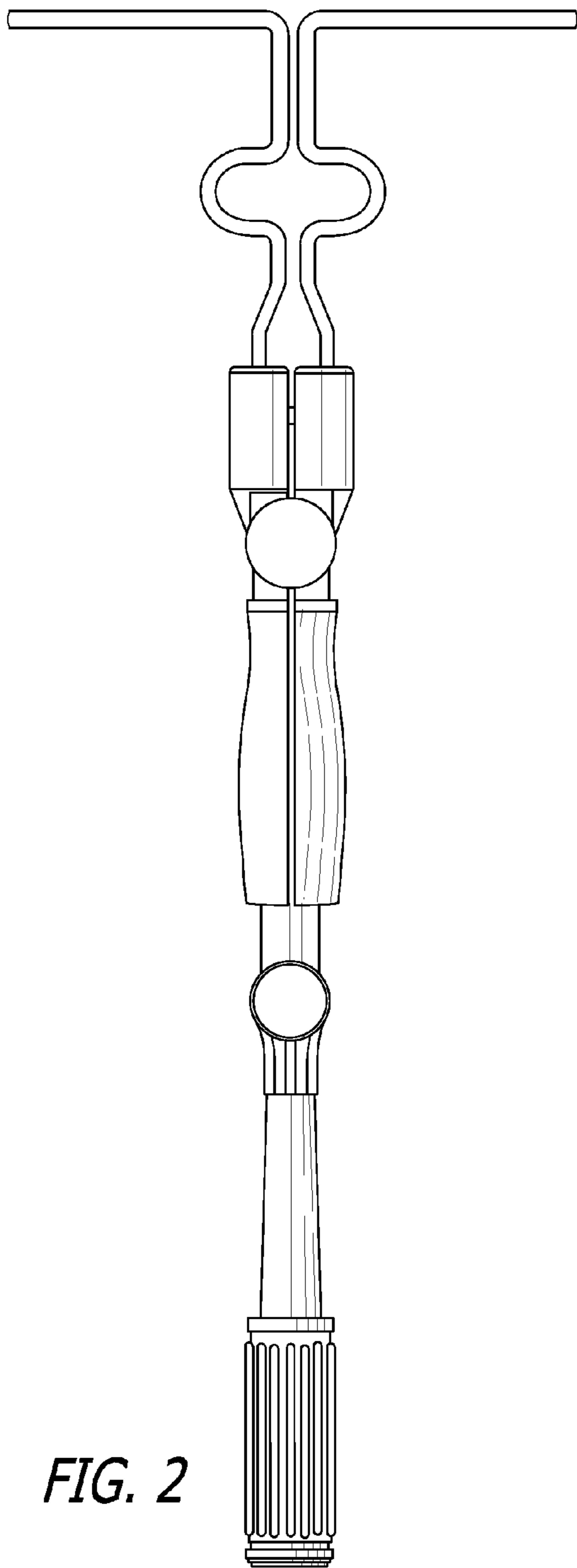


FIG. 1



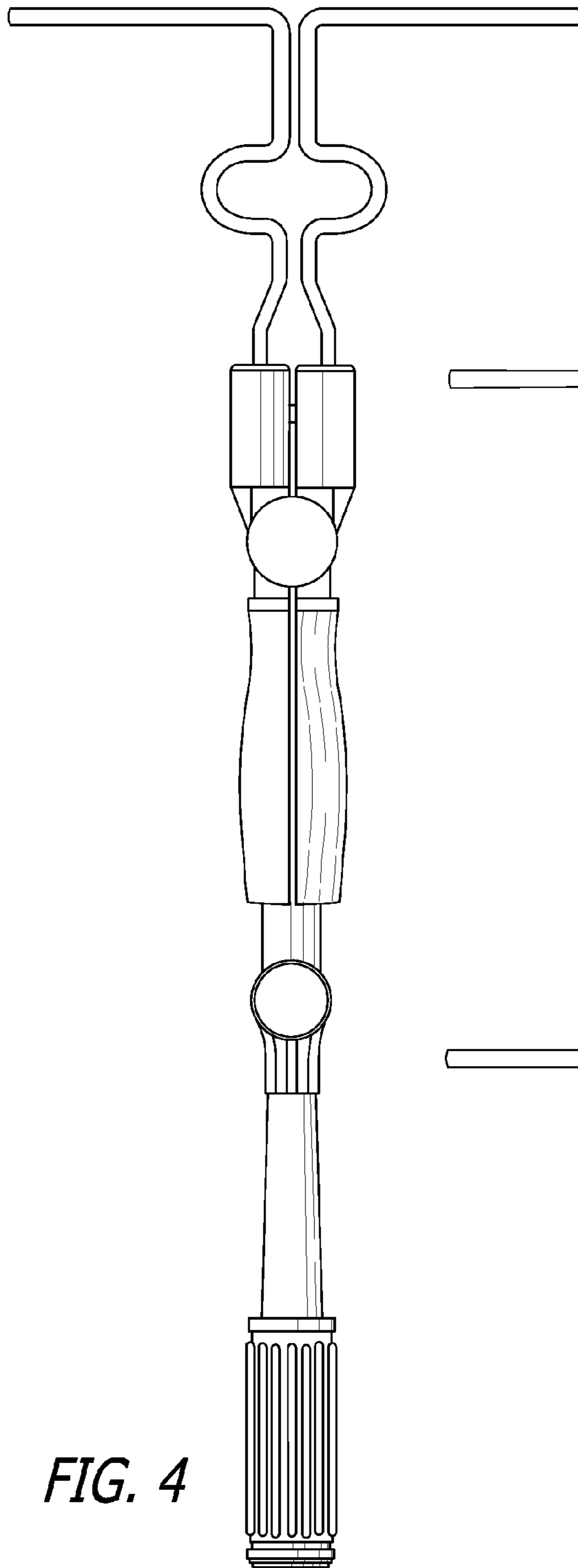


FIG. 4

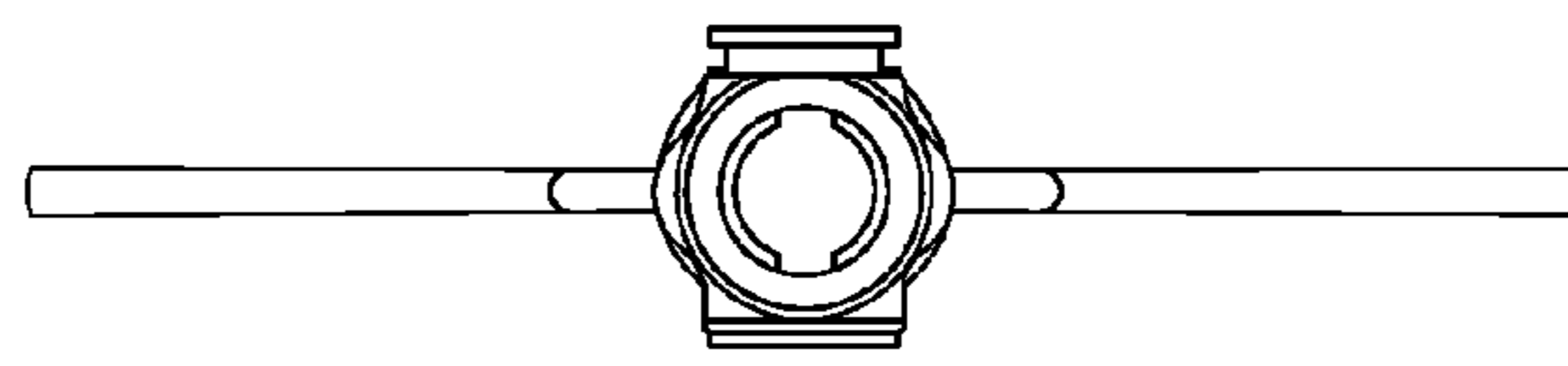


FIG. 5

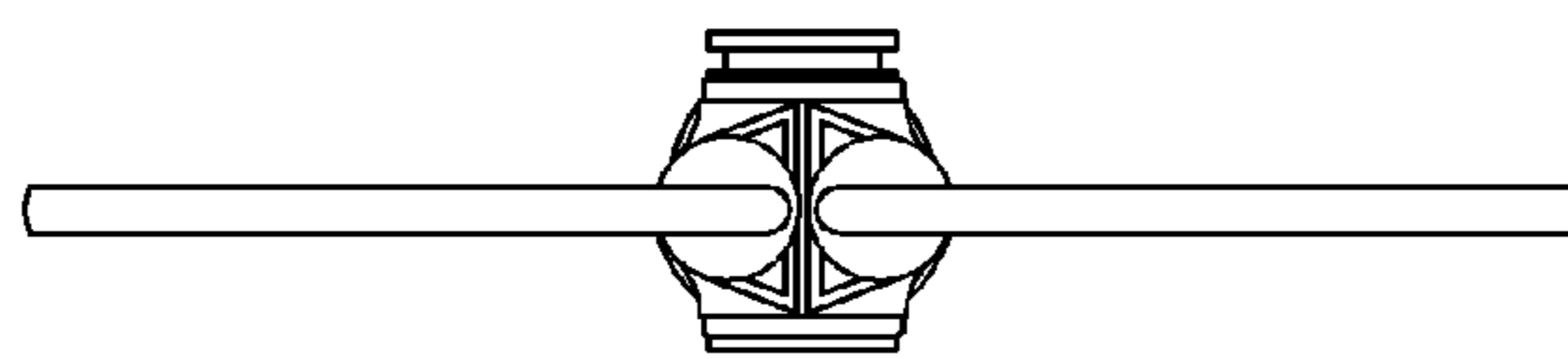


FIG. 6