



US00D695017S

(12) **United States Design Patent**
Booth et al.

(10) **Patent No.:** **US D695,017 S**
(45) **Date of Patent:** **** Dec. 10, 2013**

(54) **RIGID PLATE FOR A BAG**

- (71) Applicant: **Thule IP AB**, Malmö (SE)
- (72) Inventors: **Campbell A. Booth**, Dunedin (NZ);
Patrick D. Maguire, Dunedin (NZ);
Michael Noer, Stillwater, MN (US)
- (73) Assignee: **Thule IP AB**, Malmö (SE)
- (**) Term: **14 Years**
- (21) Appl. No.: **29/436,384**
- (22) Filed: **Nov. 5, 2012**
- (51) **LOC (9) Cl.** **03-01**
- (52) **U.S. Cl.**
USPC **D3/324; D3/318**
- (58) **Field of Classification Search**
USPC D3/318, 324; 150/100, 103–110,
150/113–114, 117–119; 383/4
See application file for complete search history.

(56) **References Cited**

U.S. PATENT DOCUMENTS

- D450,187 S * 11/2001 King D3/318
- D611,710 S * 3/2010 Paik D3/318

OTHER PUBLICATIONS

- U.S. Appl. No. 29/436,382, filed Nov. 5, 2012, Booth et al.
- U.S. Appl. No. 29/436,385, filed Nov. 5, 2012, Booth et al.
- U.S. Appl. No. 29/436,386, filed Nov. 5, 2012, Booth et al.

* cited by examiner

Primary Examiner — Holly Baynham

(74) *Attorney, Agent, or Firm* — Sheridan Ross P.C.

(57) **CLAIM**

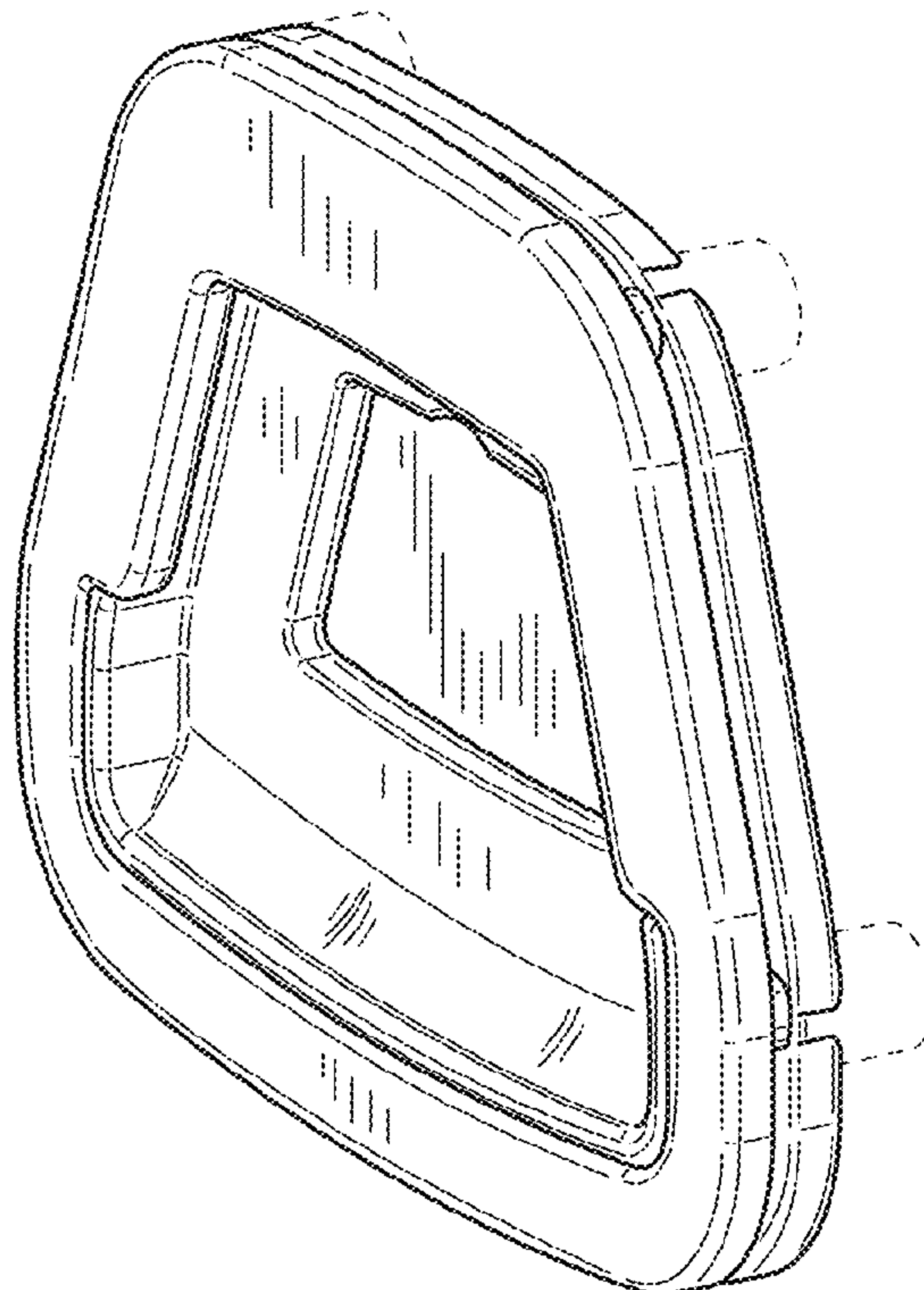
The ornamental design for a rigid plate for a bag, as shown and described.

DESCRIPTION

FIG. 1 is a front perspective view of the rigid plate for a bag; FIG. 2 is a front elevation view thereof; FIG. 3 is a top plan view thereof; FIG. 4 is a bottom plan view thereof; FIG. 5 is a left elevation view thereof; FIG. 6 is a right elevation view thereof; and, FIG. 7 is a rear elevation view thereof.

The broken lines showing a rigid plate for a bag are included for the purpose of illustrating environment and form no part of the claimed design.

1 Claim, 3 Drawing Sheets



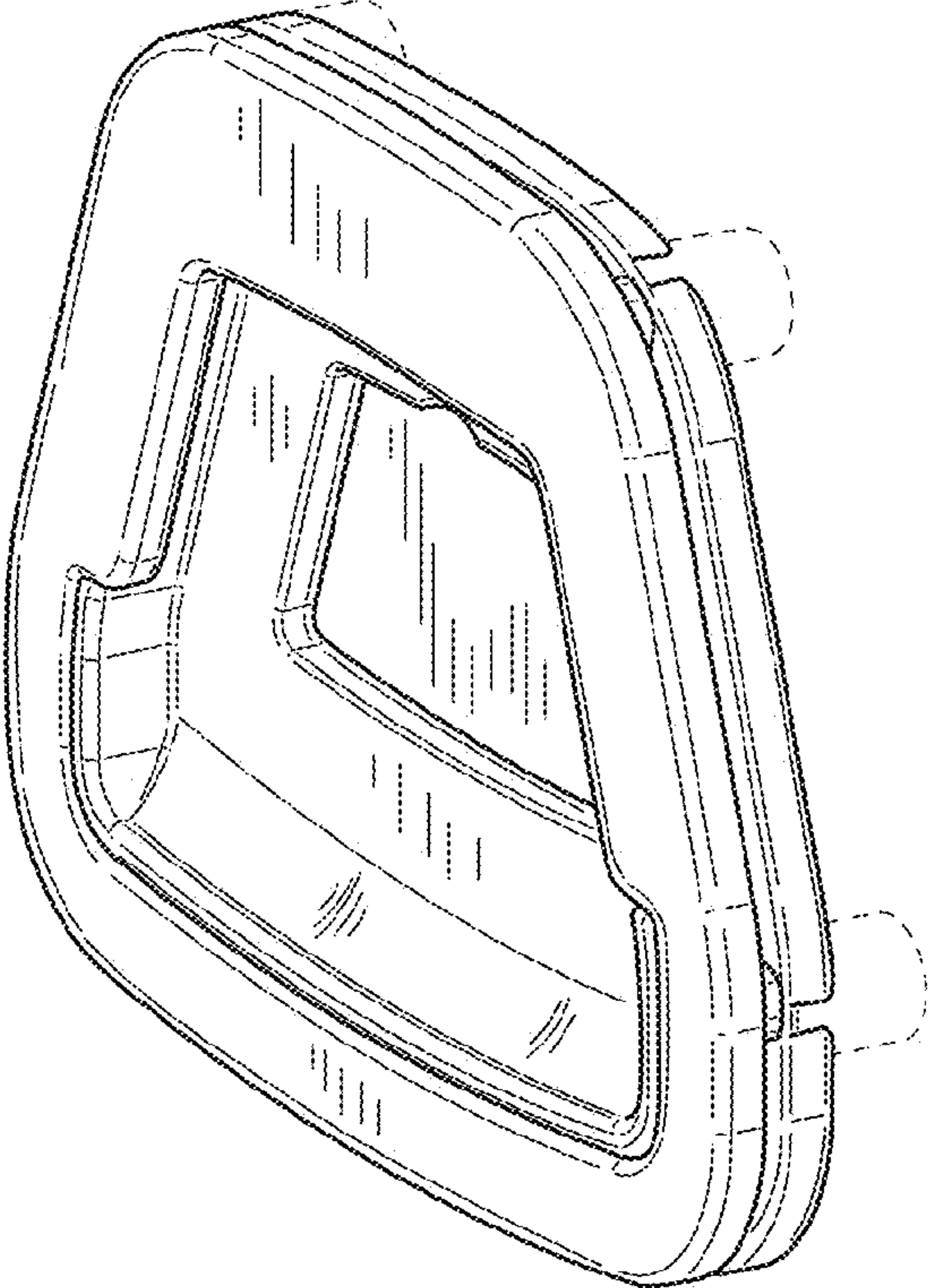


FIG. 1

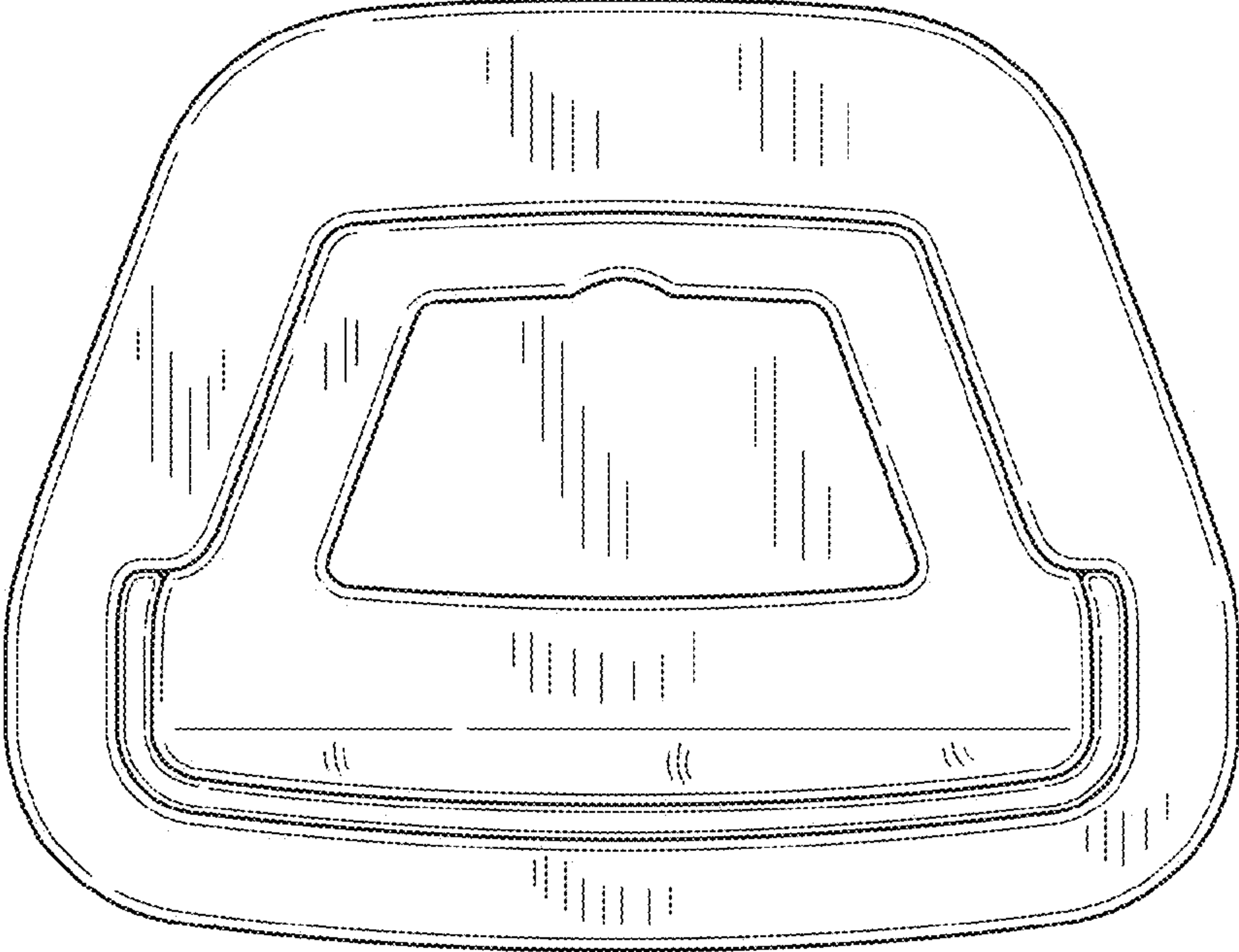


FIG. 2

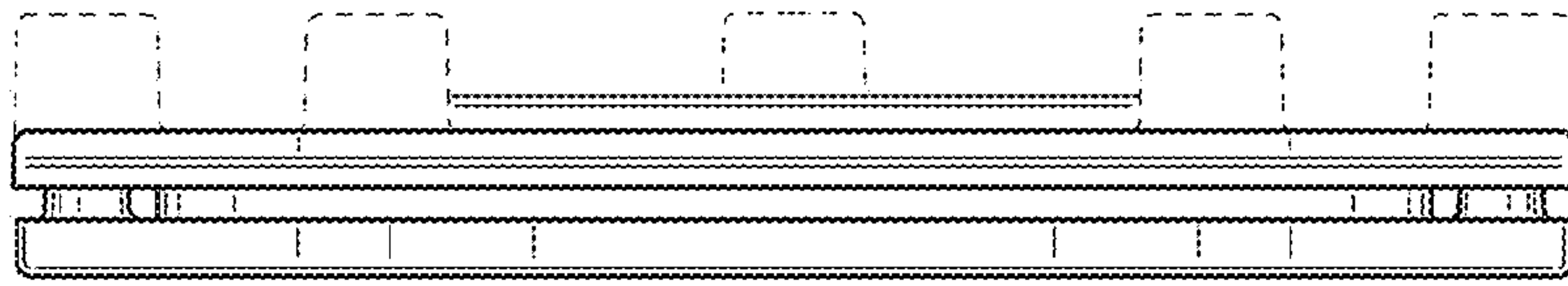


FIG.3

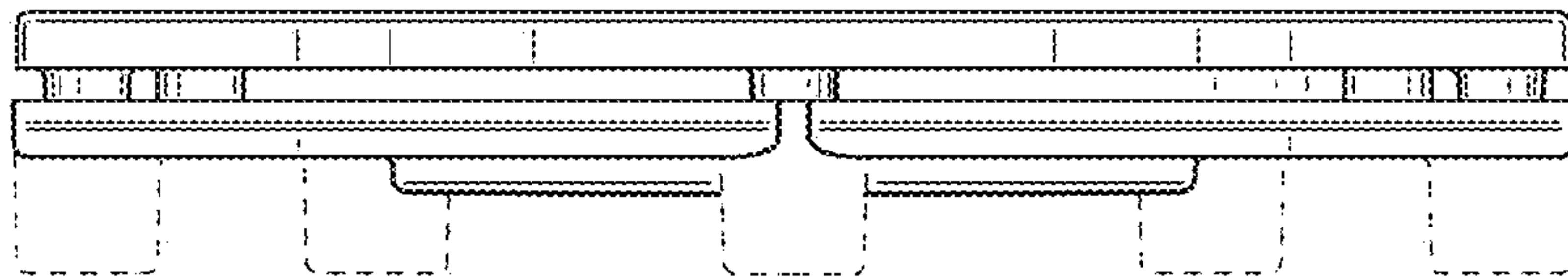


FIG.4

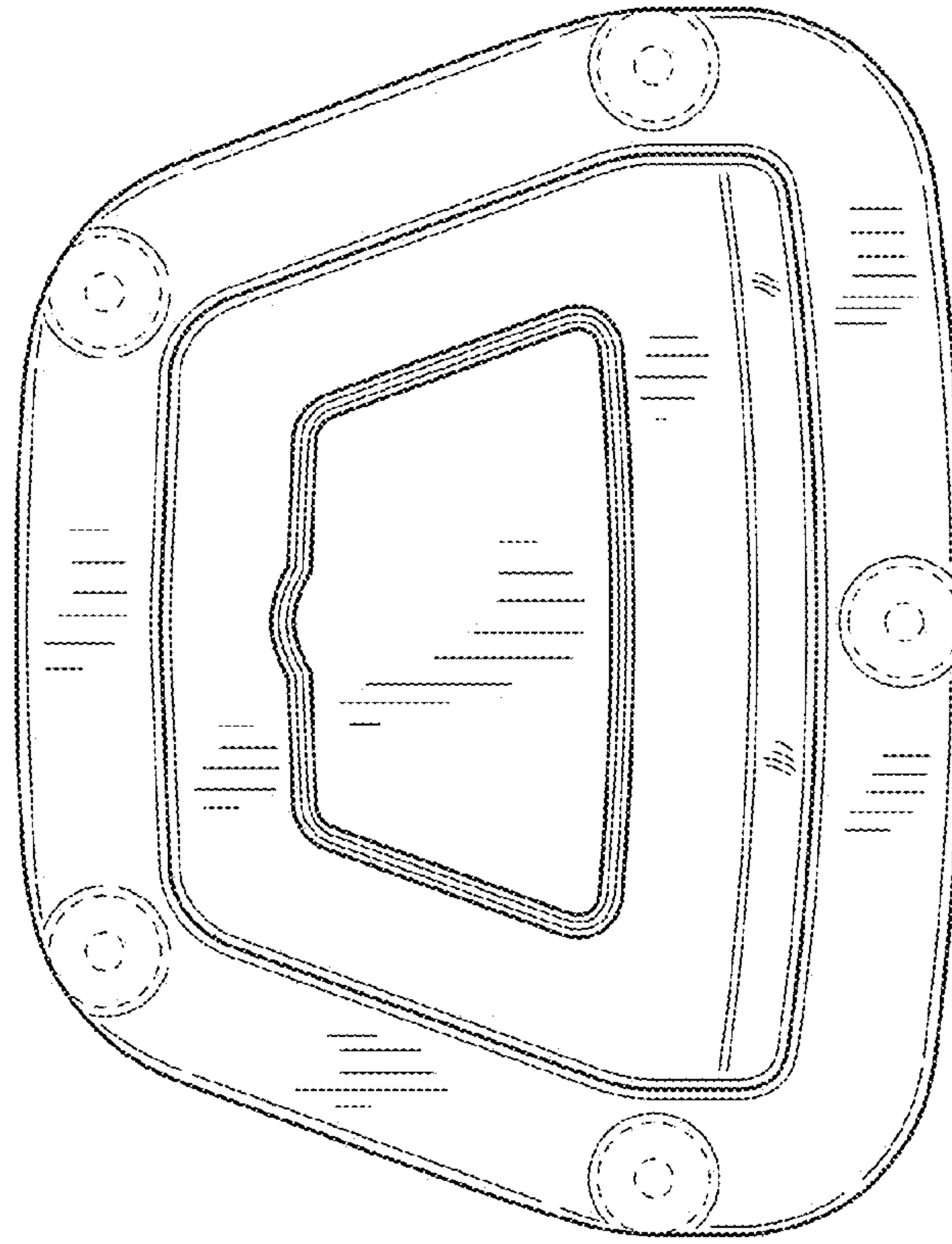


FIG.7

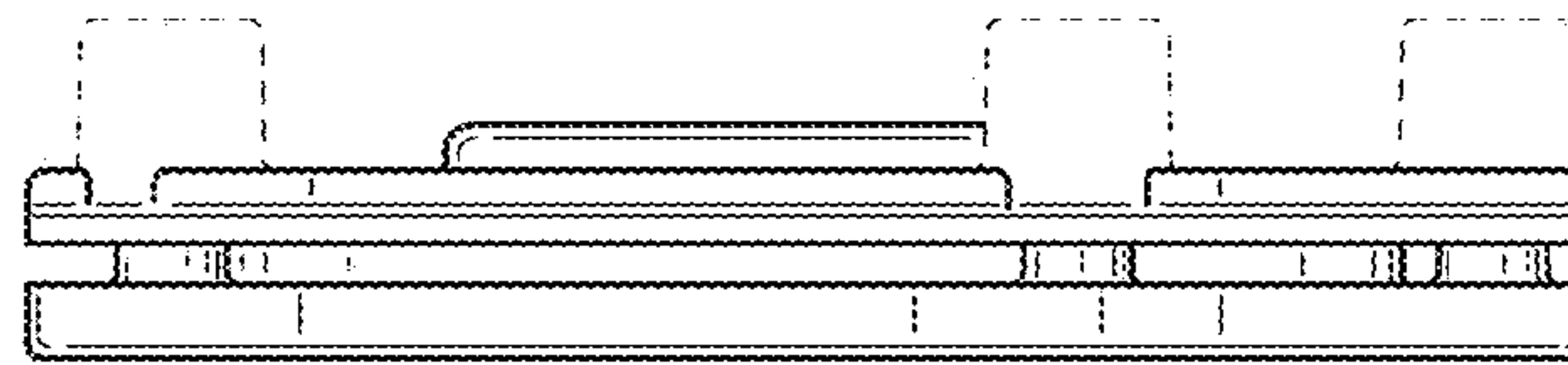


FIG.6

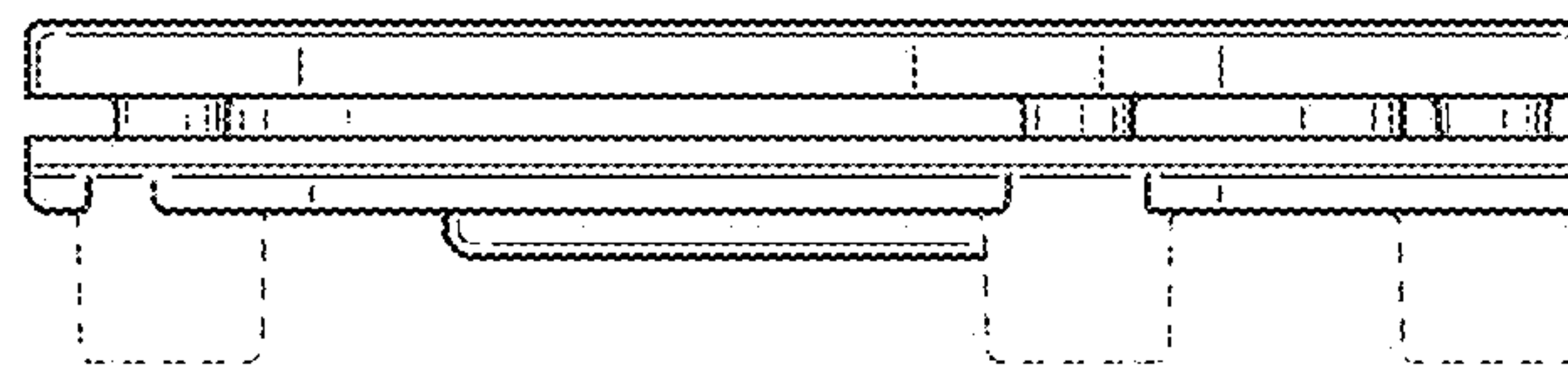


FIG.5