



US00D695016S

(12) **United States Design Patent**
Moon

(10) **Patent No.:** **US D695,016 S**

(45) **Date of Patent:** **** Dec. 10, 2013**

- (54) **HANDLE OF SUITCASE**
- (71) Applicant: **FTI Group (Holding) Company Limited**, Grand Cayman, KY (US)
- (72) Inventor: **Jerry Moon**, Taipei (TW)
- (73) Assignee: **FTI Group (Holding) Company Limited**, Grand Cayman (KY)
- (**) Term: **14 Years**
- (21) Appl. No.: **29/443,385**
- (22) Filed: **Jan. 16, 2013**
- (51) **LOC (9) Cl.** **03-01**
- (52) **U.S. Cl.**
USPC **D3/318**
- (58) **Field of Classification Search**
USPC D3/318; 190/110–118
See application file for complete search history.

D440,046 S *	4/2001	Kuo	D3/318
D447,929 S *	9/2001	Chang	D8/350
D472,713 S *	4/2003	Lee	D3/318
D491,367 S *	6/2004	Moon	D3/318
D506,313 S *	6/2005	Neumann	D3/318
D528,302 S *	9/2006	Moon	D3/318
D553,364 S *	10/2007	Moon	D3/318
D591,511 S *	5/2009	Wu	D3/318

* cited by examiner

Primary Examiner — Holly Baynham

(74) *Attorney, Agent, or Firm* — Shimokaji & Associates P.C.

(57) **CLAIM**

The ornamental design of a handle of suitcase, as shown and described.

DESCRIPTION

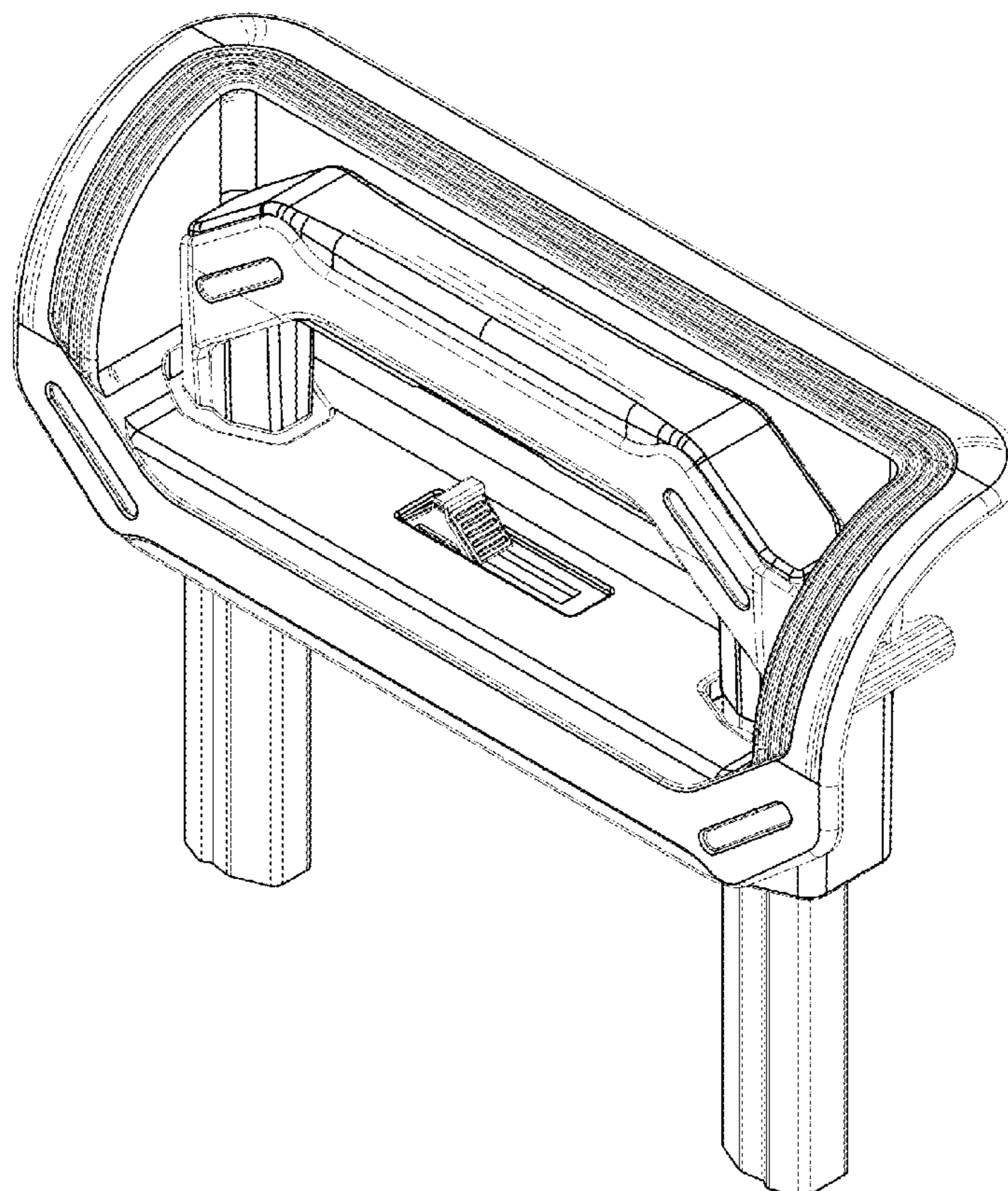
FIG. 1 is a perspective view of a handle of suitcase showing my new design;
 FIG. 2 is a front view thereof;
 FIG. 3 is a rear view thereof;
 FIG. 4 is a left side view thereof;
 FIG. 5 is a right side view thereof;
 FIG. 6 is a top view thereof; and,
 FIG. 7 is a bottom view thereof.

1 Claim, 5 Drawing Sheets

(56) **References Cited**

U.S. PATENT DOCUMENTS

D392,099 S *	3/1998	Wang	D3/318
D393,746 S *	4/1998	Wang	D3/318
D417,134 S *	11/1999	Workman	D8/350



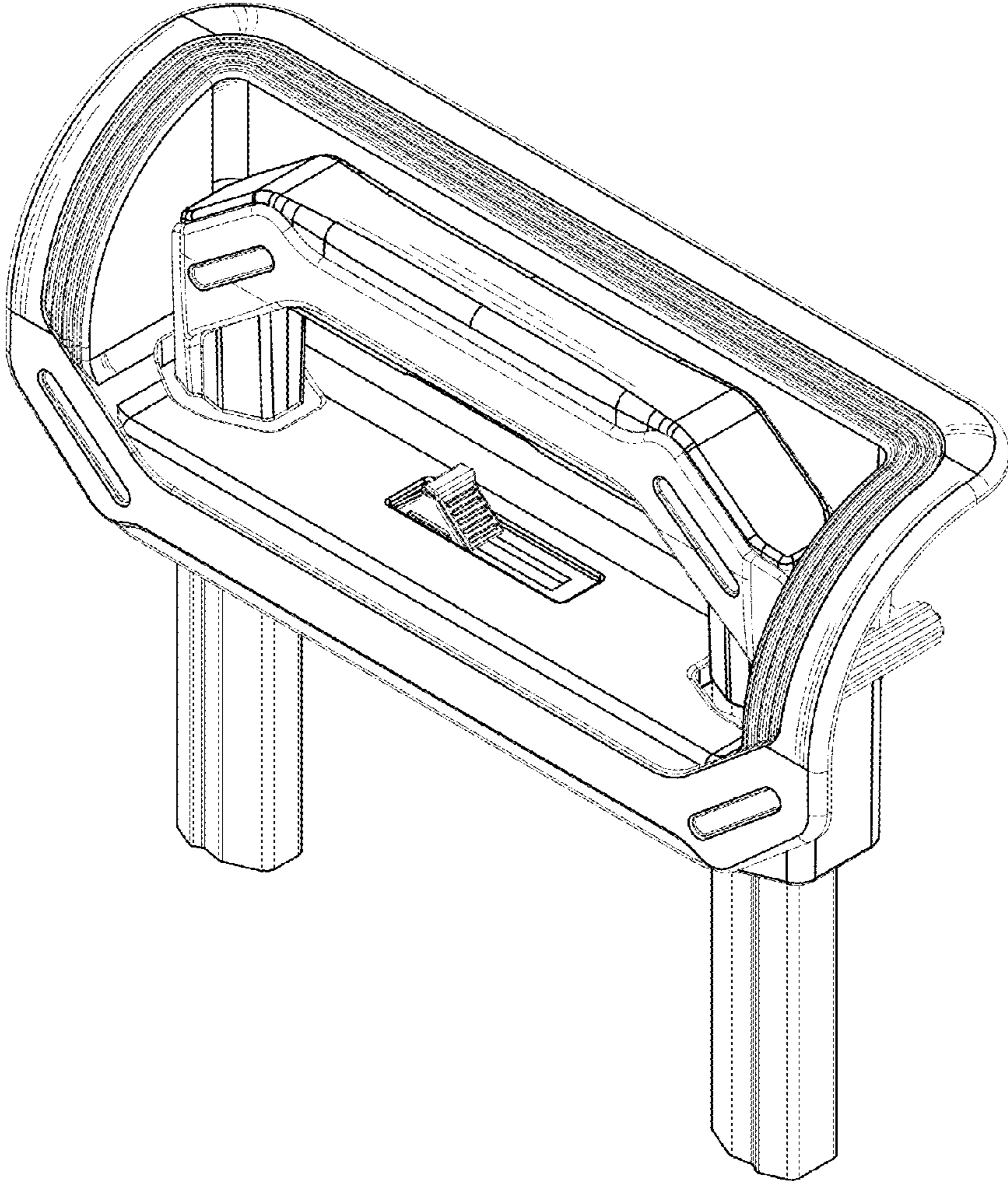


FIG. 1

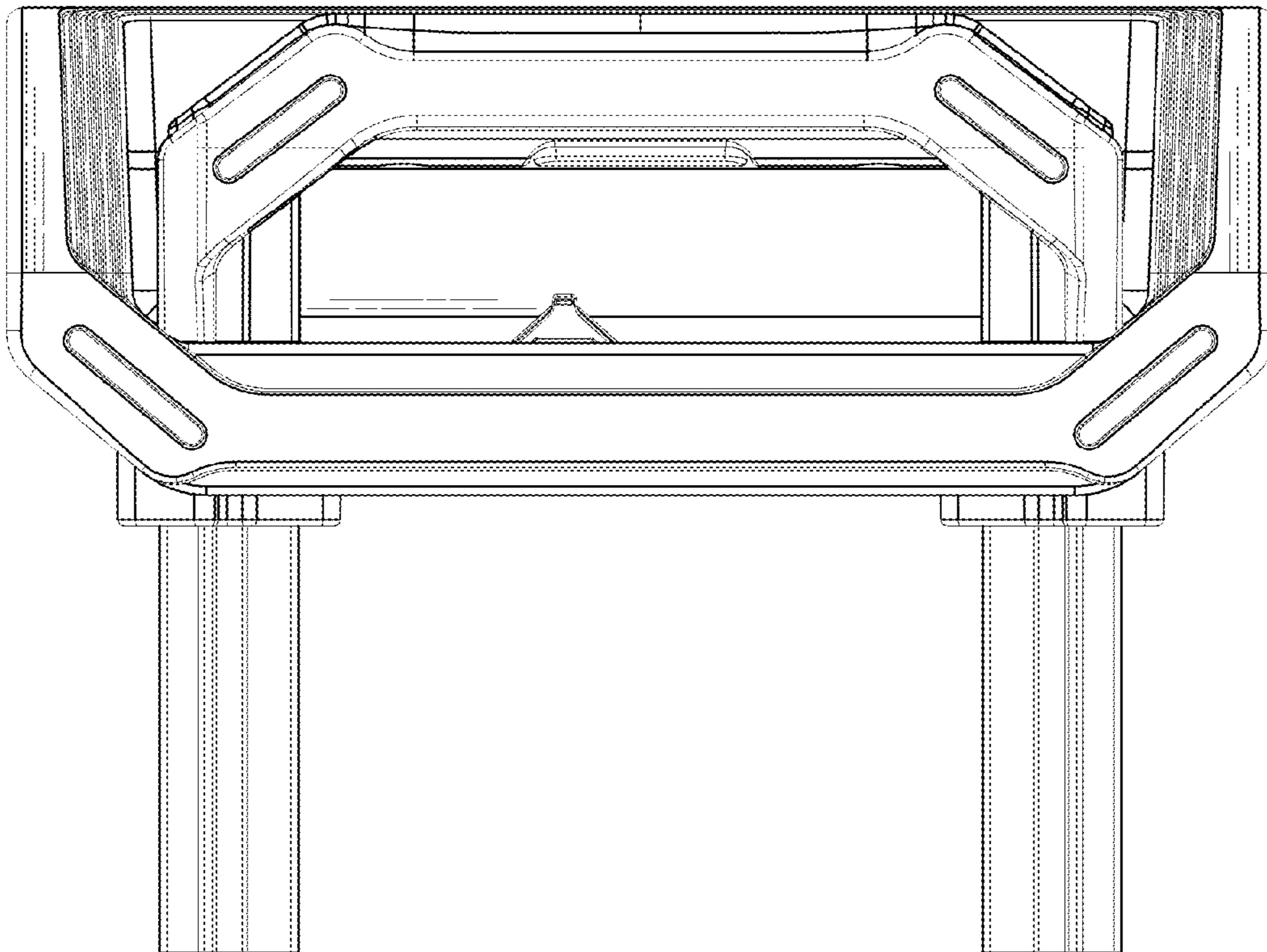


FIG. 2

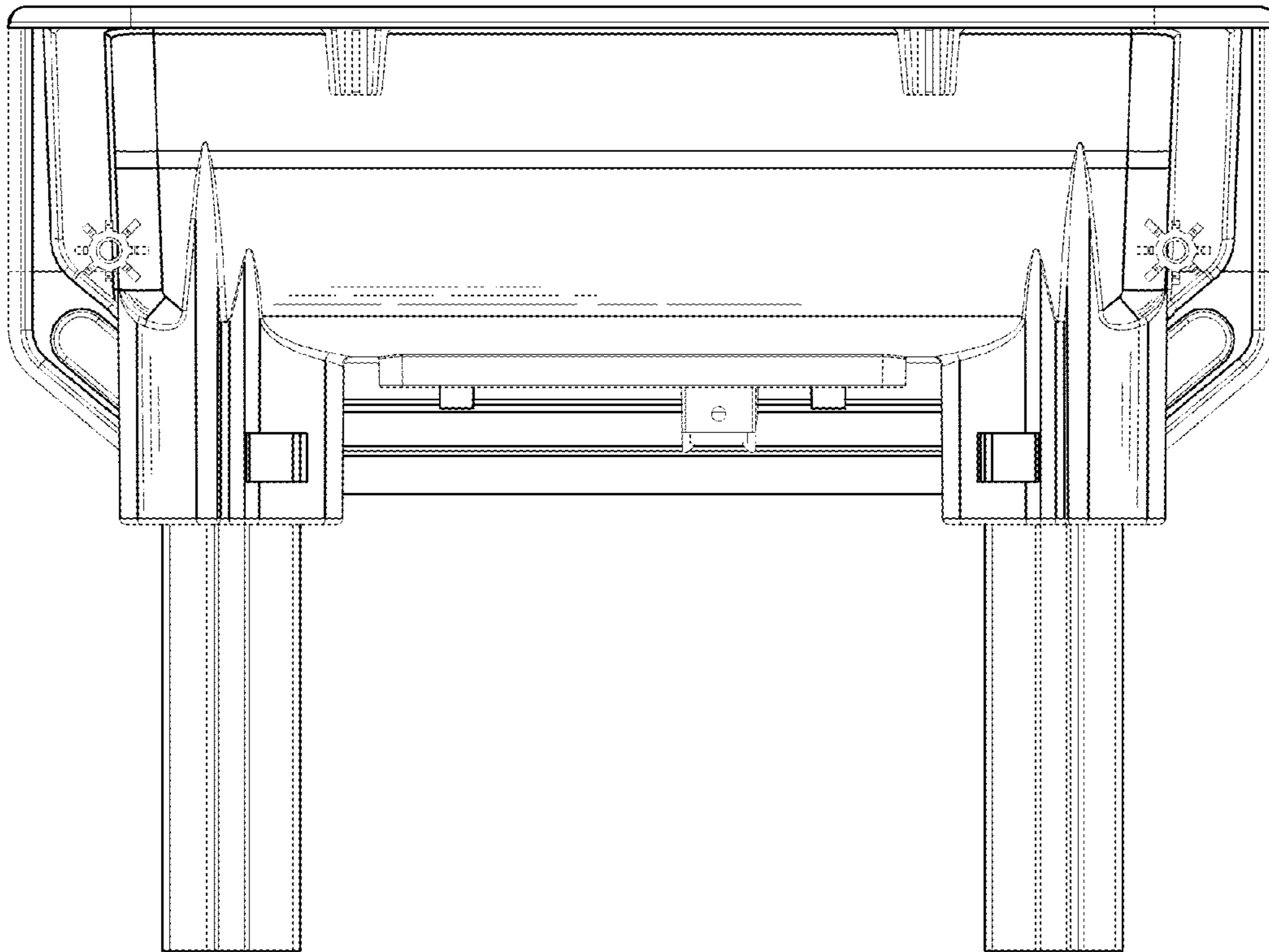


FIG. 3

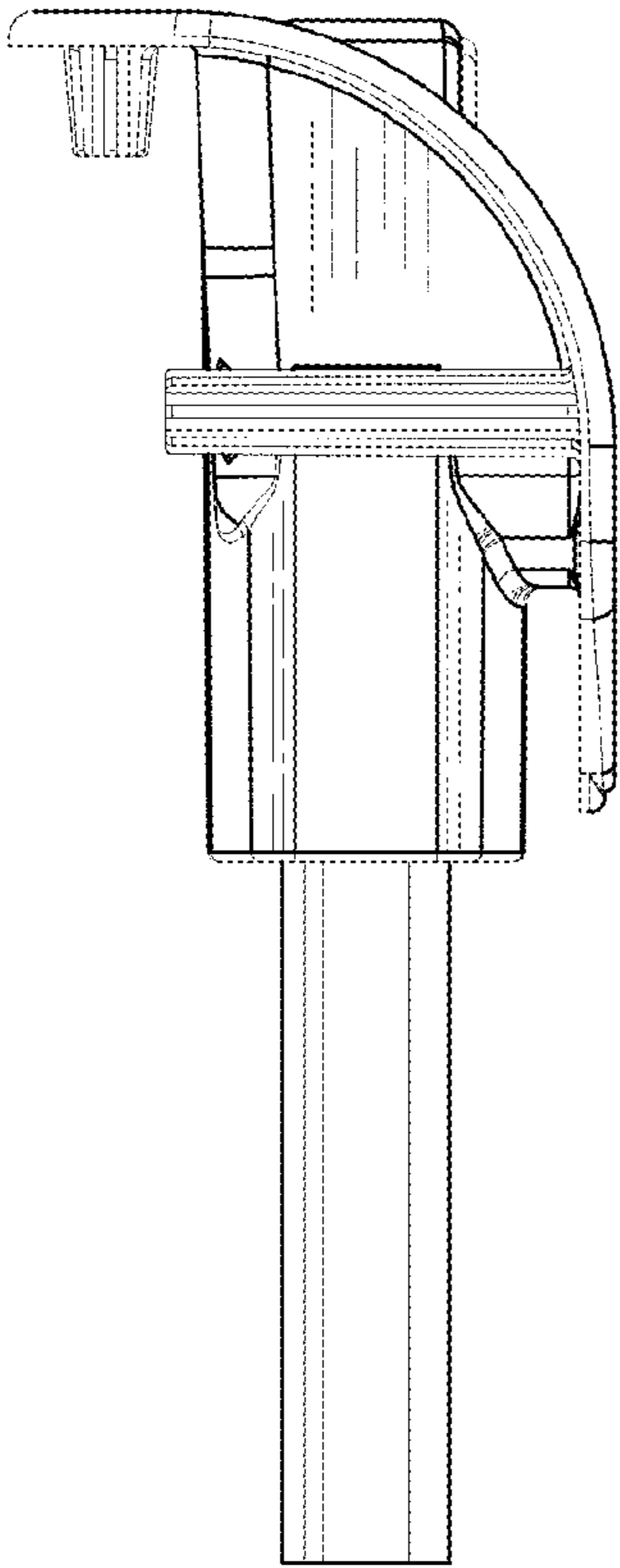


FIG. 4

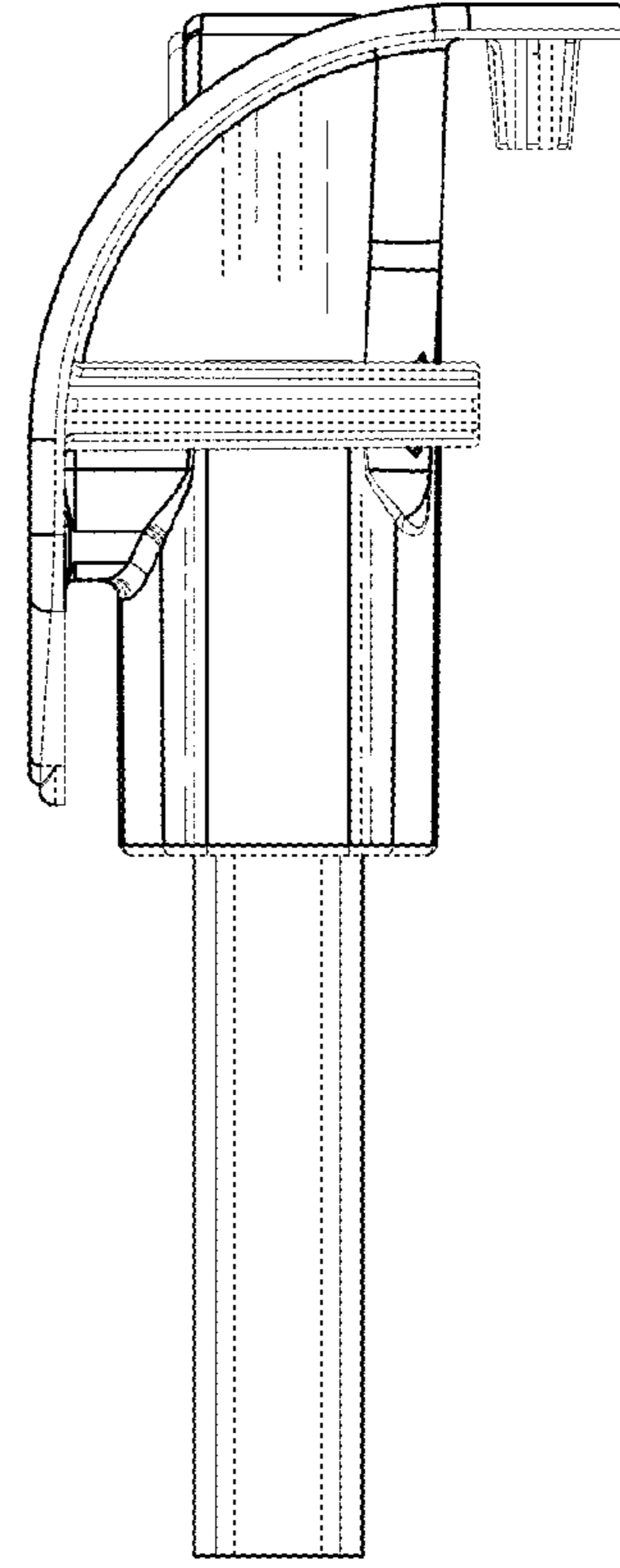


FIG. 5

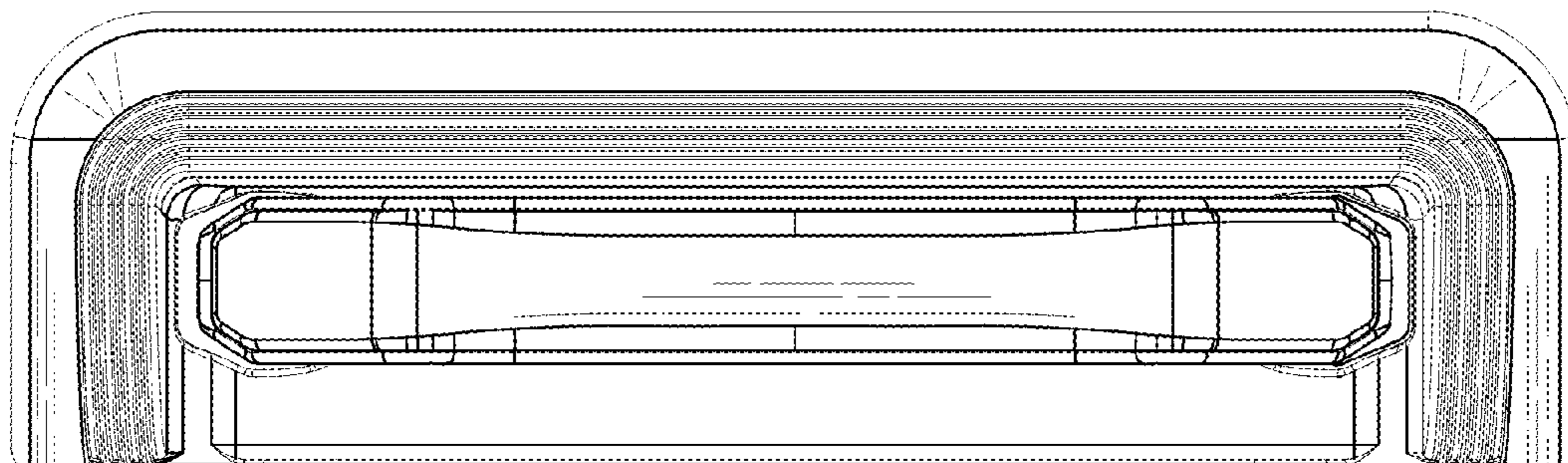


FIG. 6

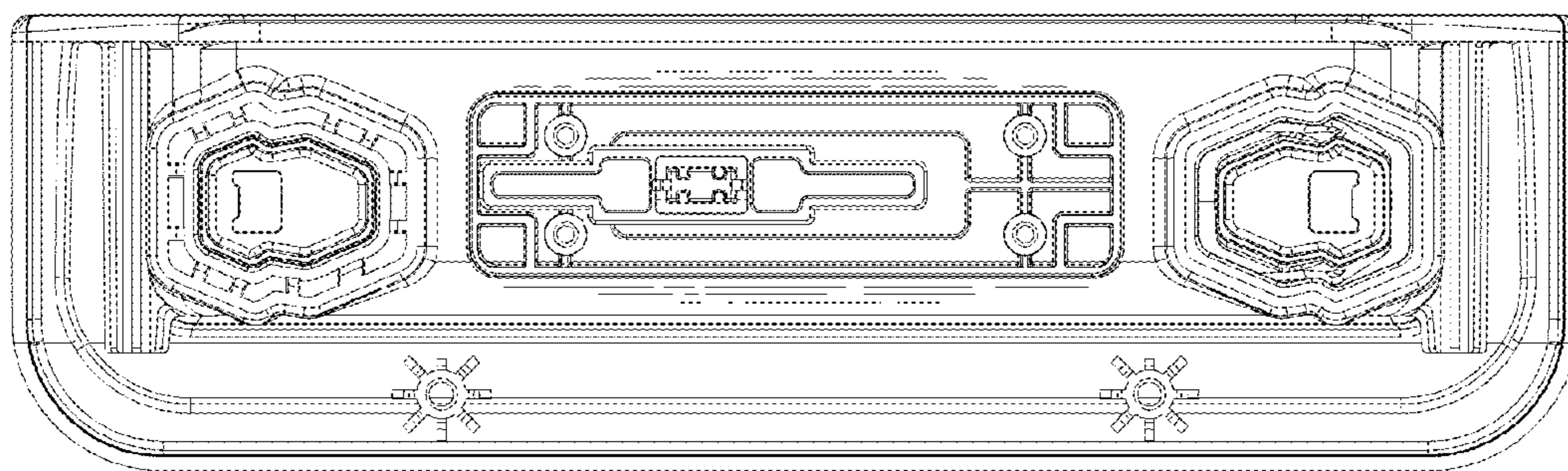


FIG. 7