



US00D695015S

(12) **United States Design Patent**
Robinson et al.

(10) **Patent No.:** **US D695,015 S**
(45) **Date of Patent:** **** Dec. 10, 2013**

(54) **LATCH FOR A CASE**
(75) Inventors: **Jonathan Shea Robinson**, Fort Collins,
CO (US); **Larry Holmes**, Fort Collins,
CO (US)
(73) Assignee: **Otter Products, LLC**, Fort Collins, CO
(US)
(**) Term: **14 Years**

D437,484 S *	2/2001	Tiramani et al.	D3/279
D443,133 S	6/2001	Richardson et al.	
D472,384 S	4/2003	Richardson	
D513,123 S	12/2005	Richardson et al.	
D513,451 S	1/2006	Richardson et al.	
D514,808 S	2/2006	Morine et al.	
D516,309 S	3/2006	Richardson et al.	
D516,807 S	3/2006	Richardson et al.	
D579,201 S *	10/2008	Galli	D3/273
D635,366 S *	4/2011	Luburic	D3/318
D651,804 S *	1/2012	Chen et al.	D3/318
D682,047 S *	5/2013	Myoung	D7/629

(21) Appl. No.: **29/429,924**

* cited by examiner

(22) Filed: **Aug. 19, 2012**

Primary Examiner — Sandra Snapp

(51) **LOC (9) Cl.** **03-01**

(57) **CLAIM**

(52) **U.S. Cl.**
USPC **D3/318**

The ornamental design for a latch for a case, as shown and described.

(58) **Field of Classification Search**
USPC D3/234, 255, 271.9, 320, 256, 262, 279,
D3/299, 301, 303, 318, 319, 273, 289, 292,
D3/294–296, 232, 244; D9/424, 420;
D27/189; 206/349; 220/833; 312/902;
190/100

DESCRIPTION

See application file for complete search history.

FIG. 1 is a front isometric view of a latch for a case showing our new design;
FIG. 2 is a rear isometric view thereof;
FIG. 3 is a front view thereof;
FIG. 4 is a left view thereof;
FIG. 5 is a right view thereof;
FIG. 6 is a top view thereof; and,
FIG. 7 is a bottom view thereof.

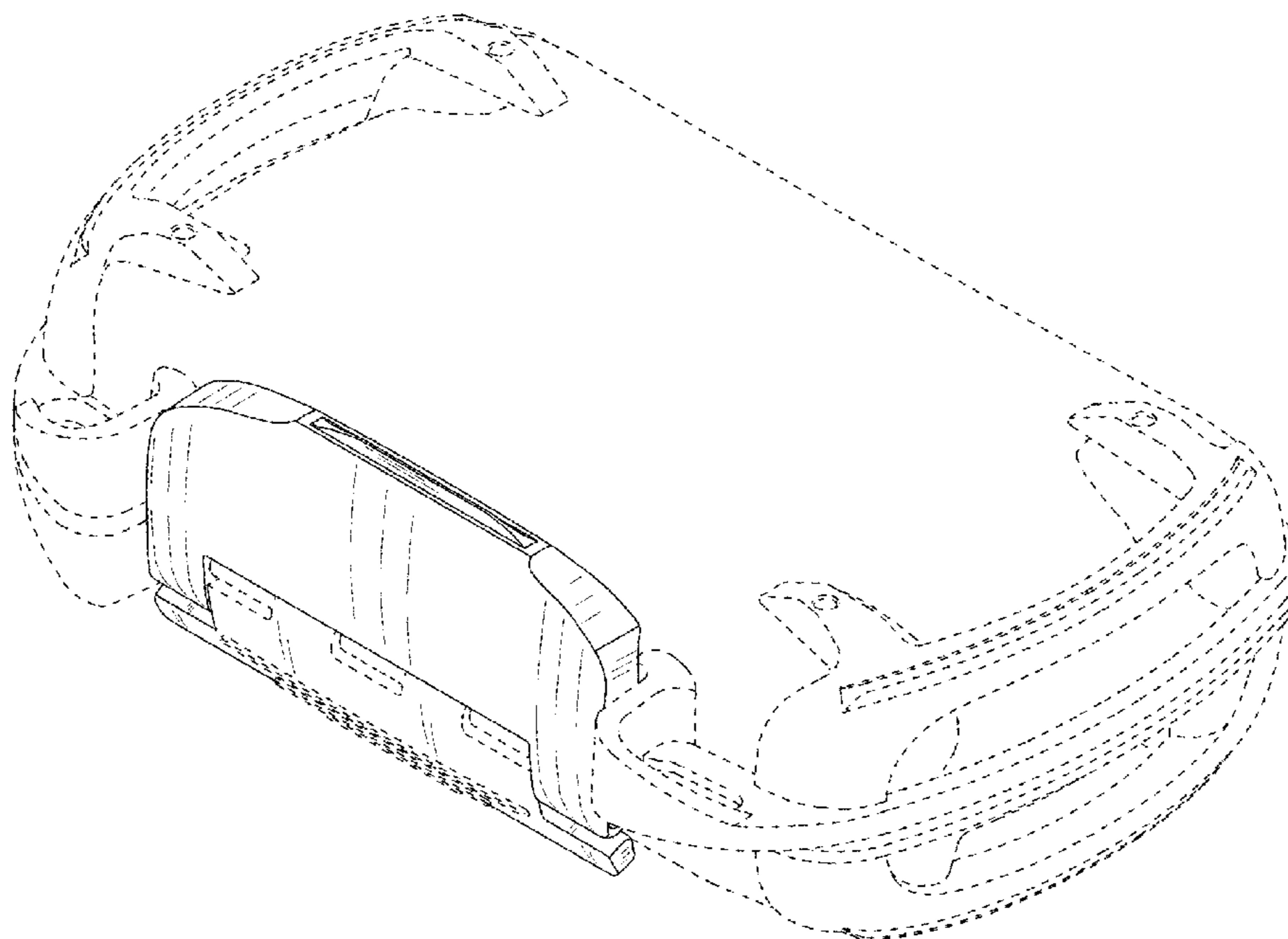
The broken lines immediately adjacent the shaded surfaces represent boundaries of the claimed design. All other broken lines depict unclaimed environment. The broken lines and unshaded regions bounded by the broken lines form no part of the claimed design.

(56) **References Cited**

U.S. PATENT DOCUMENTS

D328,818 S *	8/1992	Hanna et al.	D3/281
D367,360 S *	2/1996	Wolff	D3/323
5,826,718 A *	10/1998	Ahern et al.	206/372
D404,916 S *	2/1999	Dickinson et al.	D3/281
D419,297 S	1/2000	Richardson et al.	
D419,767 S	2/2000	Richardson et al.	
D419,768 S	2/2000	Richardson et al.	

1 Claim, 7 Drawing Sheets



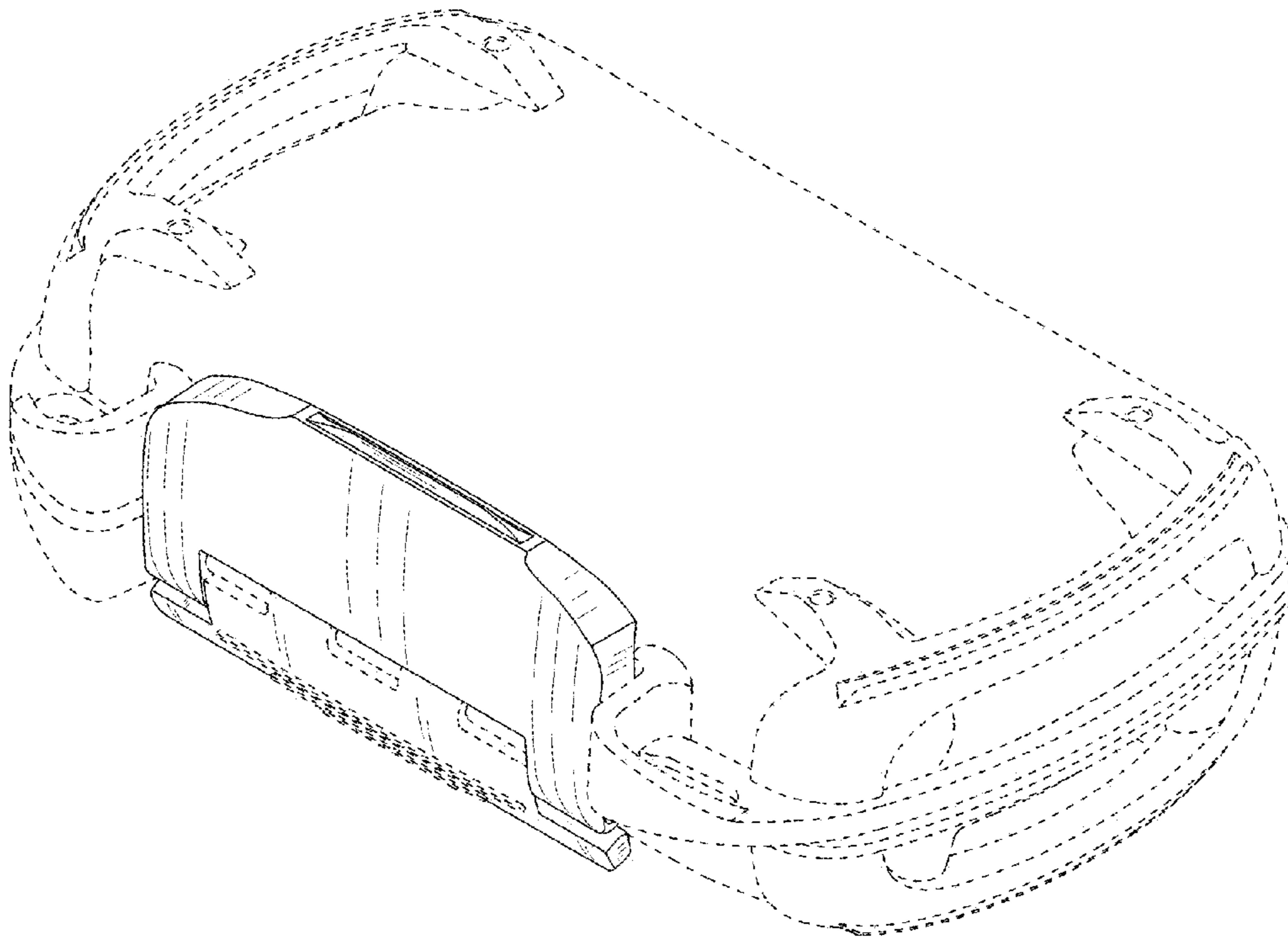


FIG. 1

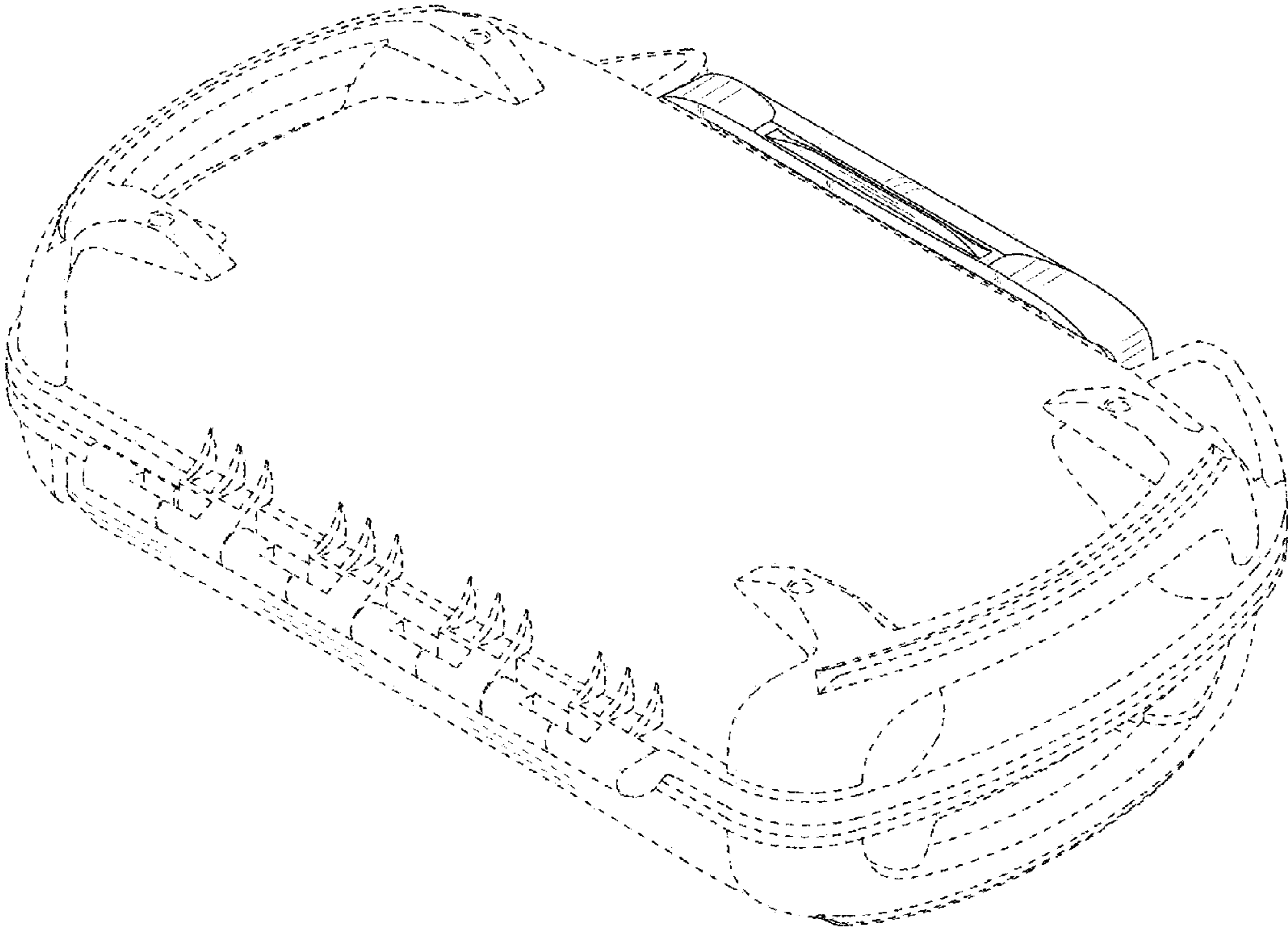


FIG. 2

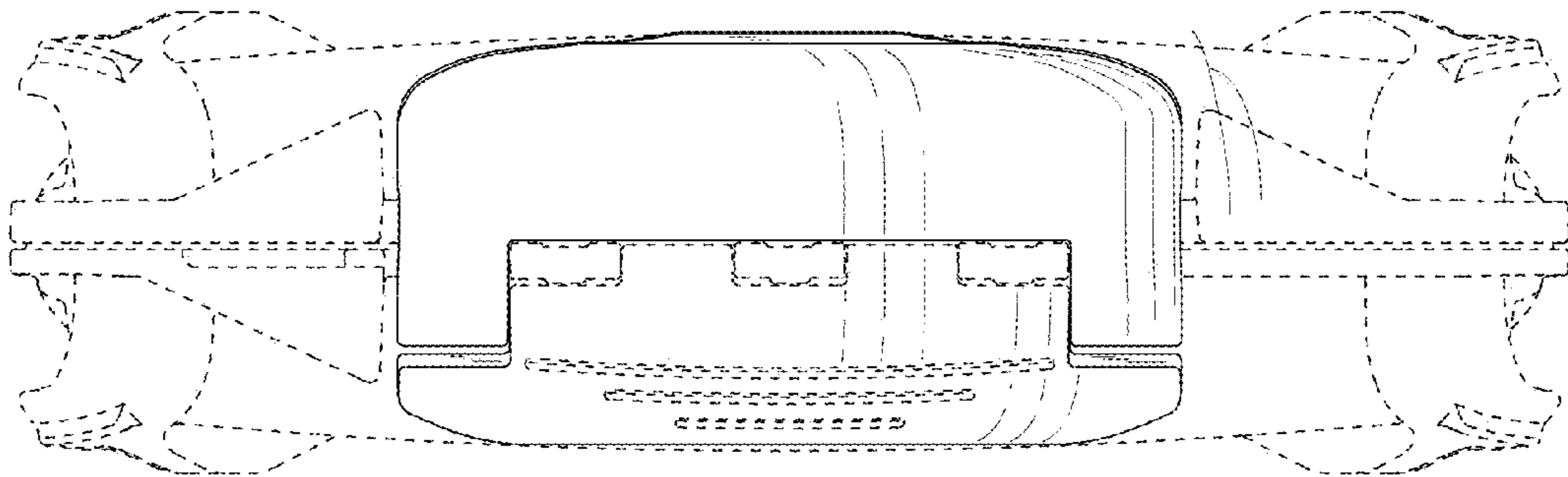


FIG. 3

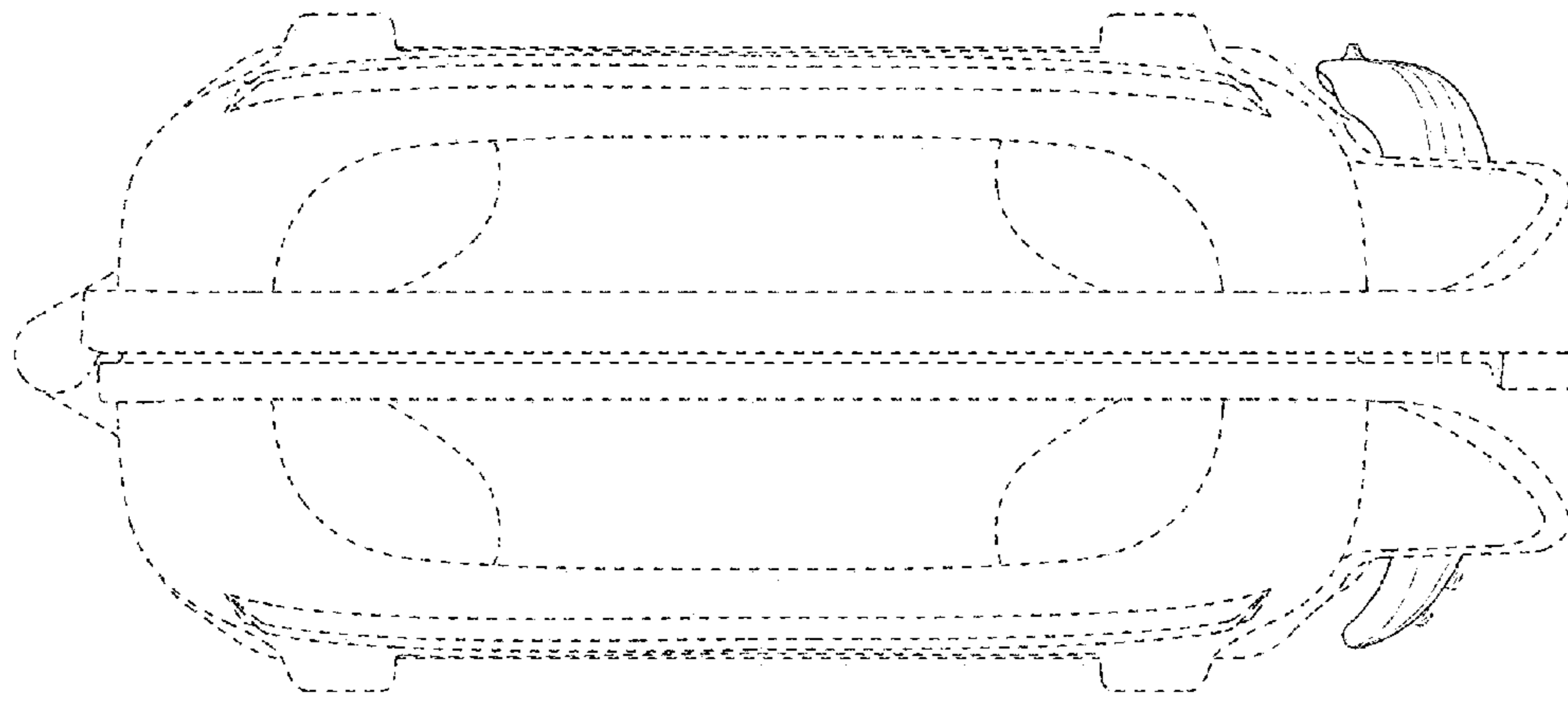


FIG. 4

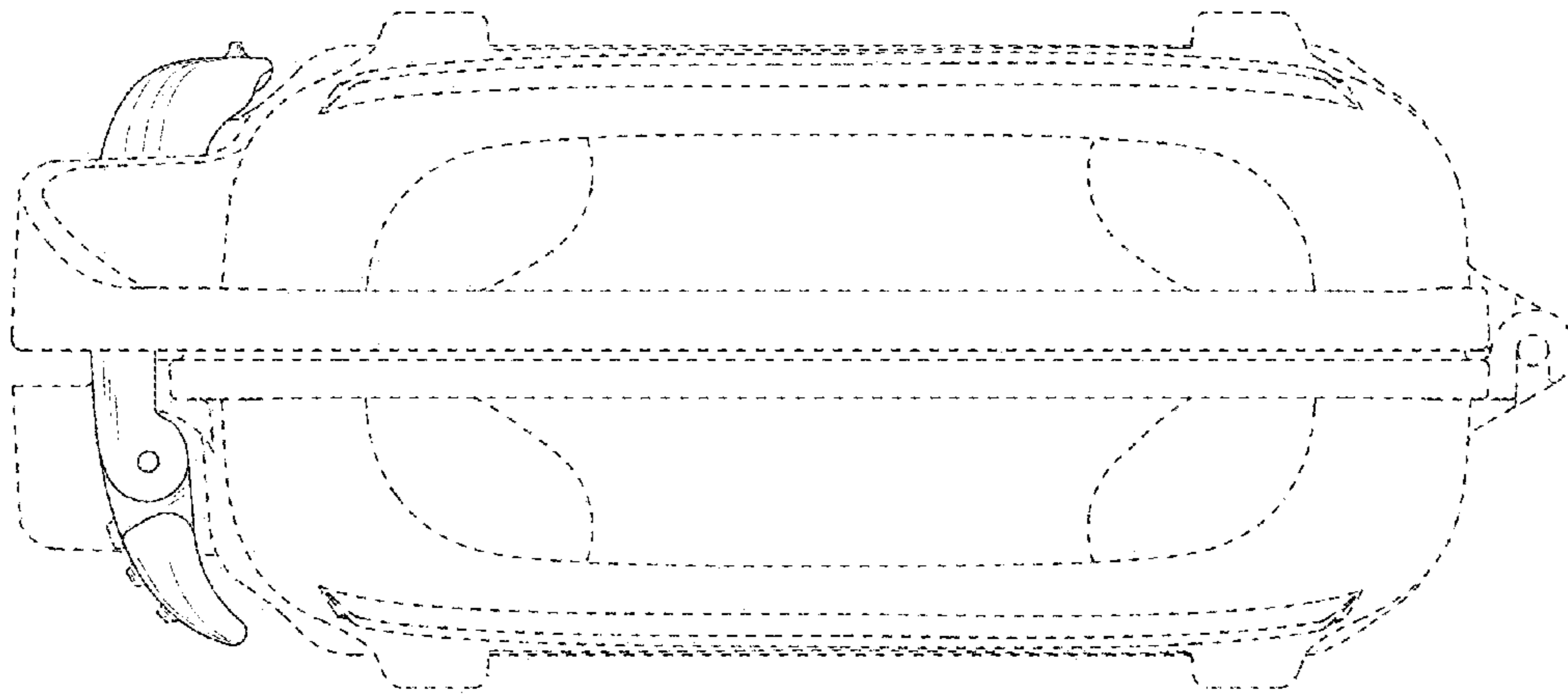


FIG. 5

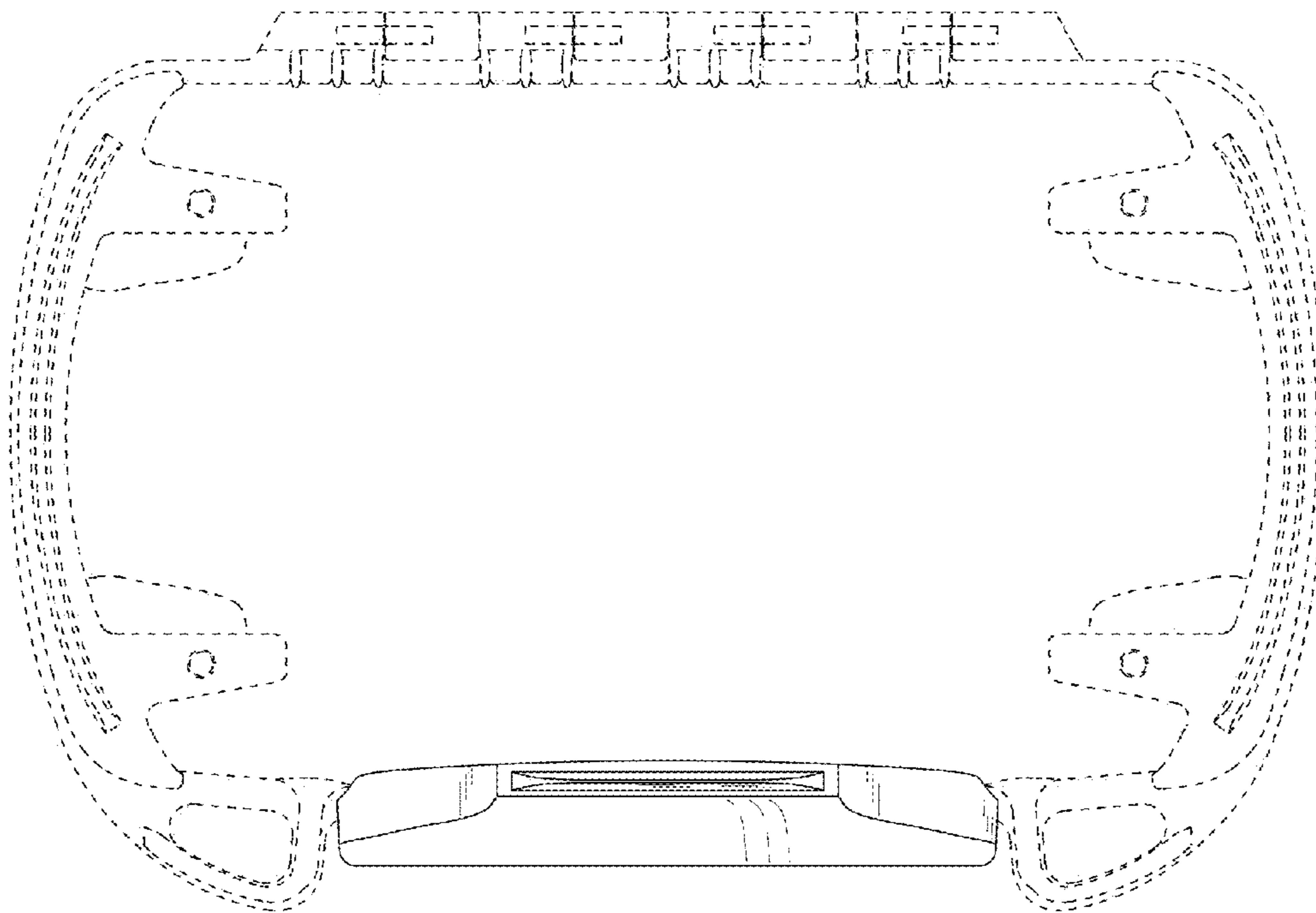


FIG. 6

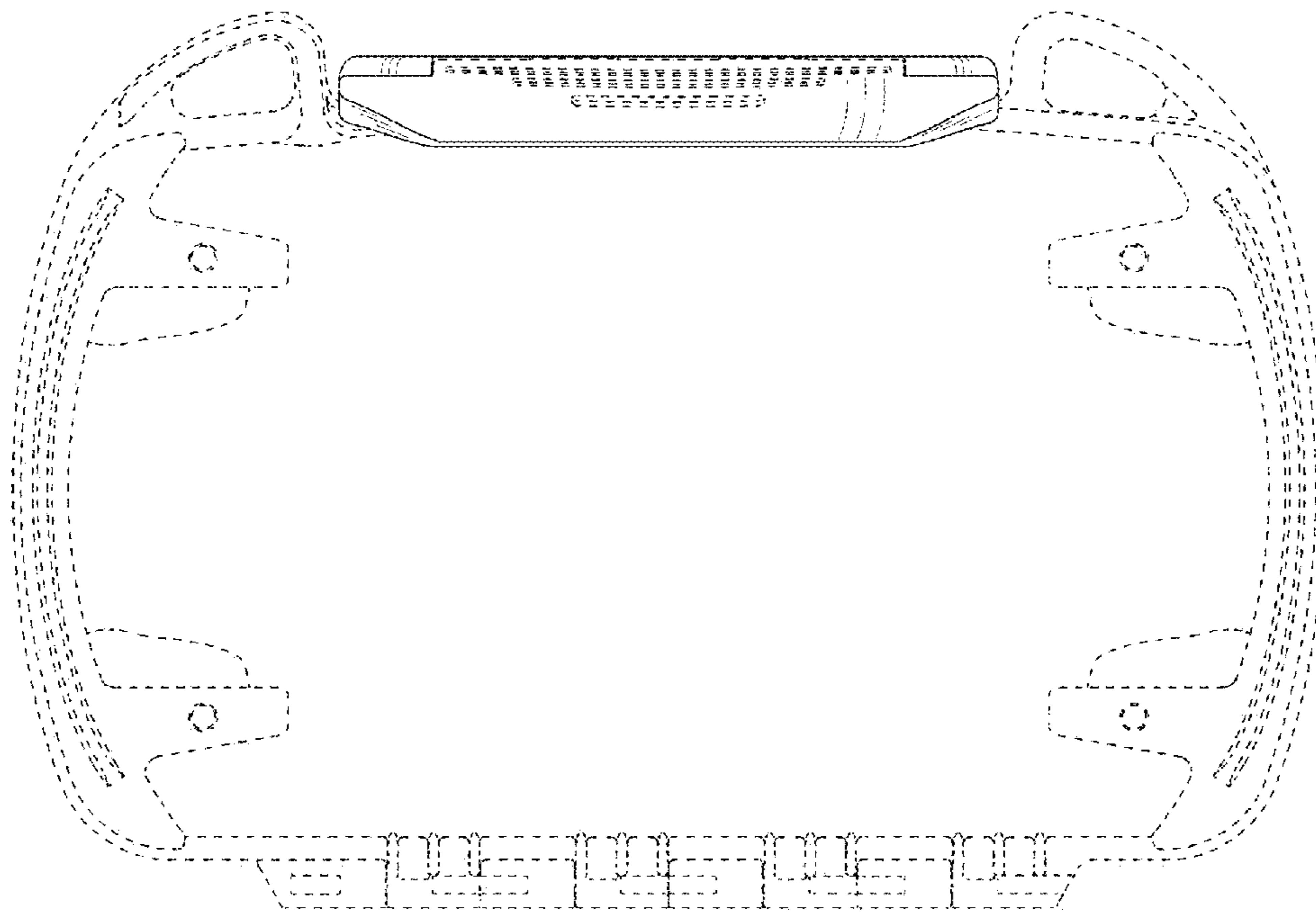


FIG. 7