



US00D695014S

(12) **United States Design Patent**  
**Mori et al.**

(10) **Patent No.:** **US D695,014 S**

(45) **Date of Patent:** **\*\* Dec. 10, 2013**

(54) **PACKAGE SUITABLE FOR TEMPORARILY  
STORING CONTACT LENSES**

(75) Inventors: **Osamu Mori**, Kasugai (JP); **Azusa  
Kumazawa**, Nagoya (JP); **Akihisa  
Sugiyama**, Ichinomiya (JP)

(73) Assignee: **Menicon Co., Ltd.**, Aichi (JP)

(\*\*) Term: **14 Years**

(21) Appl. No.: **29/403,304**

(22) Filed: **Oct. 4, 2011**

(51) **LOC (9) Cl.** ..... **03-01**

(52) **U.S. Cl.**  
USPC ..... **D3/264**

(58) **Field of Classification Search**  
USPC ..... D3/219, 252, 263, 264, 265; 206/5, 5.1,  
206/6  
See application file for complete search history.

(56) **References Cited**

U.S. PATENT DOCUMENTS

D174,666	S	*	5/1955	Tiffenberg	.....	D3/263
3,089,500	A	*	5/1963	Stalcup	.....	134/156
D204,162	S	*	3/1966	Di Petrillo	.....	D3/264
D205,014	S	*	6/1966	LeGrand	.....	D3/264
3,268,068	A	*	8/1966	Le Grand	.....	206/5
D265,098	S	*	6/1982	Crowe	.....	D3/264
4,823,944	A	*	4/1989	Ryder	.....	206/5.1
D353,712	S	*	12/1994	Aalders	.....	D14/510
D357,804	S	*	5/1995	Abrams et al.	.....	D3/264
D364,739	S	*	12/1995	Okamoto et al.	.....	D3/263
D369,240	S	*	4/1996	Newby, Sr.	.....	D3/268
D379,263	S	*	5/1997	Sussman	.....	D3/264
D433,230	S	*	11/2000	Ellis	.....	D3/263
D511,039	S	*	11/2005	Gerard et al.	.....	D3/264
D540,035	S	*	4/2007	Gerard et al.	.....	D3/264
7,275,275	B2	*	10/2007	Pankow et al.	.....	15/104.92

D555,900	S	*	11/2007	Pippin	.....	D3/265
7,331,449	B2	*	2/2008	Pinchassi Dar et al.	.....	206/5.1
7,540,376	B2	*	6/2009	Mahieu et al.	.....	206/5.1
2005/0087453	A1	*	4/2005	Mahieu et al.	.....	206/5.1
2011/0031137	A1	*	2/2011	Newman et al.	.....	206/5.1

\* cited by examiner

*Primary Examiner* — T. Chase Nelson

(74) *Attorney, Agent, or Firm* — Oliff & Berridge, PLC

(57) **CLAIM**

The ornamental design for a package suitable for temporarily storing contact lenses, as shown and described.

**DESCRIPTION**

FIG. 1 is a top perspective view of a package suitable for temporarily storing contact lenses showing our new design where a lid is open;

FIG. 2 is a front elevational view thereof;

FIG. 3 is a rear elevational view thereof;

FIG. 4 is a left side elevational view thereof;

FIG. 5 is a right side elevational view thereof;

FIG. 6 is a top plan view thereof;

FIG. 7 is a bottom plan view thereof;

FIG. 8 is a cross sectional view taken along line 8-8 of FIG. 6;

FIG. 9 is a cross sectional view taken along line 9-9 of FIG. 6;

FIG. 10 is a top perspective view of the package suitable for temporarily storing contact lenses of FIG. 1 where the lid is closed;

FIG. 11 is a front elevational view thereof;

FIG. 12 is a rear elevational view thereof;

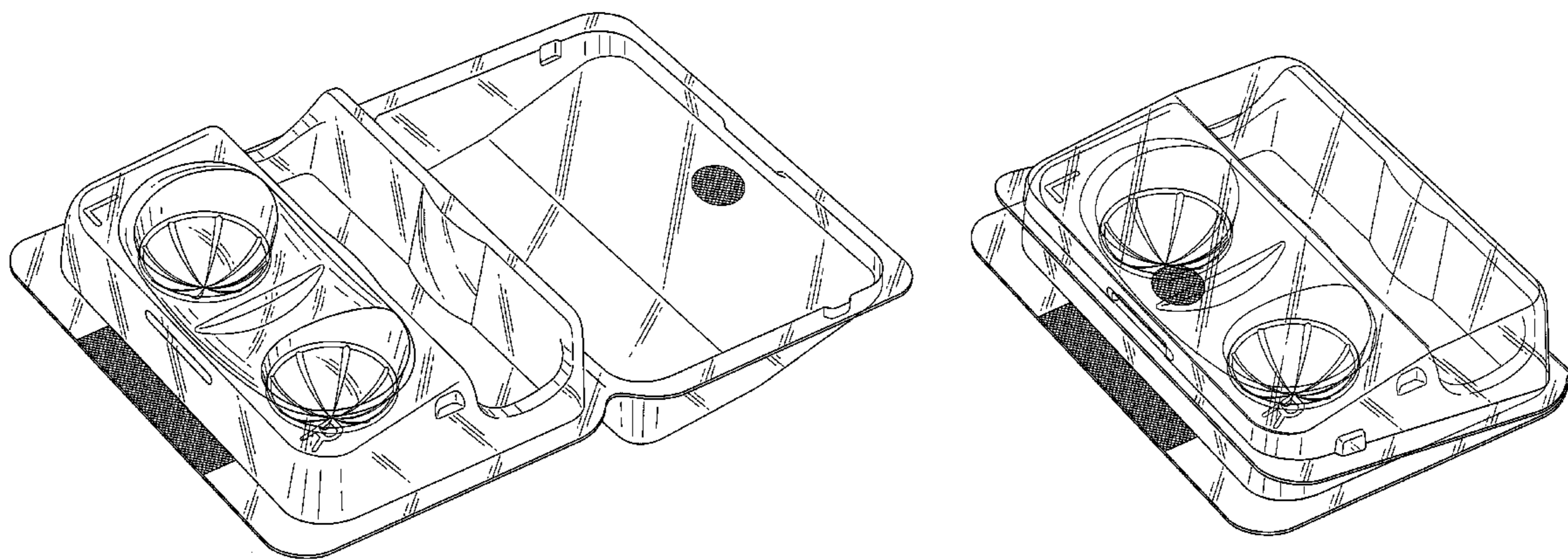
FIG. 13 is a left side elevational view thereof;

FIG. 14 is a right side elevational view thereof;

FIG. 15 is a top plan view thereof; and,

FIG. 16 is a bottom plan view thereof.

**1 Claim, 9 Drawing Sheets**



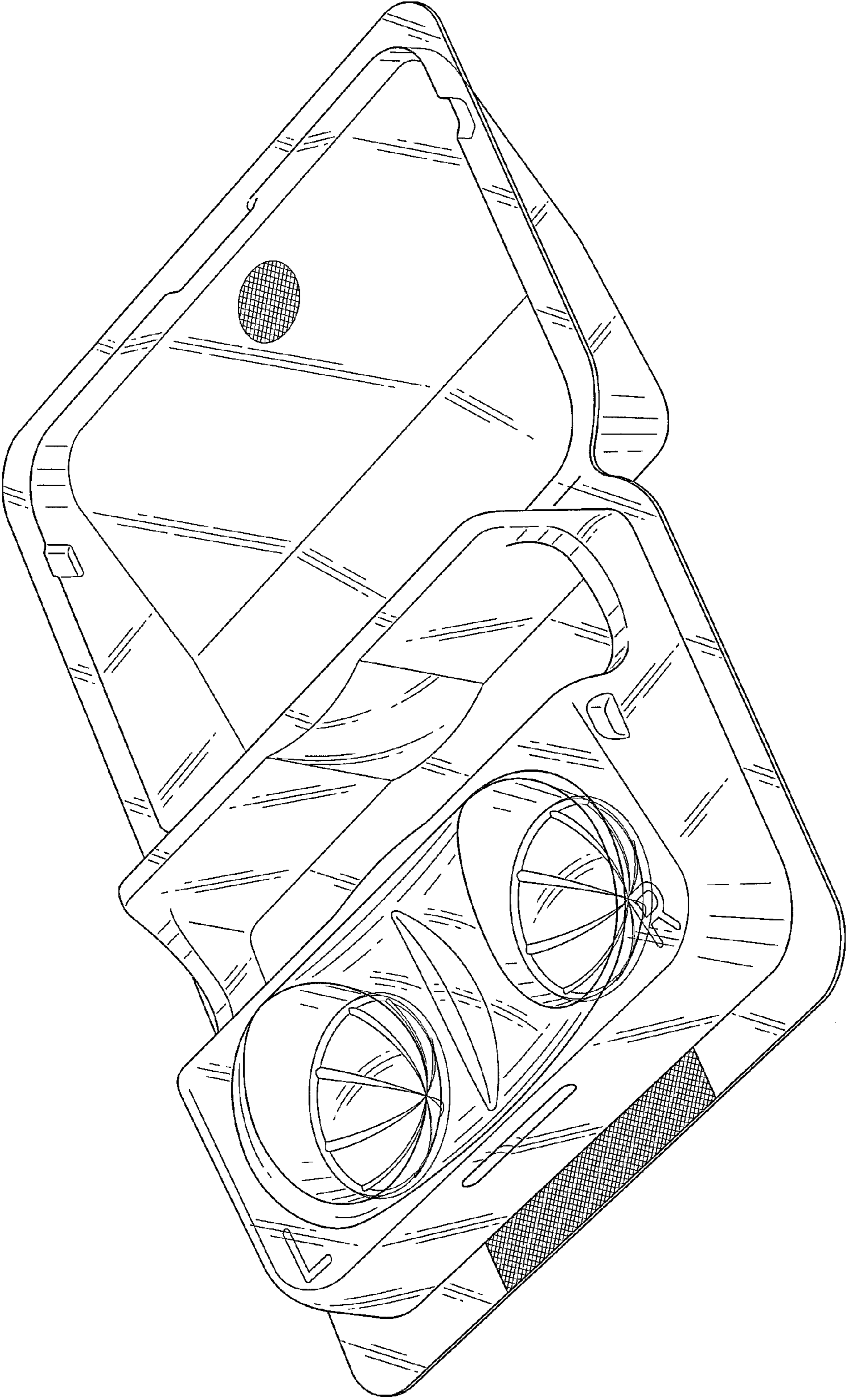
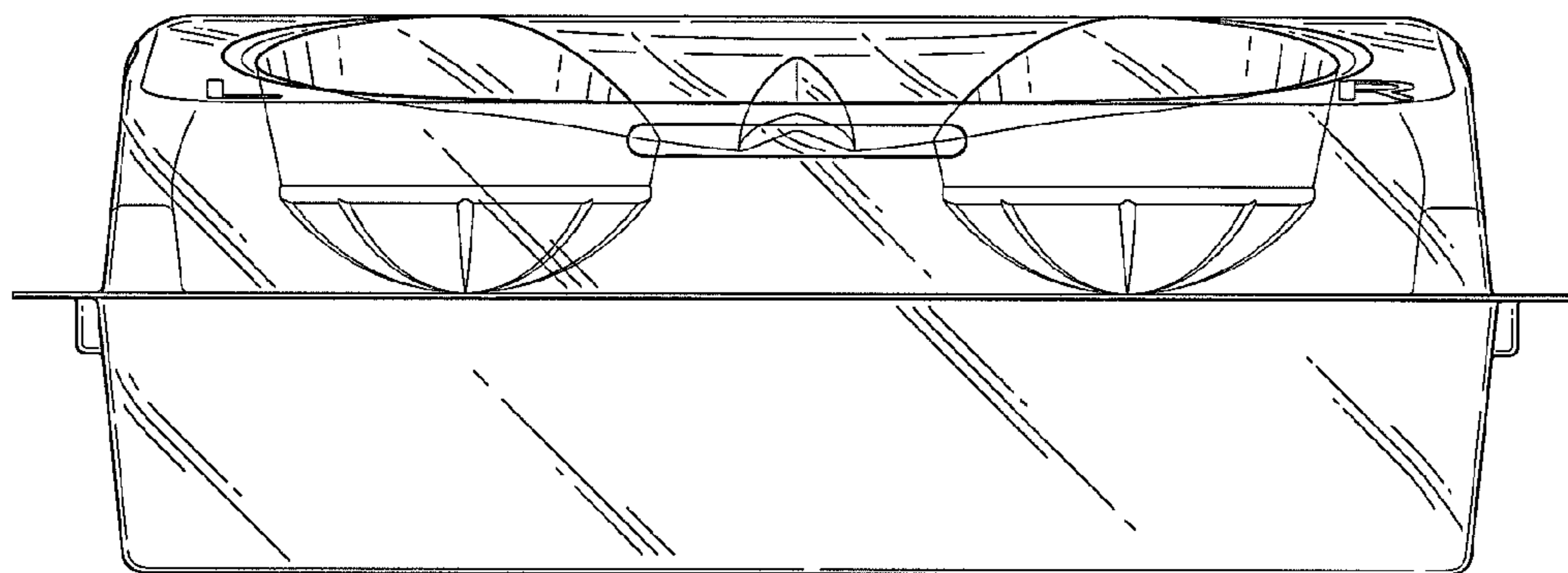
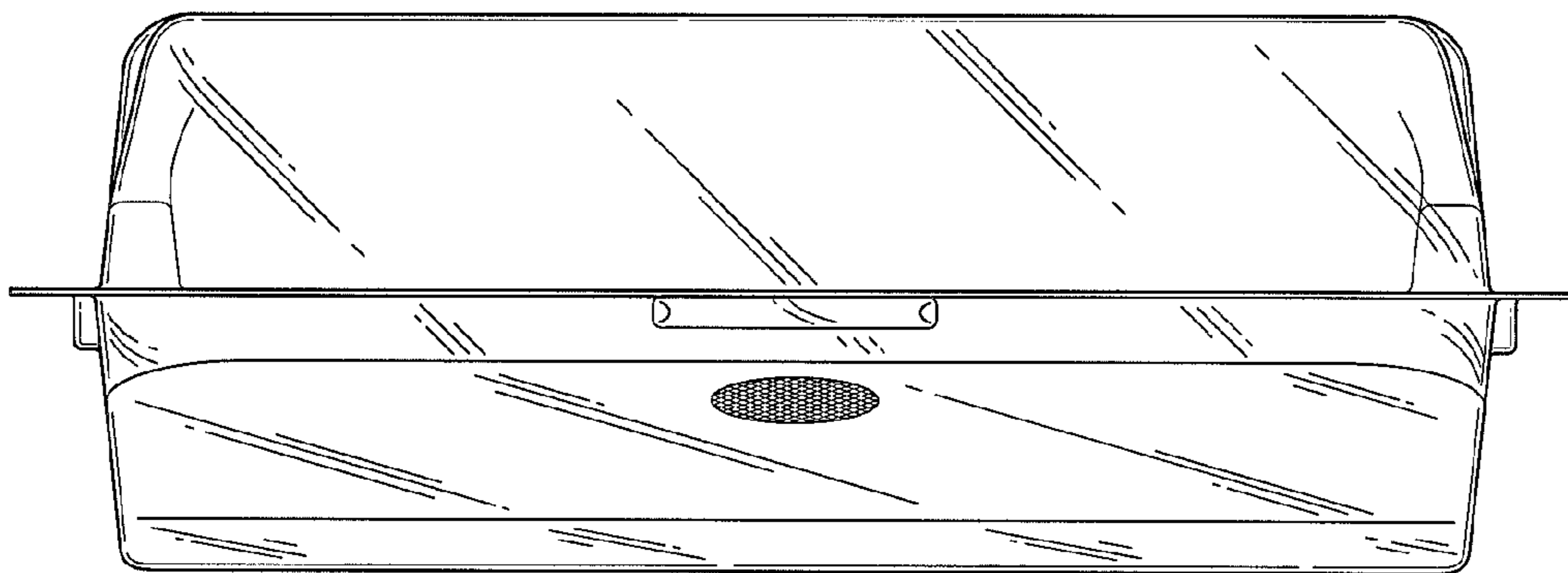


FIG. 1



*FIG. 2*



*FIG. 3*

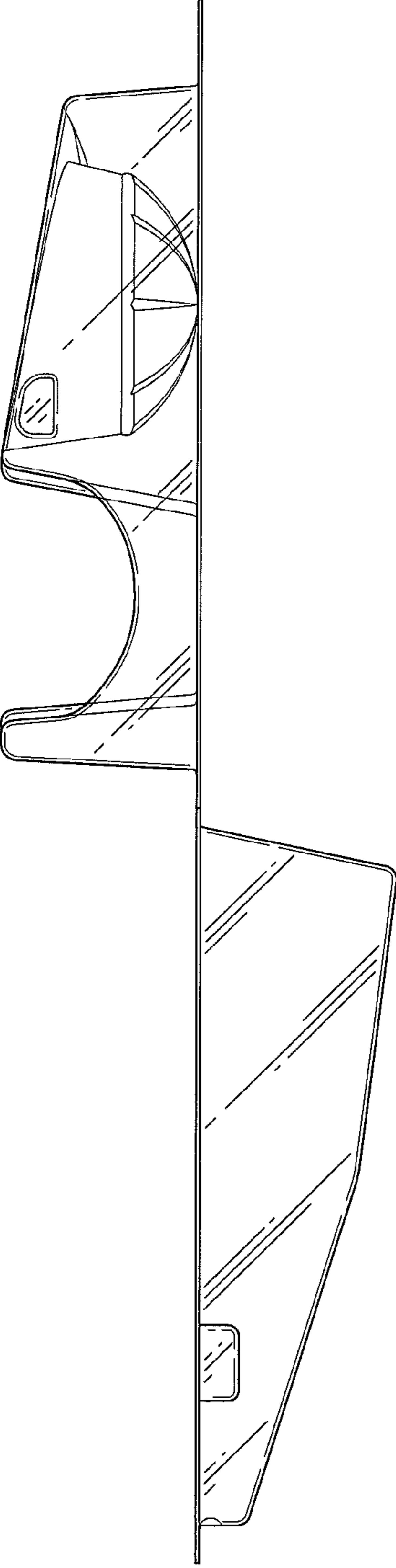


FIG. 4

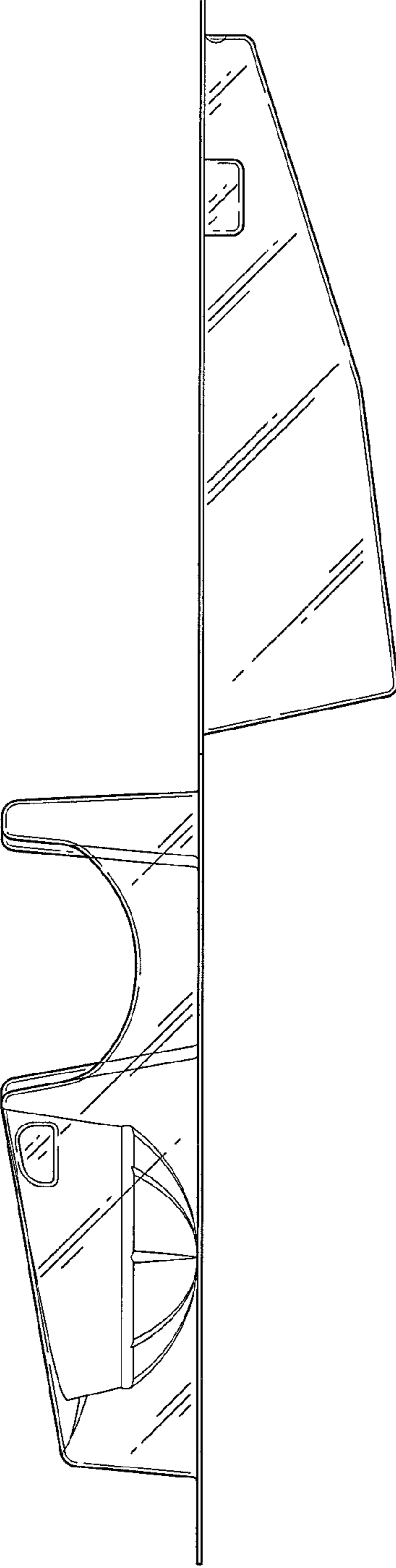


FIG. 5

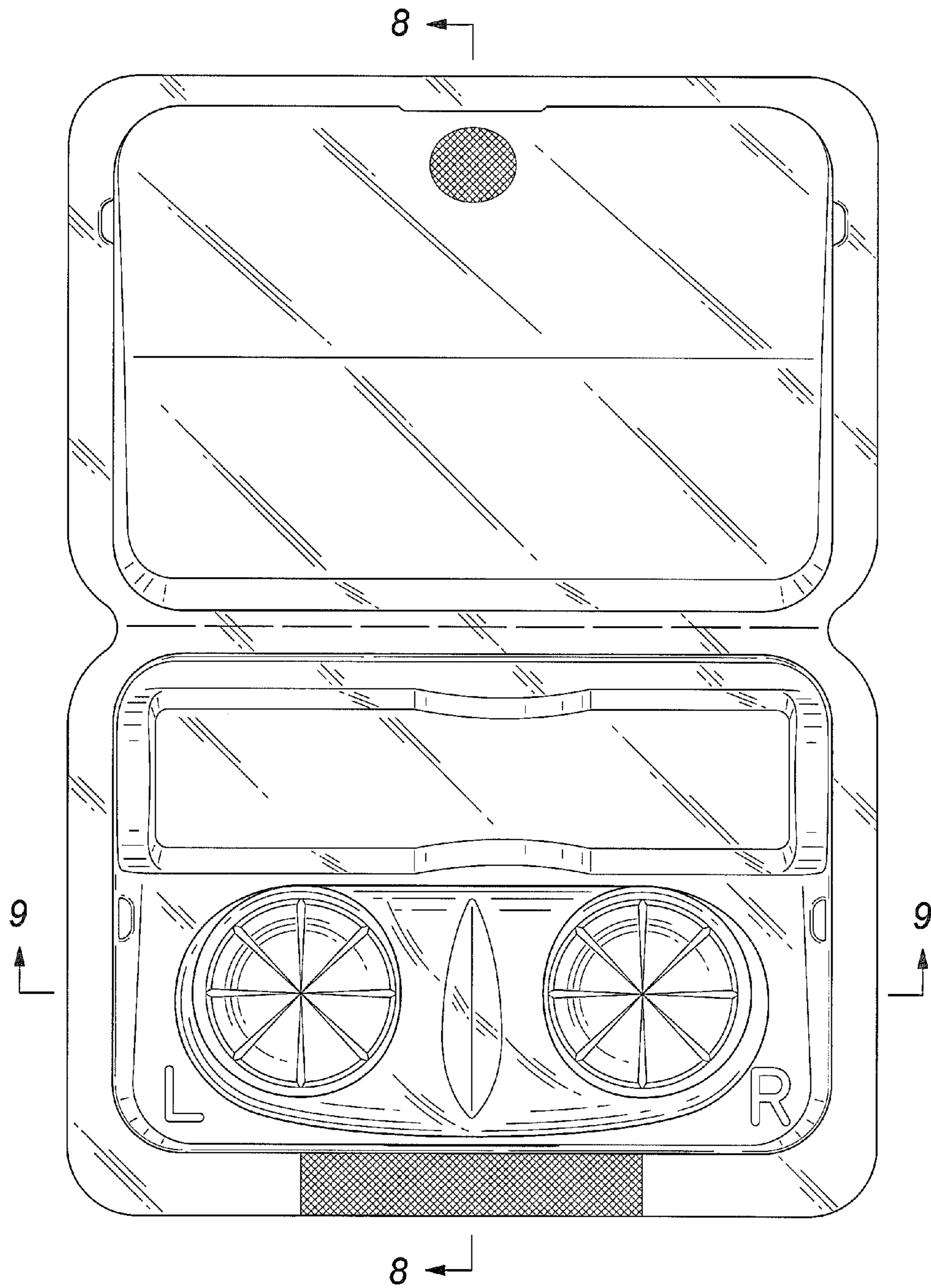


FIG. 6

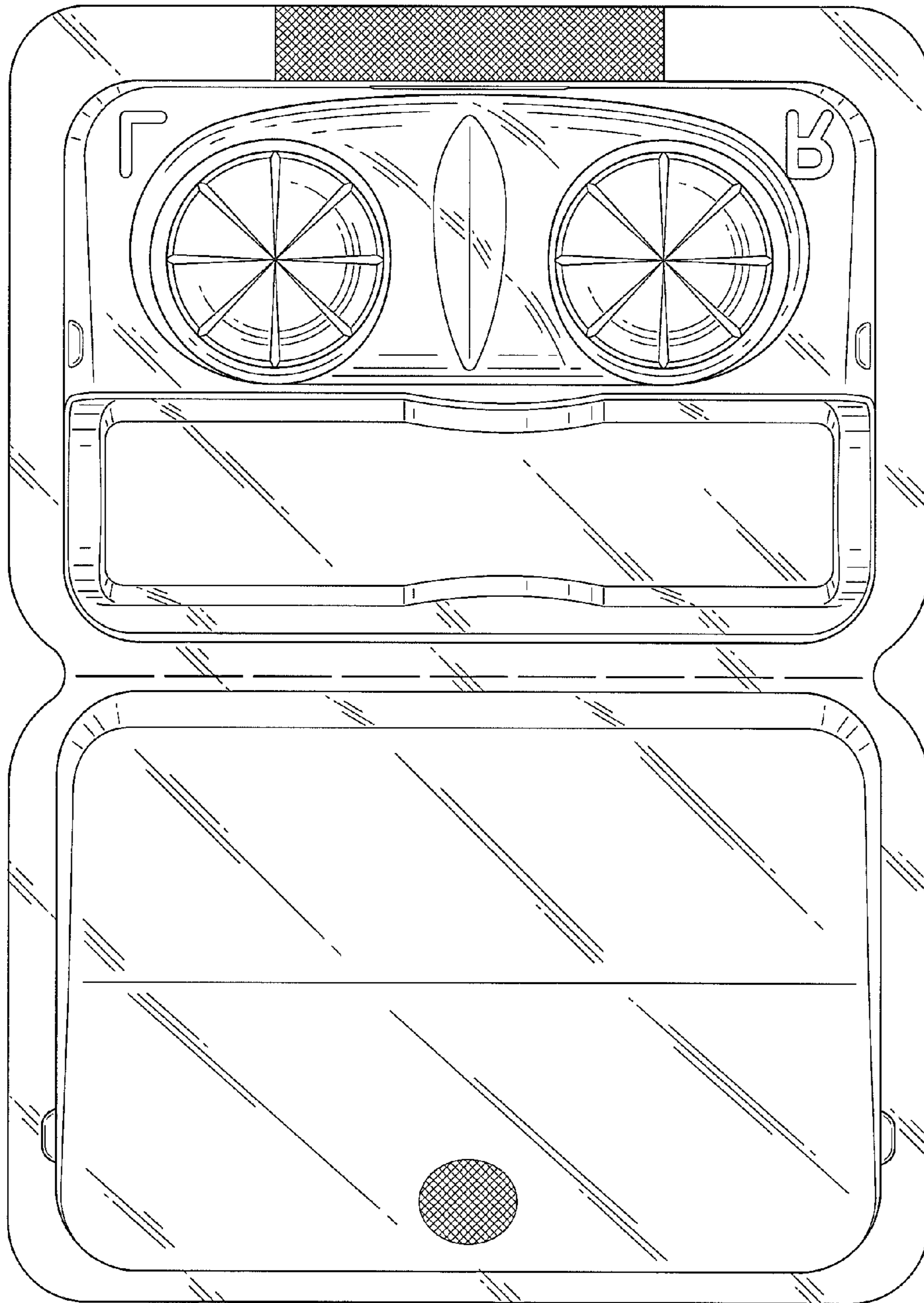


FIG. 7

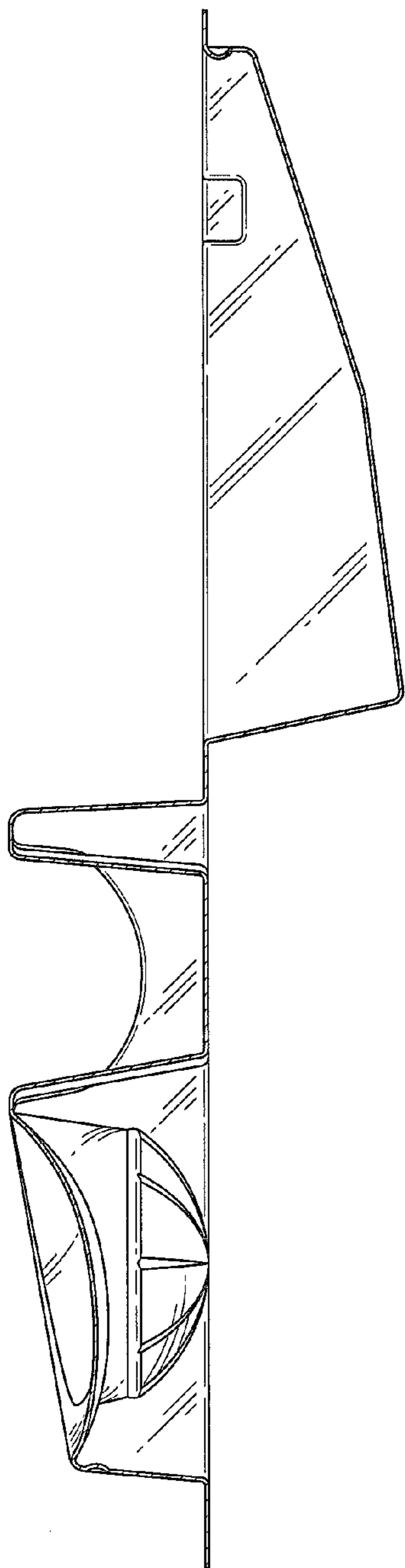


FIG. 8

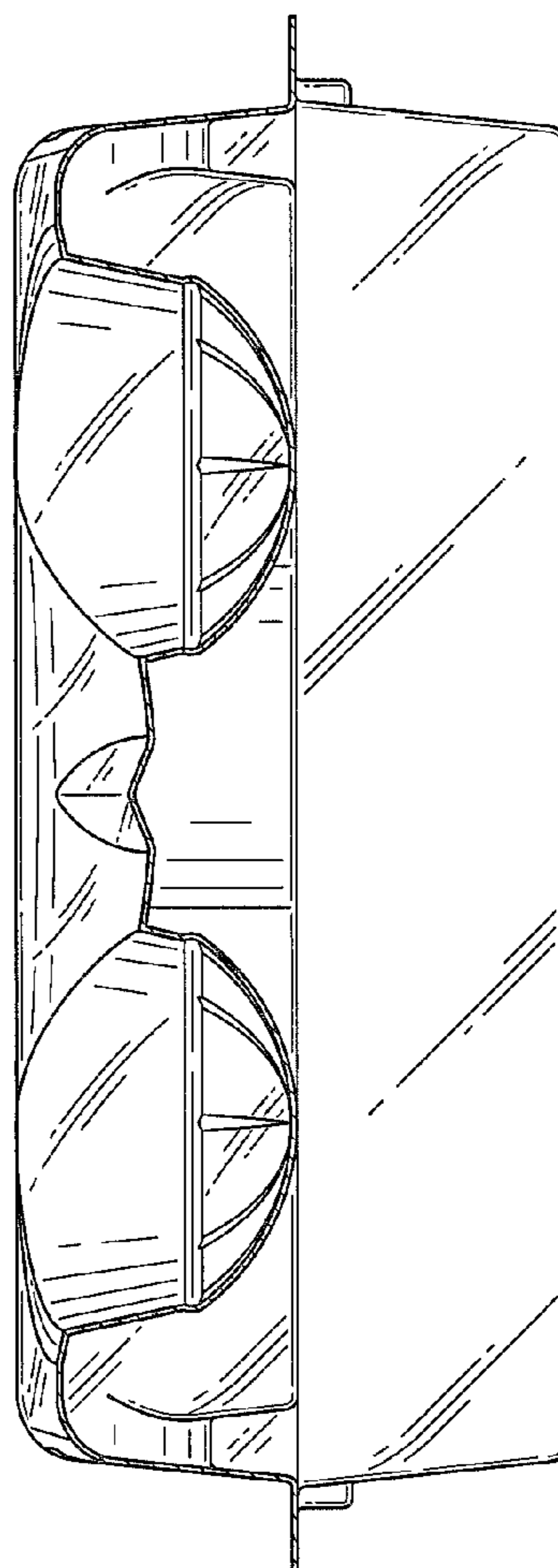


FIG. 9

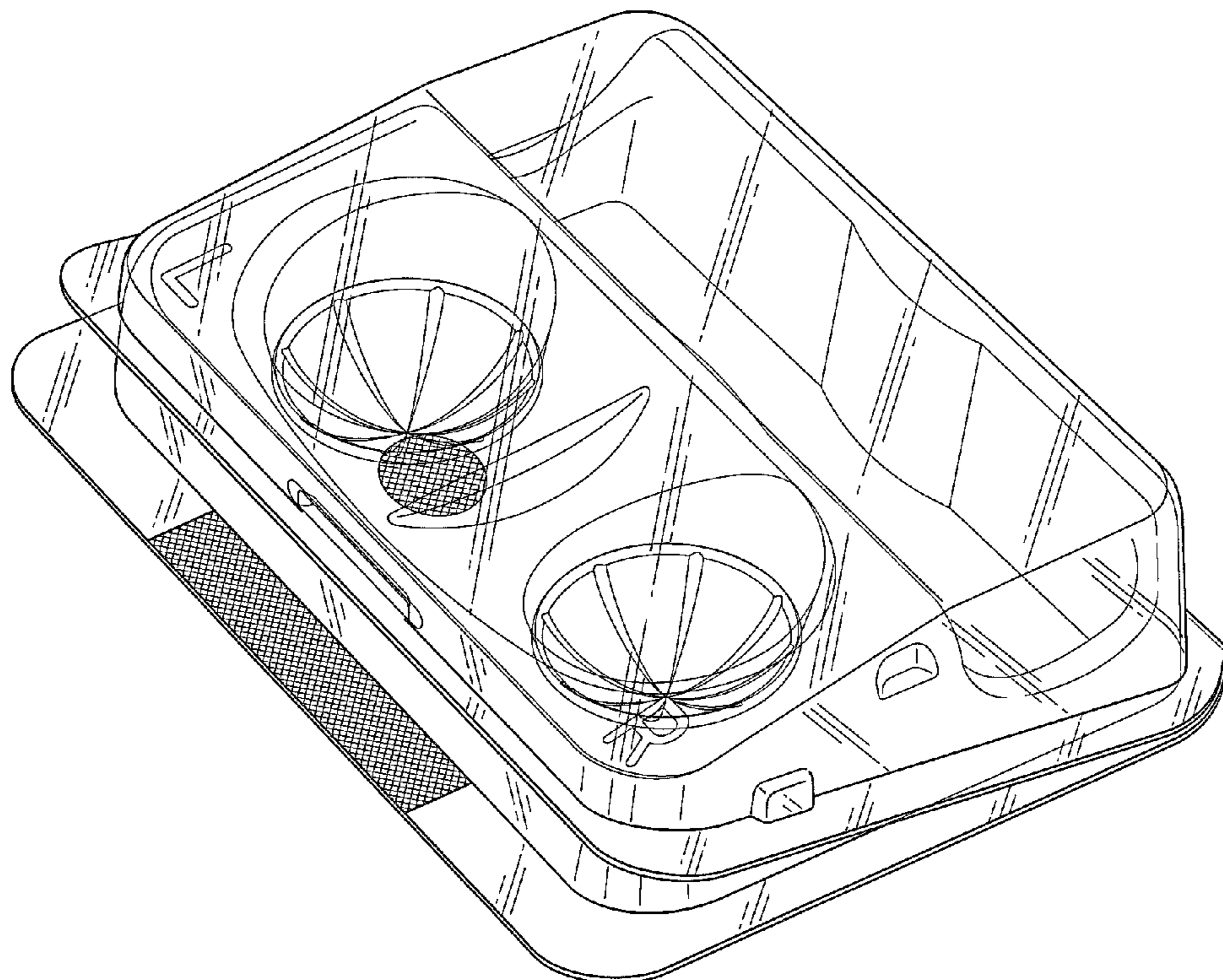


FIG. 10

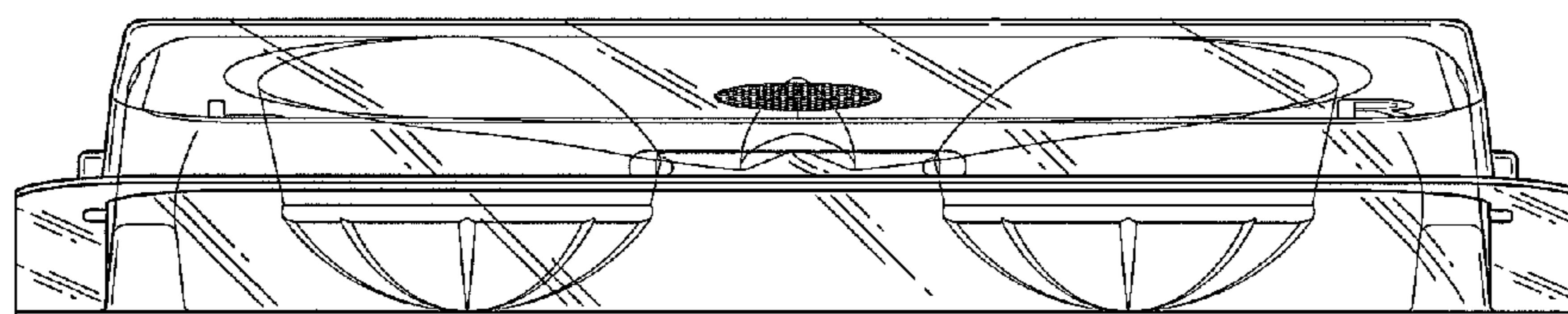


FIG. 11

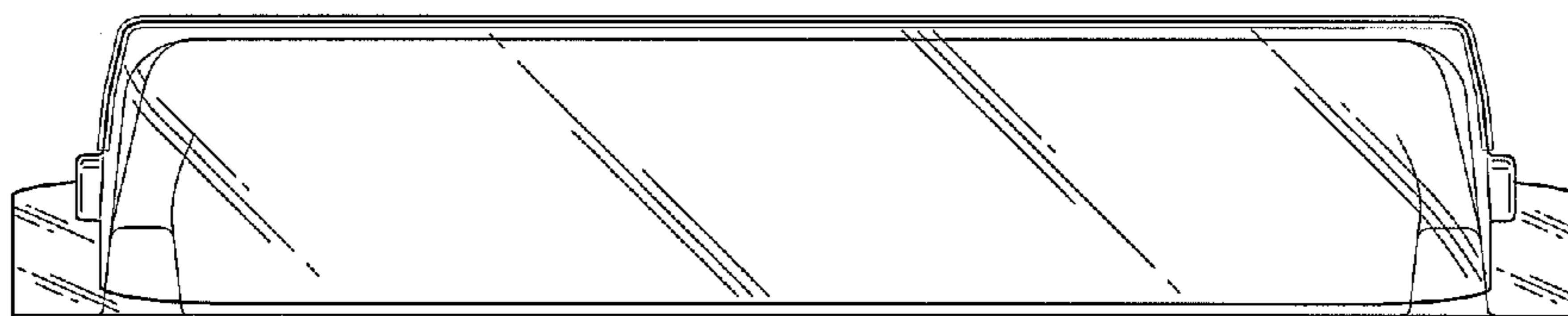
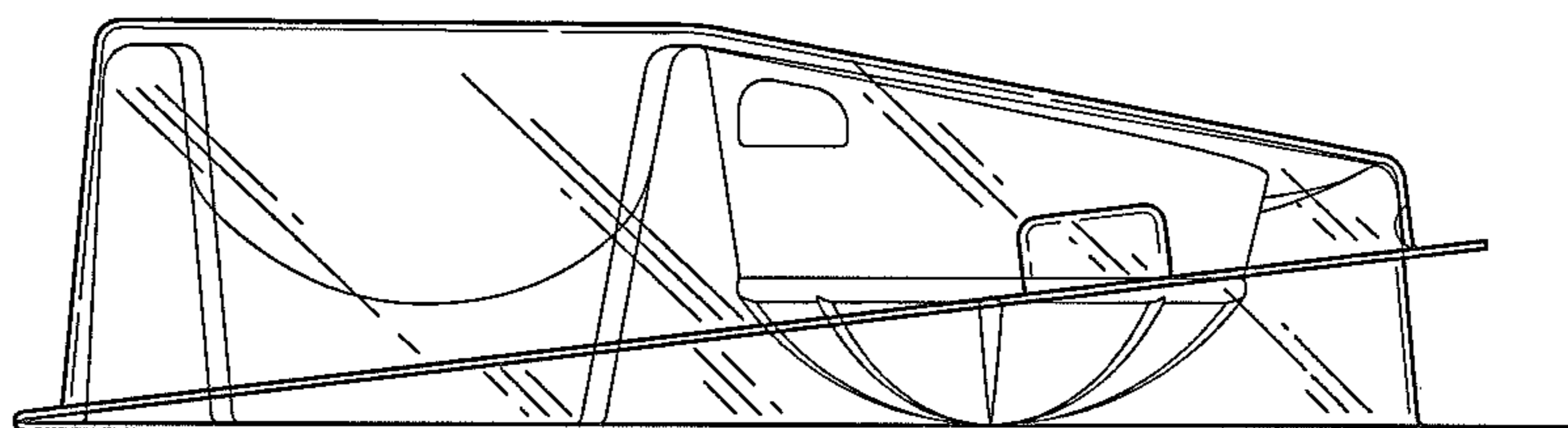
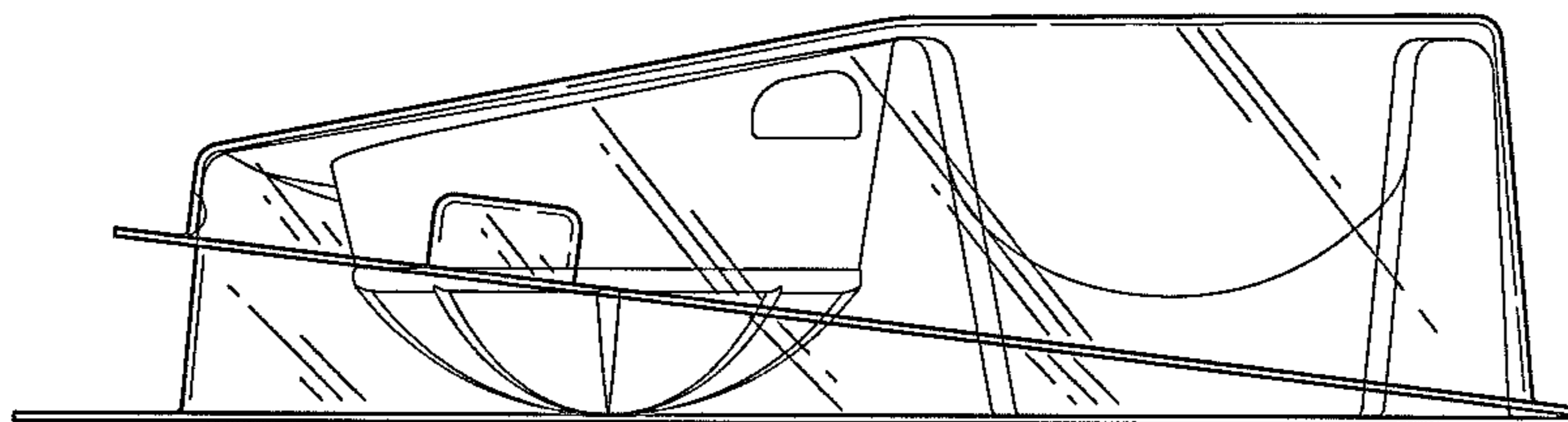


FIG. 12





*FIG. 13*



*FIG. 14*

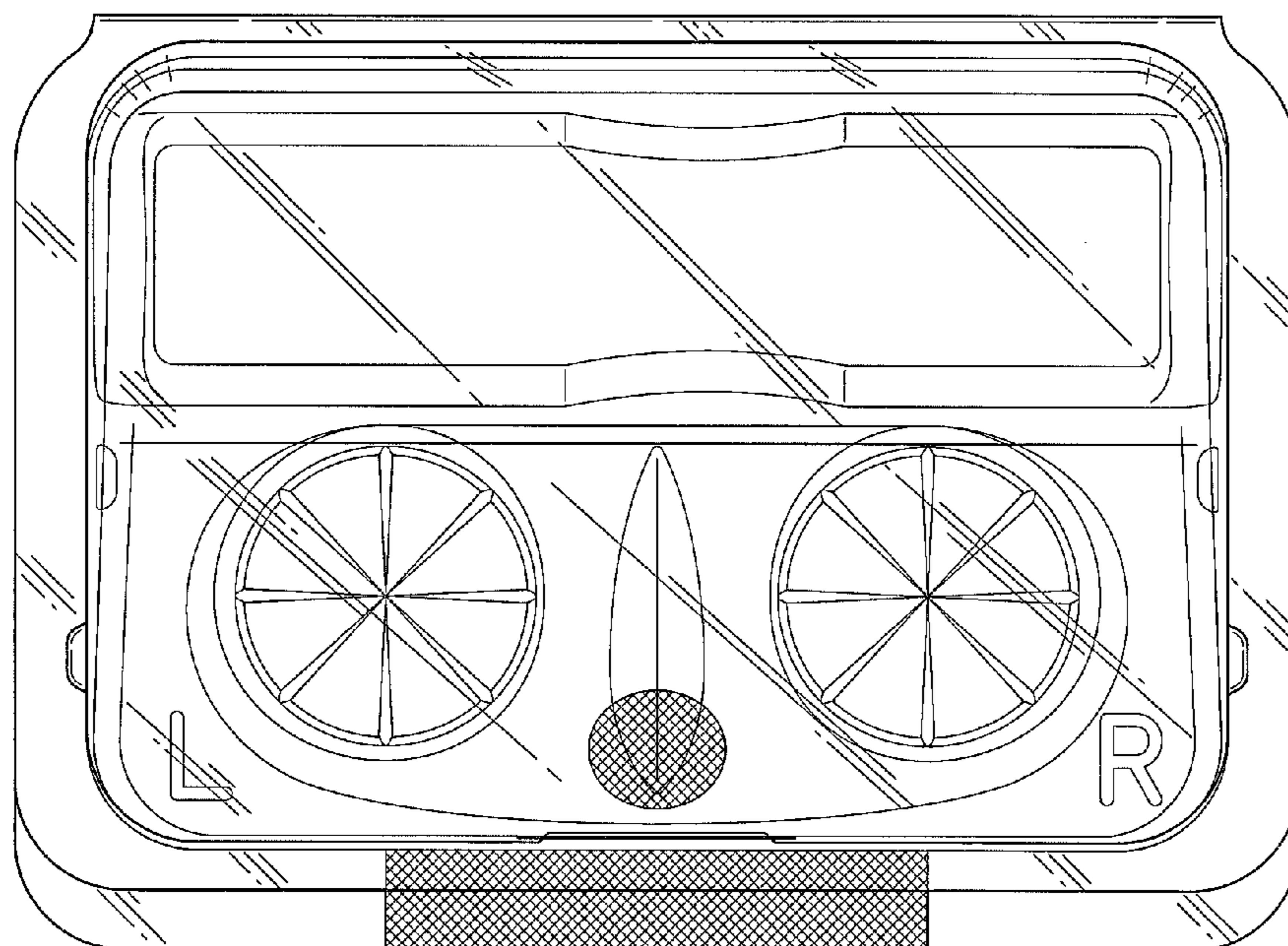


FIG. 15

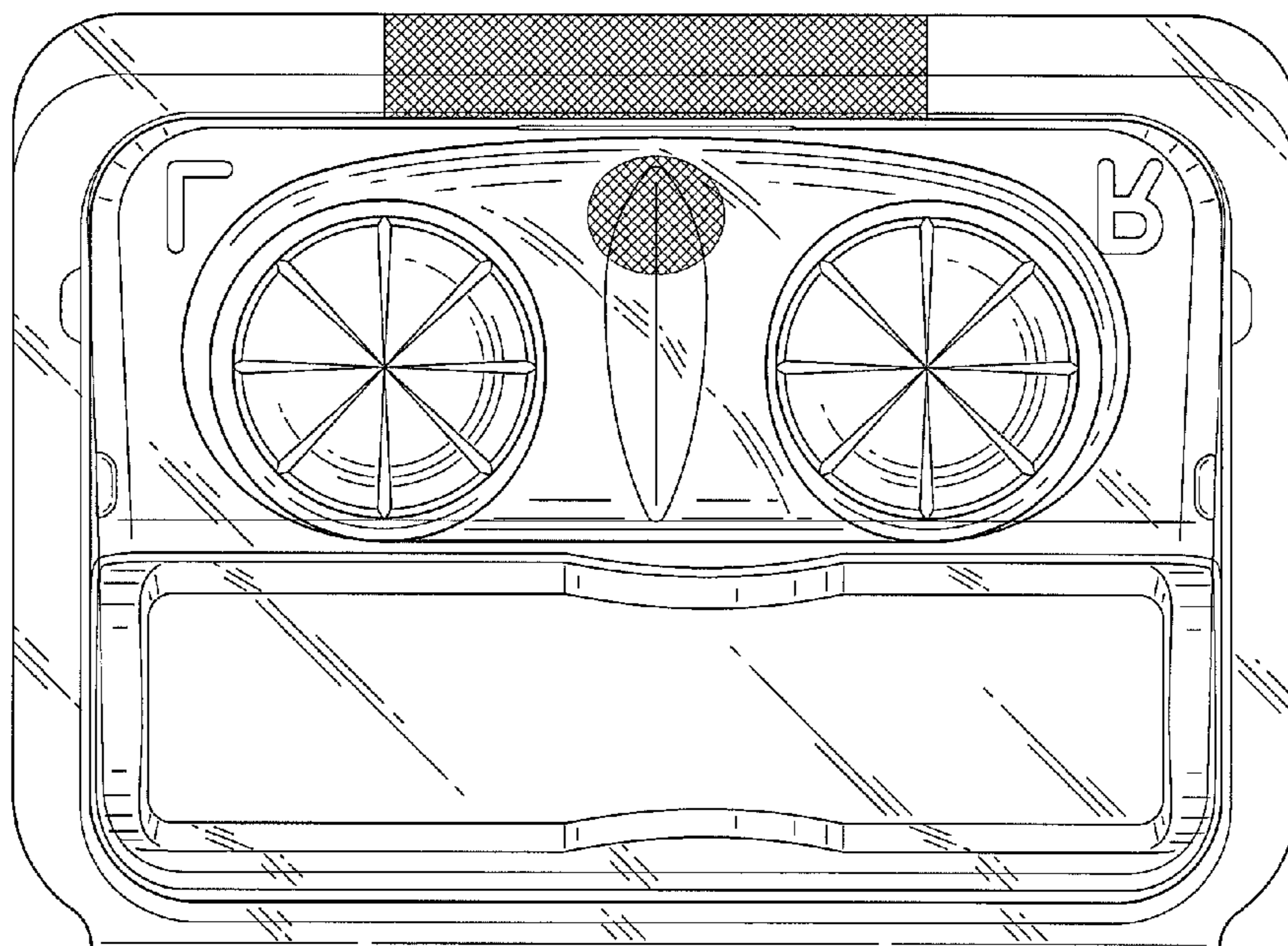


FIG. 16