

US00D695013S

(12) **United States Design Patent**  
**Minn et al.**

(10) **Patent No.:** **US D695,013 S**  
(45) **Date of Patent:** **\*\* Dec. 10, 2013**

(54) **WALLET**

(71) Applicant: **HuMn Design, LLC**, Portland, OR (US)

(72) Inventors: **Kenneth Minn**, Portland, OR (US);  
**Scott Hussa**, Portland, OR (US)

(73) Assignee: **HuMn Design, LLC**, Portland, OR (US)

(\*\*) Term: **14 Years**

(21) Appl. No.: **29/464,756**

(22) Filed: **Aug. 20, 2013**

**Related U.S. Application Data**

(62) Division of application No. 29/418,637, filed on Apr. 18, 2012, now Pat. No. Des. 690,931.

(51) **LOC (9) Cl.** ..... **03-01**

(52) **U.S. Cl.**  
USPC ..... **D3/247**

(58) **Field of Classification Search**  
USPC ..... D3/247, 249–253; 150/130, 132,  
150/136–137, 147  
See application file for complete search history.

(56) **References Cited**

**U.S. PATENT DOCUMENTS**

D286,582 S 11/1986 Phelps  
5,077,869 A 1/1992 Haase  
5,279,019 A 1/1994 Knickle

(Continued)

**FOREIGN PATENT DOCUMENTS**

CN 2648884 10/2004  
CN 201536722 8/2010

(Continued)

**OTHER PUBLICATIONS**

Wintercheck Factory Website: William Wallet, Oct. 2, 2010, <http://web.archive.org/web/20101002104327/http://www.wintercheckfactory.com/shop/13-william-wallet>.

*Primary Examiner* — Holly Baynham

(74) *Attorney, Agent, or Firm* — Stolowitz Ford Cowger LLP

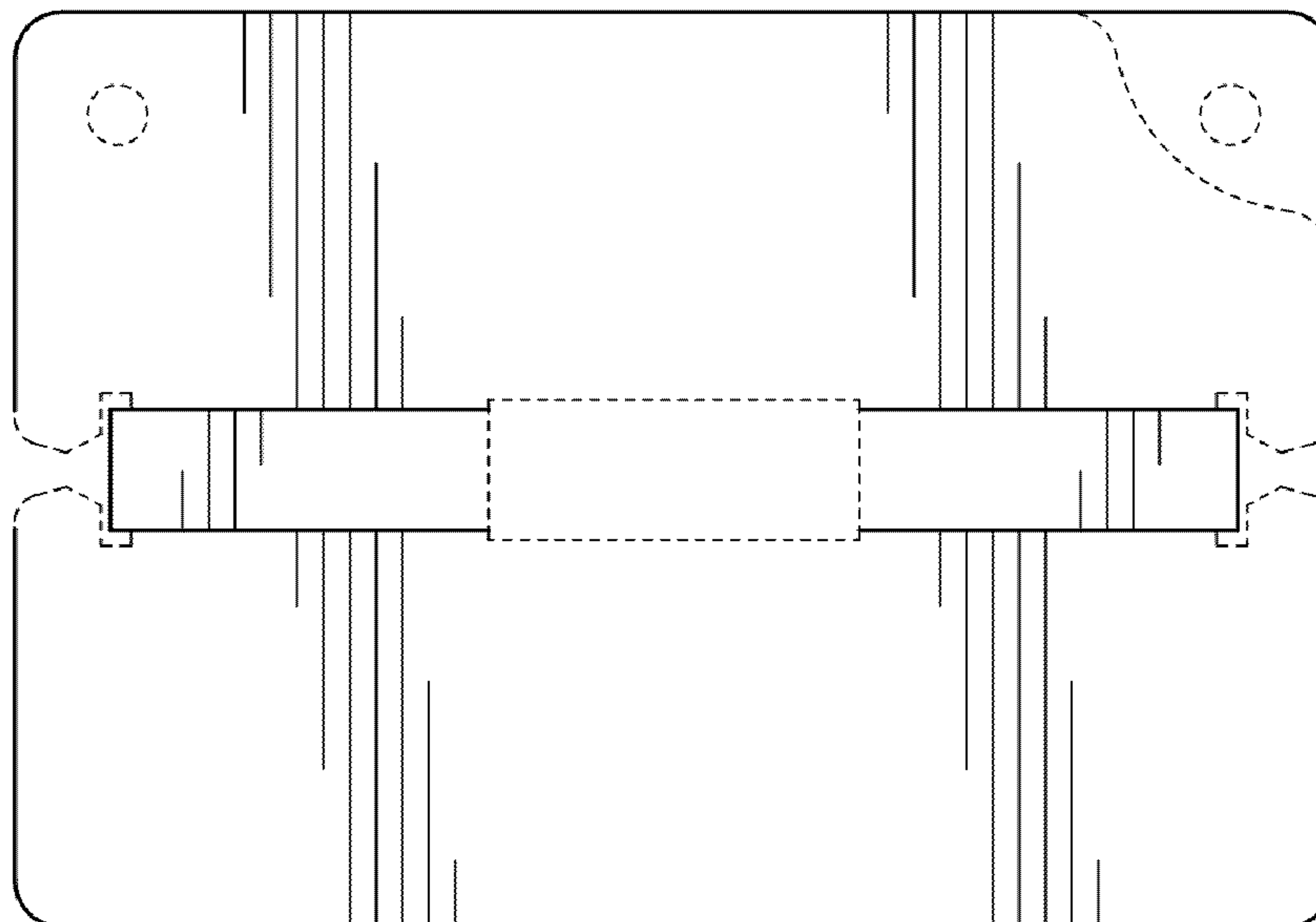
(57) **CLAIM**

The ornamental design for a wallet, as shown and described.

**DESCRIPTION**

FIG. 1 is a front elevational view of a wallet;  
FIG. 2 is a right side elevational view for the wallet of FIG. 1;  
FIG. 3 is a left side elevational view for the wallet of FIG. 1;  
FIG. 4 is a top plan view for the wallet of FIG. 1;  
FIG. 5 is a bottom plan view for the wallet of FIG. 1;  
FIG. 6 is a rear elevational view for the wallet of FIG. 1;  
FIG. 7 is a perspective view for the wallet of FIG. 1;  
FIG. 8 is an environmental perspective view of the wallet of FIG. 1;  
FIG. 9 is a front perspective view for an alternative embodiment of the wallet of FIG. 1;  
FIG. 10 is a right side elevational view for the wallet of FIG. 9;  
FIG. 11 is a left side elevational view for the wallet of FIG. 9;  
FIG. 12 is a top plan view for the wallet of FIG. 9; and,  
FIG. 13 is a bottom plan view for the wallet of FIG. 9.  
The broken lines showing the portion of the wallet band and wallet contents are included for the purpose of illustrating environment and form no part of the claimed design.

**1 Claim, 3 Drawing Sheets**



# US D695,013 S

Page 2

(56)

## References Cited

### U.S. PATENT DOCUMENTS

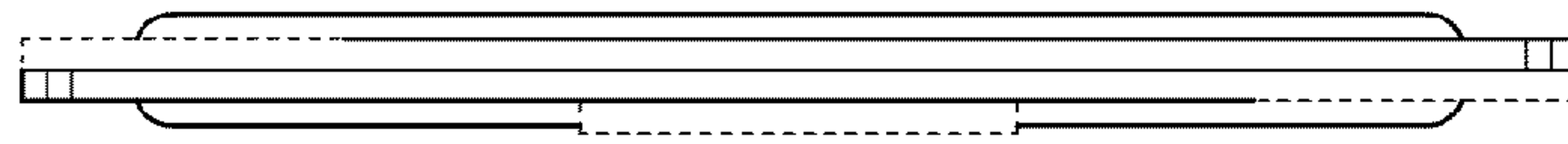
D384,499 S 10/1997 Gaestel  
7,000,291 B2 2/2006 Fuller  
D590,151 S \* 4/2009 Karobkina et al. .... D3/247  
7,640,632 B2 1/2010 Lazarus  
D613,293 S \* 4/2010 Sheba ..... D14/435  
D627,786 S 11/2010 Hsia  
D628,796 S \* 12/2010 Uzelac ..... D3/247  
D630,848 S 1/2011 Long  
7,971,324 B2 7/2011 Preston-Hall  
2003/0038043 A1 2/2003 Painsith

2006/0187055 A1 8/2006 Colby  
2007/0109130 A1 5/2007 Edenfield  
2007/0256279 A1 11/2007 Glickfield  
2007/0289775 A1 12/2007 Potts  
2010/0230018 A1 9/2010 Nielsen

### FOREIGN PATENT DOCUMENTS

GB 128510 6/1919  
KR 20070072050 7/2007  
RO 121314 3/2007  
WO 2010097342 9/2010

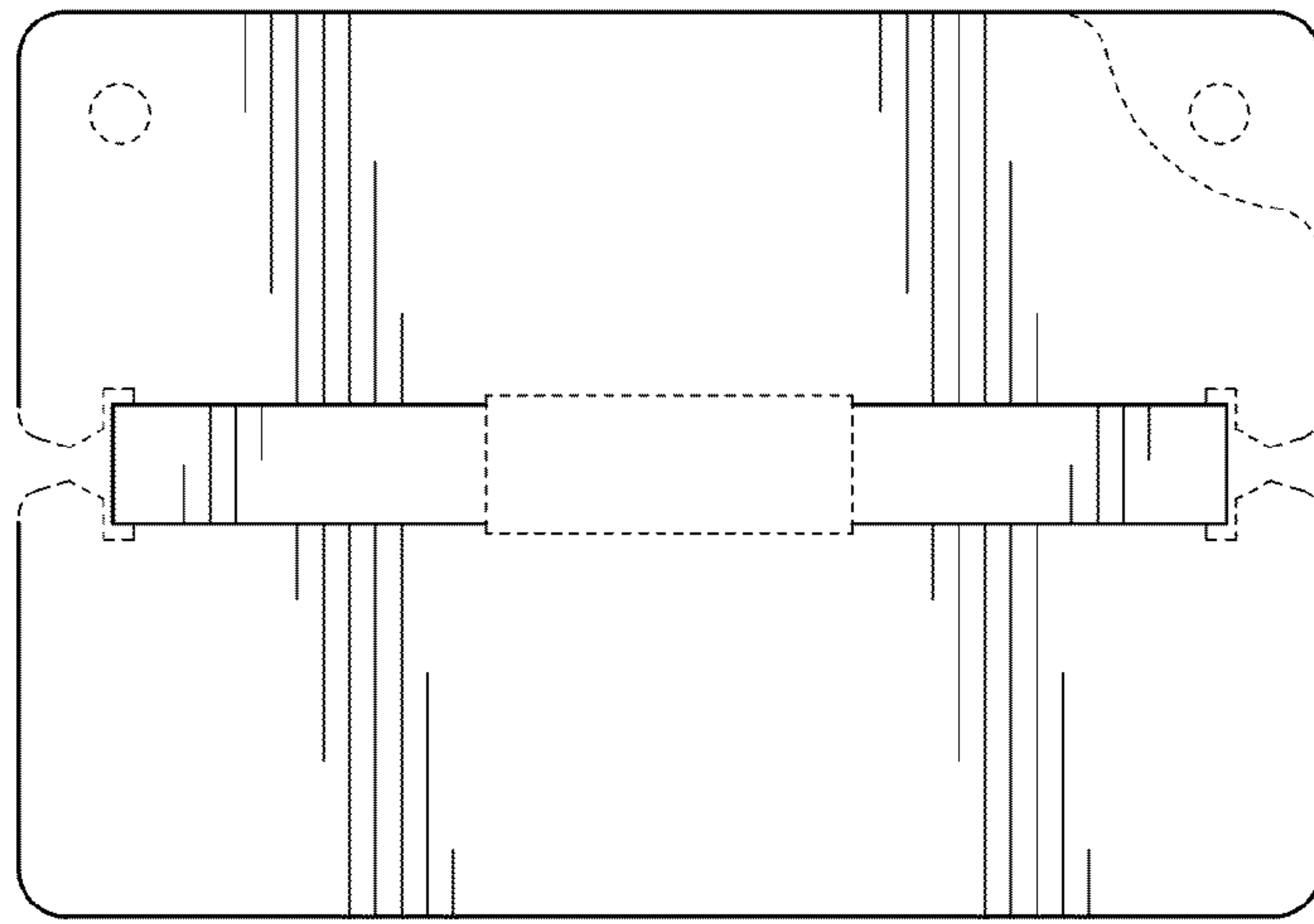
\* cited by examiner



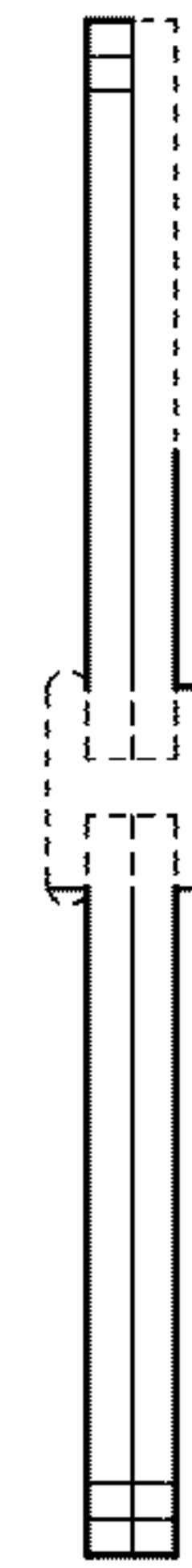
**FIG. 4**



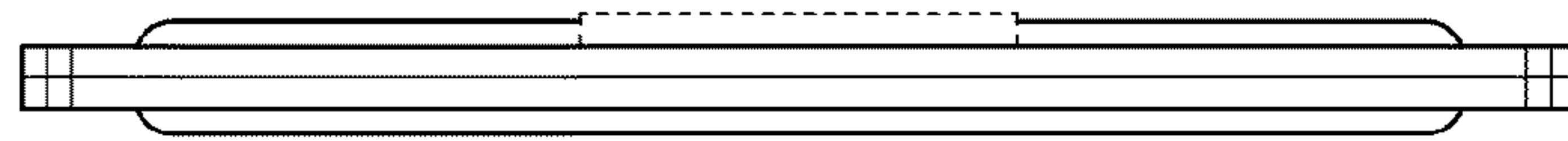
**FIG. 3**



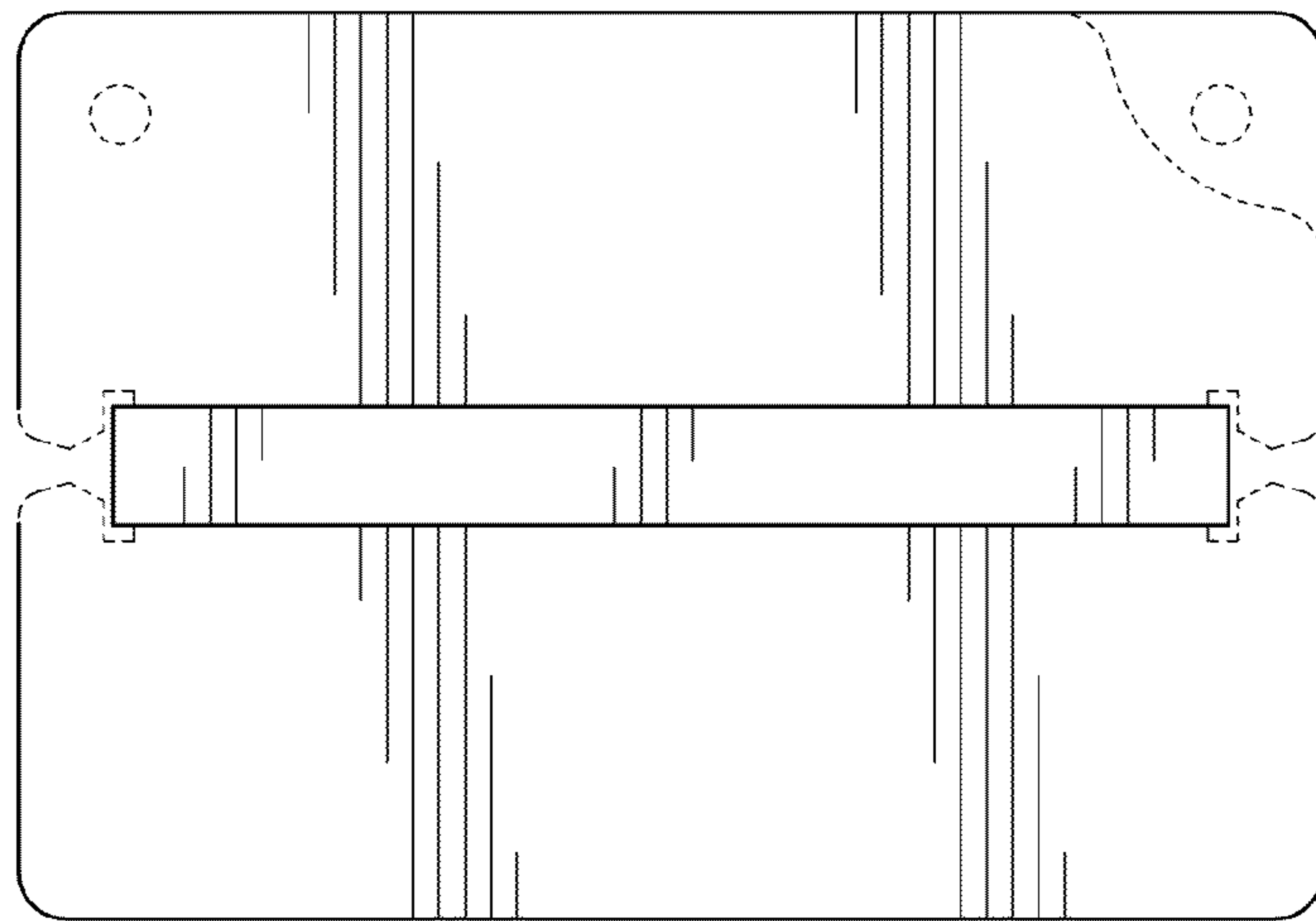
**FIG. 1**



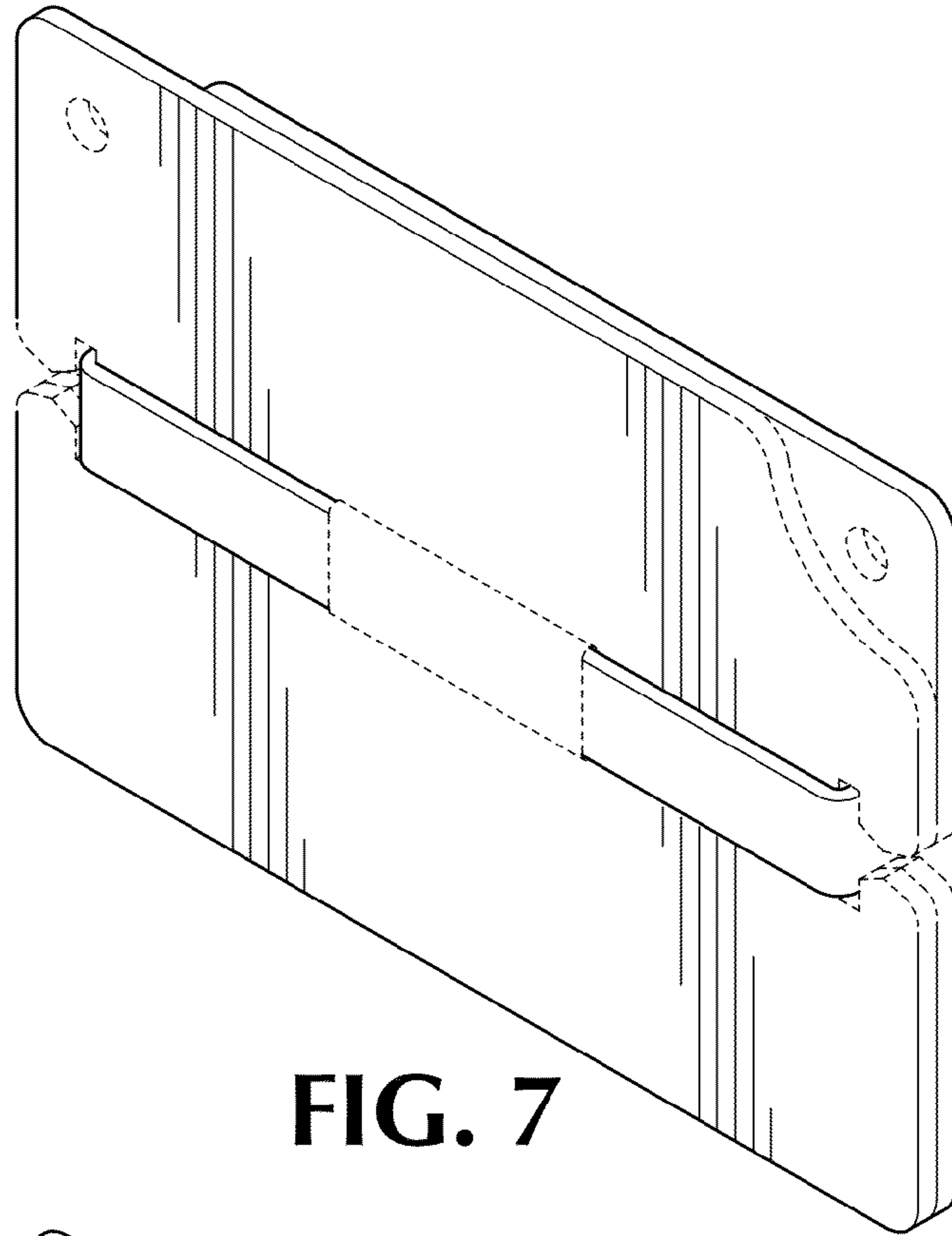
**FIG. 2**



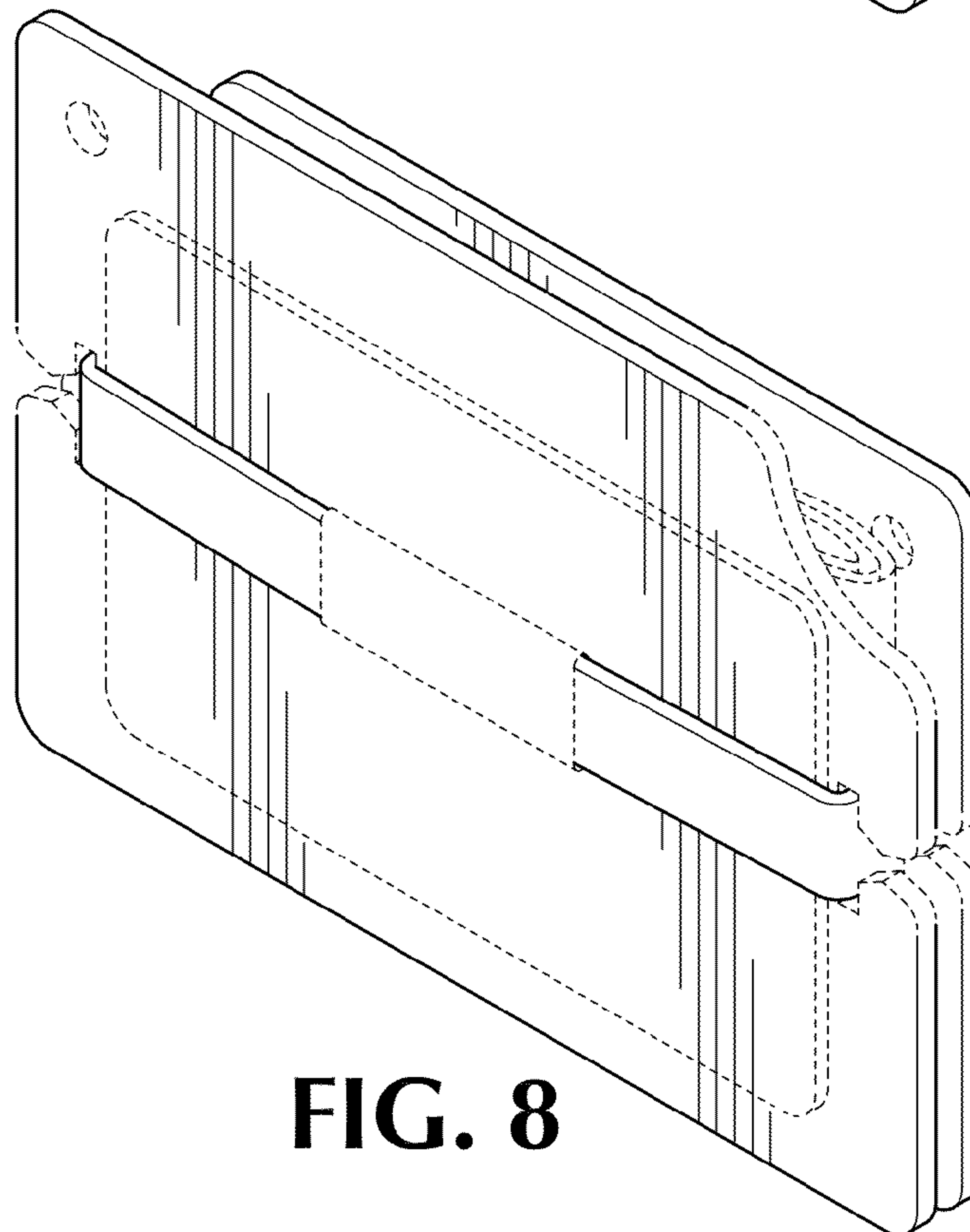
**FIG. 5**



**FIG. 6**



**FIG. 7**



**FIG. 8**

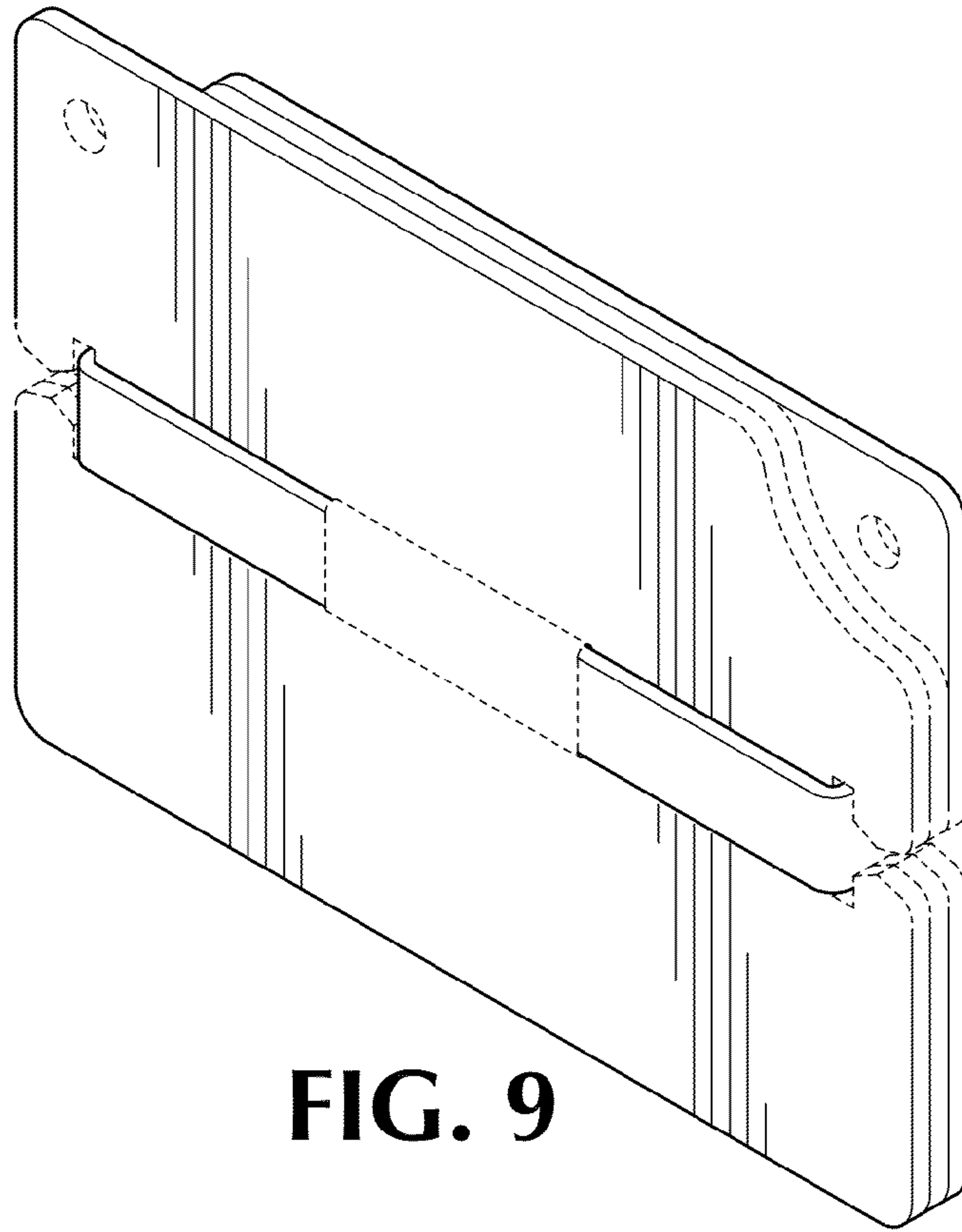


FIG. 9

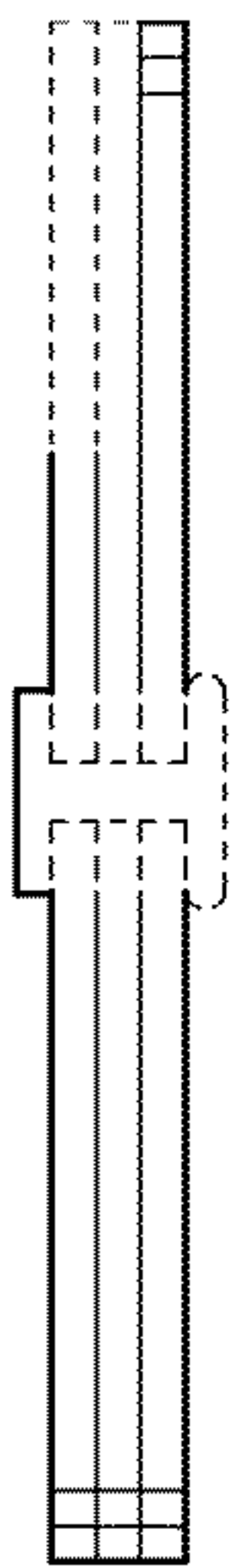


FIG. 11



FIG. 10

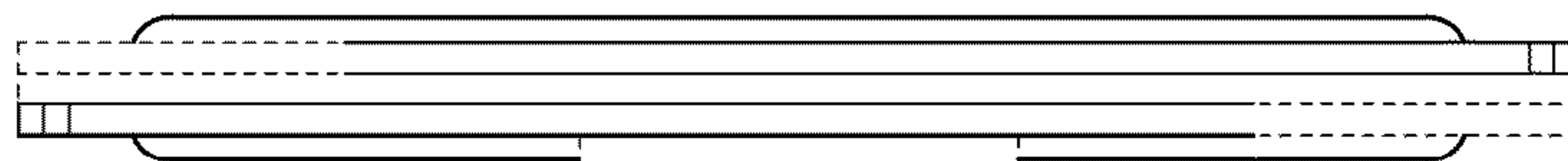


FIG. 12

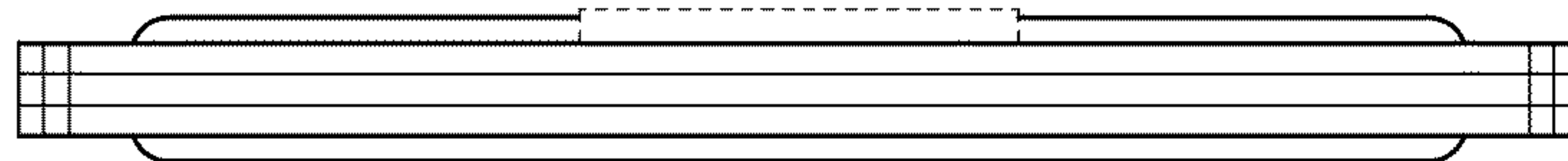


FIG. 13