



US00D695008S

(12) **United States Design Patent**  
**Pomerantz**

(10) **Patent No.:** **US D695,008 S**

(45) **Date of Patent:** **\*\* Dec. 10, 2013**

(54) **ATHLETIC BELT**

(71) Applicant: **Shifra Pomerantz**, Aventura, FL (US)

(72) Inventor: **Shifra Pomerantz**, Aventura, FL (US)

(\*\*) Term: **14 Years**

(21) Appl. No.: **29/435,566**

(22) Filed: **Oct. 25, 2012**

(51) **LOC (9) Cl.** ..... **03-01**

(52) **U.S. Cl.**  
USPC ..... **D3/221**

(58) **Field of Classification Search**  
USPC ..... D3/221, 224; 224/219, 222, 236, 240,  
224/250–251  
See application file for complete search history.

(56) **References Cited**

**U.S. PATENT DOCUMENTS**

D257,409 S	*	10/1980	Kishbaugh et al.	.....	D3/224
D395,546 S		6/1998	Houtan		
D497,715 S		11/2004	Saltarelli		
D505,787 S	*	6/2005	Vaughn	.....	D3/224
D516,304 S		3/2006	Feldman et al.		
D518,953 S	*	4/2006	Kenimer et al.	.....	D3/224
D615,753 S		5/2010	Pomerantz		
D630,012 S		1/2011	Pomerantz		

D630,841 S		1/2011	Pomerantz		
D661,484 S	*	6/2012	Hamra	.....	D3/224
D668,861 S		10/2012	Pomerantz		
D668,862 S		10/2012	Pomerantz		

\* cited by examiner

*Primary Examiner* — Holly Baynham

(74) *Attorney, Agent, or Firm* — Malloy & Malloy, P.L.

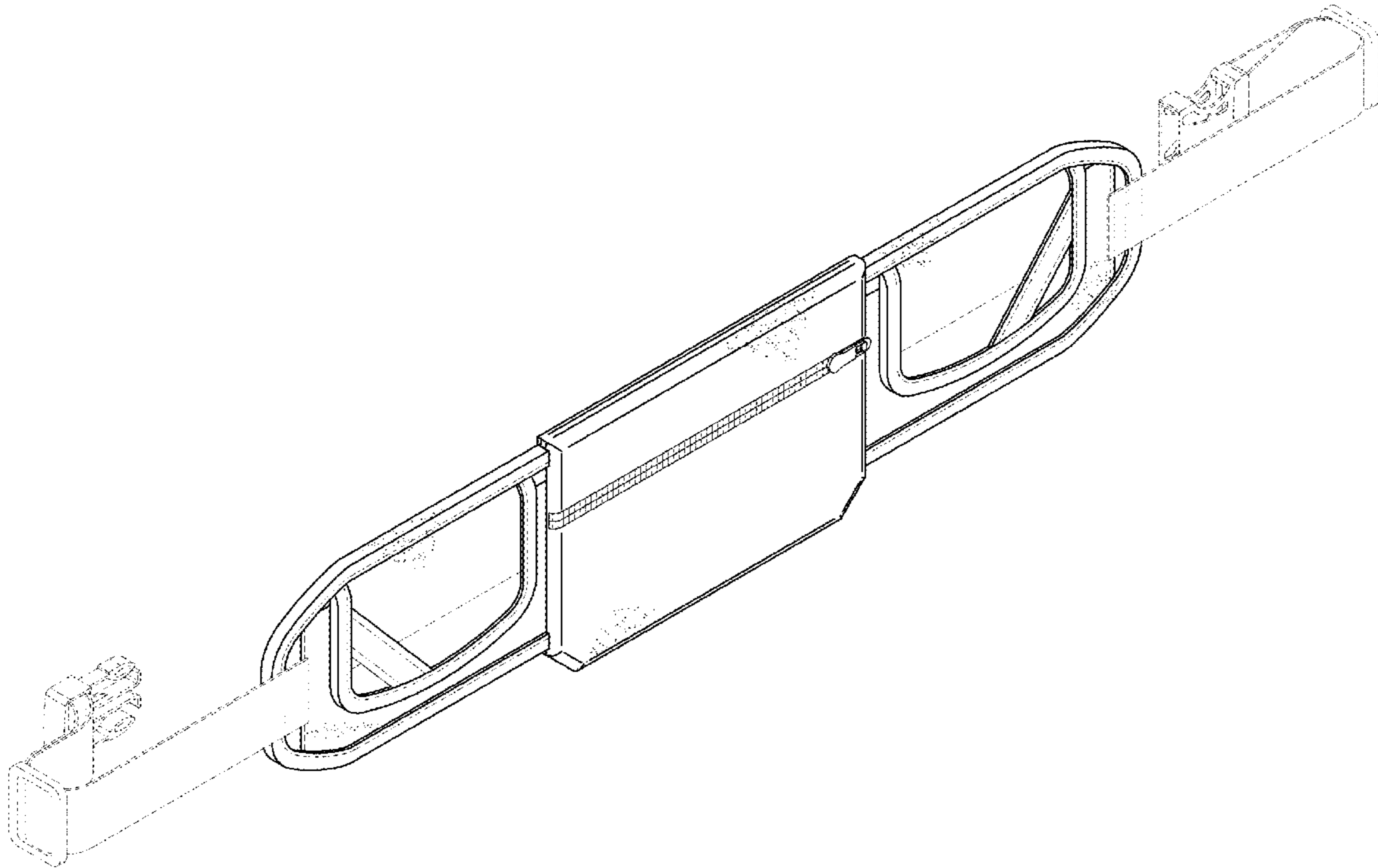
(57) **CLAIM**

The ornamental design for an athletic belt, as shown and described.

**DESCRIPTION**

FIG. 1 is a front perspective view illustrating my design for an athletic belt;  
FIG. 2 is a rear perspective view thereof;  
FIG. 3 is a front view thereof;  
FIG. 4 is a rear view thereof;  
FIG. 5 is a top view thereof;  
FIG. 6 is a bottom view thereof;  
FIG. 7 is a left side view thereof; and,  
FIG. 8 is a right side view thereof.  
The broken lines showing straps and fastener are for the purposes of illustrating environment and form no part of the claimed design.

**1 Claim, 5 Drawing Sheets**



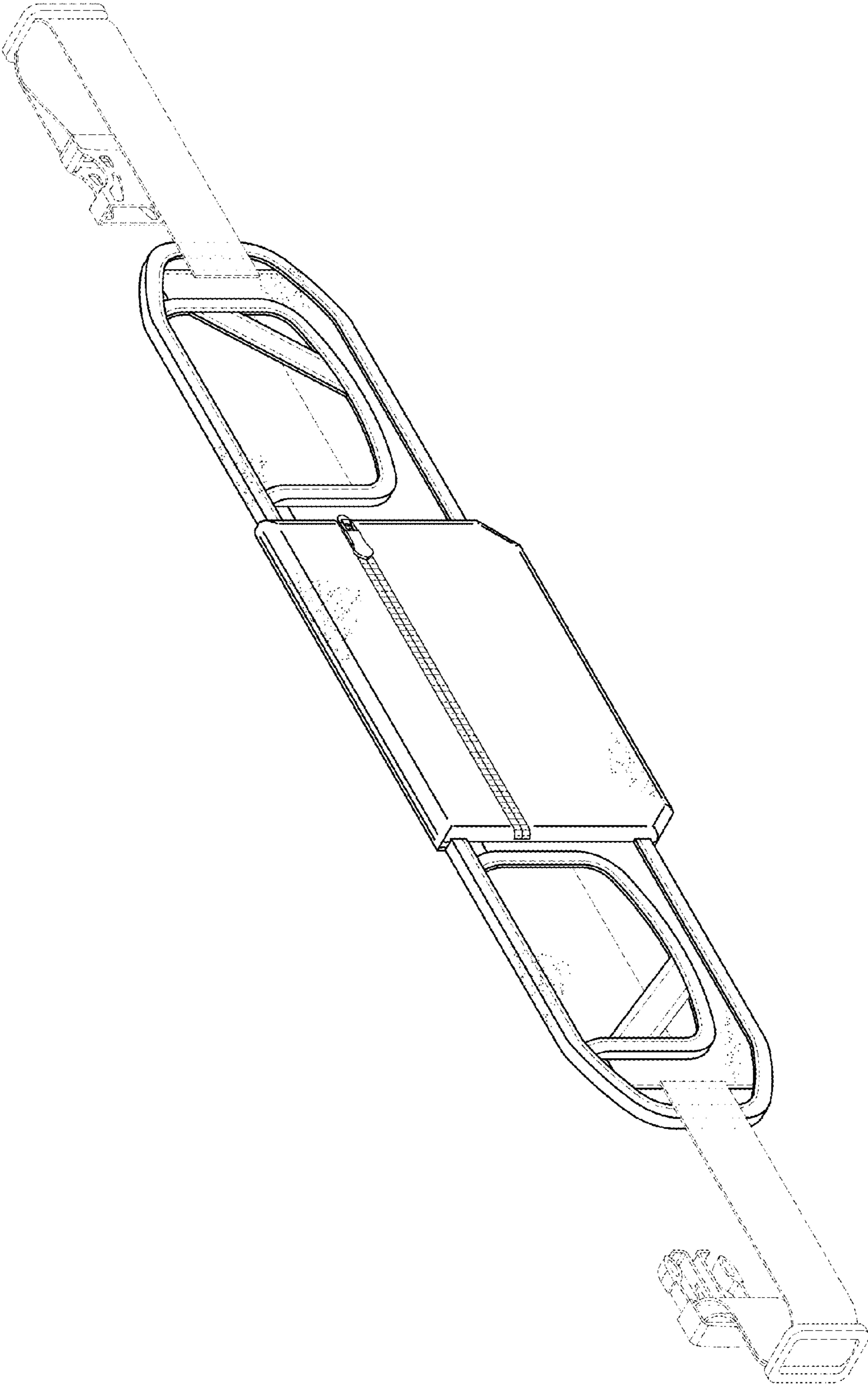


FIG. 1

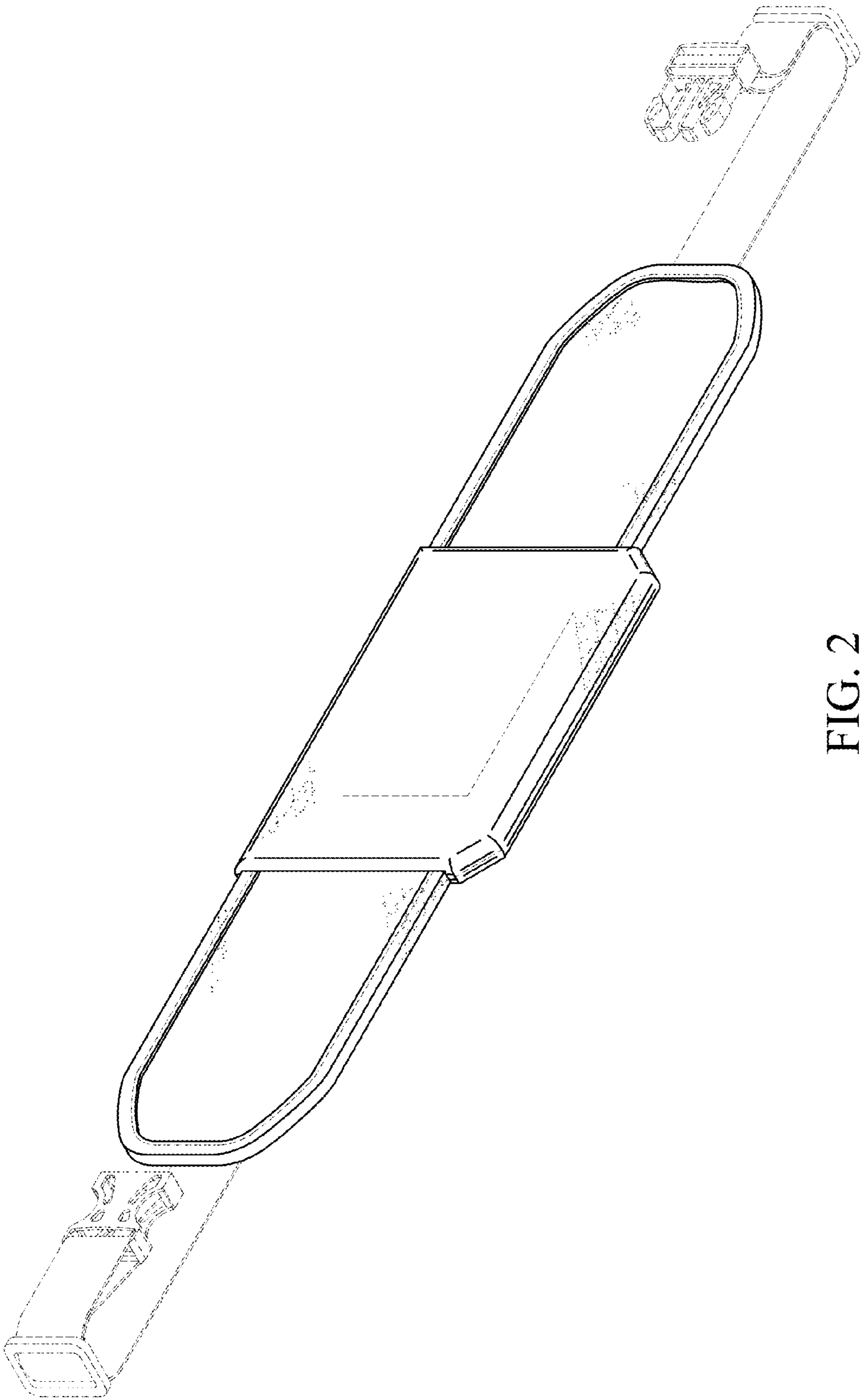


FIG. 2

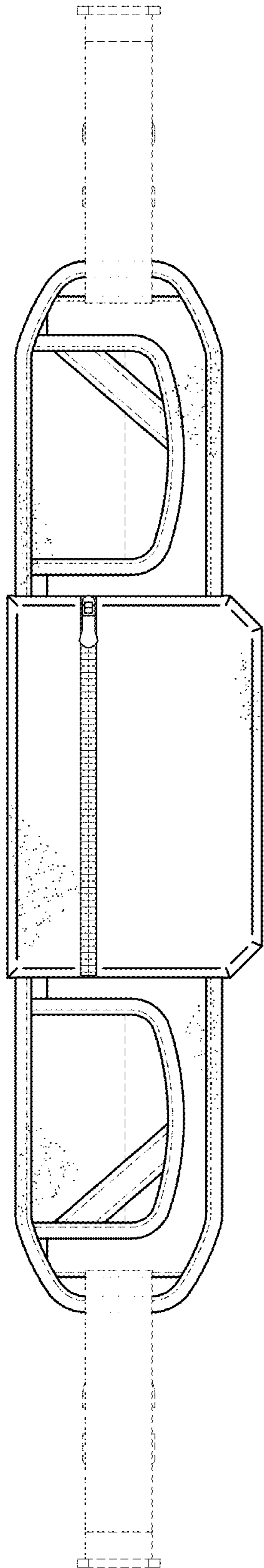


FIG. 3

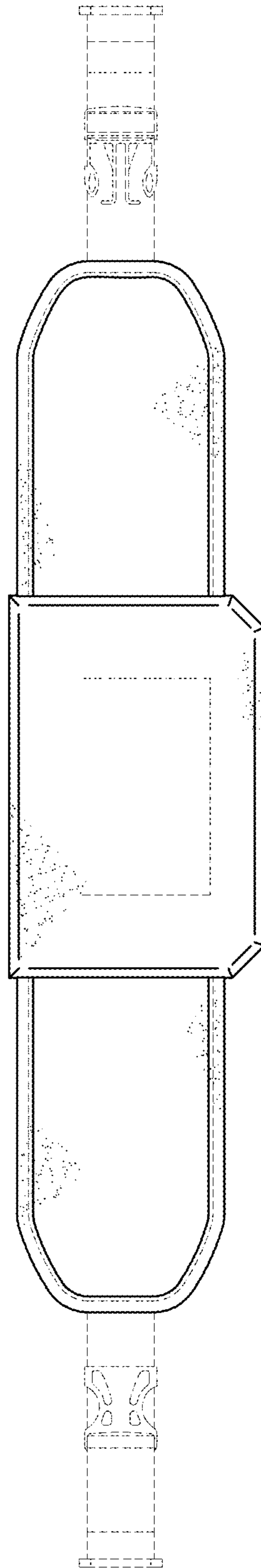


FIG. 4



FIG. 5



FIG. 6

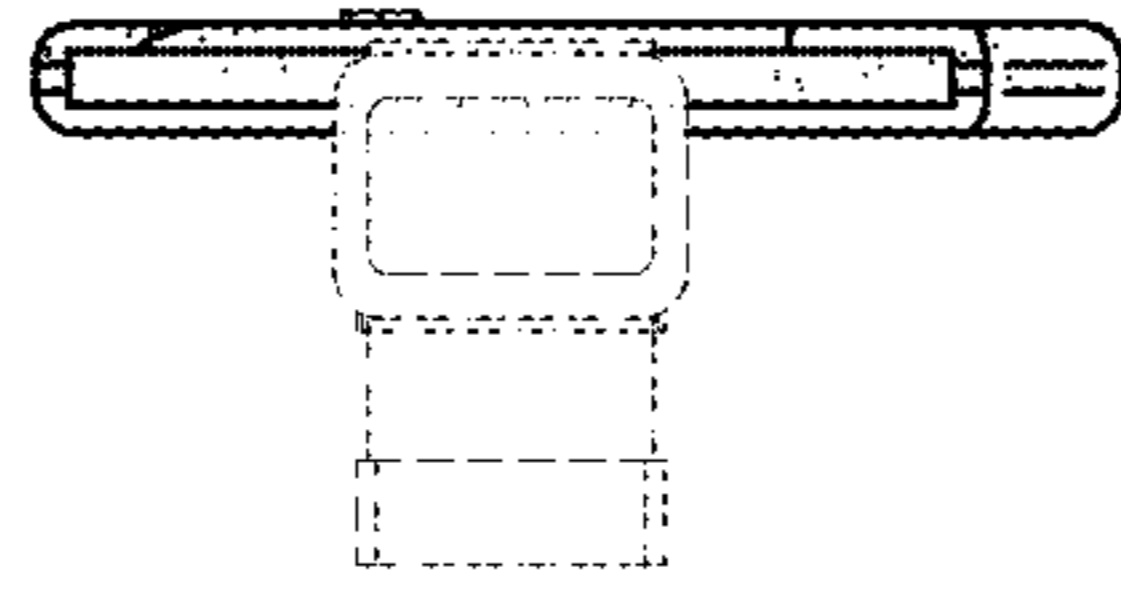


FIG. 8

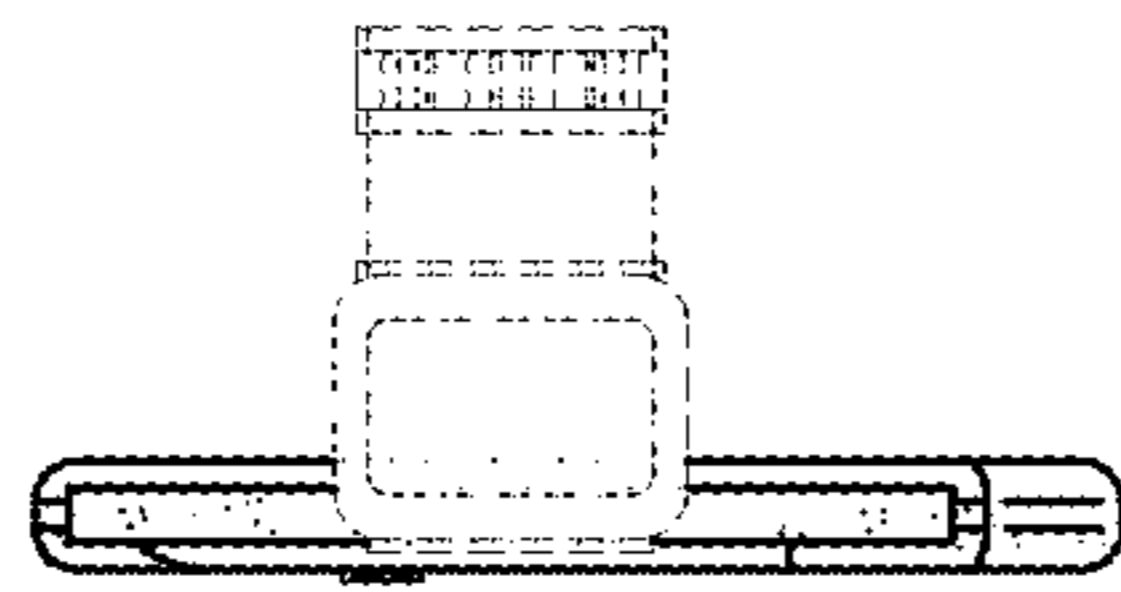


FIG. 7