



US00D695007S

(12) **United States Design Patent**
Zhang

(10) **Patent No.:** **US D695,007 S**

(45) **Date of Patent:** **** Dec. 10, 2013**

(54) **CELL PHONE HOLSTER**

(71) Applicant: **Yu Long Zhang**, Brooklyn, NY (US)

(72) Inventor: **Yu Long Zhang**, Brooklyn, NY (US)

(**) Term: **14 Years**

(21) Appl. No.: **29/446,528**

(22) Filed: **Feb. 25, 2013**

(51) **LOC (9) Cl.** **03-01**

(52) **U.S. Cl.**
USPC **D3/218**

(58) **Field of Classification Search**

USPC D3/218, 219, 215, 201, 224, 226, 228,
D3/269, 303; 224/240–241, 245, 578, 674,
224/676–681, 901, 904; 206/305, 320, 576,
206/759, 762; 455/575.1–575.9; D14/138,
D14/248, 250–251; 379/455

See application file for complete search history.

(56) **References Cited**

U.S. PATENT DOCUMENTS

D515,807 S *	2/2006	Faillace	D3/218
D561,463 S *	2/2008	Malhotra	D3/218
D611,702 S *	3/2010	Fahrendorff et al.	D3/218
D613,056 S *	4/2010	Fahrendorff et al.	D3/218
D635,354 S *	4/2011	Uchida	D3/218
D674,592 S *	1/2013	Basmaji	D3/218
D685,571 S *	7/2013	Chang	D3/218

* cited by examiner

Primary Examiner — Catheri Oliver-Garcia

(74) *Attorney, Agent, or Firm* — Gary E. Lambert; David J. Connaughton, Jr.; Lambert & Associates

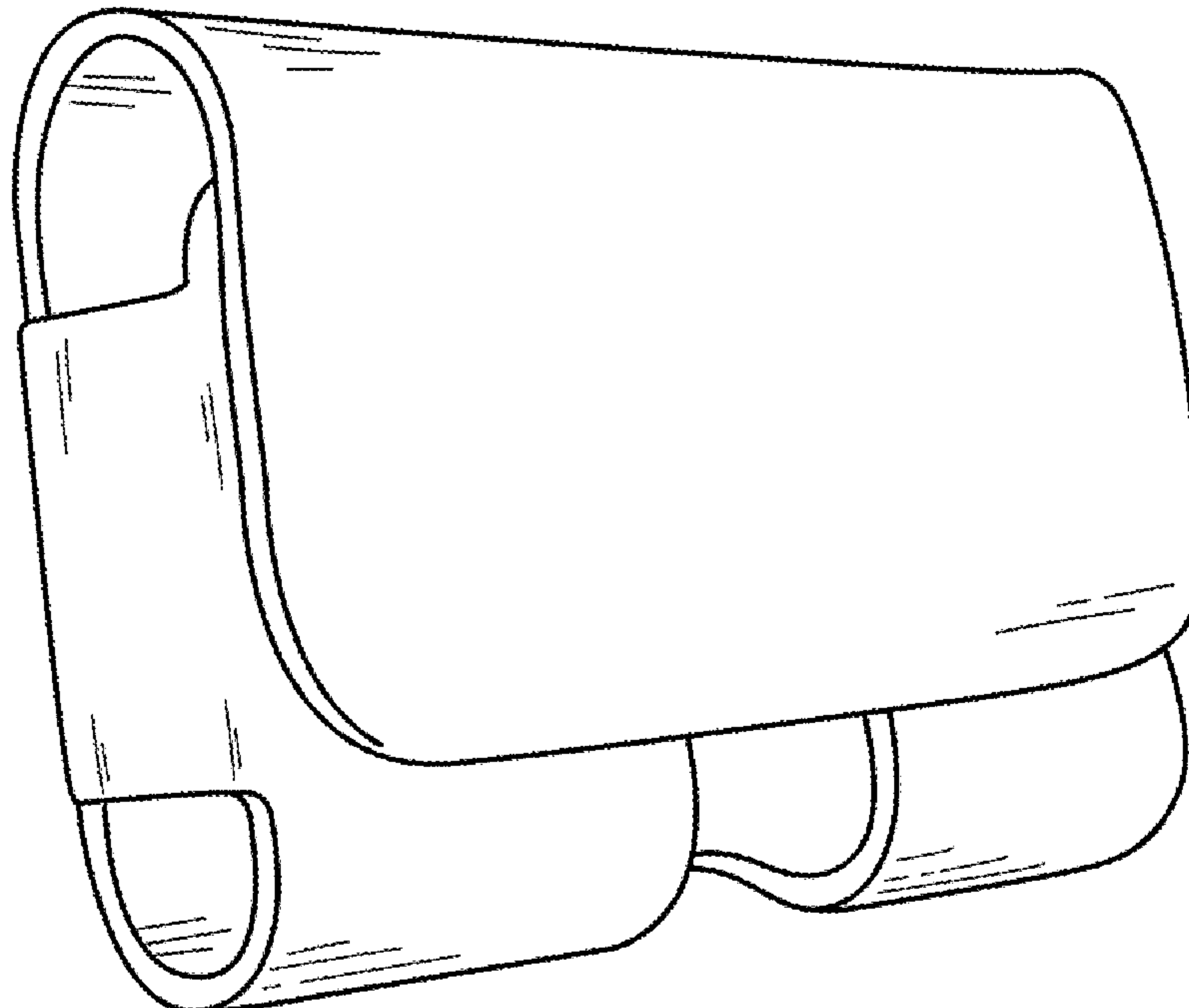
(57) **CLAIM**

The ornamental design for a cell phone holster, as shown and described.

DESCRIPTION

FIG. 1 is a front isometric view of the cell phone holster, which embodies my design;
FIG. 2 is a rear isometric view of the cell phone holster;
FIG. 3 is a front view of the cell phone holster;
FIG. 4 is a rear view of the cell phone holster;
FIG. 5 is a top view of the cell phone holster;
FIG. 6 is a bottom view of the cell phone holster;
FIG. 7 is a right side view of the cell phone holster;
FIG. 8 is a left side view of the cell phone holster;
FIG. 9 is an illustrative view of a cell phone holster showing my new design in a position of use. The broken line showing of a cell phone in FIG. 9 is for illustrative purposes only and forms no part of the claimed design; and,
FIG. 10 is an illustrative view of a cell phone holster showing my new design in a position of use. The broken line showing of a belt in FIG. 10 is for illustrative purposes only and forms no part of the claimed design.

1 Claim, 4 Drawing Sheets



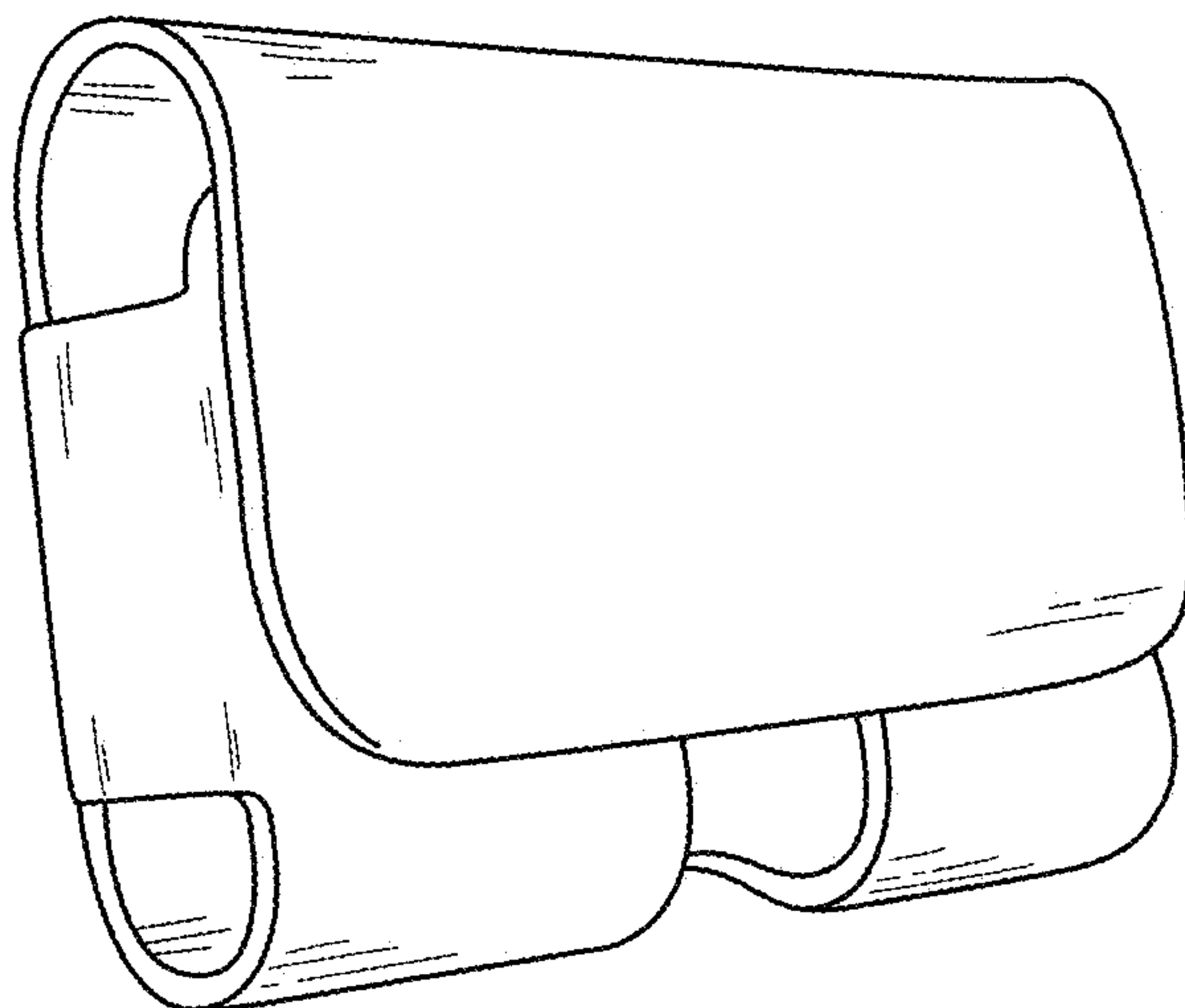


Fig. 1

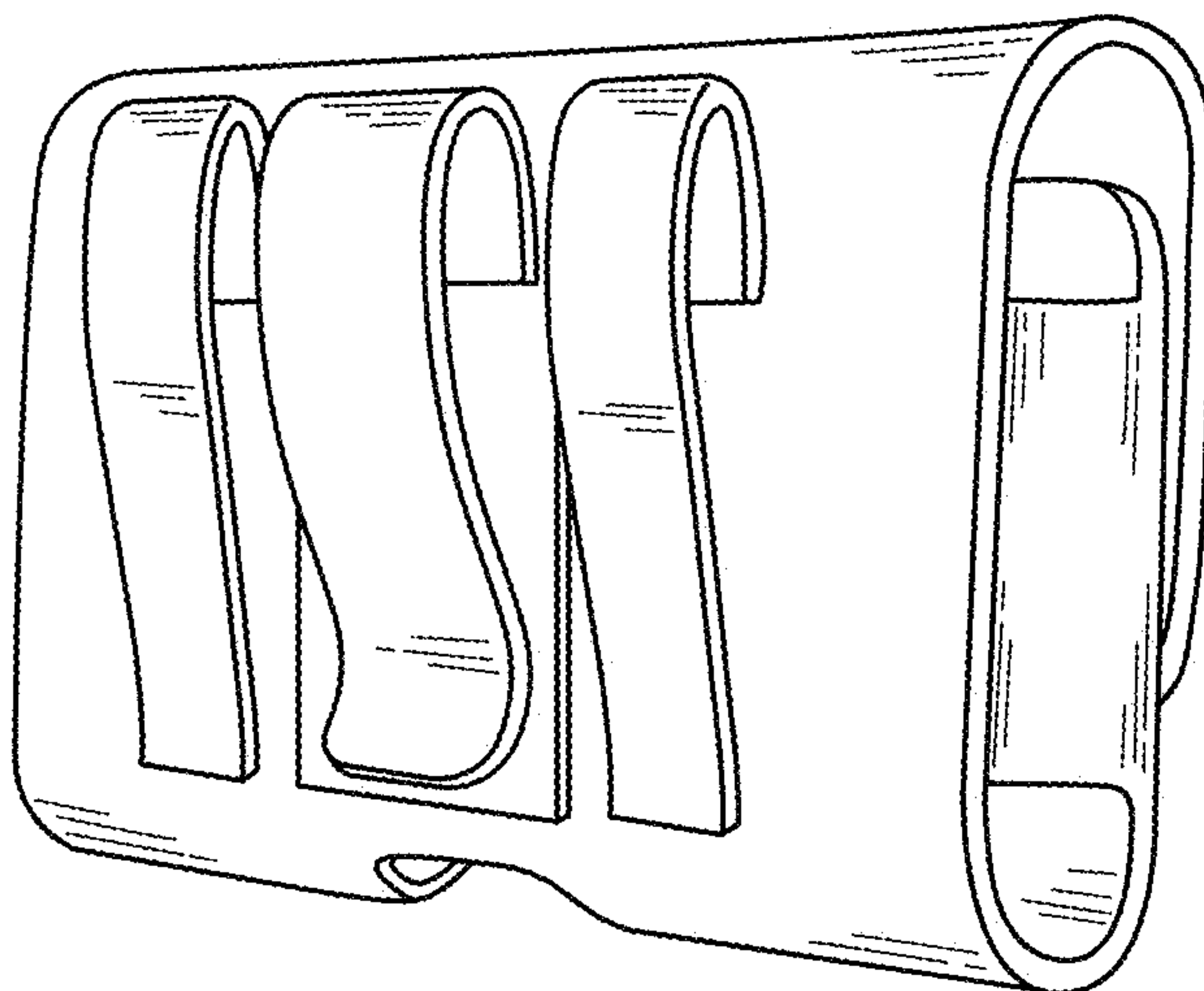


Fig. 2

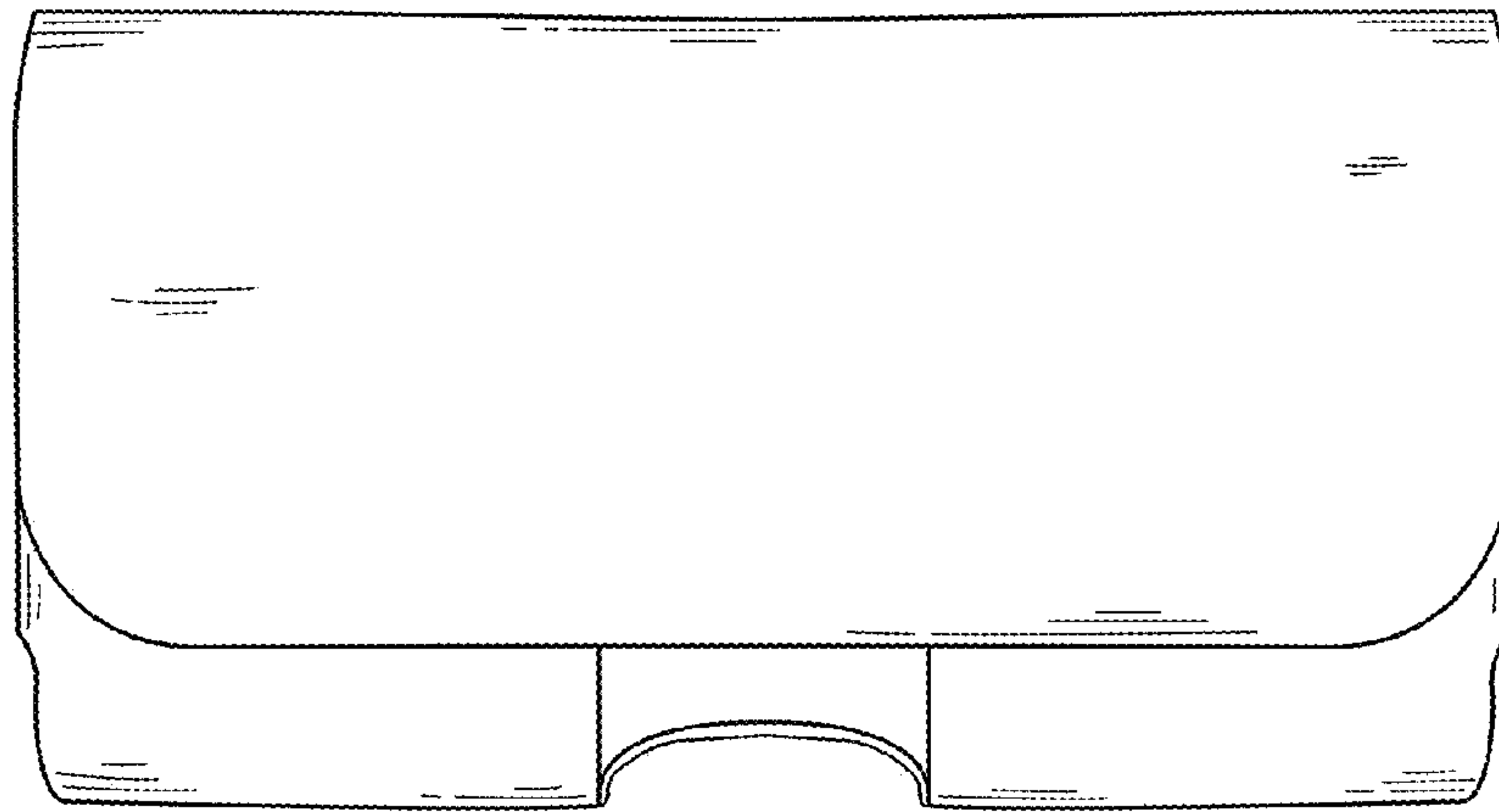


Fig. 3

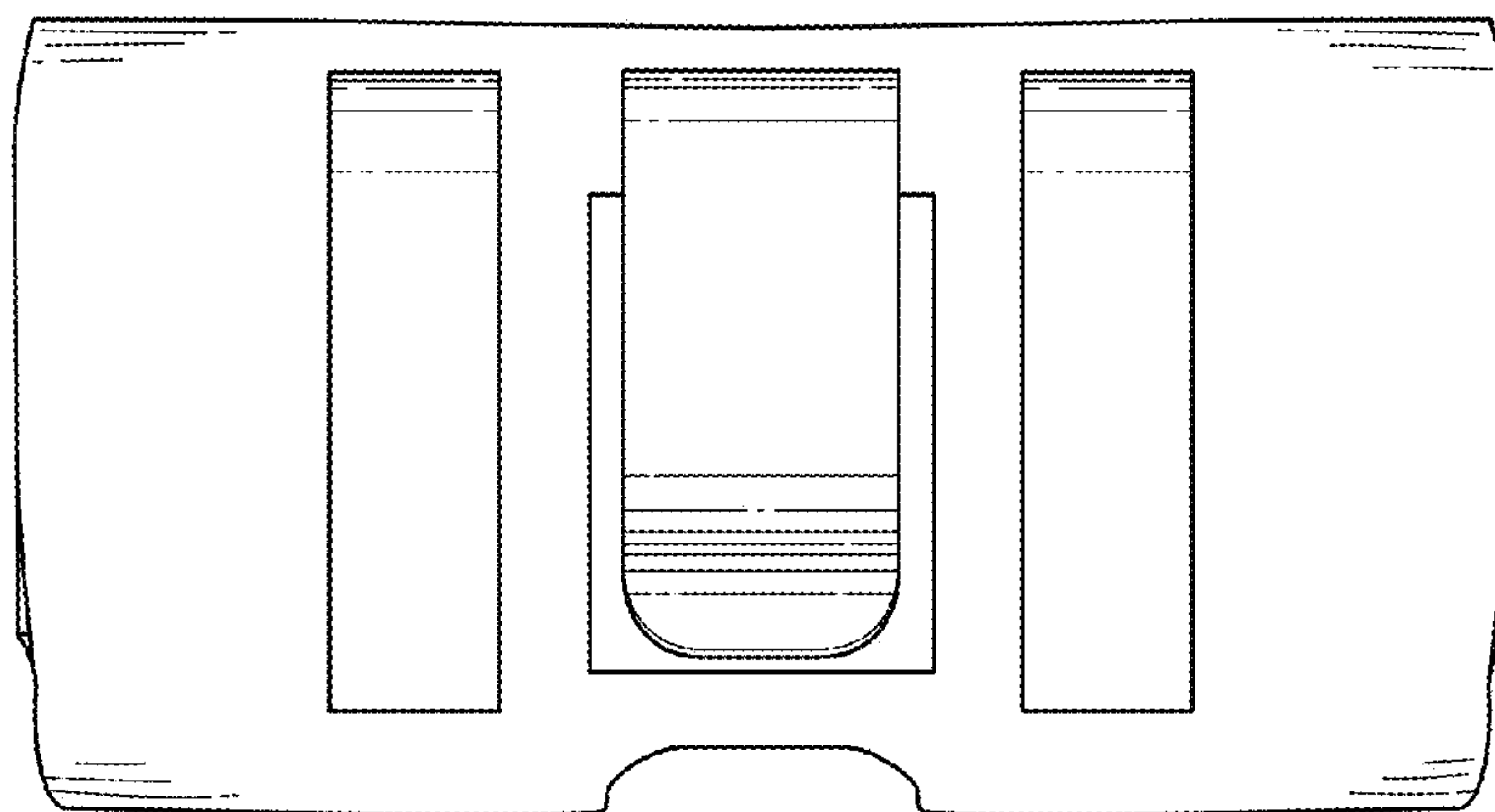


Fig. 4

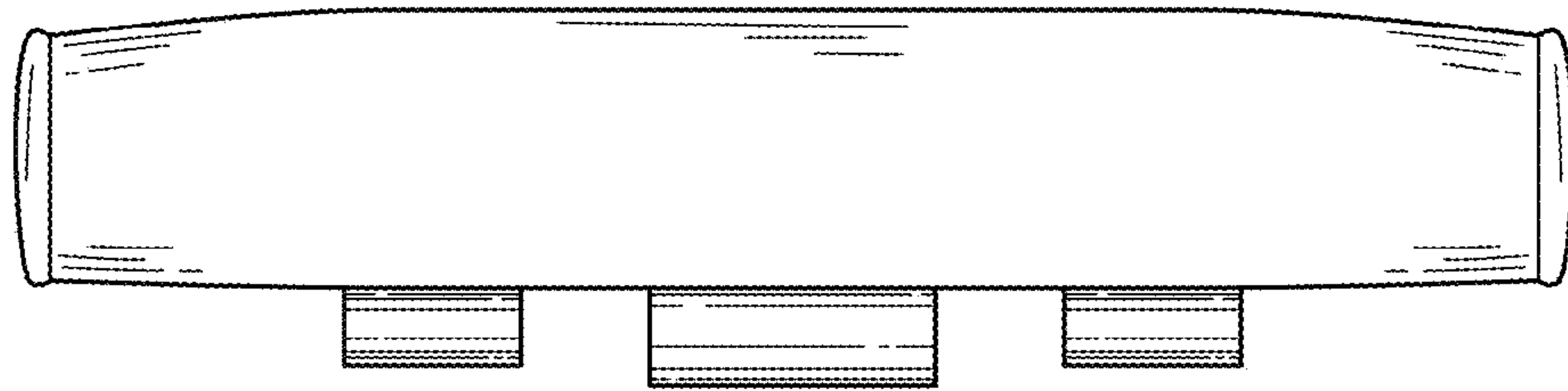


Fig. 5

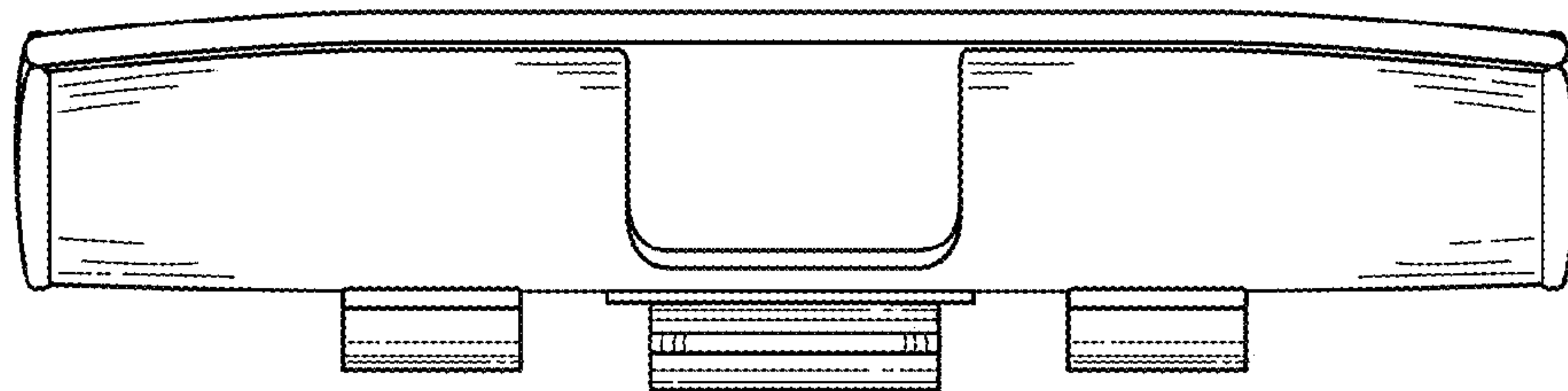


Fig. 6

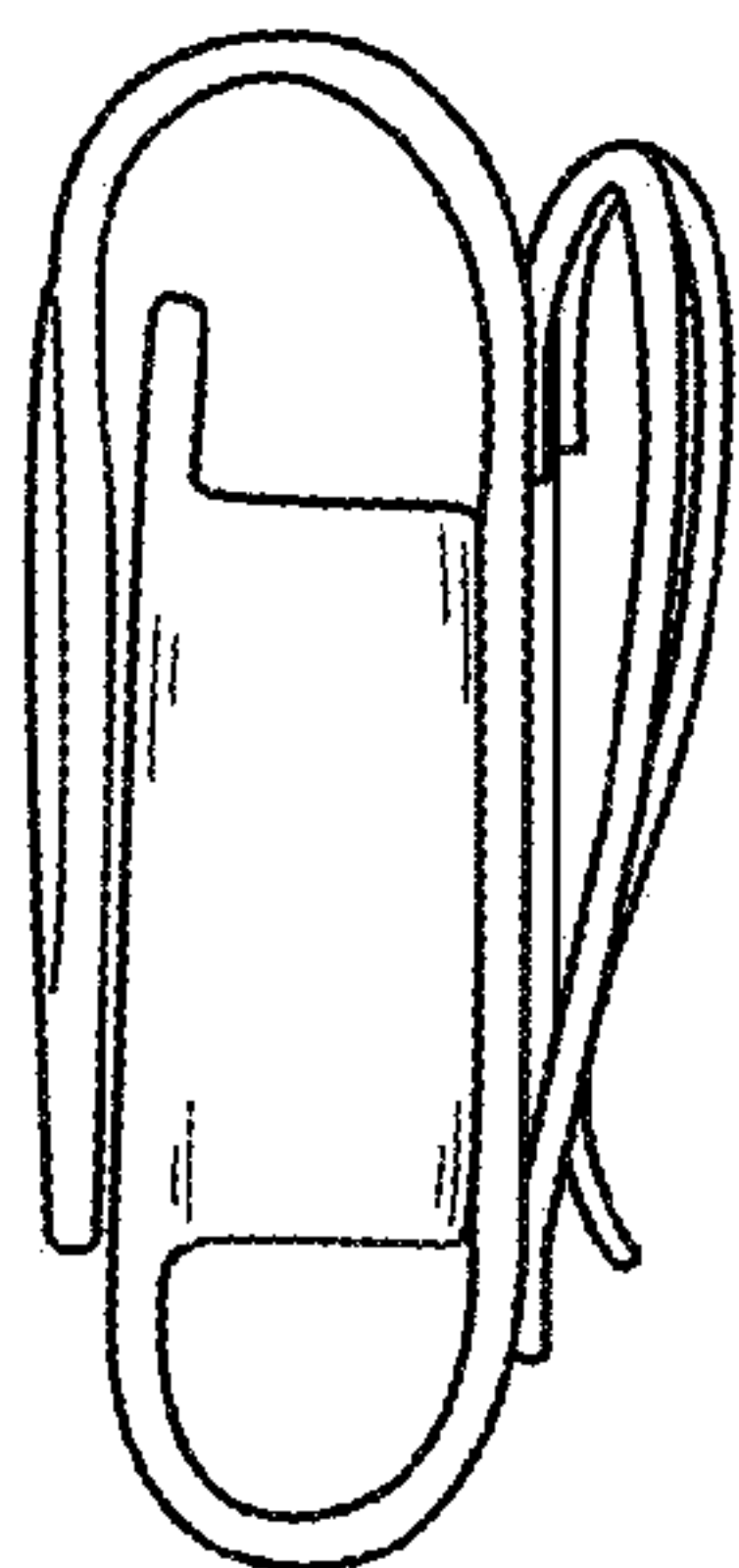


Fig. 7

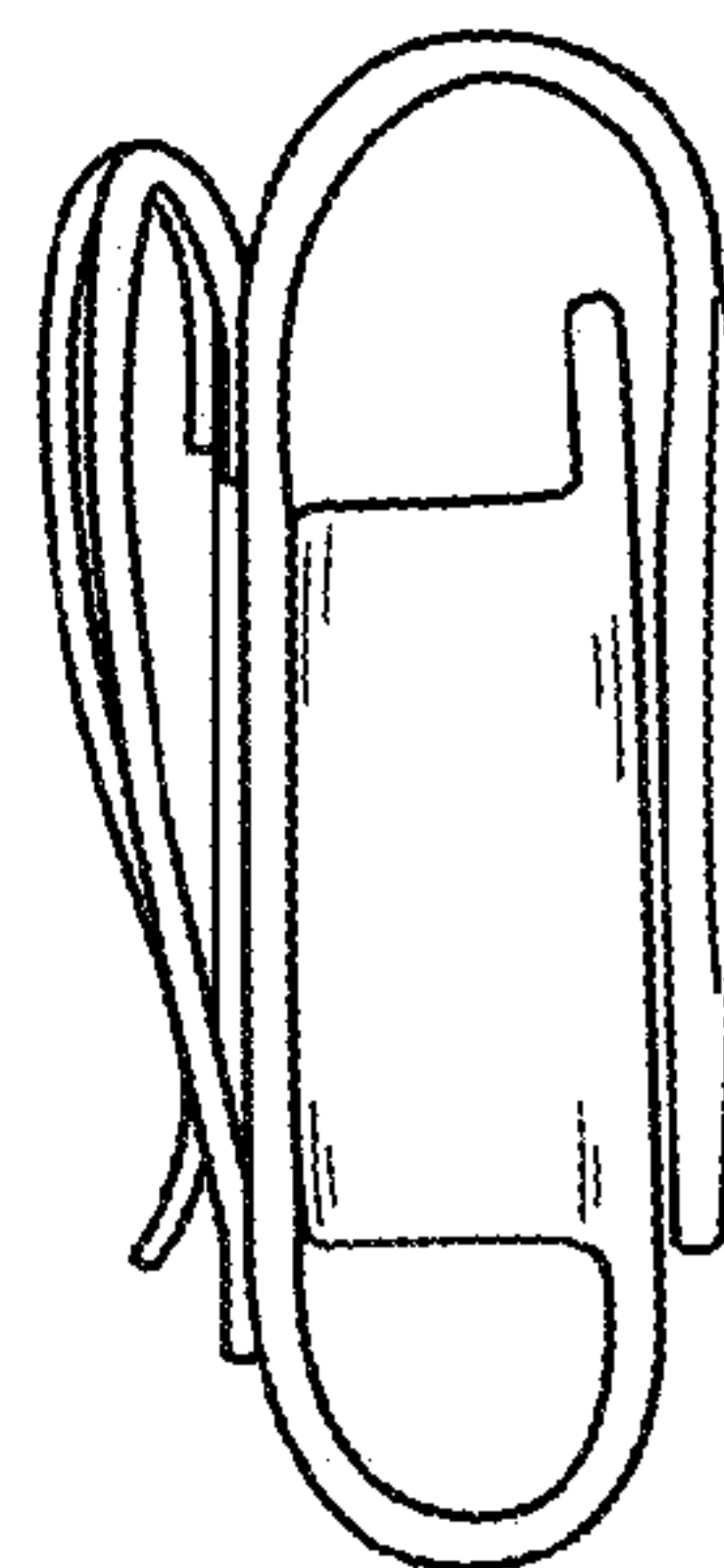


Fig. 8

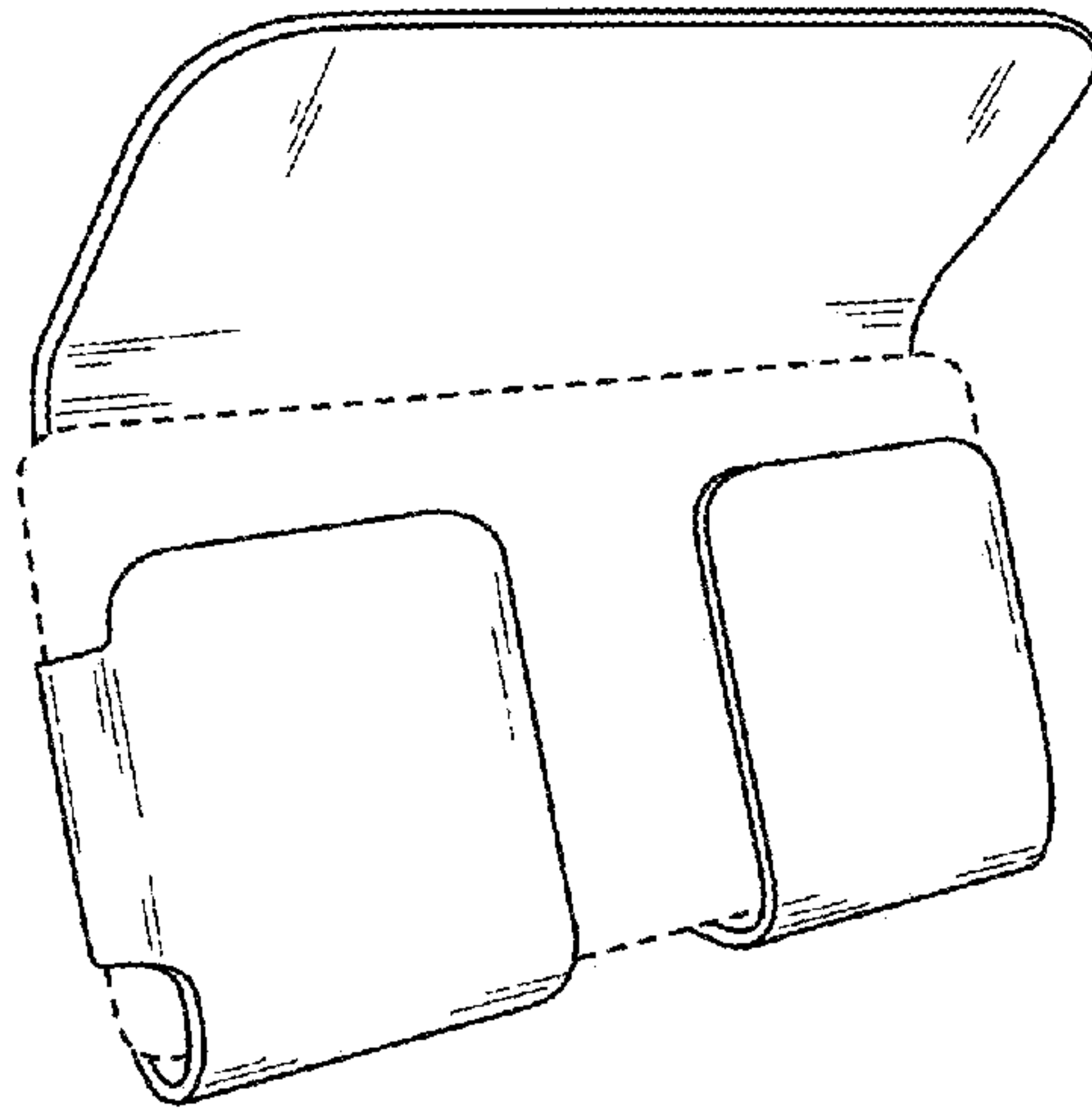


Fig. 9

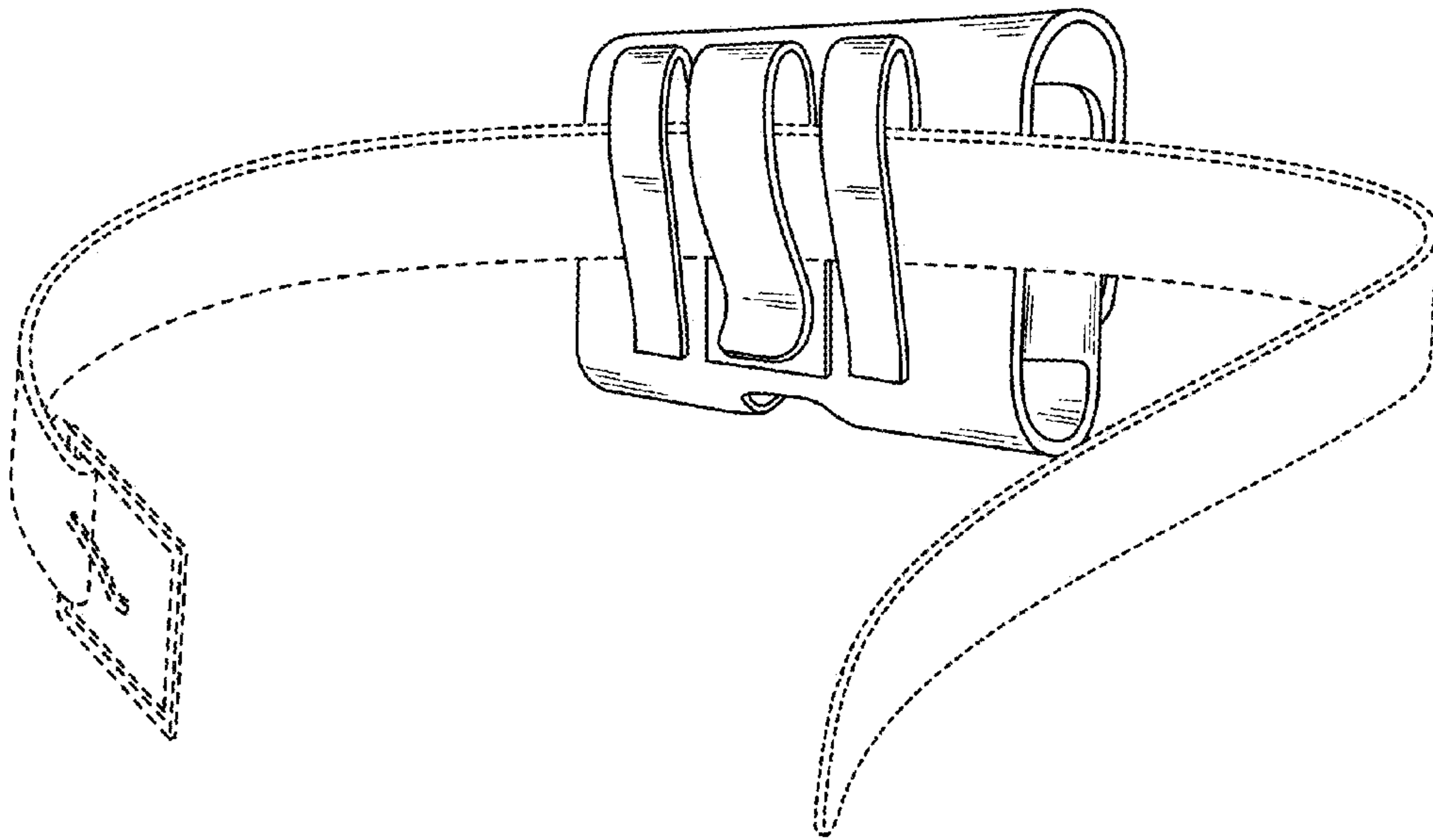


Fig. 10