

US00D694995S

(12) **United States Design Patent**
Nguyen

(10) **Patent No.:** **US D694,995 S**

(45) **Date of Patent:** **** Dec. 10, 2013**

(54) **STRAP FOR SANDAL**

(76) Inventor: **Peter Nguyen**, Manvel, TX (US)

(**) Term: **14 Years**

(21) Appl. No.: **29/403,425**

(22) Filed: **Oct. 5, 2011**

(51) **LOC (9) Cl.** **02-04**

(52) **U.S. Cl.**
USPC **D2/916**; D2/978

(58) **Field of Classification Search**
USPC D2/896, 916-918, 946, 968, 969, 976;
36/11.5, 101, 83, 7.5, 45, 137, 58.5
See application file for complete search history.

(56) **References Cited**

U.S. PATENT DOCUMENTS

366,266 A	7/1887	Smithers	
430,982 A	6/1890	Ziegler	
459,616 A	9/1891	Von Rohonczy	
736,194 A	8/1903	Bassett	
950,862 A	3/1910	Nelson	
1,110,362 A	9/1914	Whitaker	
1,908,433 A	7/1931	Manville	
2,112,761 A	3/1936	Buehner	
2,233,544 A	3/1941	McKinley	
2,390,685 A	12/1945	Benson	
D147,308 S	8/1947	Steel	
2,491,297 A	12/1949	Brown	
2,724,913 A	11/1955	Russel	
2,741,039 A	4/1956	Mathews	
3,001,302 A	9/1961	Farley	
3,047,967 A	8/1962	Hoyt et al.	
3,121,962 A	2/1964	Gullo	
3,290,802 A	12/1966	Fukuoka	
3,336,683 A	8/1967	Schellkopf	
3,978,596 A	9/1976	Brown et al.	
4,017,987 A	4/1977	Perez, Jr. et al.	
4,026,047 A *	5/1977	Ahmer	36/136
4,051,610 A	10/1977	Shigeji	
D260,047 S	8/1981	Heinz	

4,461,288 A	7/1984	Curtis	
4,530,171 A	7/1985	Zabala	
4,649,939 A *	3/1987	Curtis	602/27
4,920,664 A	5/1990	McGregor et al.	
D328,517 S *	8/1992	Hallenbeck	D2/978
D336,717 S *	6/1993	Allen et al.	D2/973
5,228,216 A	7/1993	Sargeant	
D338,320 S	8/1993	Haggart	
D353,483 S *	12/1994	Bailey	D2/969
5,408,761 A *	4/1995	Gazzano	36/88
5,438,767 A *	8/1995	Stein	36/11.5

(Continued)

Primary Examiner — Robert M Spear
Assistant Examiner — Rashida C McCoy
(74) *Attorney, Agent, or Firm* — Buche & Associates, P.C.;
John K. Buche

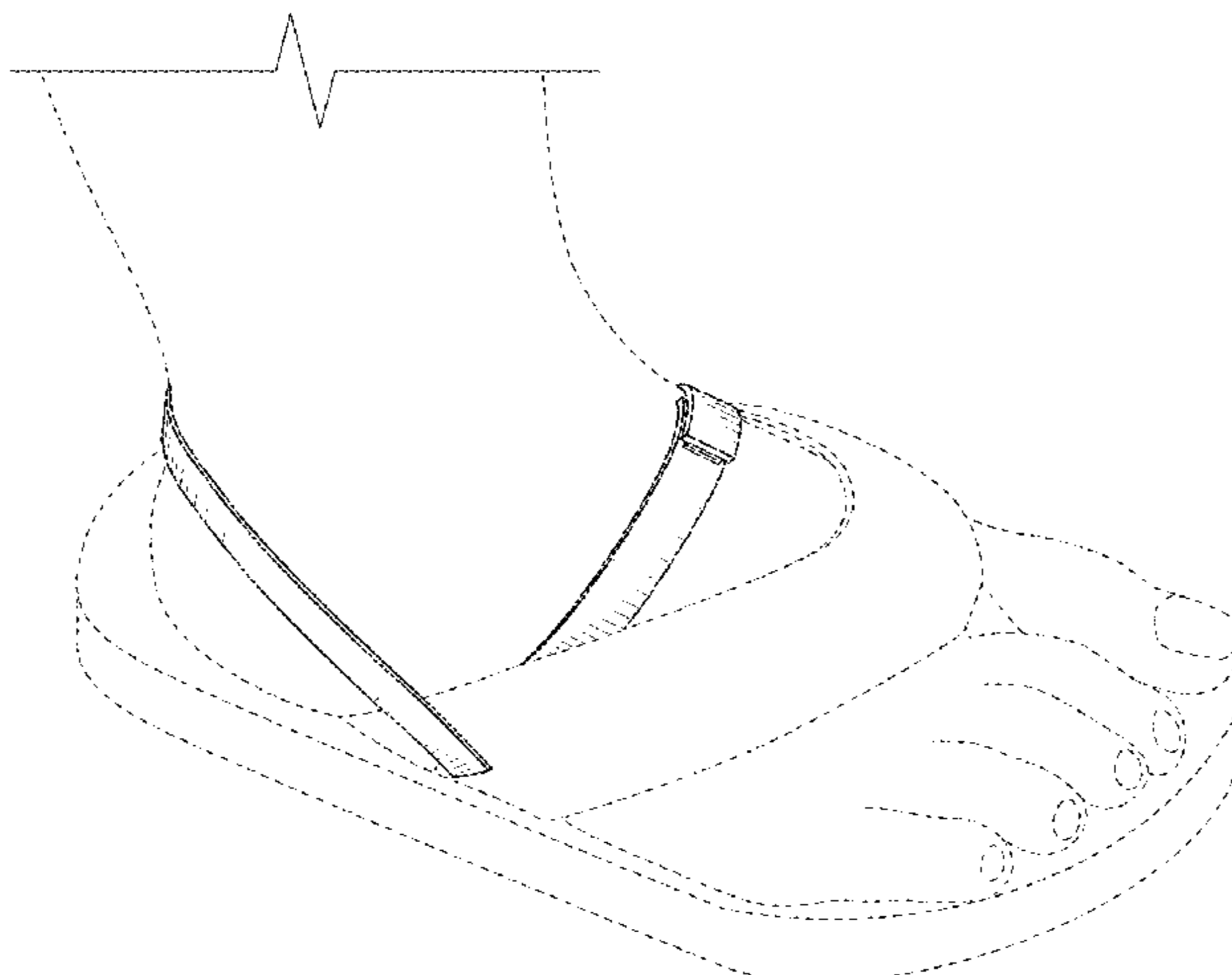
(57) **CLAIM**

The ornamental design for a strap for sandal, as shown and described.

DESCRIPTION

FIG. 1 is an environmental perspective view of a strap for sandal.
FIG. 2 is an environmental right side view of the strap for sandal of FIG. 1.
FIG. 3 is an environmental left side view of the strap for sandal of FIG. 1.
FIG. 4 is an environmental front view of the strap for sandal of FIG. 1.
FIG. 5 is an environmental back view of the strap for sandal of FIG. 1.
FIG. 6 is an environmental top view of the strap for sandal of FIG. 1; and,
FIG. 7 is an environmental bottom view of the strap for sandal of FIG. 1.
Broken lines in the figures are environmental and form no part of the claimed design.

1 Claim, 3 Drawing Sheets



(56)

References Cited

U.S. PATENT DOCUMENTS

D374,335 S *	10/1996	Grimes	D2/909	D525,417 S *	7/2006	Kelsey	D2/969
D376,472 S *	12/1996	Hatfield	D2/976	D529,690 S *	10/2006	Choi	D2/946
5,615,496 A	4/1997	Sharpstein		D556,992 S	12/2007	Choi	
5,651,195 A	7/1997	Clancy		D594,220 S *	6/2009	McDaniel	D2/976
6,237,249 B1	5/2001	Aguerre		D596,834 S *	7/2009	Tatsuno	D2/946
D448,146 S	9/2001	Jacobs		D619,795 S *	7/2010	McBride	D2/961
D453,987 S *	3/2002	Ray	D2/946	D623,839 S *	9/2010	Leleu	D2/972
D495,855 S	9/2004	Comeau		7,823,299 B1	11/2010	Brigham	
D503,271 S *	3/2005	Choi	D2/978	7,854,638 B2	12/2010	Twombly	
D508,306 S *	8/2005	Amado et al.	D2/946	D634,105 S *	3/2011	Cheshire et al.	D2/925
D516,280 S *	3/2006	Jarmon Mouchi et al.	D2/946	D635,757 S *	4/2011	Ward et al.	D2/969
D523,214 S *	6/2006	Jarmon Mouchi et al.	D2/946	D654,671 S *	2/2012	Coleman	D2/946
				2008/0168682 A1	7/2008	Le	
				2008/0189984 A1	8/2008	Januszewski et al.	
				2011/0056091 A1	3/2011	Shmurak et al.	

* cited by examiner

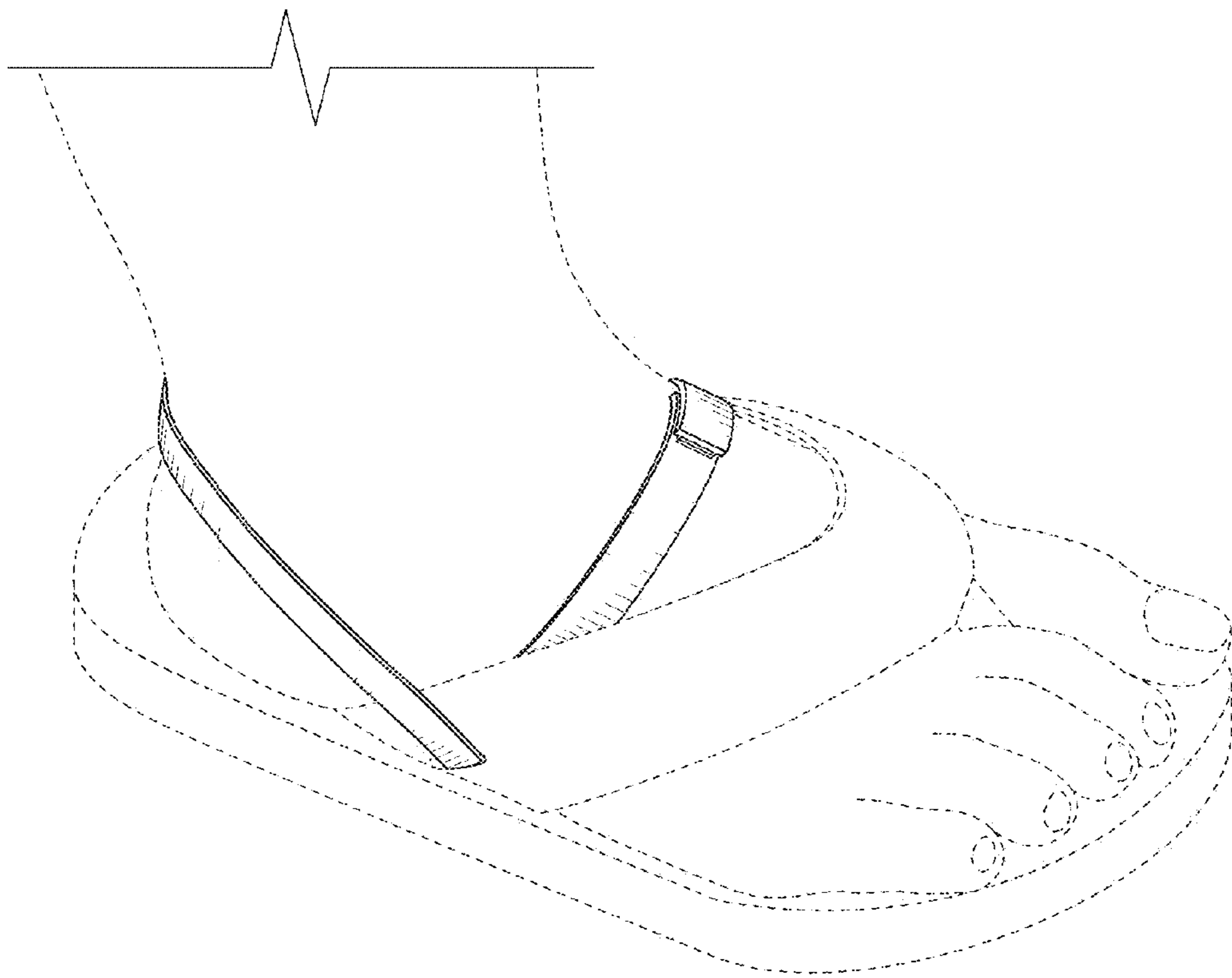


FIG. 1

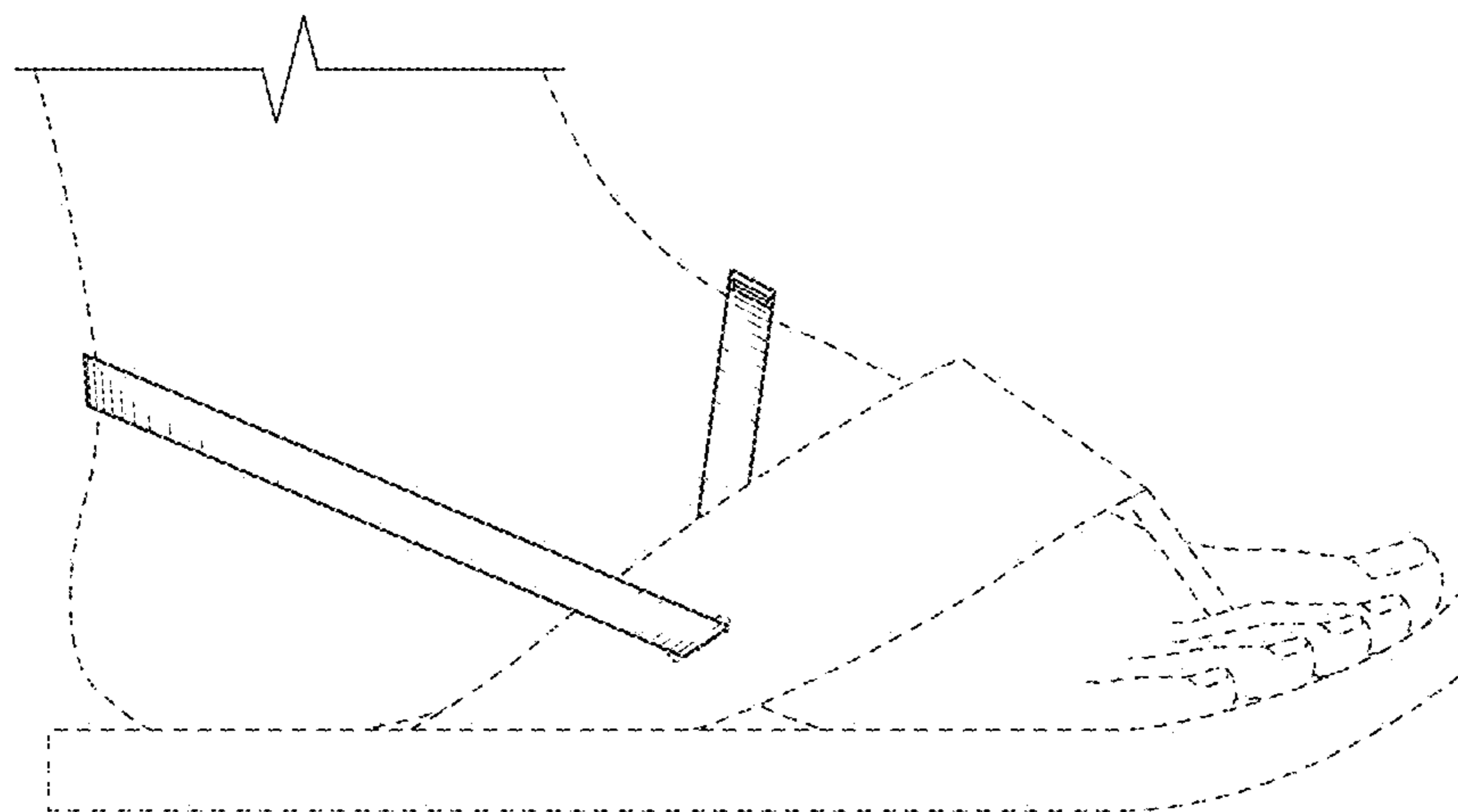


FIG. 2

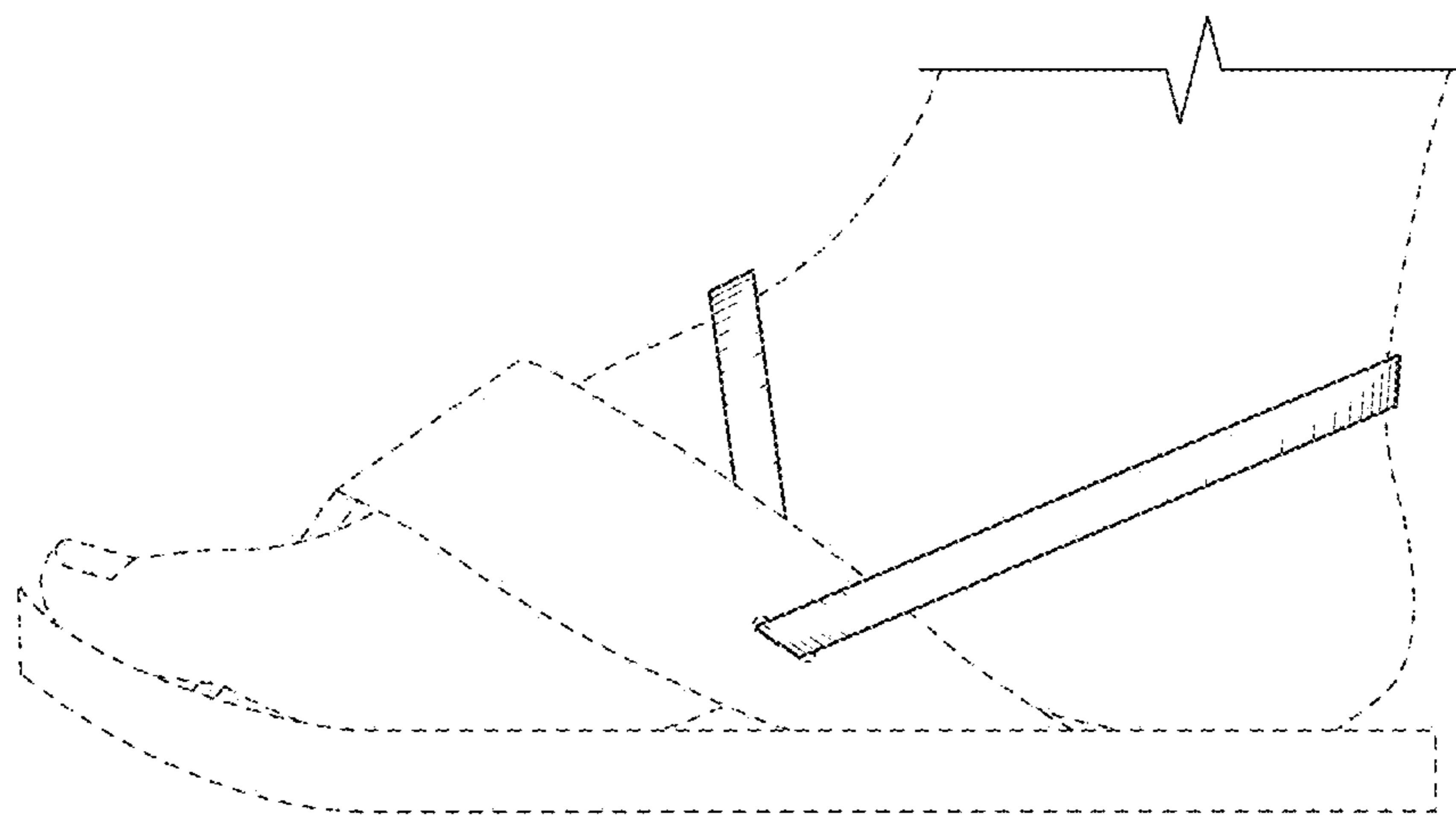


FIG. 3

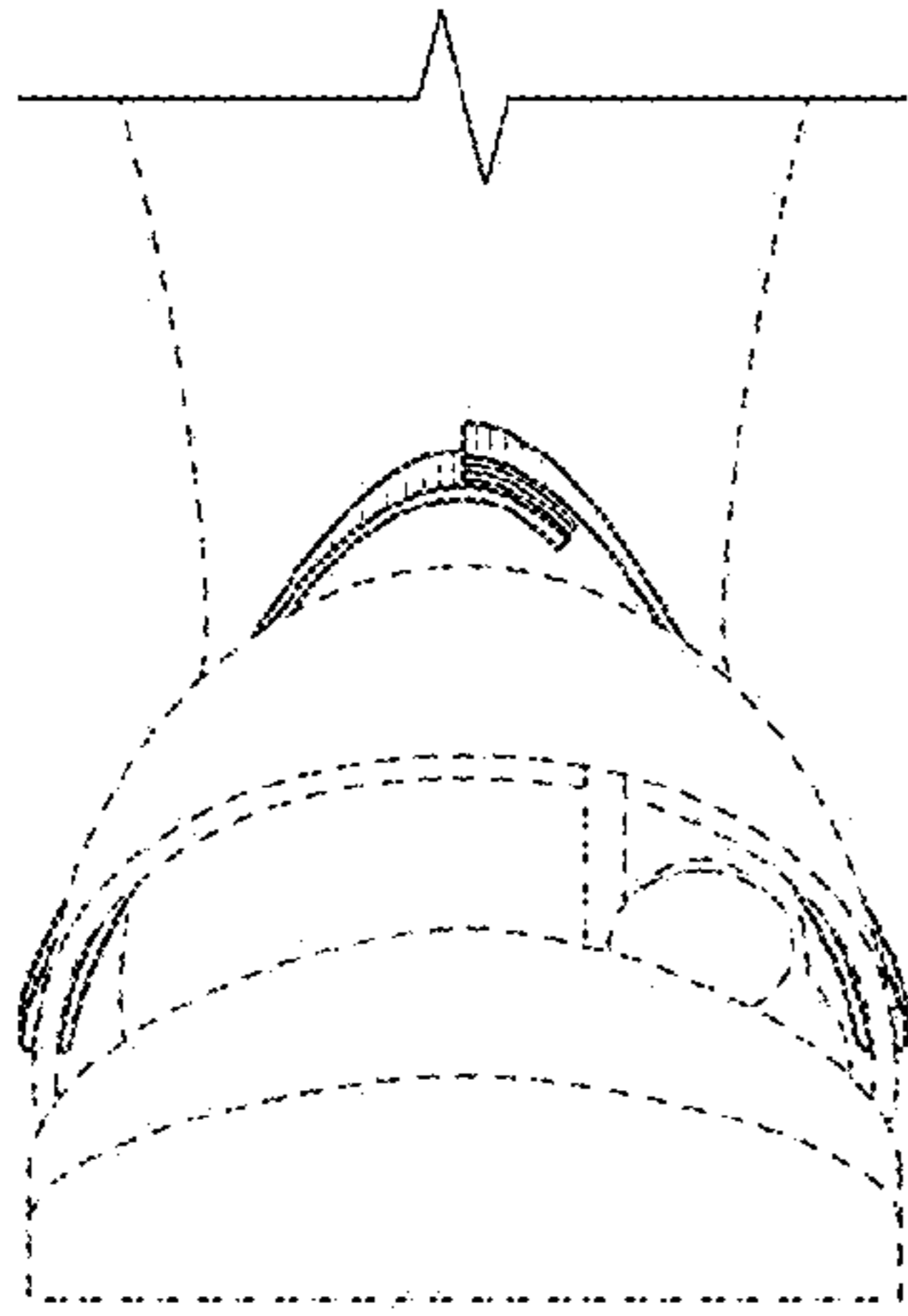


FIG. 4

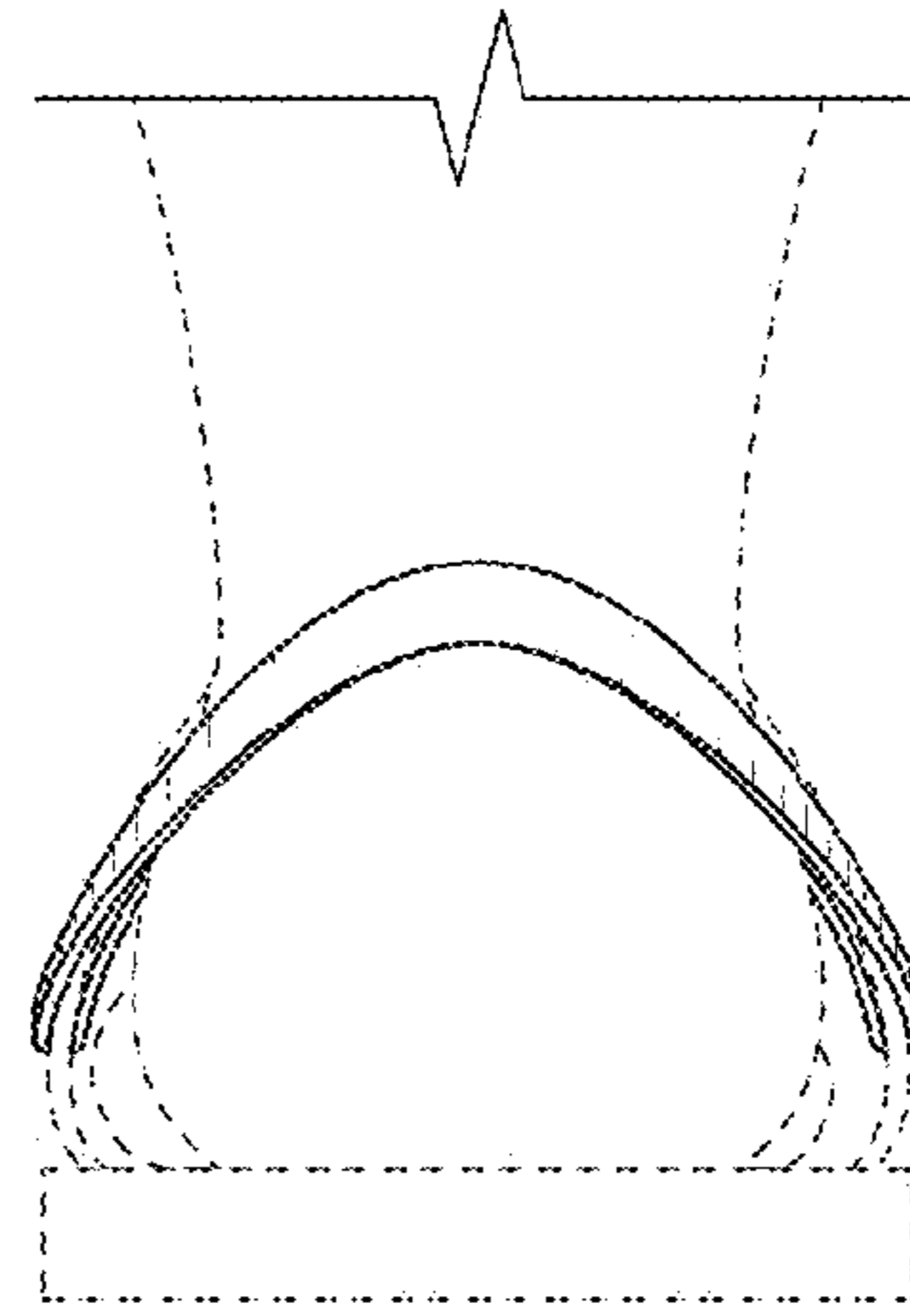


FIG. 5

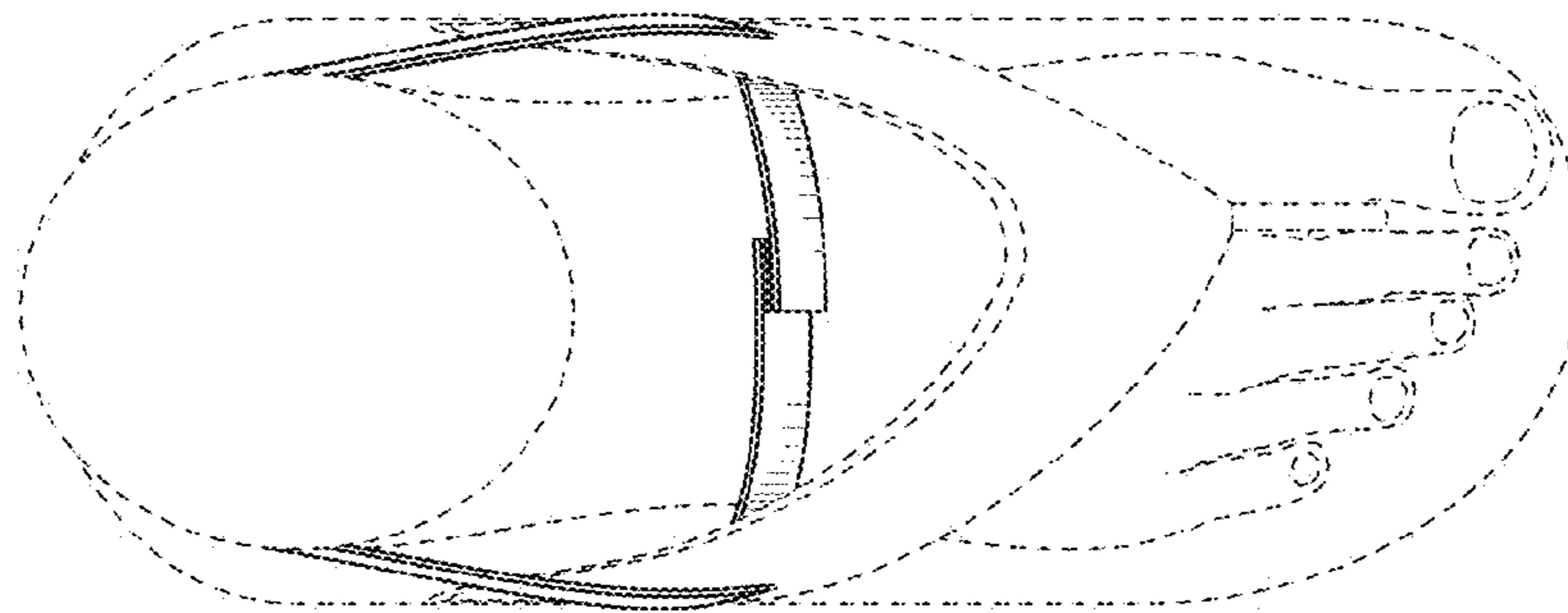


FIG. 6

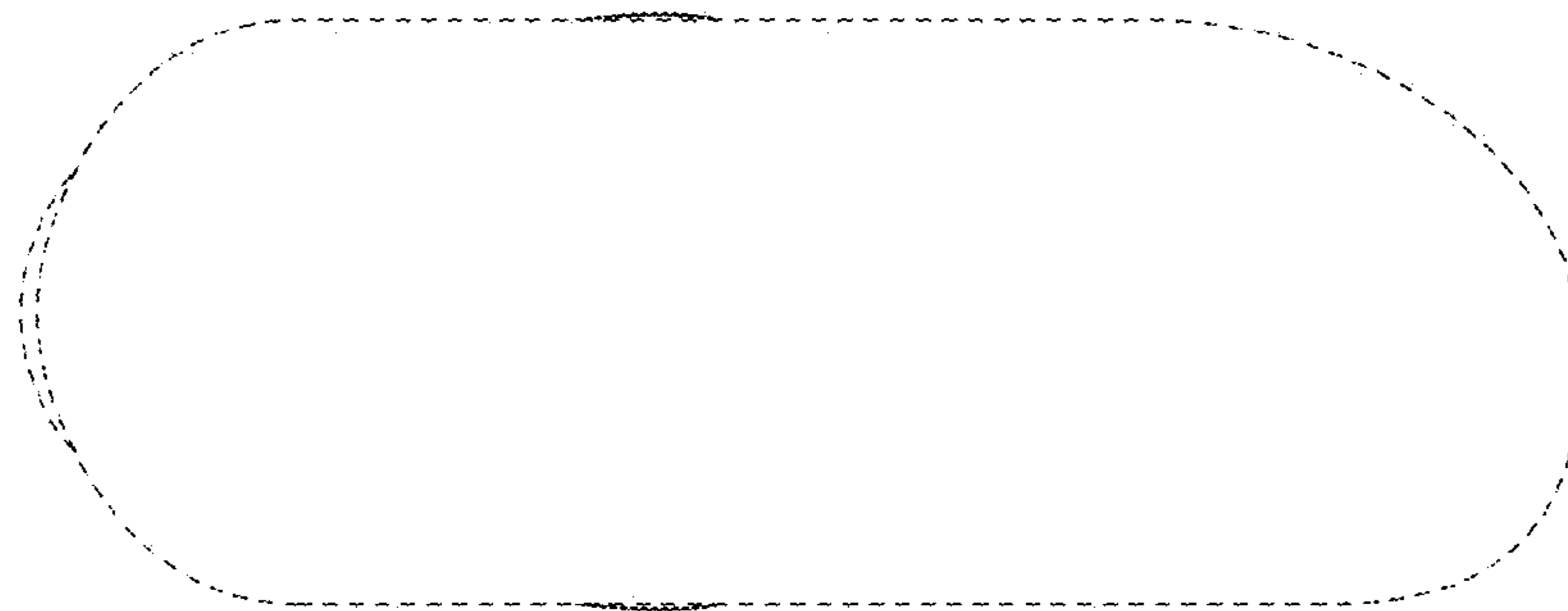


FIG. 7