



US00D694993S

(12) **United States Design Patent**
Tanaka et al.

(10) **Patent No.:** **US D694,993 S**

(45) **Date of Patent:** **** Dec. 10, 2013**

(54) **SPORT SHIRT**

(71) Applicant: **Wacoal Corp.**, Kyoto (JP)

(72) Inventors: **Fumiko Tanaka**, Kyoto (JP); **Nozomu Seike**, Kyoto (JP); **Jo Miyake**, Kyoto (JP)

(73) Assignee: **Wacoal Corporation**, Kyoto (JP)

(**) Term: **14 Years**

(21) Appl. No.: **29/450,836**

(22) Filed: **Mar. 25, 2013**

(30) **Foreign Application Priority Data**

Sep. 28, 2012 (JP) D2012-023740

(51) **LOC (9) Cl.** **02-02**

(52) **U.S. Cl.**
USPC **D2/840**

(58) **Field of Classification Search**
USPC D2/717, 731, 749, 750, 840, 841, 847,
D2/844, 848, 850; 2/90, 106, 113, 115
See application file for complete search history.

(56) **References Cited**

U.S. PATENT DOCUMENTS

1,158,938 A * 11/1915 Kronthal 2/122
D639,023 S * 6/2011 Iamartino et al. D2/828

D641,138 S * 7/2011 Santo et al. D2/840
D654,664 S * 2/2012 Evans et al. D2/839
2006/0053526 A1 * 3/2006 Beland et al. 2/115
2008/0060113 A1 * 3/2008 Walsh 2/116
2009/0249529 A1 * 10/2009 Rodriguez et al. 2/97
2010/0287680 A1 * 11/2010 Johnson et al. 2/87

* cited by examiner

Primary Examiner — Rashida Johnson

(74) *Attorney, Agent, or Firm* — :Leydig, Voit & Mayer Ltd.

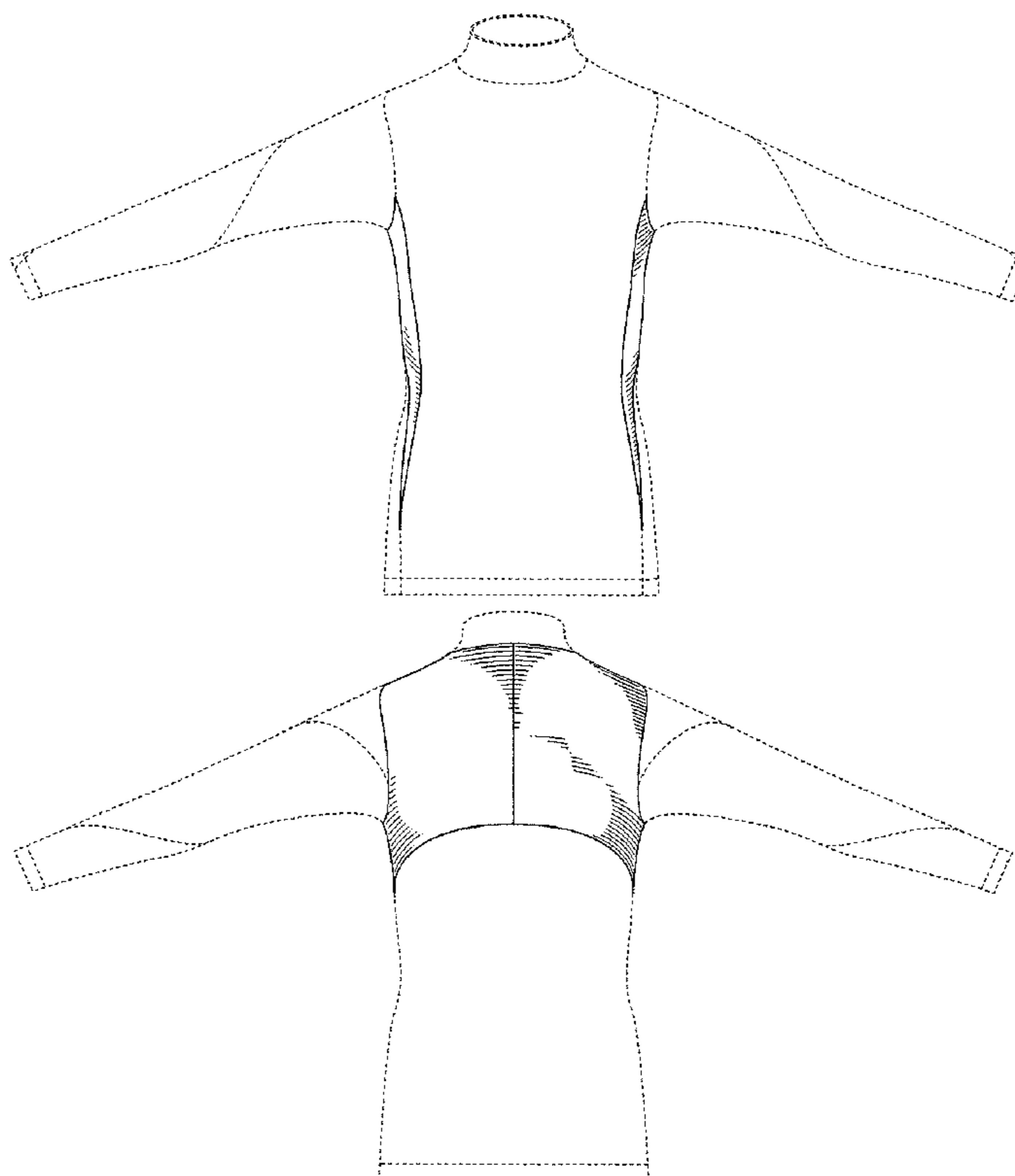
(57) **CLAIM**

The ornamental design for a sport shirt, as shown and described.

DESCRIPTION

FIG. 1 is a front view of a sport shirt of the present invention. FIG. 2 is a rear view of the sport shirt of FIG. 1. FIG. 3 is a top plan view of the sport shirt of FIG. 1. FIG. 4 is a bottom view of the sport shirt of FIG. 1. FIG. 5 is a right side view of the sport shirt of FIG. 1. FIG. 6 is a left side view of the sport shirt of FIG. 1. FIG. 7 is a front perspective view of the sport shirt of FIG. 1. FIG. 8 is a rear perspective view of the sport shirt of FIG. 1. FIG. 9 is a front view showing the sport shirt of FIG. 1 in a laid flat position; and, FIG. 10 is a rear view showing the sport shirt of FIG. 1 in a laid flat position. The features shown in broken lines depict environmental subject matter only and form no part of the claimed design.

1 Claim, 10 Drawing Sheets



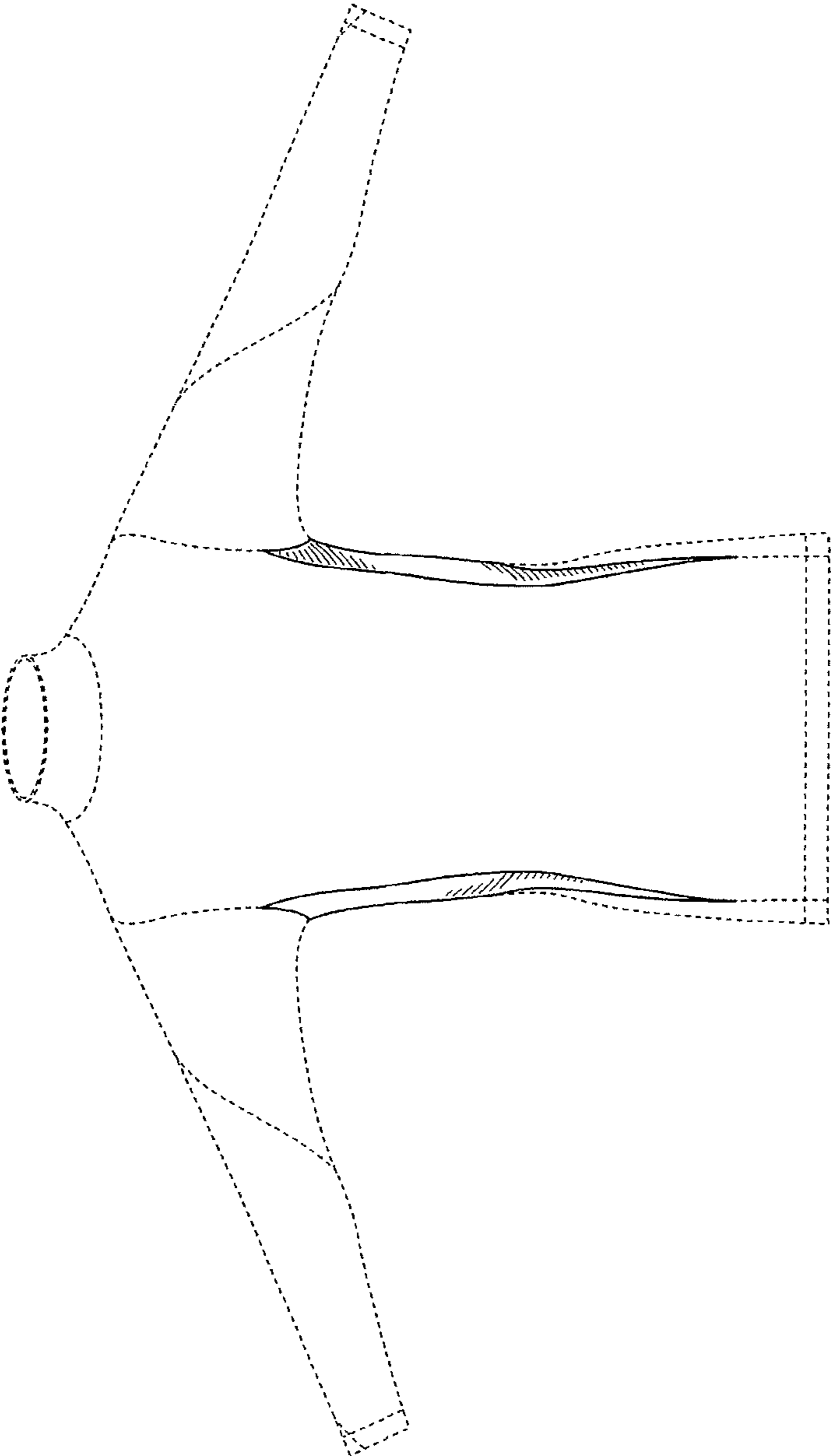


FIG.1

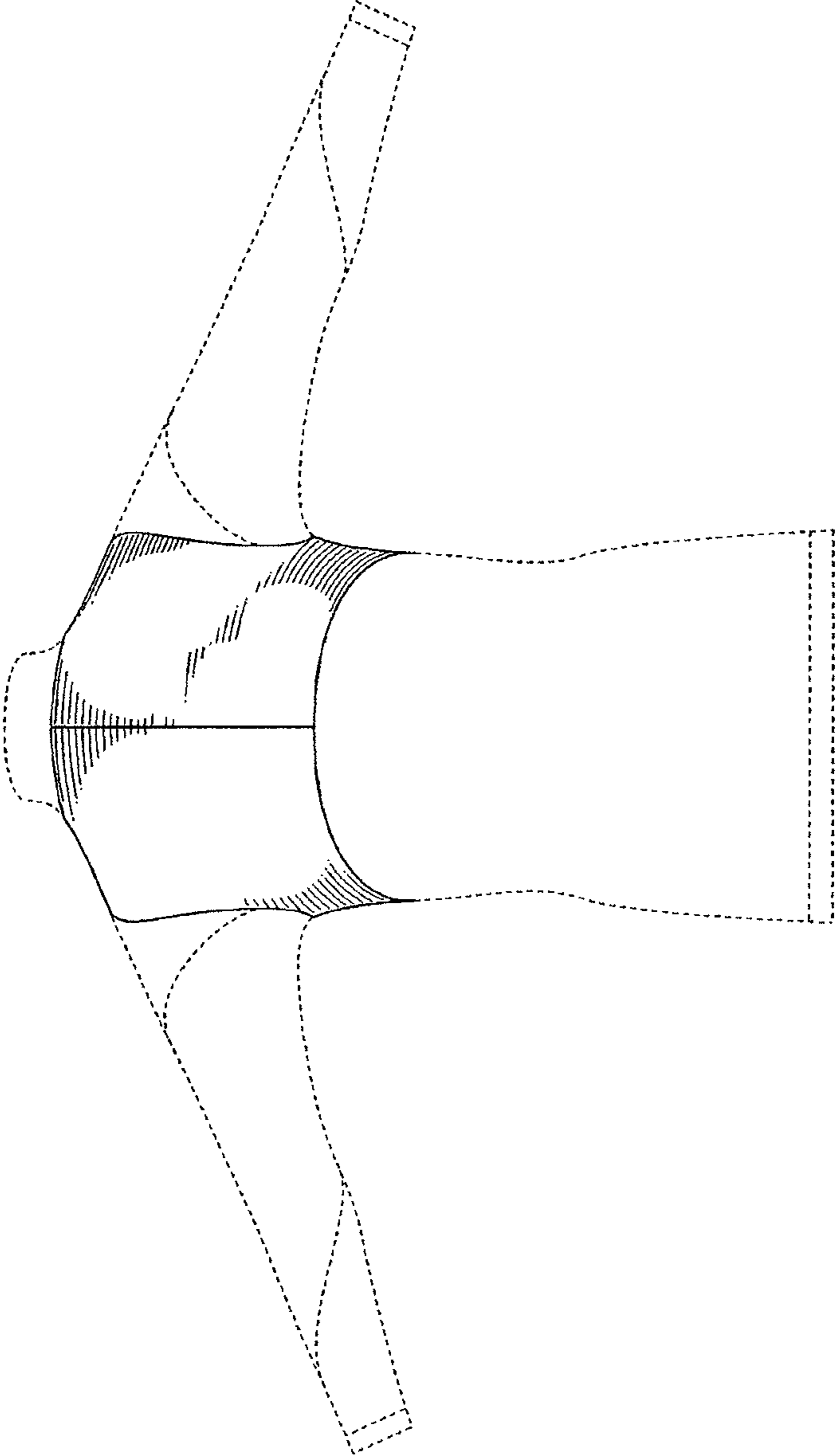


FIG.2

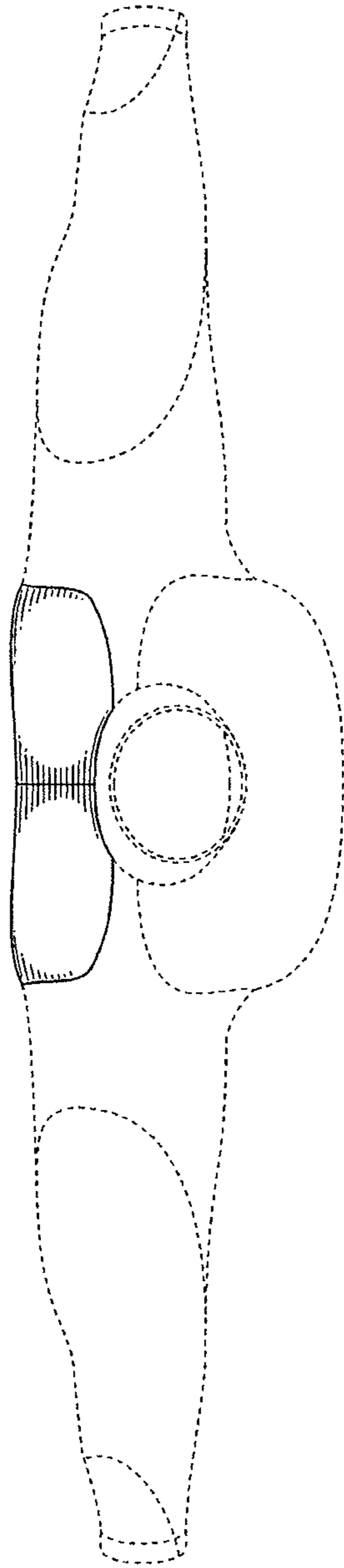


FIG.3

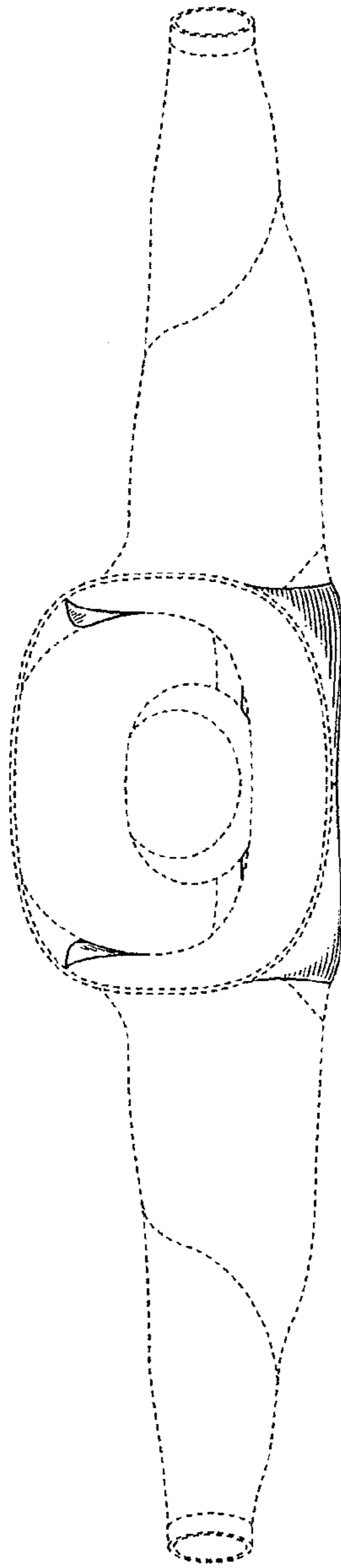


FIG.4

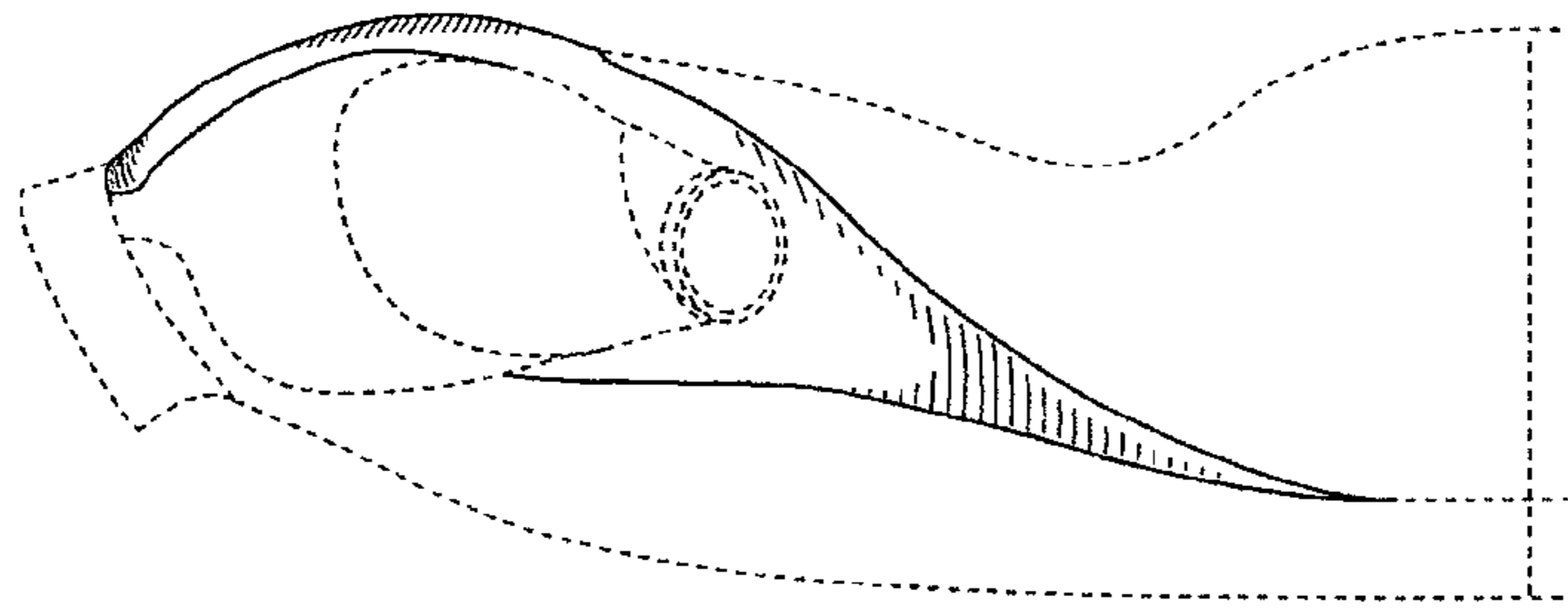


FIG.5

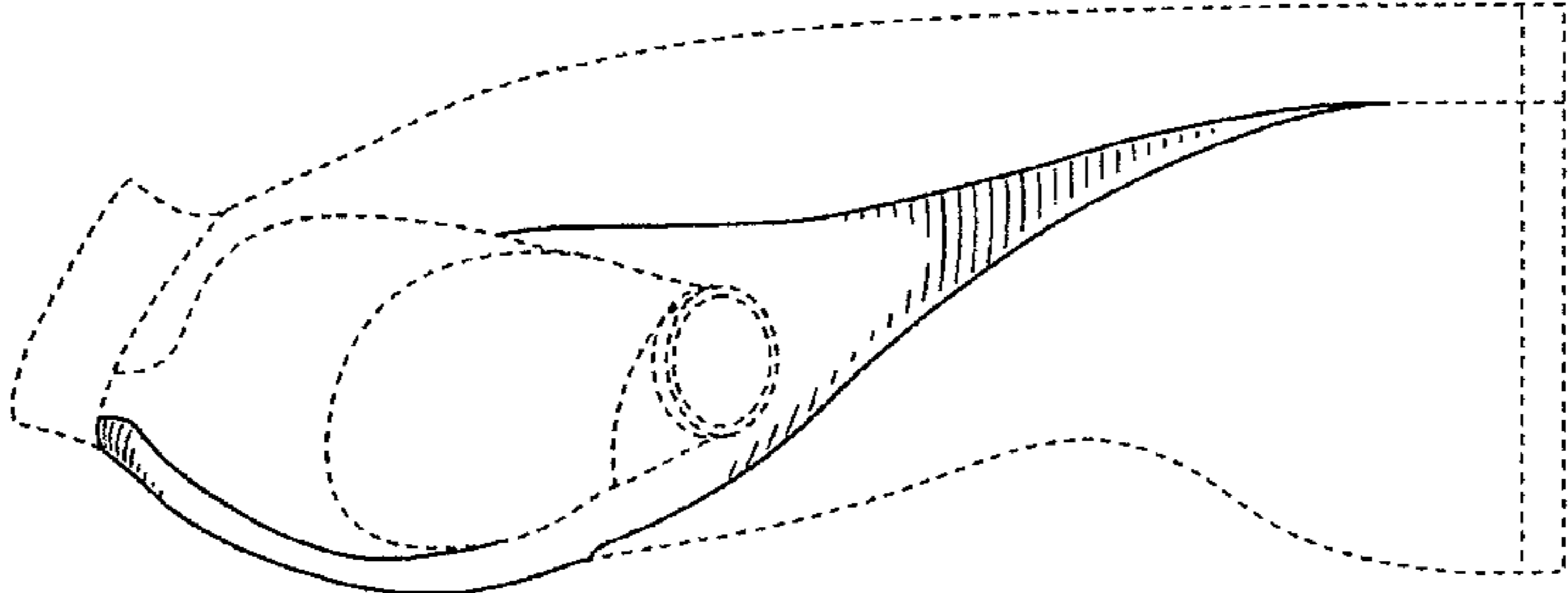


FIG.6

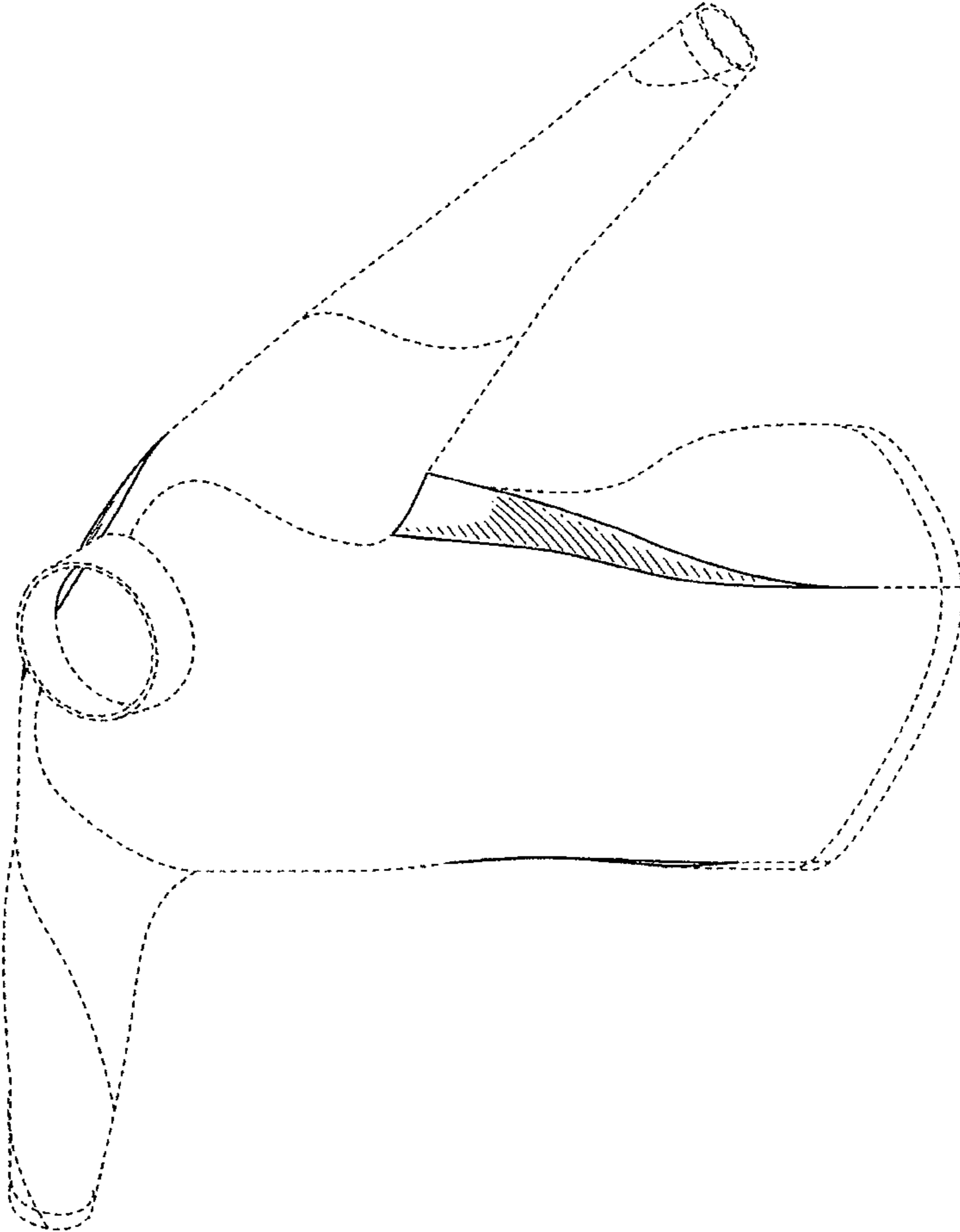


FIG.7

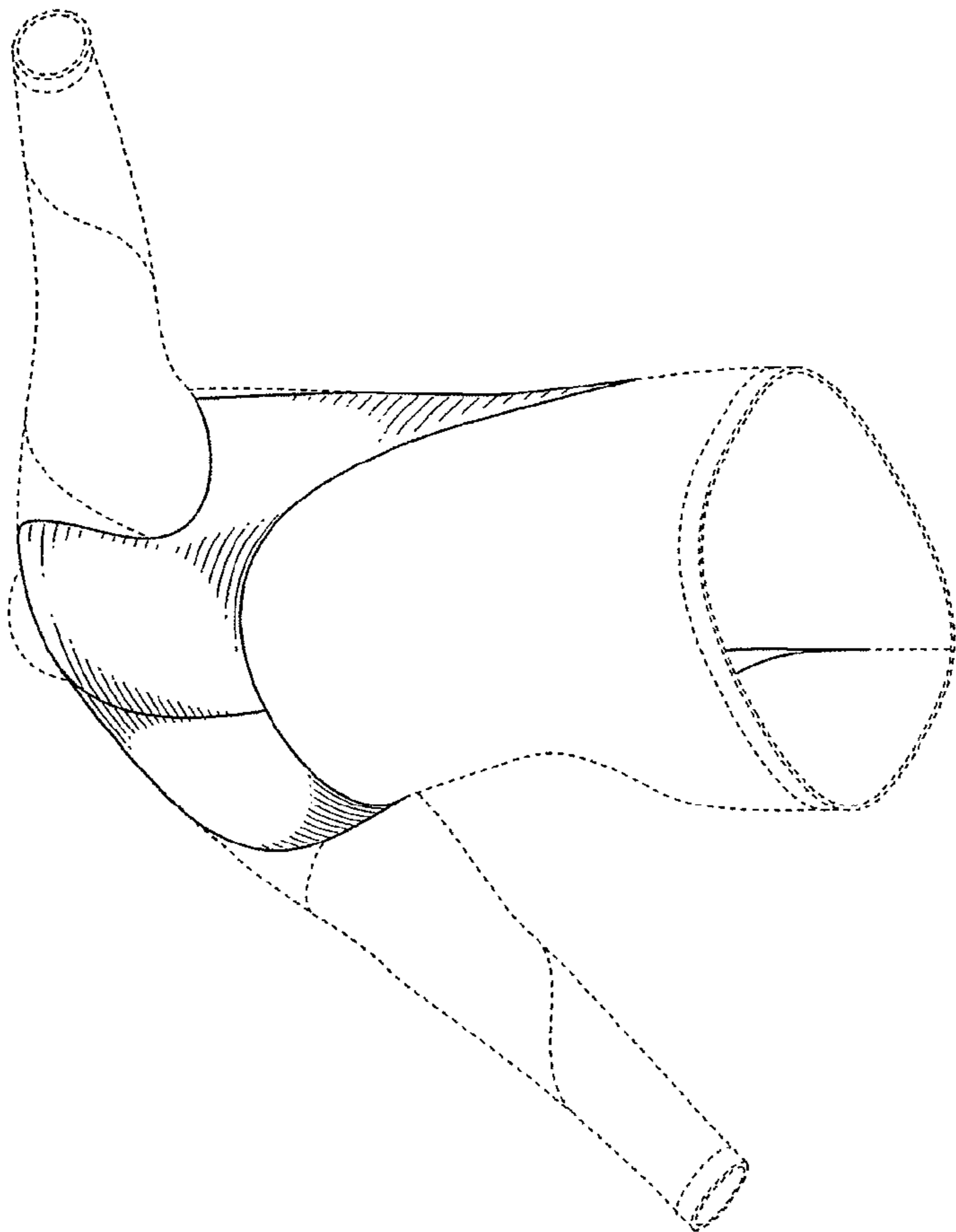


FIG.8

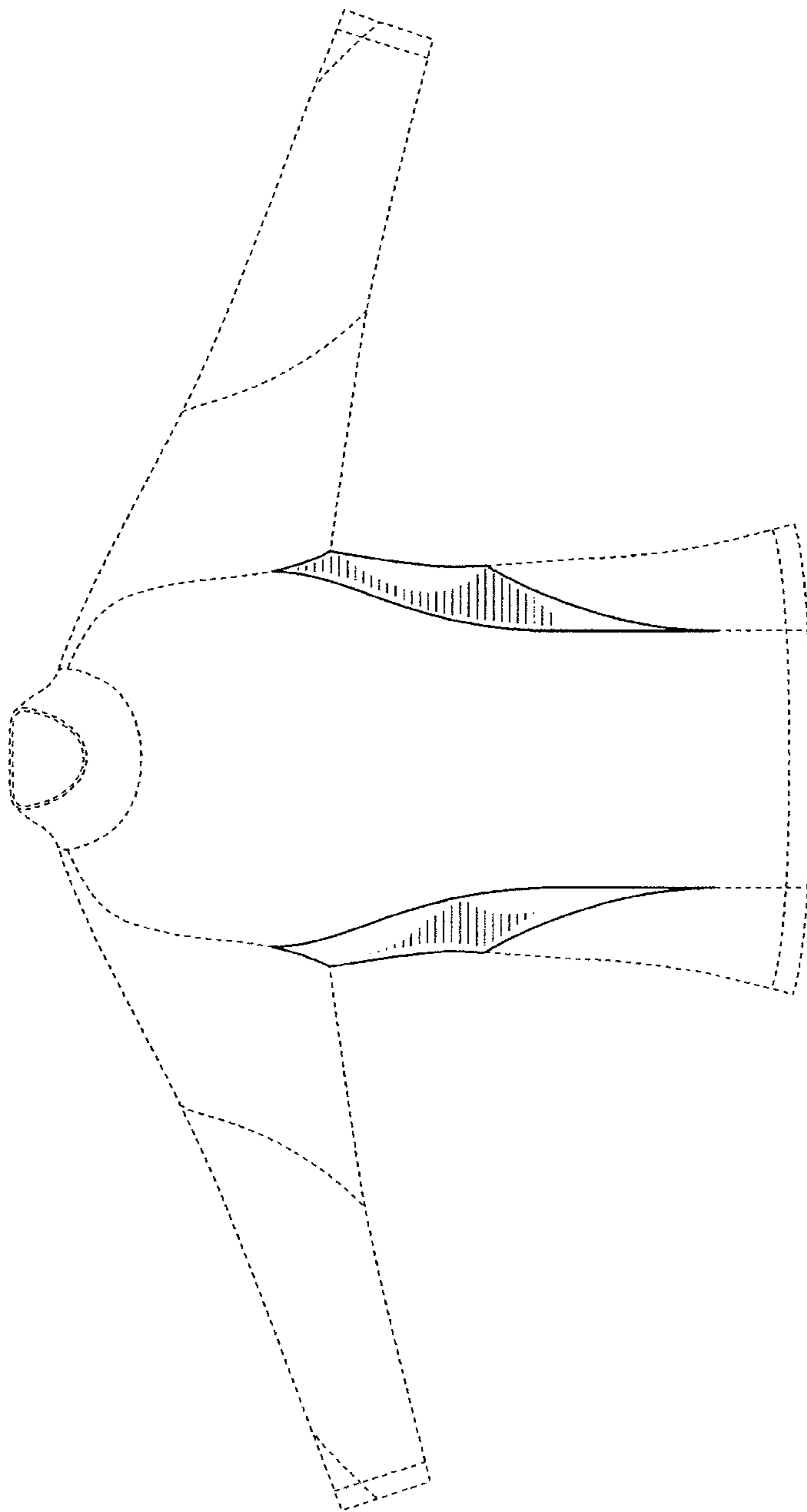


FIG.9

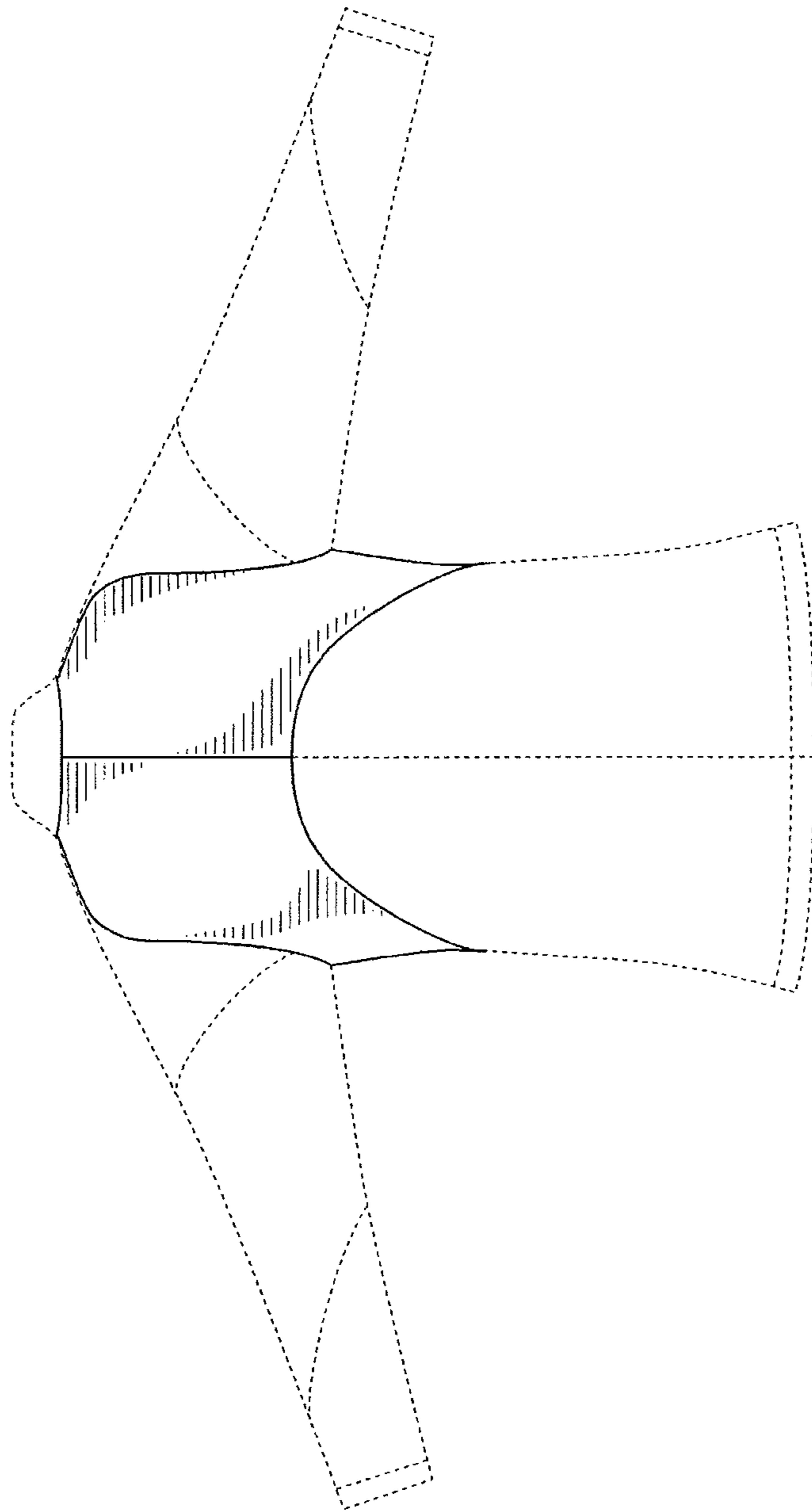


FIG.10