



US00D694985S

(12) **United States Design Patent**
Grover

(10) **Patent No.:** **US D694,985 S**

(45) **Date of Patent:** **** Dec. 3, 2013**

(54) **MEMORIAL CARRIER**

(76) Inventor: **Dawson R. Grover**, Coon Rapids, MN
(US)

(**) Term: **14 Years**

(21) Appl. No.: **29/403,808**

(22) Filed: **Oct. 11, 2011**

(51) **LOC (9) Cl.** **99-00**

(52) **U.S. Cl.**
USPC **D99/8**

(58) **Field of Classification Search**
USPC D99/5, 16, 25, 8; 27/1, 18, 29, 27, 30,
27/32, 13; 248/547, 27.8, 689, 643;
24/711.5; D24/128; D8/354, 355;
D14/448, 452

See application file for complete search history.

(56) **References Cited**

U.S. PATENT DOCUMENTS

467,405	A *	1/1892	Garland	27/1
748,510	A *	12/1903	Koeper	27/1
1,514,619	A *	11/1924	Kennedy	27/1
2,135,898	A *	11/1938	Jamison	27/27
2,303,725	A *	12/1942	De Ment	160/19
2,460,652	A *	2/1949	Peterson	606/1
2,543,880	A *	3/1951	Thorp et al.	248/27.8
2,594,722	A *	4/1952	Bell	248/27.8
2,788,597	A *	4/1957	Michel	248/27.8
2,802,933	A *	8/1957	Broadwin	362/366
3,052,946	A *	9/1962	Hillenbrand	204/196.11
3,162,413	A *	12/1964	Hexdall	248/71
3,265,338	A *	8/1966	Henderson	248/27.8

3,364,536	A *	1/1968	Williams	27/1
3,718,307	A *	2/1973	Albanese	248/57
D227,439	S *	6/1973	Brothers	D8/355
5,154,375	A *	10/1992	Condon	248/73
5,678,799	A *	10/1997	Jorgensen et al.	248/343
D399,725	S *	10/1998	Baker	D8/354
6,736,277	B2 *	5/2004	Lauchner et al.	211/26
D640,123	S *	6/2011	Stearns et al.	D8/355

* cited by examiner

Primary Examiner — Paula Greene

(74) *Attorney, Agent, or Firm* — Shumaker & Sieffert, P.A.

(57) **CLAIM**

The ornamental design for the memorial carrier, as shown and described.

DESCRIPTION

FIG. 1 is a perspective view of an embodiment of the memorial carrier.

FIG. 2 is a top view of an embodiment of the memorial carrier.
FIG. 3 is a bottom view of an embodiment of the memorial carrier.

FIG. 4 is a side view of an embodiment of the memorial carrier.

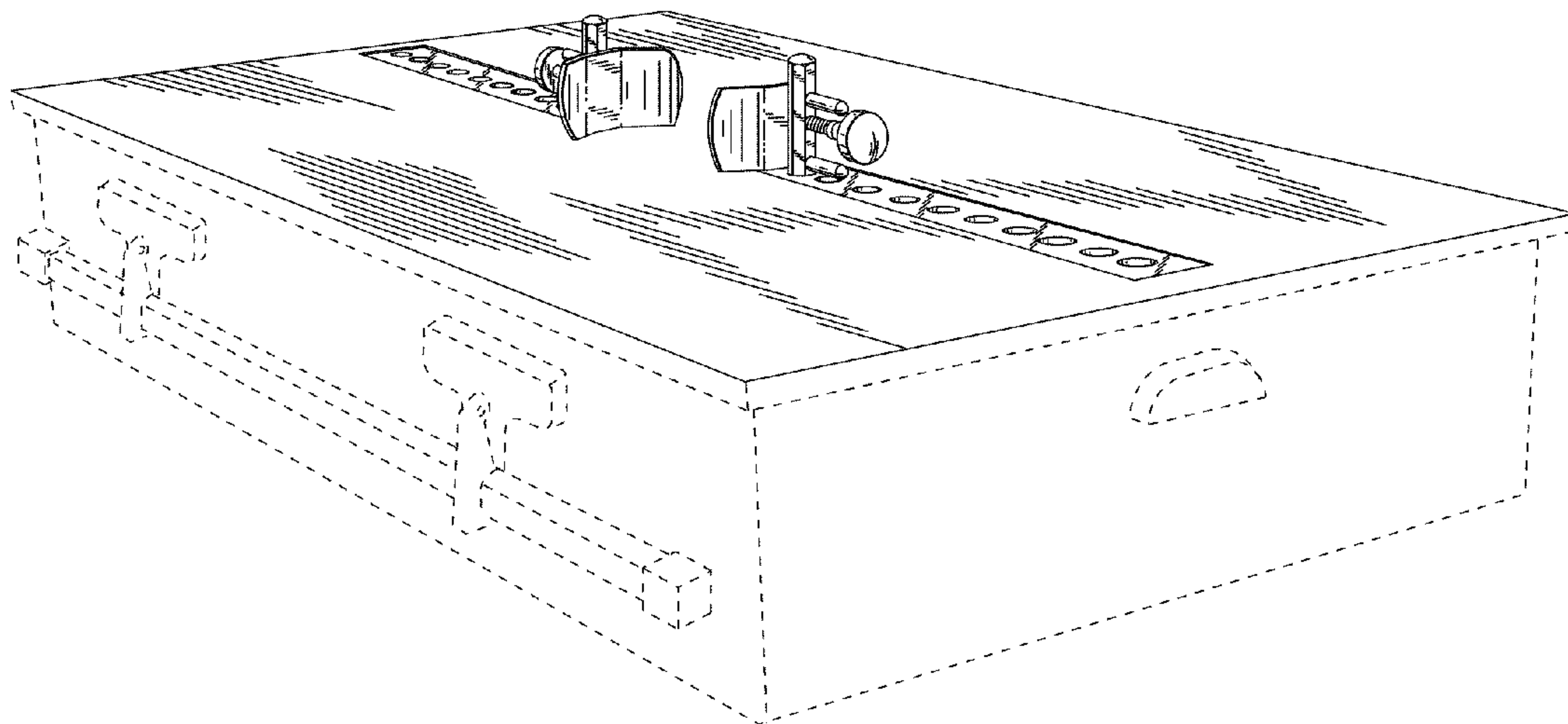
FIG. 5 is an end view of an embodiment of the memorial carrier.

FIG. 6 is a view of a side, opposite to the side shown in FIG. 4, of an embodiment of the memorial carrier; and,

FIG. 7 is a view of an end, opposite to the end shown in FIG. 5, of an embodiment of the memorial carrier.

The broken lines form no part of the claimed design.

1 Claim, 7 Drawing Sheets



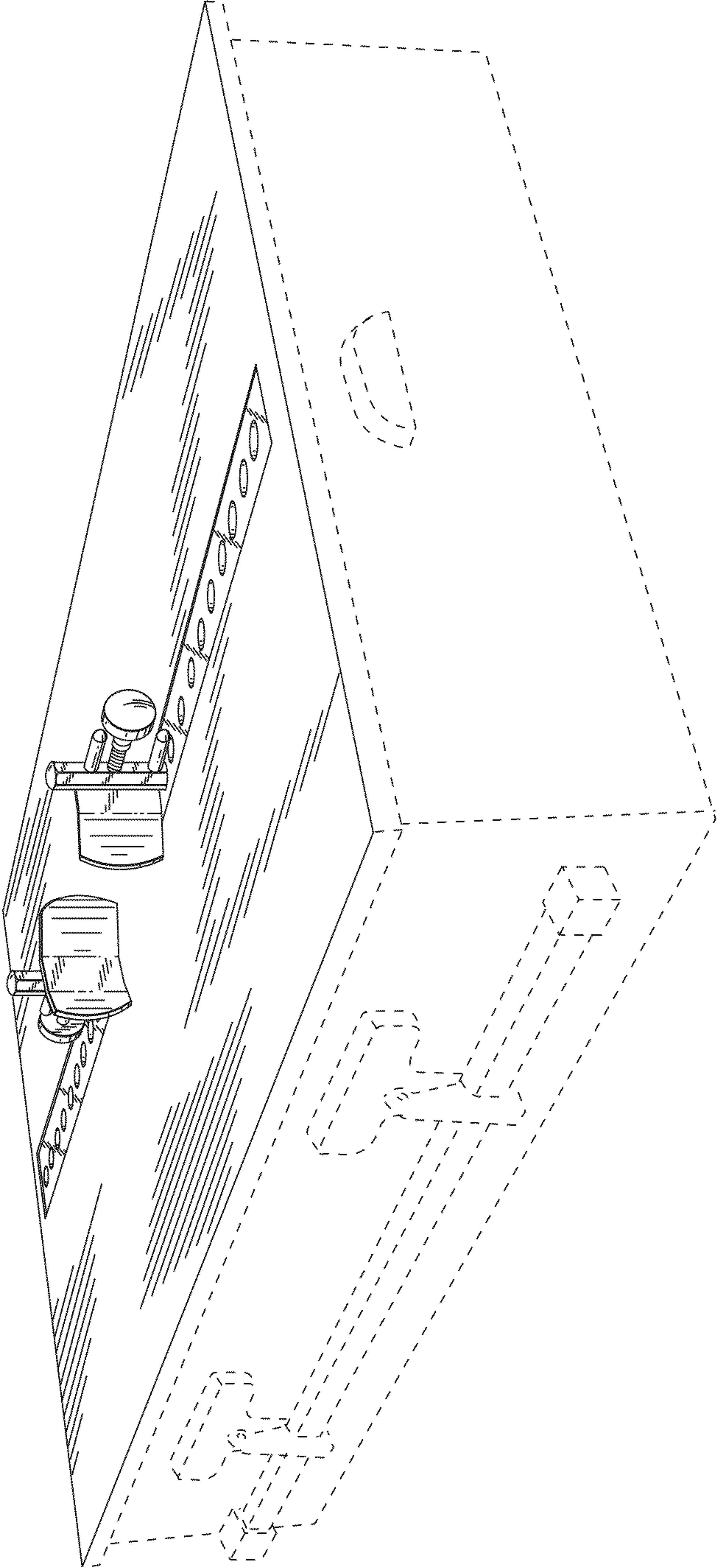


Fig. 1

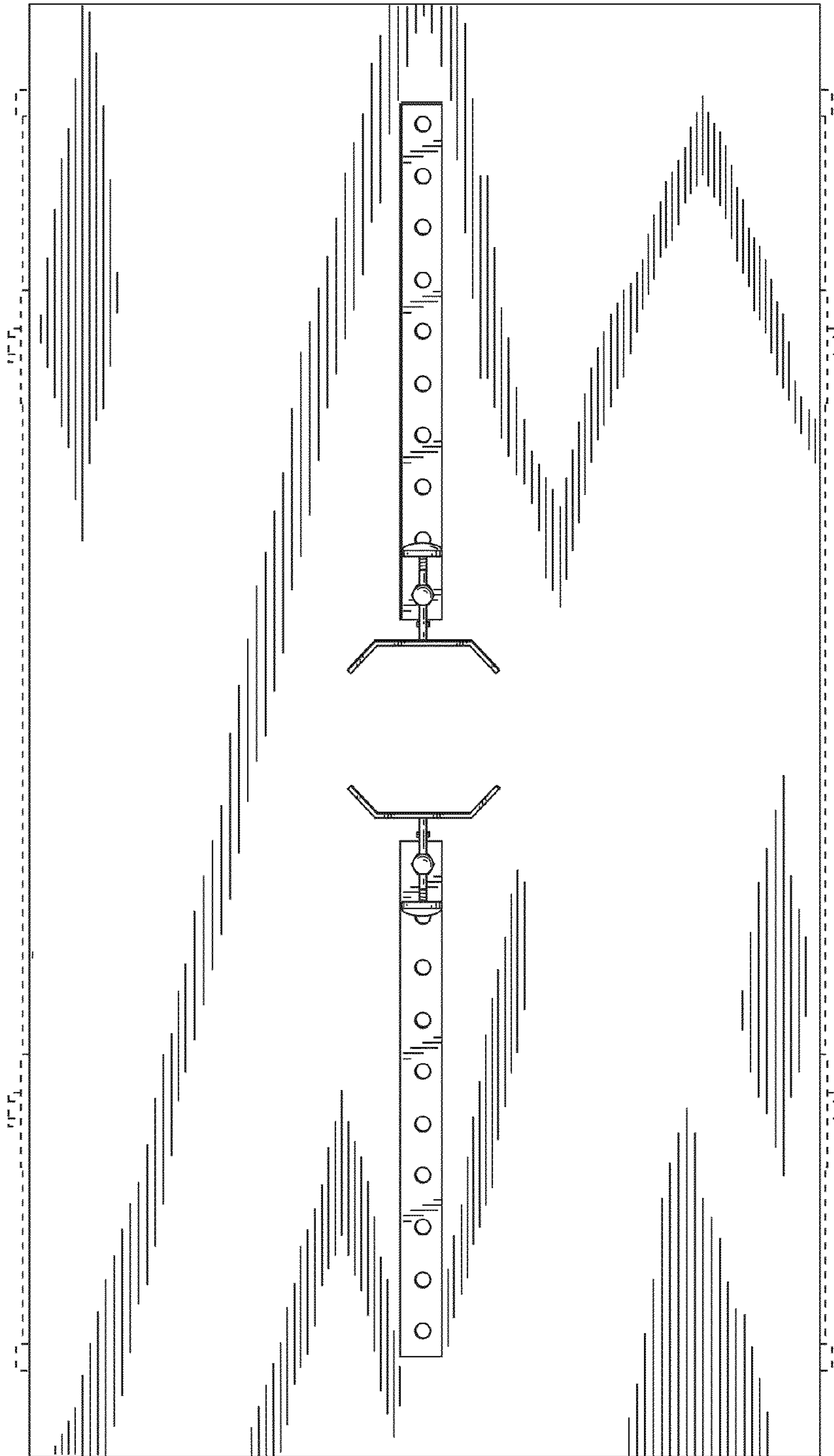


Fig. 2

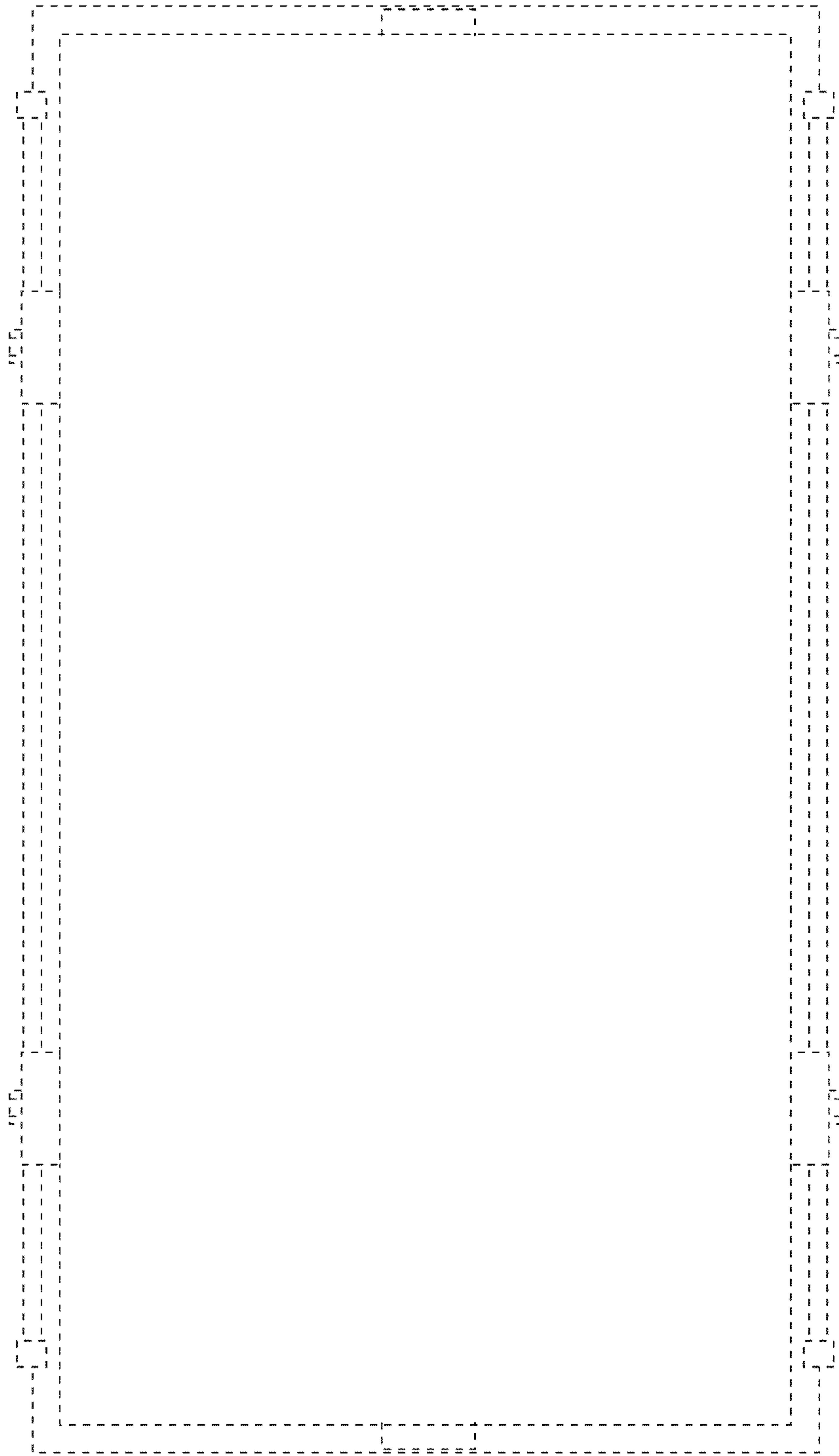


Fig. 3

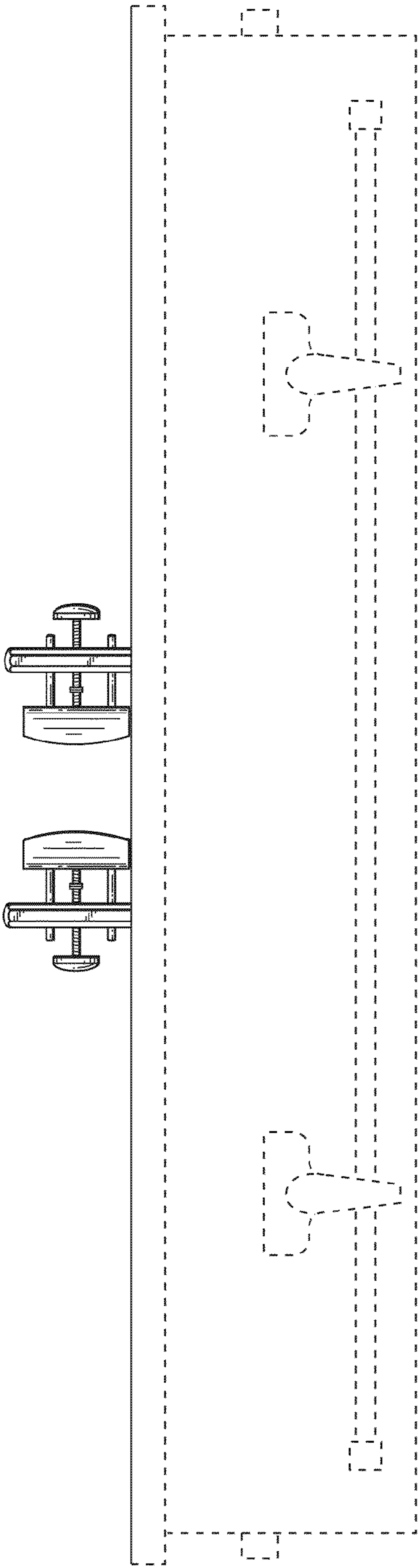


Fig. 4

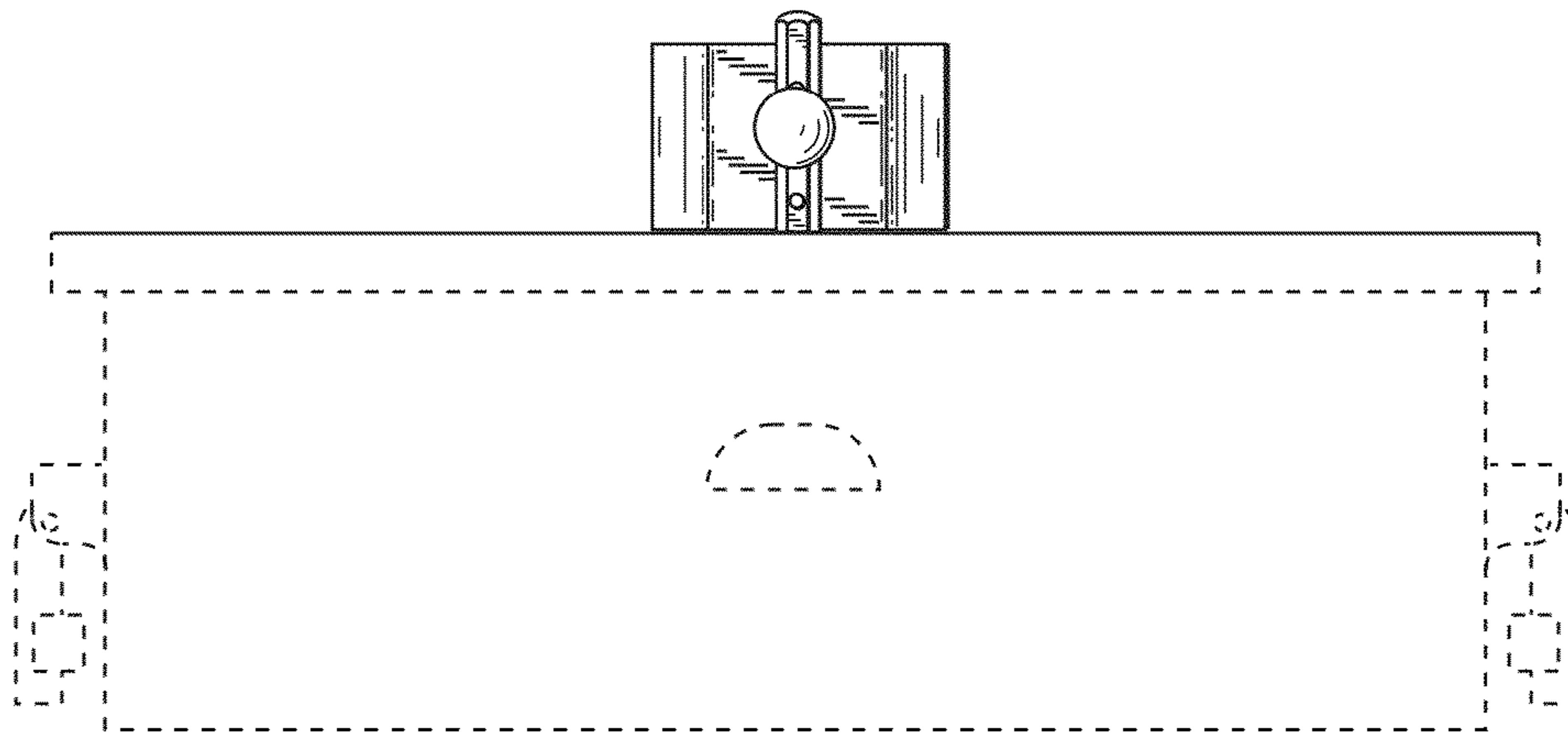


Fig. 5

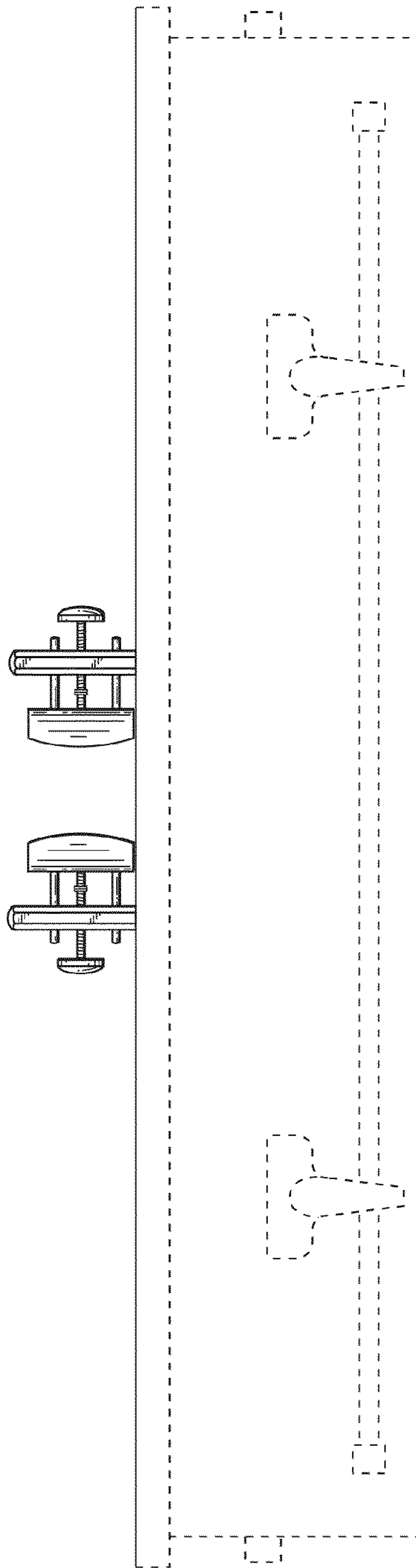


Fig. 6

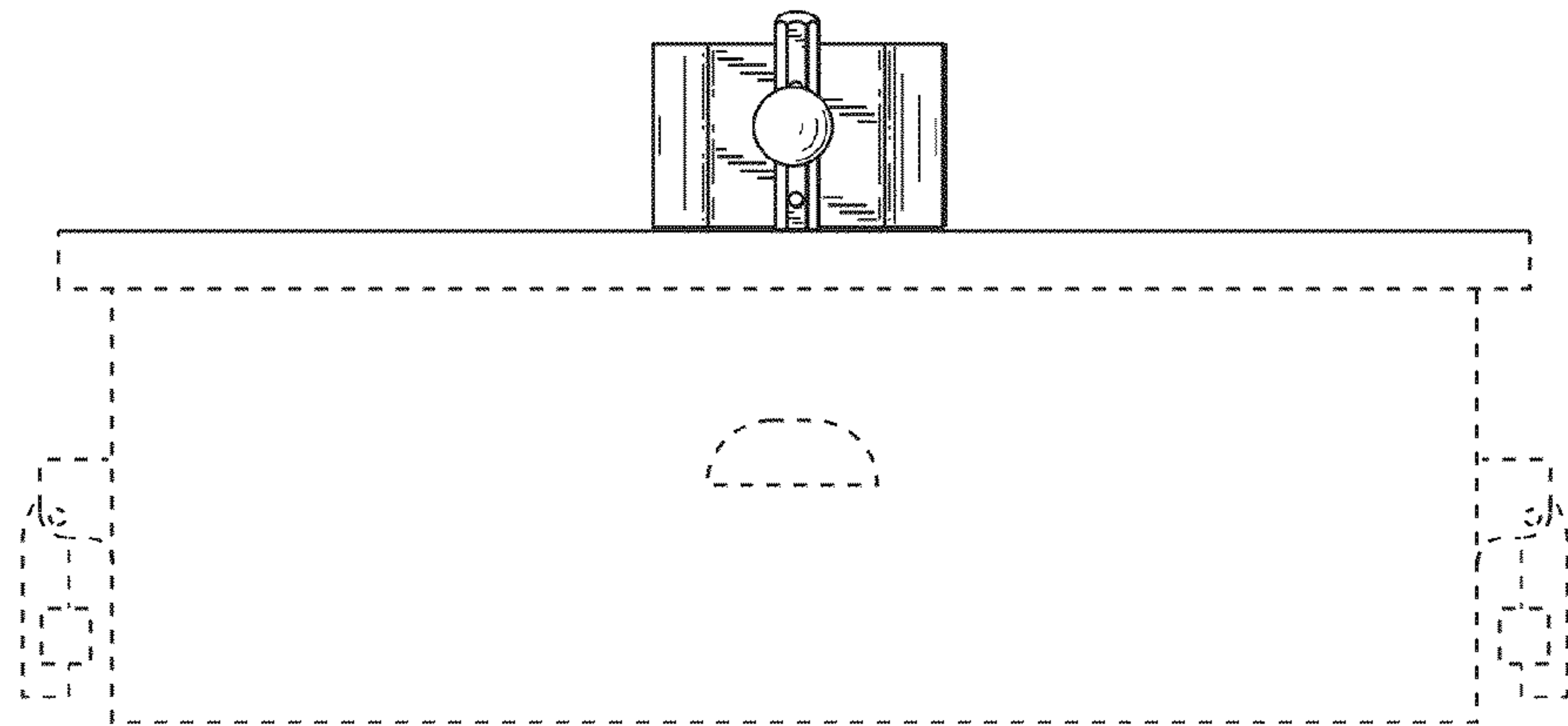


Fig. 7