



US00D694983S

(12) **United States Design Patent**
Lederhause et al.

(10) **Patent No.:** **US D694,983 S**

(45) **Date of Patent:** **** Dec. 3, 2013**

(54) **WHEELCHAIR LIFT**

(75) Inventors: **Joel Lederhause**, West Bend, WI (US);
Robert Krolski, West Bend, WI (US)

(73) Assignee: **Discount Ramps.com, LLC**, West Bend,
WI (US)

(**) Term: **14 Years**

(21) Appl. No.: **29/430,593**

(22) Filed: **Aug. 28, 2012**

(51) **LOC (9) Cl.** **12-05**

(52) **U.S. Cl.**
USPC **D34/28**

(58) **Field of Classification Search**
USPC D34/28, 35; 414/462, 537, 539, 540,
414/541, 678, 921; D12/406, 408; 187/200,
187/17, 8.43; 254/9 C, 9 B, 122, 2 B, 90
See application file for complete search history.

(56) **References Cited**

U.S. PATENT DOCUMENTS

D307,813	S *	5/1990	Isogai	D34/28
6,729,827	B1 *	5/2004	Williams et al.	414/462
6,887,027	B2 *	5/2005	O'Leary et al.	414/462
D619,324	S *	7/2010	DiGiovanni et al.	D34/28
7,811,045	B2 *	10/2010	Butta	414/462
D672,523	S *	12/2012	Taylor et al.	D34/28
2003/0113196	A1 *	6/2003	O'Leary et al.	414/462
2003/0165376	A1 *	9/2003	Bruno et al.	414/462
2008/0317569	A1 *	12/2008	Baer	414/462
2010/0124477	A1 *	5/2010	Wang	414/462
2012/0308351	A1 *	12/2012	Digiovanni et al.	414/462

* cited by examiner

Primary Examiner — Cynthia Ramirez

(74) *Attorney, Agent, or Firm* — Andrus, Scales, Starke &
Sawall, LLP

(57) **CLAIM**

The ornamental design for a wheelchair lift, as shown and described.

DESCRIPTION

FIG. 1 is a perspective view of an embodiment of the new design of a wheelchair lift.

FIG. 2 is a front view of an embodiment of the new design of a wheelchair lift.

FIG. 3 is a rear view of the embodiment of the new design of a wheelchair lift.

FIG. 4 is a left side view of an embodiment of the new design of a wheelchair lift.

FIG. 5 is a right side view of an embodiment of the new design of a wheelchair lift.

FIG. 6 is a top view of an embodiment of the new design of a wheelchair lift.

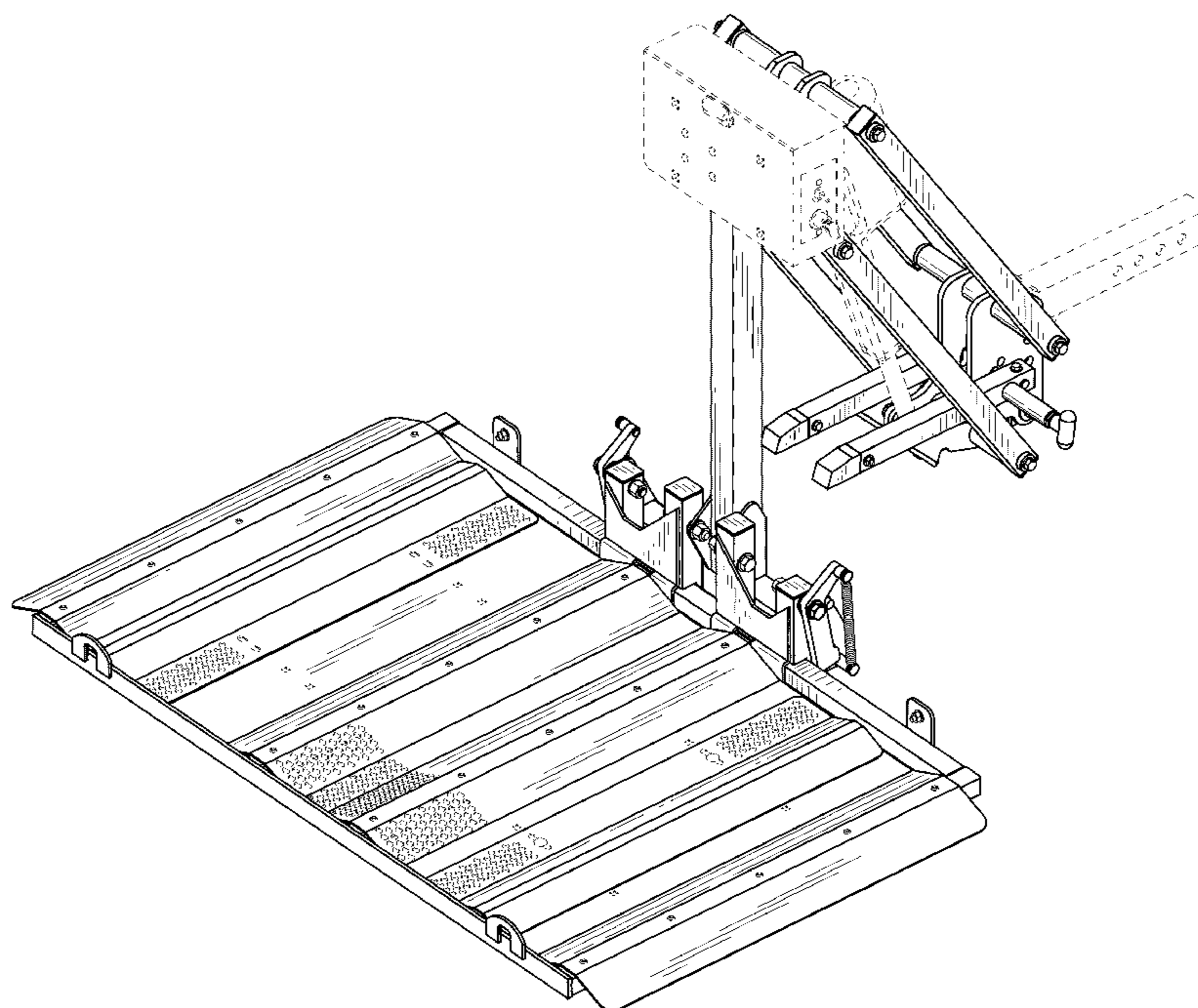
FIG. 7 is a bottom view of an embodiment of the new design of a wheelchair lift; and,

FIG. 8 is a perspective view of an embodiment of the new design of a wheelchair lift in a deployed position.

The subject matter in this patent includes movable components that effectuate a transition exemplarily shown between FIGS. 1 and 8. No ornamental aspects are associated with the process or period of such transition.

The broken line showing of portions or regions, and other elements in the Figures are for the purpose of illustrating unclaimed portions and form no part of the claimed design.

1 Claim, 8 Drawing Sheets



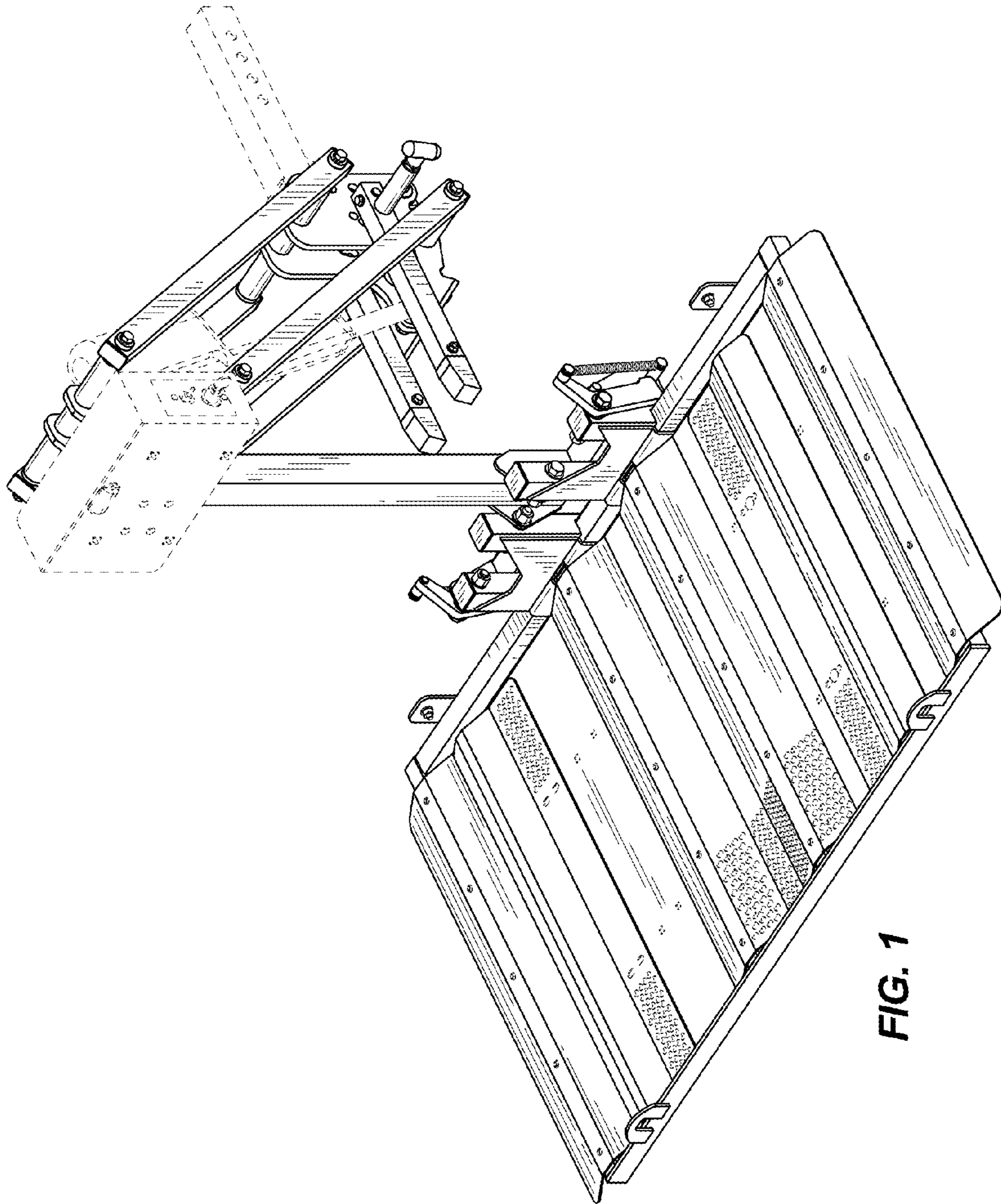


FIG. 1

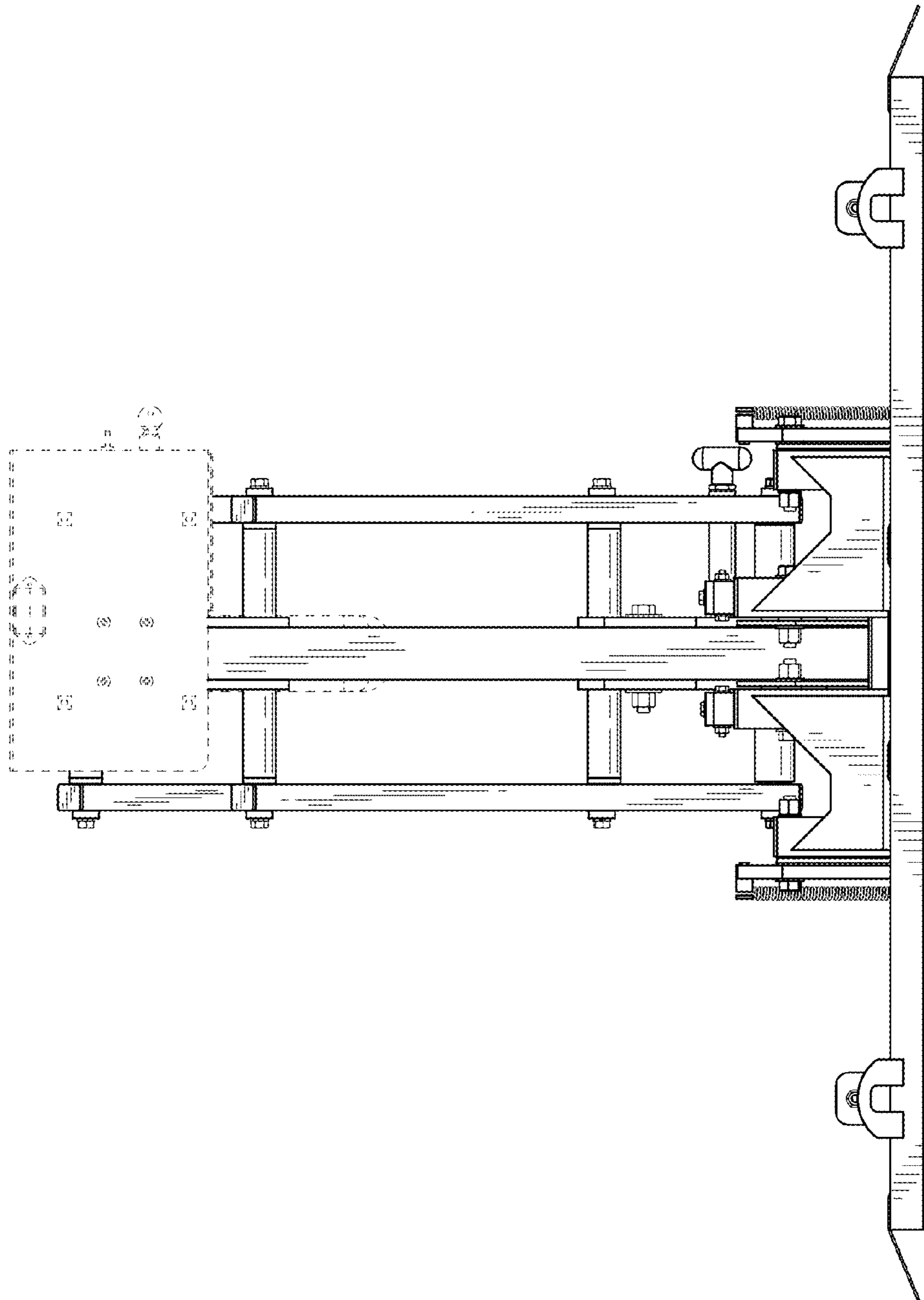


FIG. 2

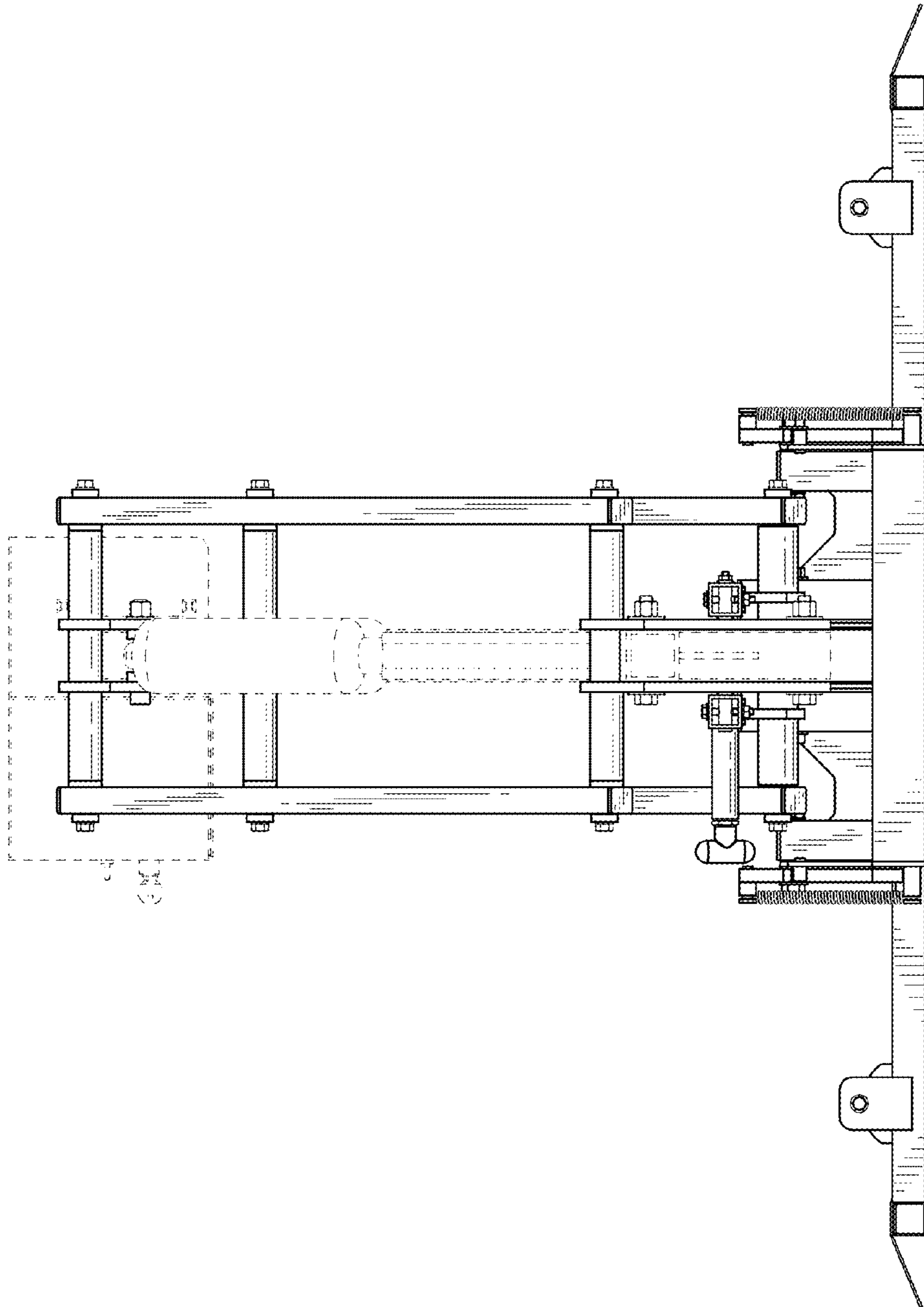


FIG. 3

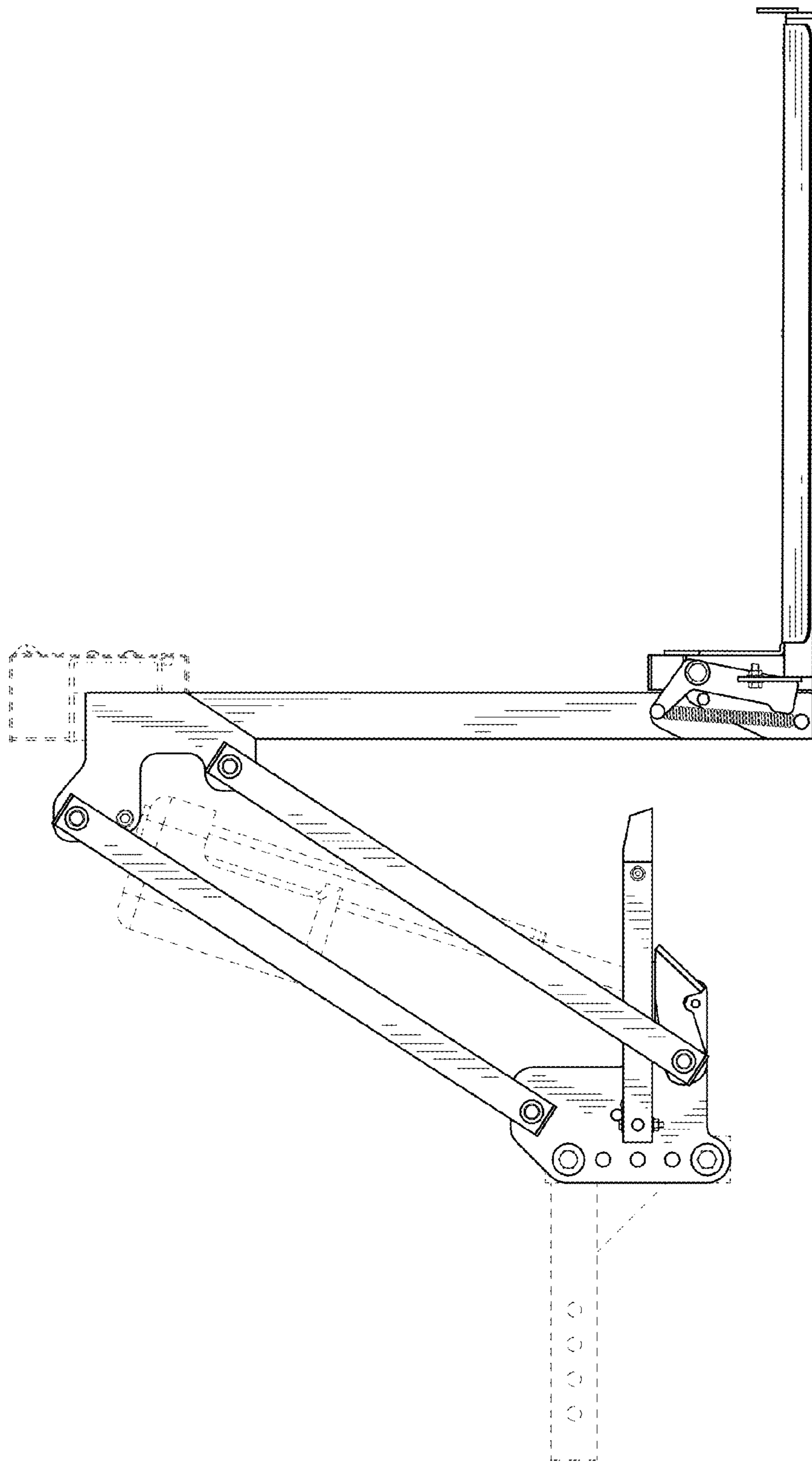


FIG. 4

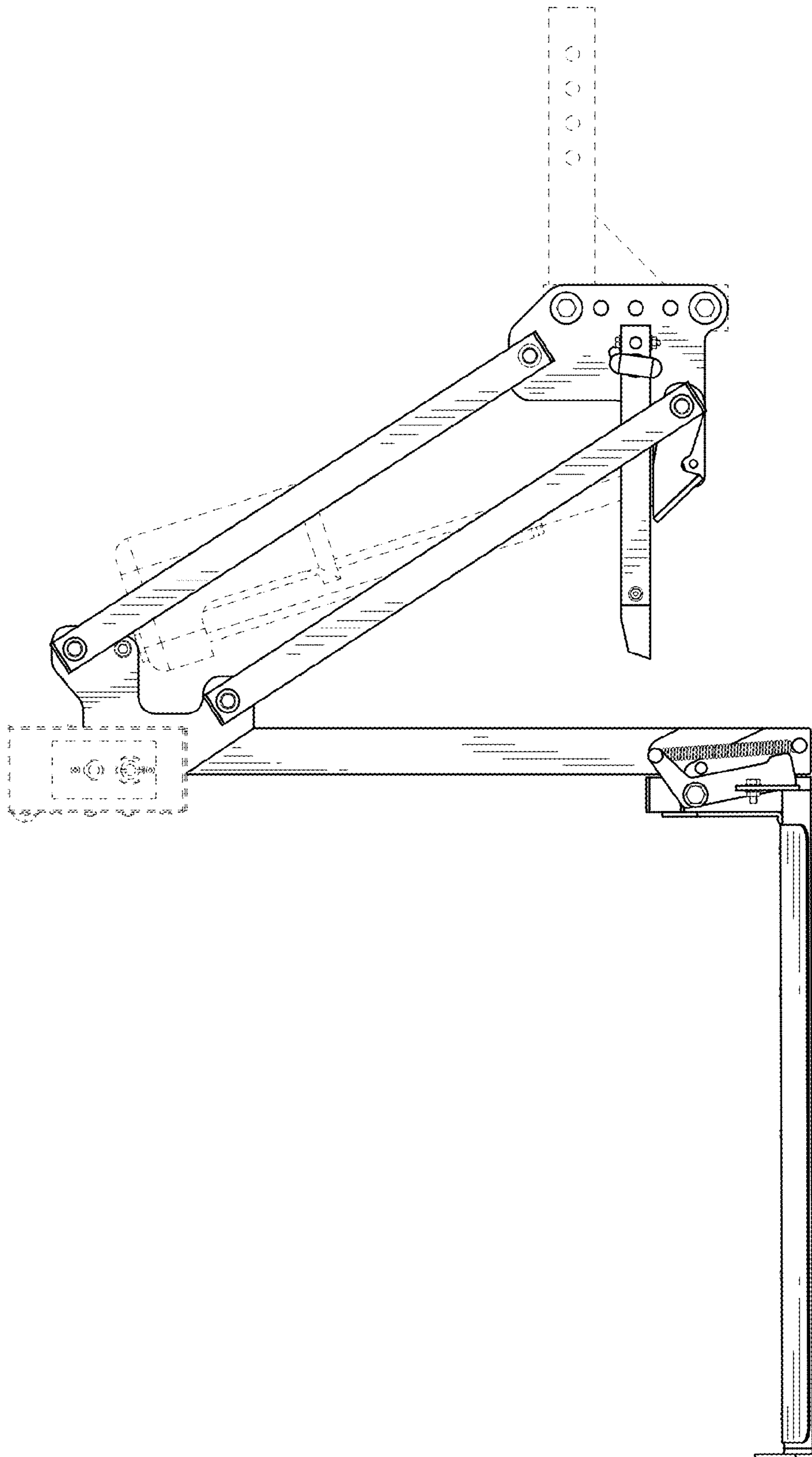


FIG. 5

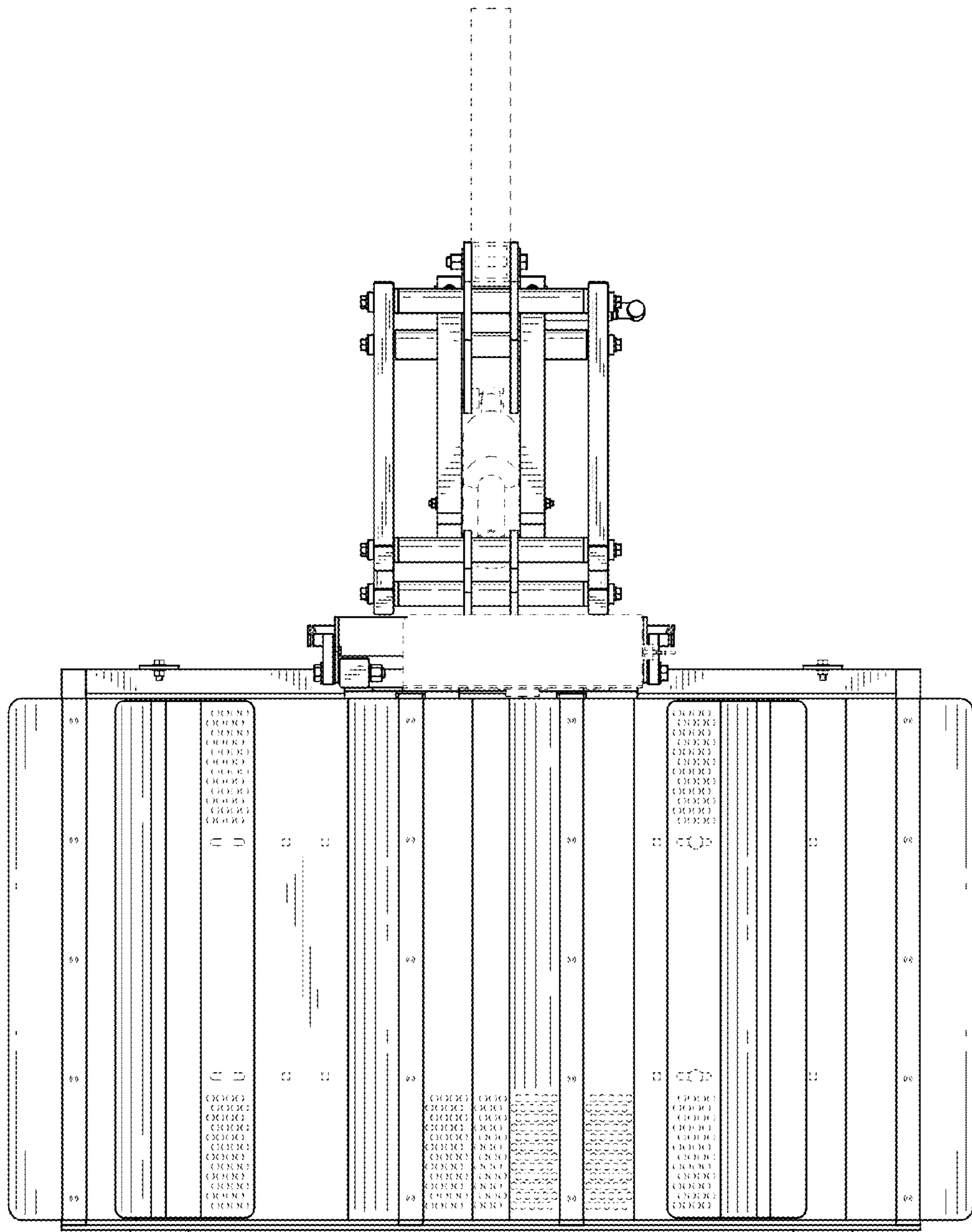


FIG. 6

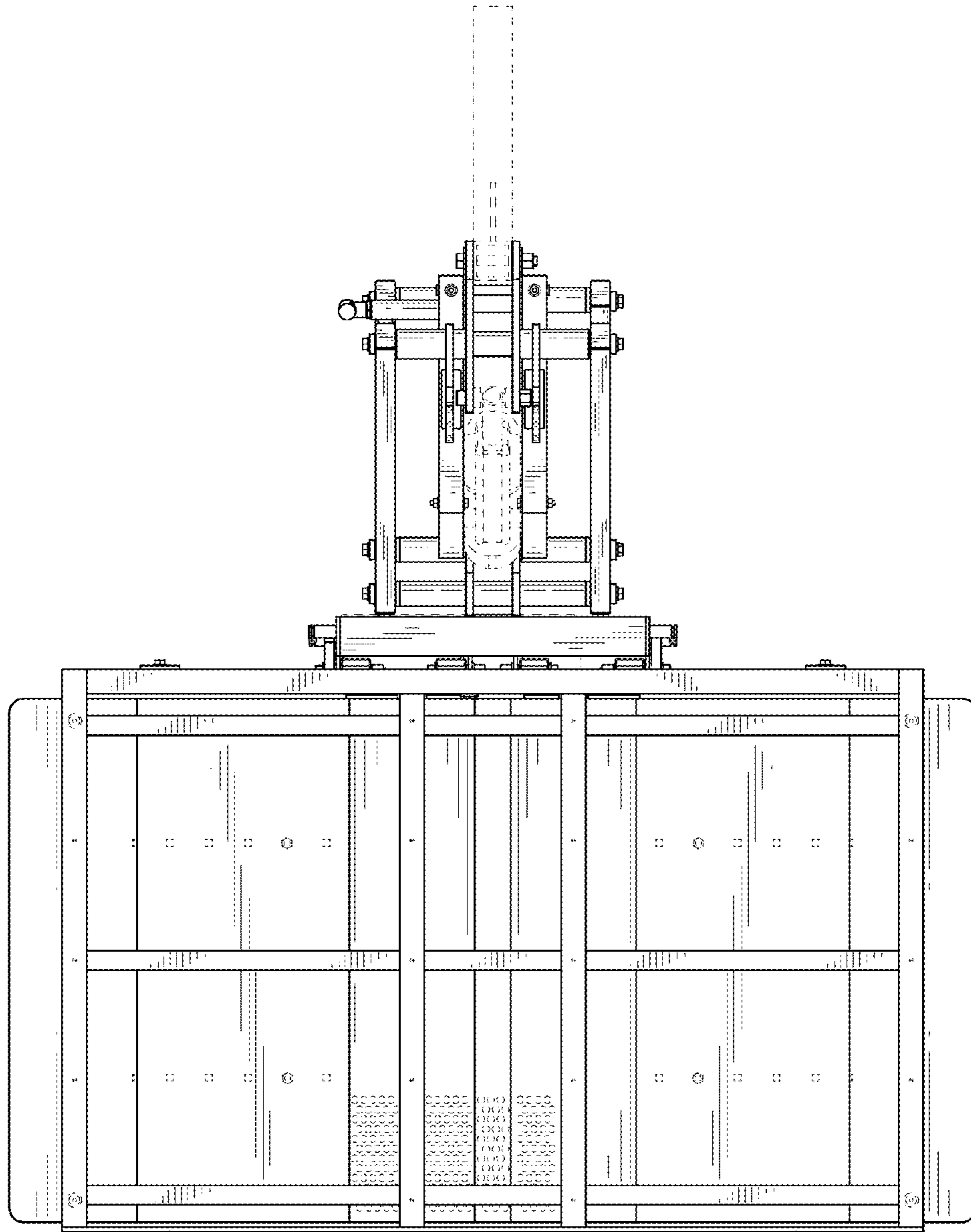


FIG. 7

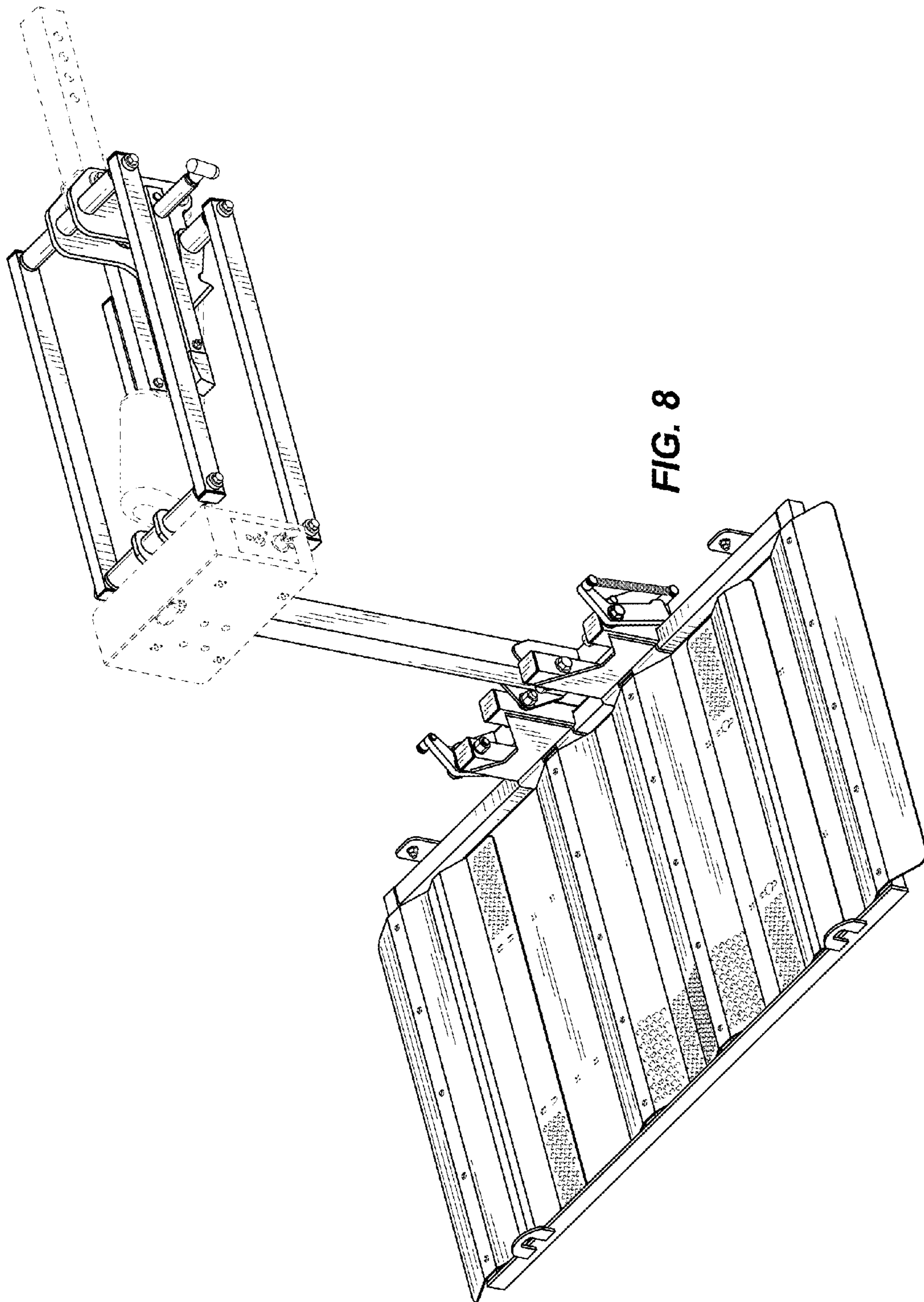


FIG. 8