



US00D694980S

(12) **United States Design Patent**  
**Libman**

(10) **Patent No.:** **US D694,980 S**

(45) **Date of Patent:** **\*\* Dec. 3, 2013**

(54) **WRINGER**

(71) Applicant: **The Libman Company**, Arcola, IL (US)

(72) Inventor: **Robert J. Libman**, Arcola, IL (US)

(73) Assignee: **The Libman Company**, Arcola, IL (US)

(\*\*) Term: **14 Years**

(21) Appl. No.: **29/447,254**

(22) Filed: **Mar. 1, 2013**

(51) **LOC (9) Cl.** ..... **07-07**

(52) **U.S. Cl.**  
USPC ..... **D32/54**

(58) **Field of Classification Search**  
USPC ..... D32/53, 53.1, 54; 15/260-264, 257.06,  
15/119.1, 120.1; 220/570, 518, 904  
See application file for complete search history.

(56) **References Cited**

**U.S. PATENT DOCUMENTS**

2,508,947 A \* 5/1950 Hoke ..... 248/300  
D164,340 S \* 8/1951 Wegelin ..... D32/54

2,567,708 A \* 9/1951 Recksiek ..... 15/263  
D215,179 S \* 9/1969 Pudelko et al. .... D32/54  
D383,270 S 9/1997 Weihrauch  
D410,310 S 5/1999 Haley et al.  
D427,738 S 7/2000 McRorie, III et al.  
D464,778 S 10/2002 Susek  
D523,199 S 6/2006 Libman et al.  
8,122,561 B2 \* 2/2012 Dingert et al. .... 15/260  
D683,095 S \* 5/2013 Vasilakes et al. .... D32/53

\* cited by examiner

*Primary Examiner* — Robin V Webster

(74) *Attorney, Agent, or Firm* — Banner & Witcoff, Ltd.

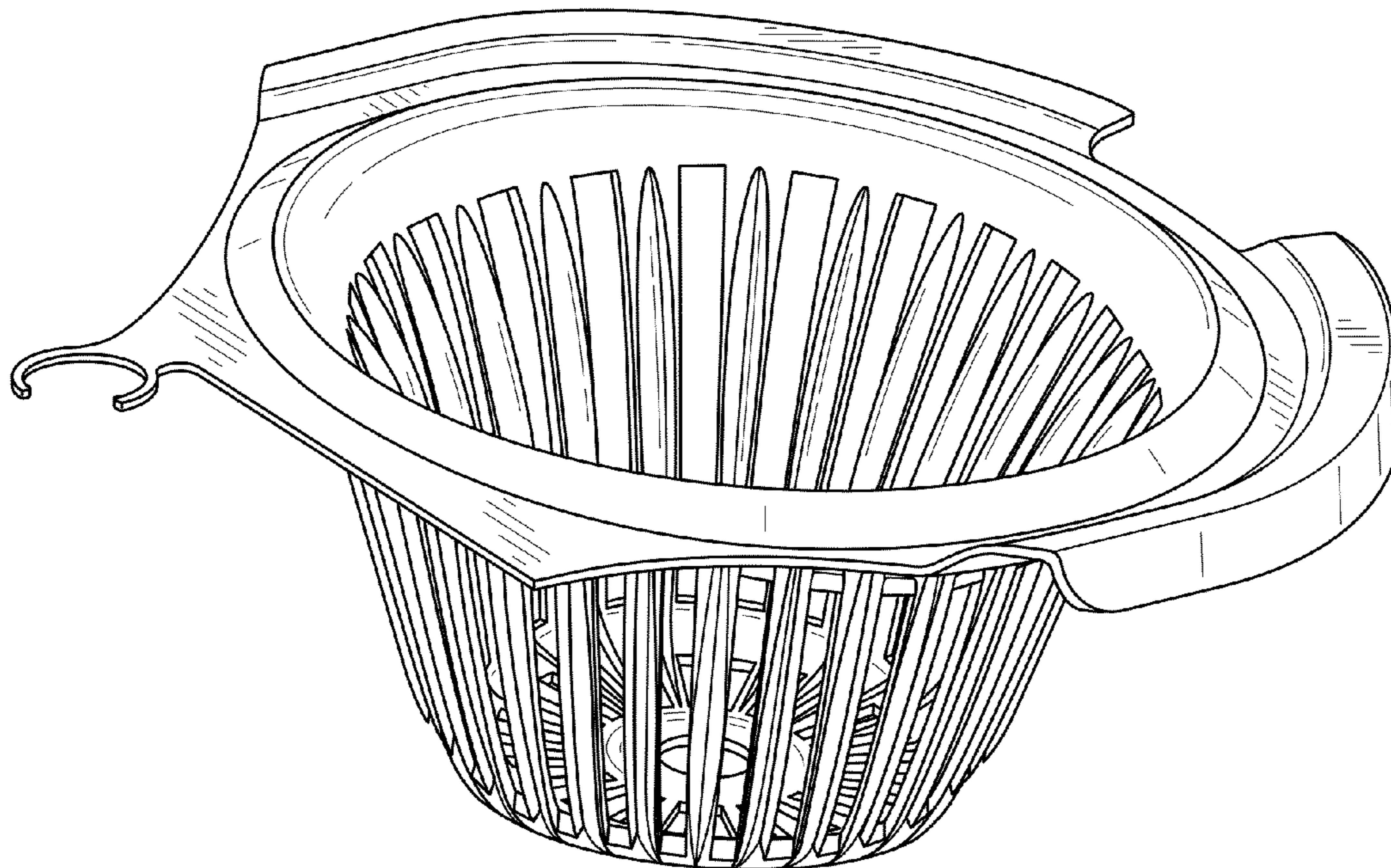
(57) **CLAIM**

The ornamental design for a wringer, as shown and described.

**DESCRIPTION**

FIG. 1 is a top, front, right perspective view of a wringer showing my new design;  
FIG. 2 is a top view thereof;  
FIG. 3 is a front view thereof;  
FIG. 4 is a right side view thereof;  
FIG. 5 is a rear view thereof; and,  
FIG. 6 is a left side view thereof.

**1 Claim, 6 Drawing Sheets**



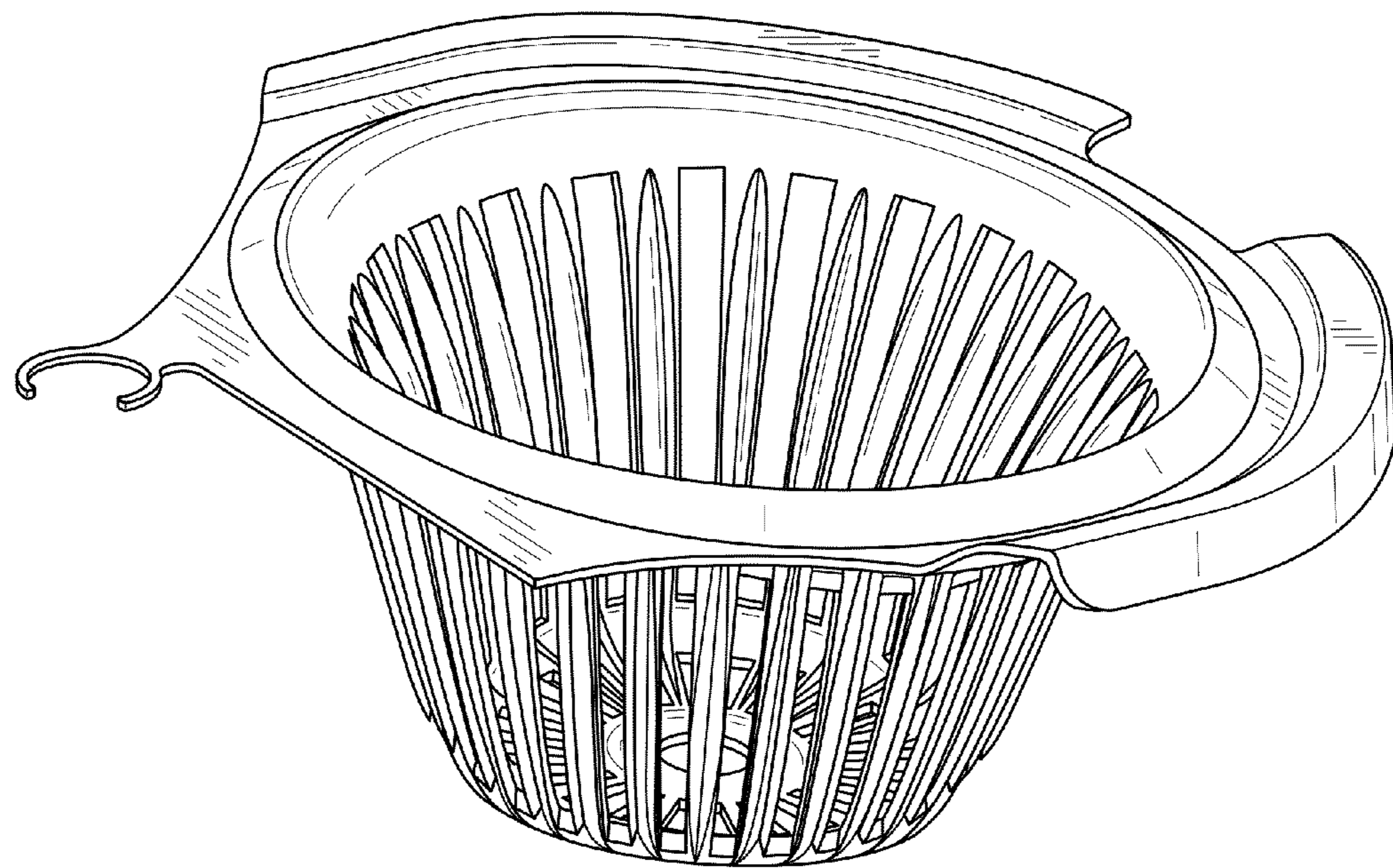


FIG. 1

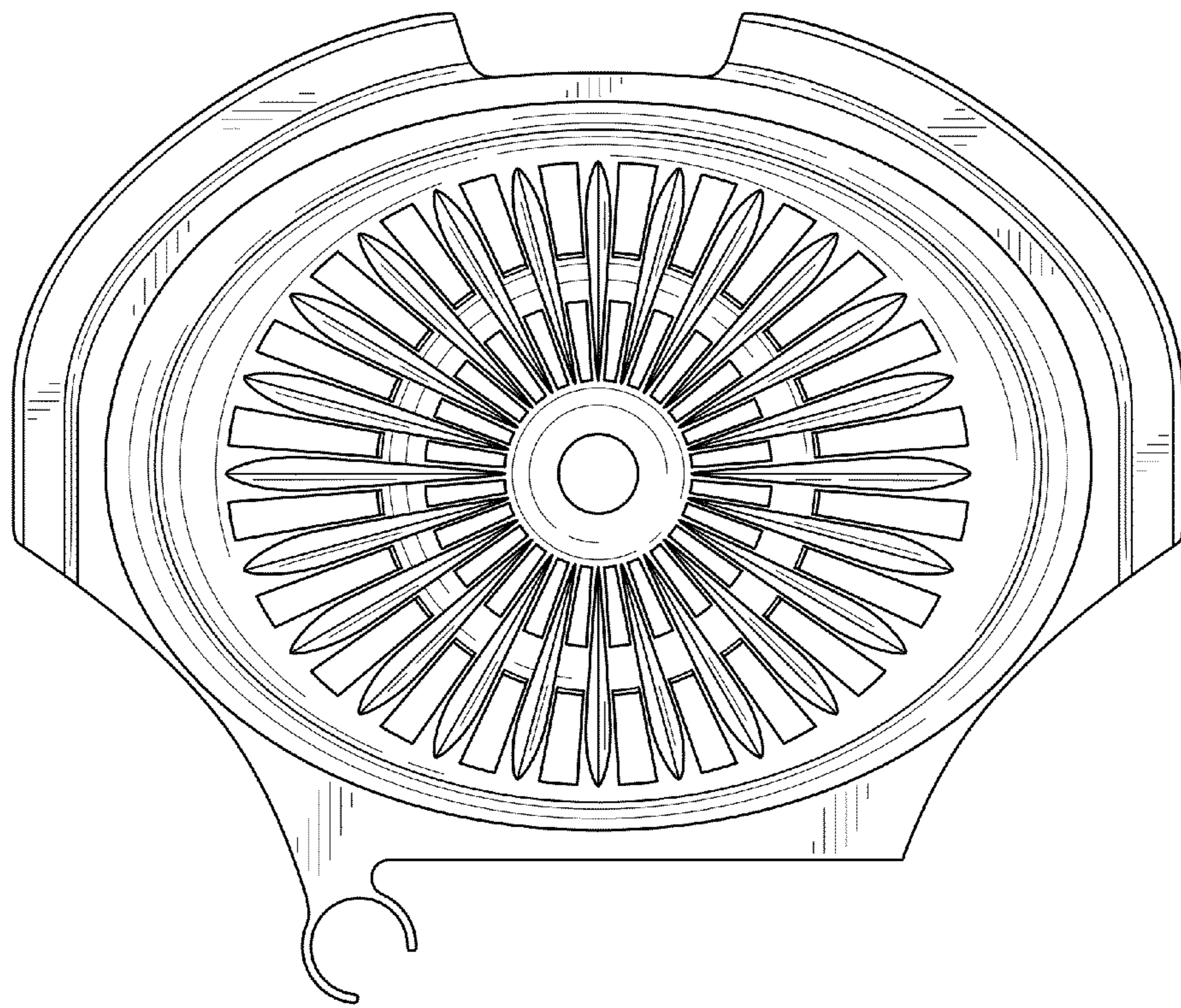


FIG. 2

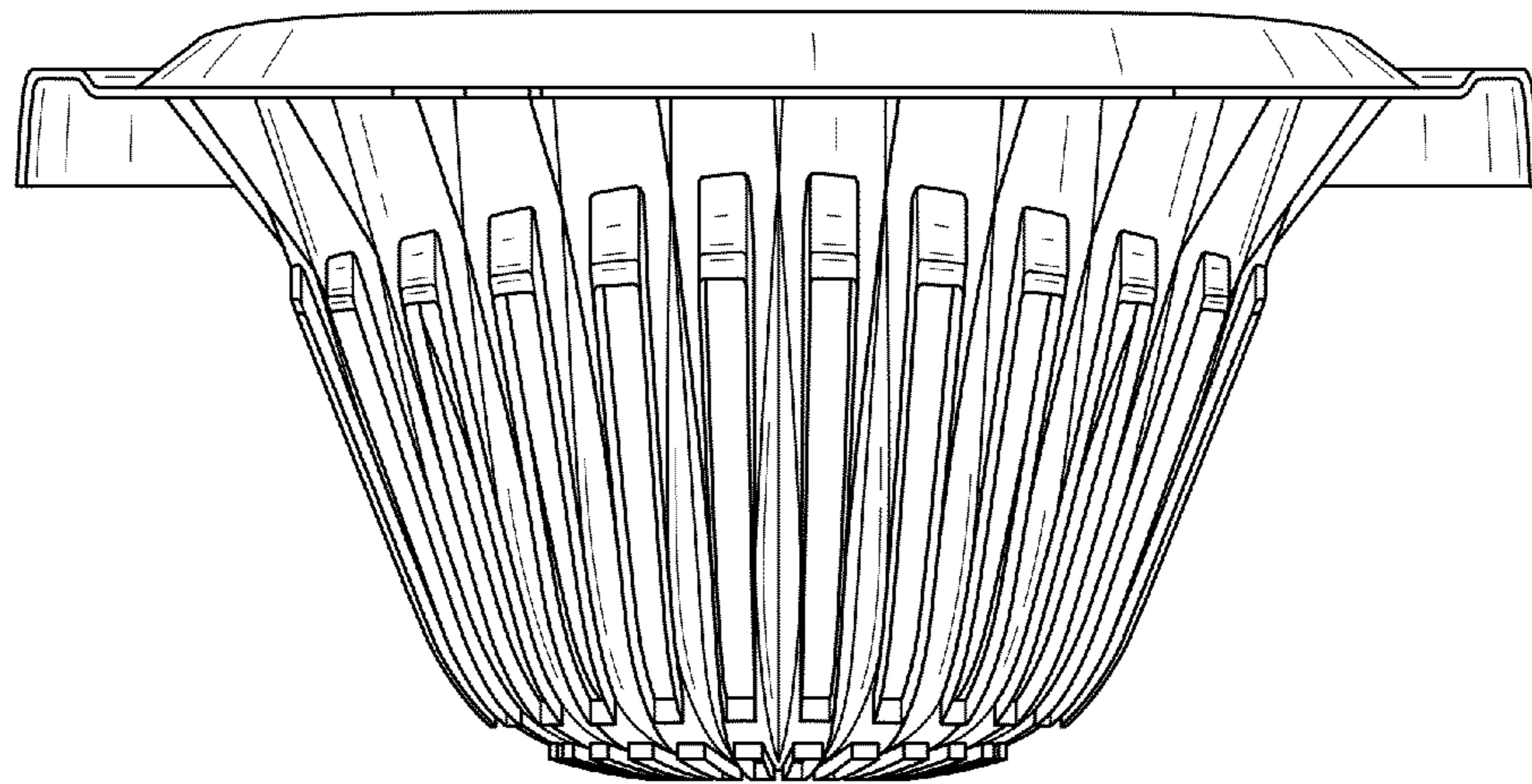


FIG. 3

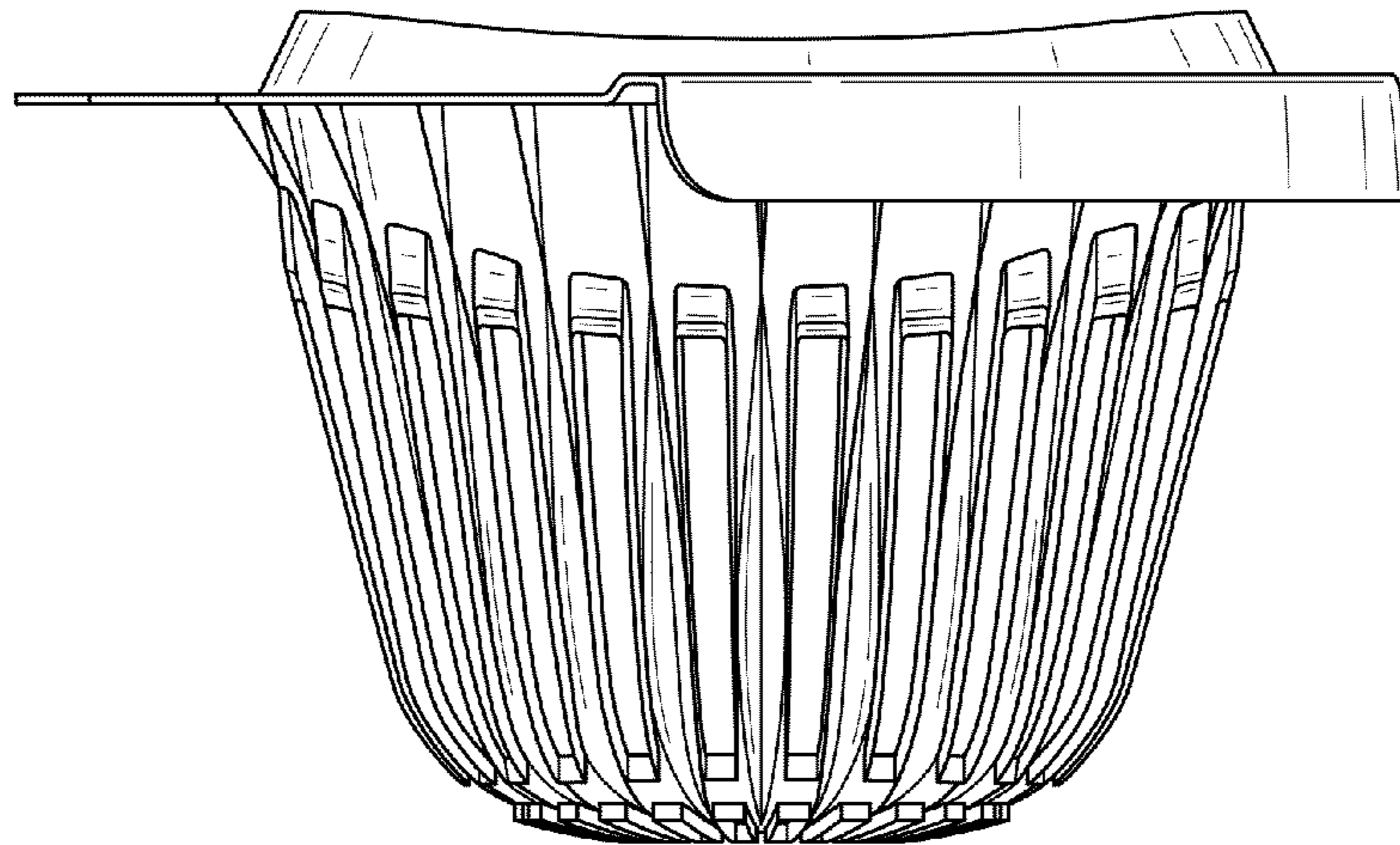


FIG. 4

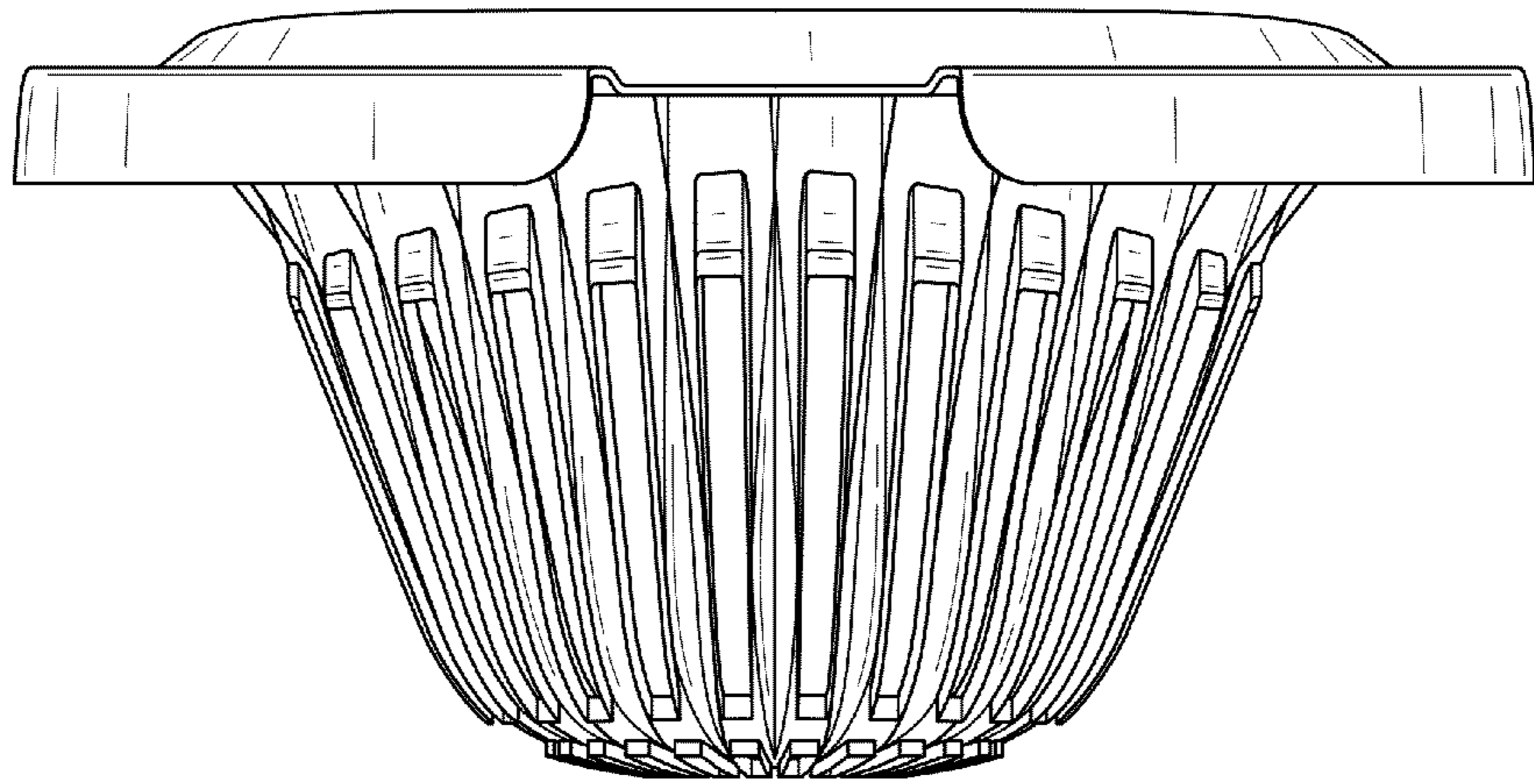


FIG. 5

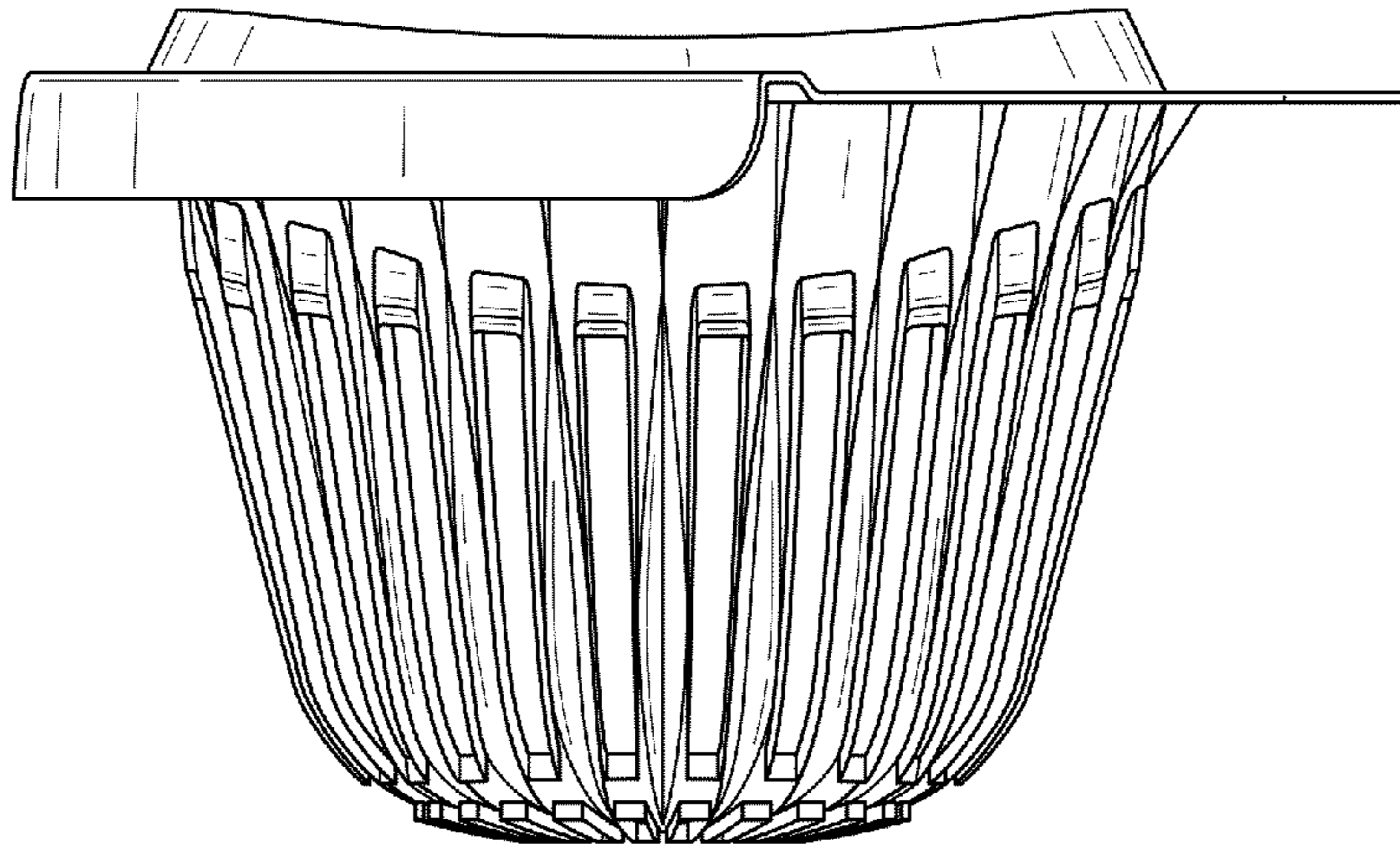


FIG. 6