

US00D694979S

(12) **United States Design Patent**
Lambertson, Jr. et al.

(10) **Patent No.:** **US D694,979 S**
(45) **Date of Patent:** **** Dec. 3, 2013**

(54) **ROLL-OFF PORTION OF A BUCKET**

(75) Inventors: **Michael C. Lambertson, Jr.**, Aurora, OH (US); **Roberto Berritta**, Venice (IT)

(73) Assignee: **The Sherwin-Williams Company**, Cleveland, OH (US)

(**) Term: **14 Years**

(21) Appl. No.: **29/431,678**

(22) Filed: **Sep. 10, 2012**

(51) **LOC (9) Cl.** **07-07**

(52) **U.S. Cl.**
USPC **D32/54**

(58) **Field of Classification Search**
USPC D32/53, 53.1, 54; 15/260-264, 257.06; 220/570, 518, 904
See application file for complete search history.

(56) **References Cited**

U.S. PATENT DOCUMENTS

D202,134 S *	8/1965	Bryan	D32/53.1
3,493,988 A	2/1970	Tidwell		
4,145,789 A	3/1979	Morgan, Sr.		
D264,147 S	5/1982	Heath		
D303,304 S *	9/1989	Sabatino	D32/53.1
4,865,282 A	9/1989	Yonkman et al.		
D319,518 S	8/1991	Abel		
5,283,928 A	2/1994	Linn et al.		
5,316,137 A	5/1994	Kyllonen		
D355,287 S	2/1995	Camp, Jr.		
5,404,611 A	4/1995	Raney		
5,472,111 A	12/1995	Renfrew		
5,493,751 A *	2/1996	Misiukowicz et al.	15/257.06
5,511,279 A	4/1996	Ippolito		
5,546,628 A	8/1996	Silvera		
5,727,708 A	3/1998	Erickson		
6,119,303 A	9/2000	Passafiume		
6,145,158 A *	11/2000	Wakat et al.	15/257.06

6,199,718 B1	3/2001	Ellis		
D461,288 S	8/2002	Tennant		
6,434,782 B2	8/2002	Wakat et al.		
6,622,340 B2 *	9/2003	Rosa	15/257.06
6,996,872 B2	2/2006	Tennant		
7,036,182 B2 *	5/2006	Bukovitz et al.	15/257.06
7,137,168 B2	11/2006	Mann		
7,191,913 B2	3/2007	Byrne		
D546,514 S	7/2007	Byrne		
D602,220 S *	10/2009	Wallace	D32/53.1
7,621,017 B2	11/2009	Cornelissen		
7,784,145 B1	8/2010	Prokop		
D647,269 S *	10/2011	Searcy	D32/53.1
2005/0039294 A1	2/2005	Mann		
2005/0235449 A1	10/2005	Kochler		
2008/0040881 A1	2/2008	Cornelissen		
2008/0127443 A1	6/2008	Blanchard		
2009/0019659 A1	1/2009	Hill et al.		
2009/0277913 A1	11/2009	Bergman		

* cited by examiner

Primary Examiner — Robin V Webster

(74) *Attorney, Agent, or Firm* — Deron A. Cook; Robert E. McDonald; Eryn A. Fuhrer

(57) **CLAIM**

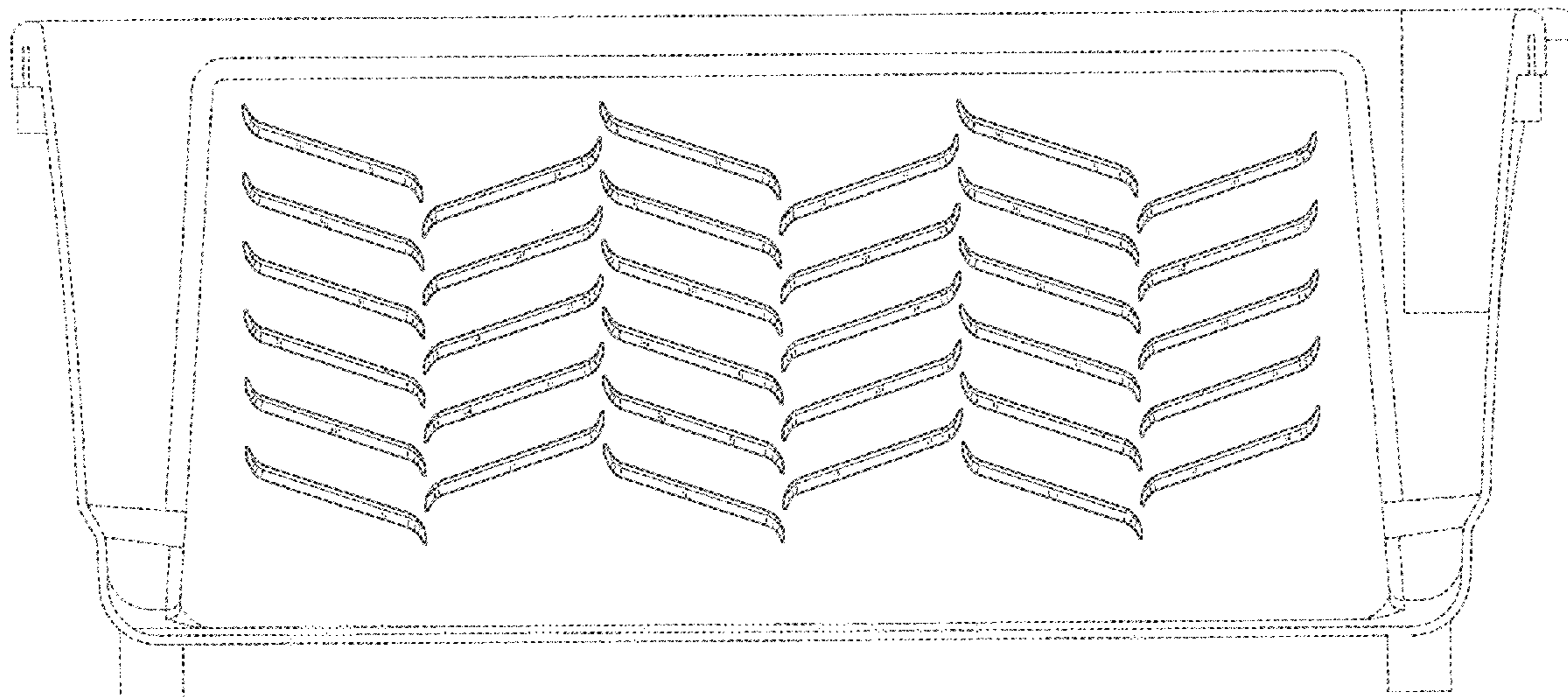
The ornamental design for the roll-off portion of a bucket, as shown and described.

DESCRIPTION

FIG. 1 is a perspective view of a roll-off portion of a bucket for paint trays, buckets and containers showing our new design; FIG. 2 is an elevation view of the roll-off portion of a bucket for paint trays, buckets and containers; and, FIG. 3 is another perspective view of the roll-off portion of a bucket for paint trays, buckets and containers.

The broken lines depicting a paint container shown in the figures are for illustrative purposes only and form no part of the claimed design.

1 Claim, 3 Drawing Sheets



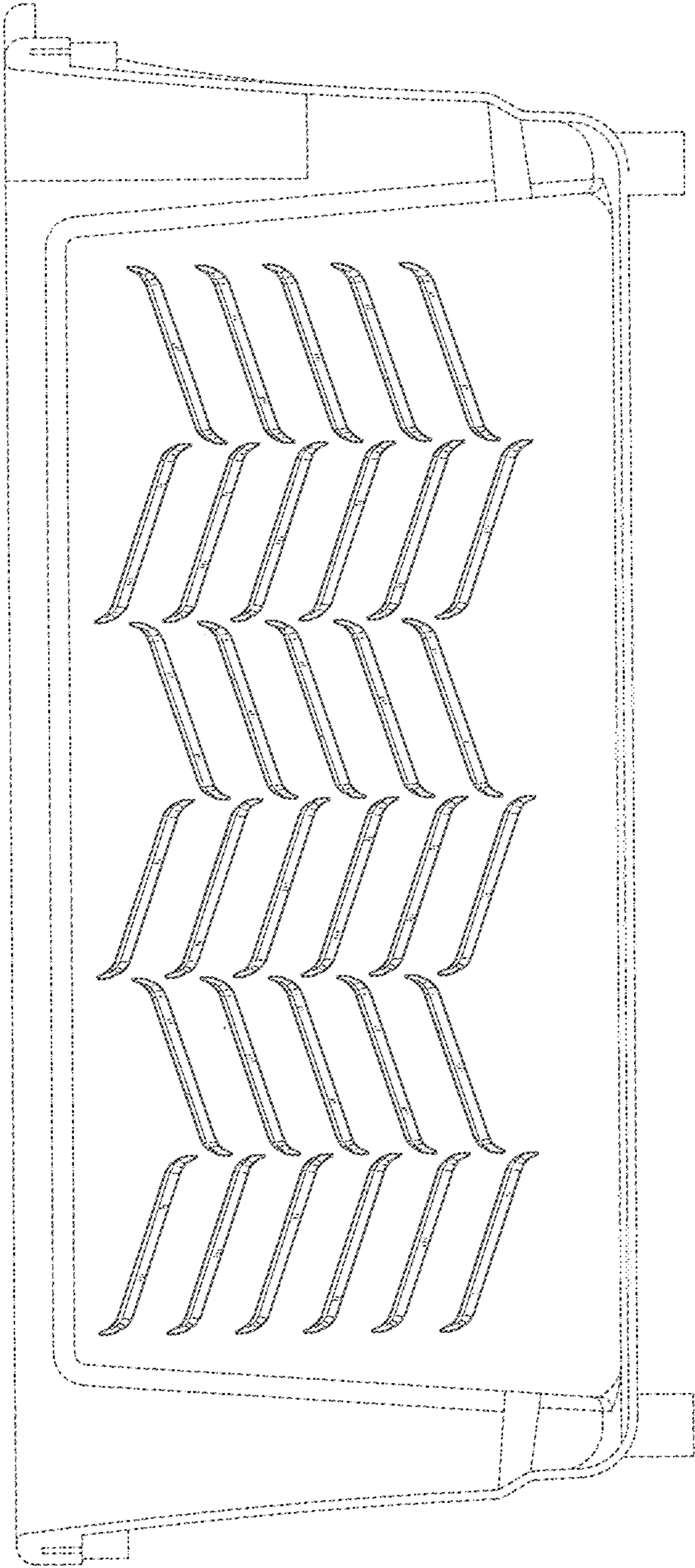


FIG. 1

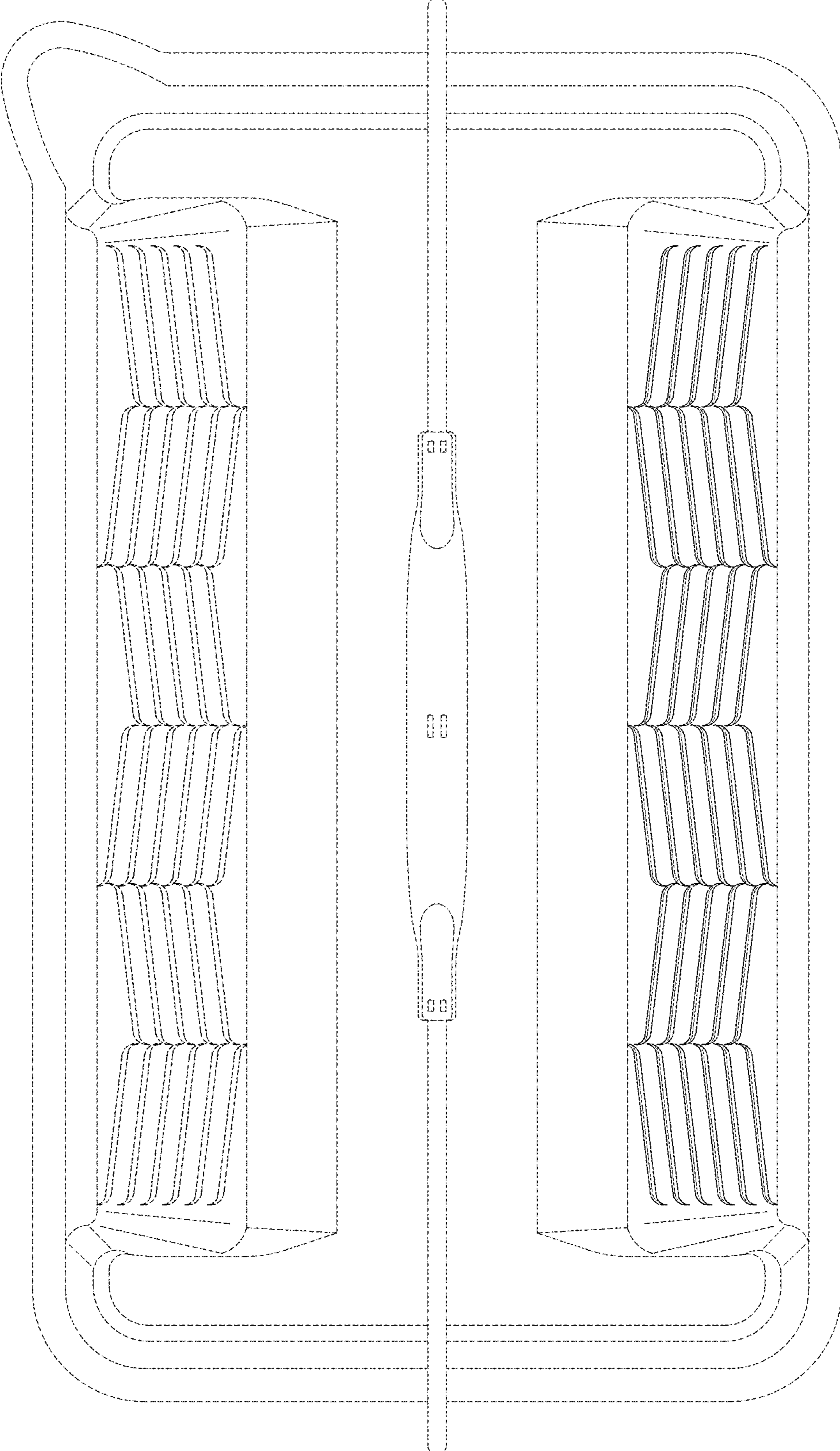


FIG. 2

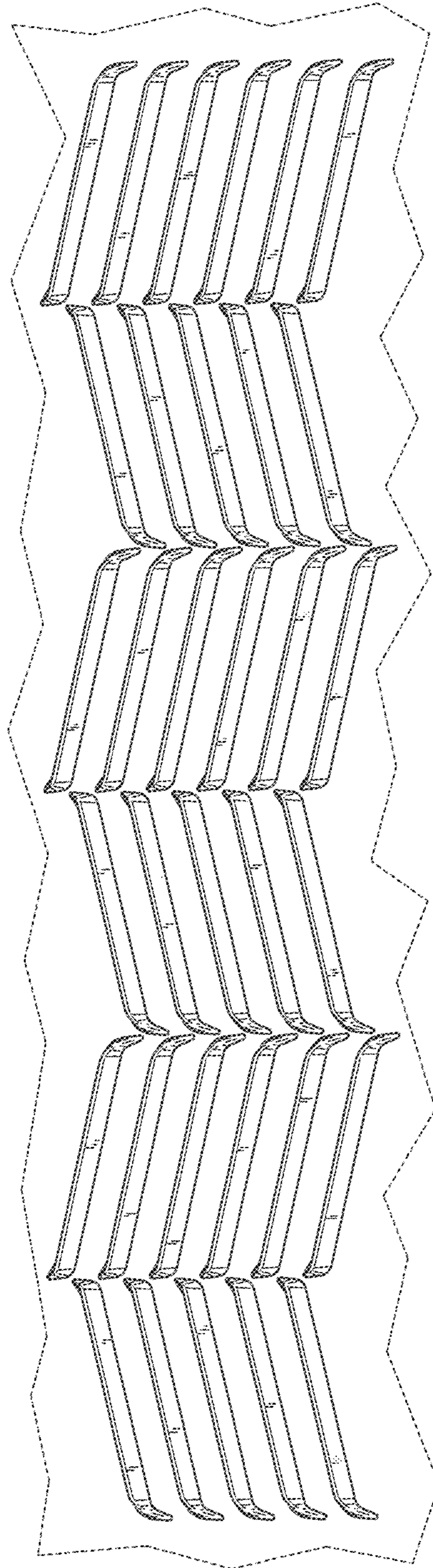


FIG. 3