



US00D694978S

(12) **United States Design Patent**
Libman

(10) **Patent No.:** **US D694,978 S**

(45) **Date of Patent:** **** Dec. 3, 2013**

(54) **BUCKET**

(71) Applicant: **The Libman Company**, Arcola, IL (US)

(72) Inventor: **Robert J. Libman**, Arcola, IL (US)

(73) Assignee: **The Libman Company**, Arcola, IL (US)

(**) Term: **14 Years**

(21) Appl. No.: **29/447,246**

(22) Filed: **Mar. 1, 2013**

(51) **LOC (9) Cl.** **07-07**

(52) **U.S. Cl.**
USPC **D32/53**

(58) **Field of Classification Search**
USPC D32/53, 53.1, 54; 15/260-264, 257.06,
15/119.1, 120.1; 220/570, 518, 904
See application file for complete search history.

(56) **References Cited**

U.S. PATENT DOCUMENTS

D212,831 S	*	11/1968	Koch	D32/53
D417,935 S		12/1999	Primeau		
D425,277 S	*	5/2000	Kent	D32/53
6,062,389 A	*	5/2000	Kent	206/518
D546,012 S	*	7/2007	Casteel et al.	D32/53
D618,412 S		6/2010	Berti		
D618,413 S		6/2010	Berti		
D645,628 S		9/2011	Tseng		

OTHER PUBLICATIONS

The Home Depot, "Rubbermaid Commercial Products 19 qt. Plastic Double Bucket", <http://www.homedepot.com>, published date unknown, but prior to the filing date of the present application, p. 1.
Amazon.com, "Mr. Clean 442438 Double Bucket, 38.8 Ounce", www.amazon.com, published date unknown, but prior to the filing date of the present application, p. 1.
Vileda Professional, "Double Bucket with Cone Wringer", www.vileda.com, published date unknown, but prior to the filing date of the present application, p. 1.

Kmart, "Libman 3 in 1 Utility Bucket", www.kmart.com, published date unknown, but prior to the filing date of the present application, p. 1.

* cited by examiner

Primary Examiner — Robin V Webster

(74) *Attorney, Agent, or Firm* — Banner & Witcoff, Ltd.

(57) **CLAIM**

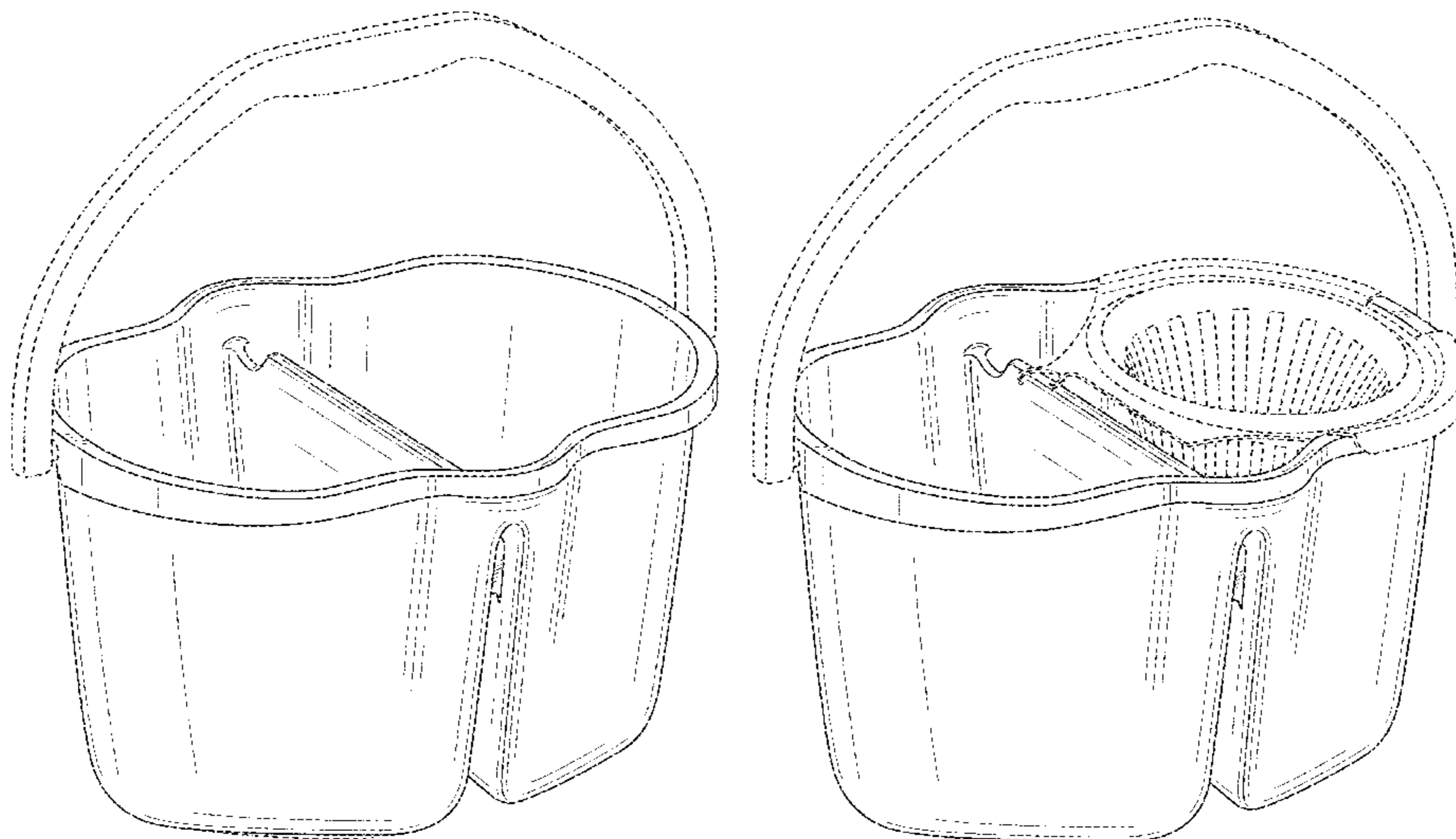
The ornamental design for a bucket, as shown and described.

DESCRIPTION

FIG. 1 is a top, front, right perspective view of a bucket showing my new design;
FIG. 2 is a top, left perspective view thereof;
FIG. 3 is a right side view thereof;
FIG. 4 is a rear view thereof;
FIG. 5 is a left side view thereof;
FIG. 6 is a front view thereof; and
FIG. 7 is a top view thereof.
FIG. 8 is a top, front, right perspective view of a bucket showing my new design in an alternate unclaimed environment;
FIG. 9 is a top, left perspective view thereof;
FIG. 10 is a right side view thereof;
FIG. 11 is a rear view thereof;
FIG. 12 is a left side view thereof;
FIG. 13 is a front view thereof; and,
FIG. 14 is a top view thereof.

The broken lines immediately adjacent to the shaded area represent unclaimed boundaries of the design. The broken lines showing the remainder of the bucket are for environmental purposes only and form no part of the claimed design.

1 Claim, 14 Drawing Sheets



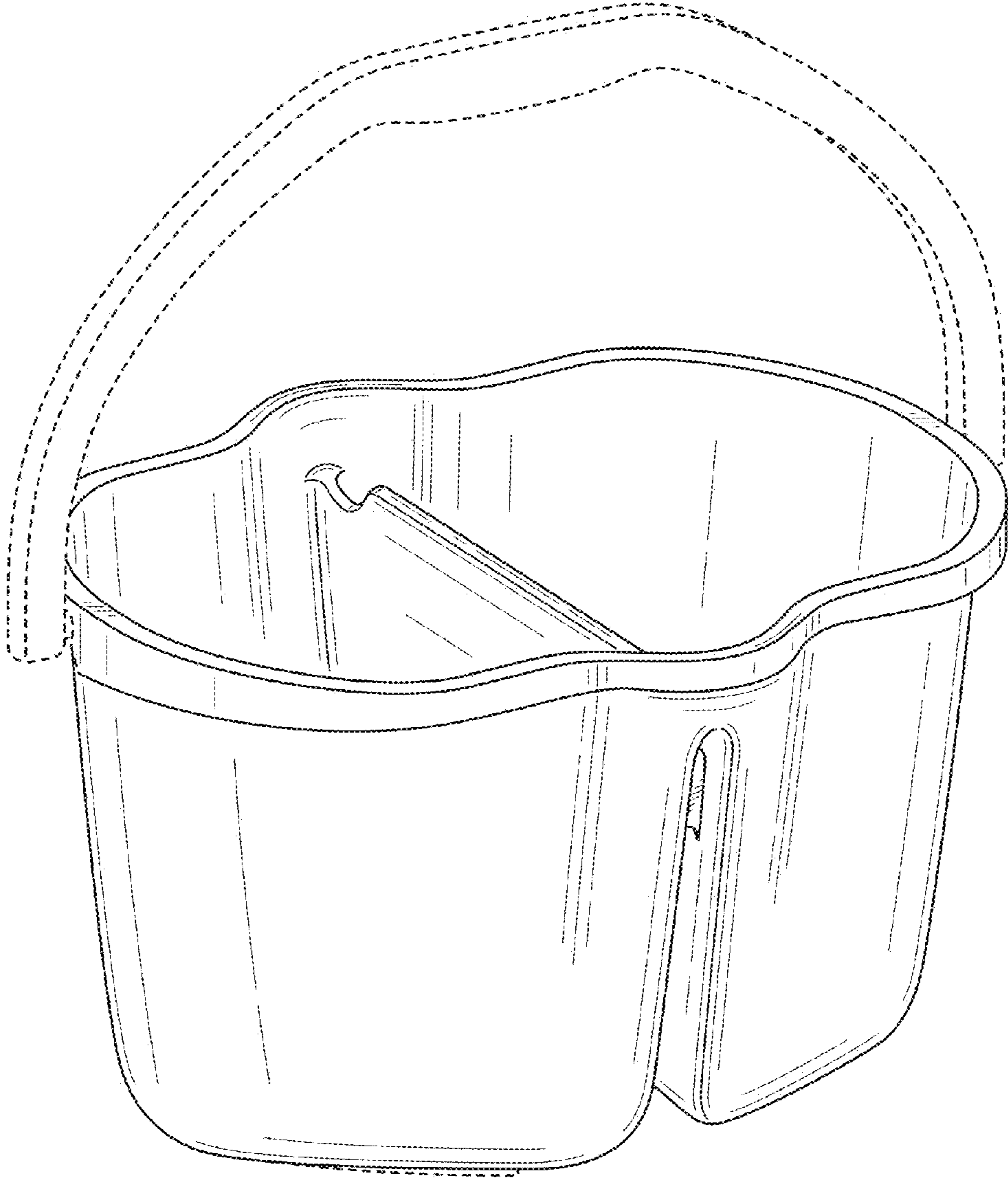


FIG. 1

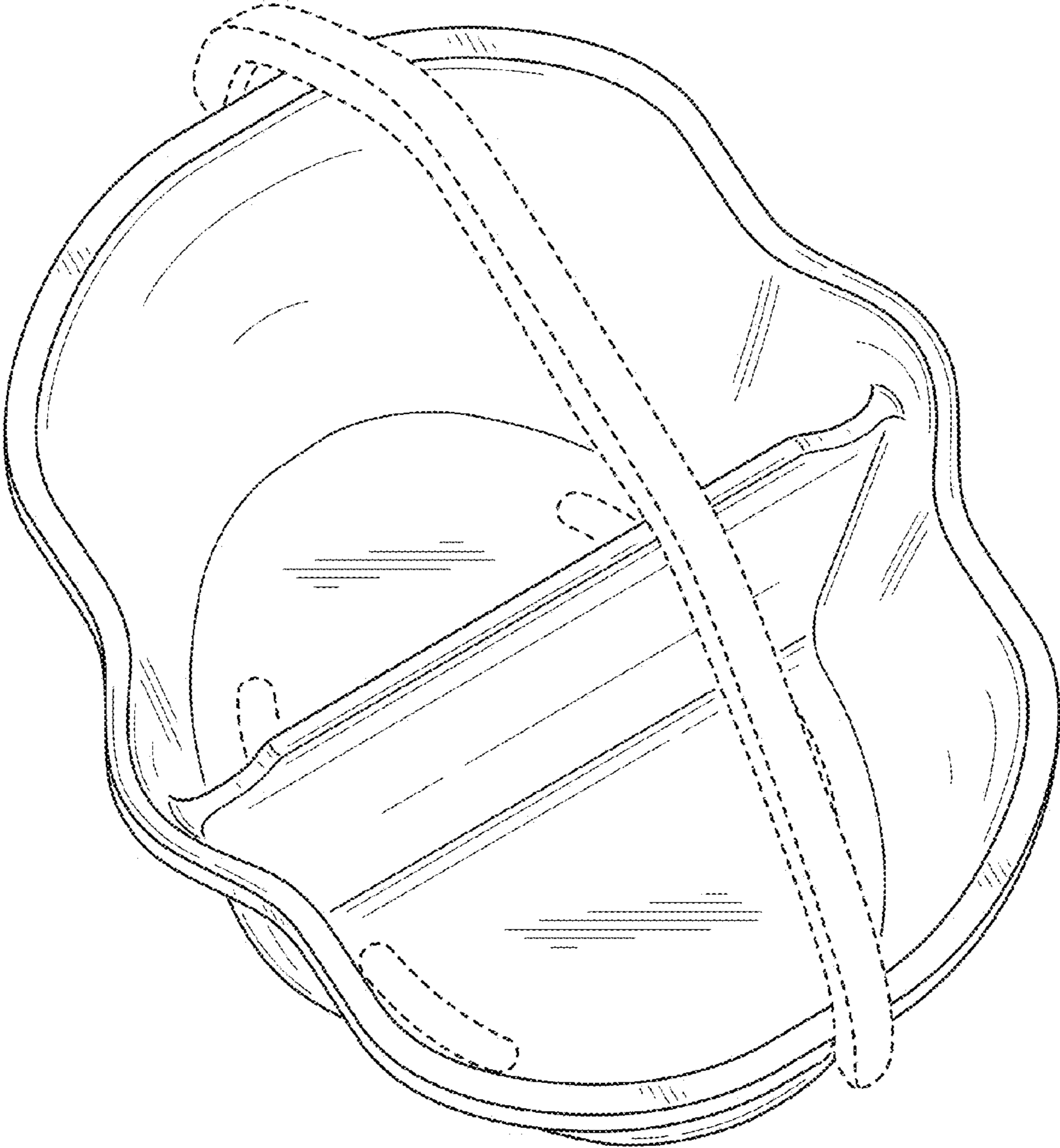


FIG. 2

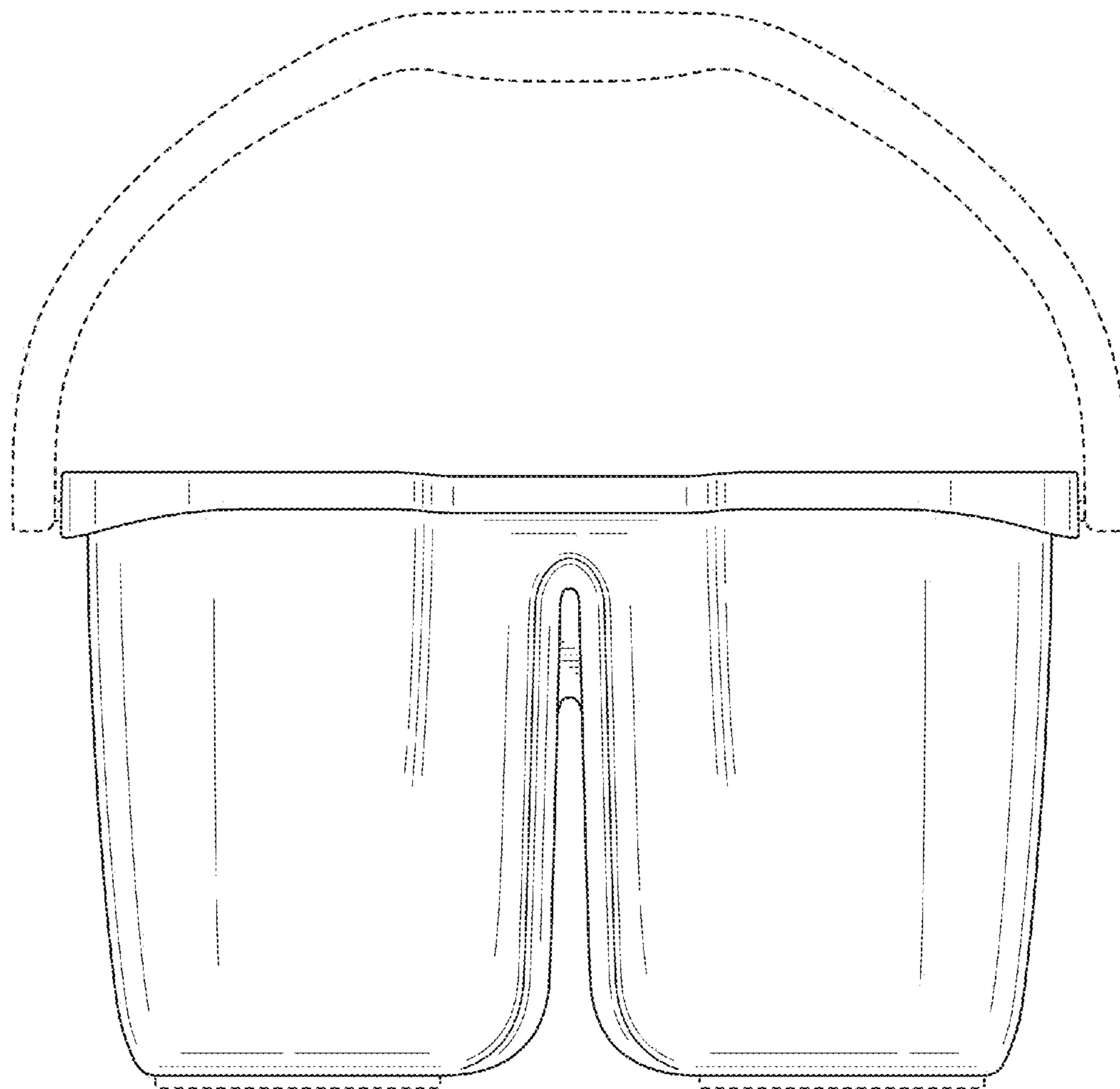


FIG. 3

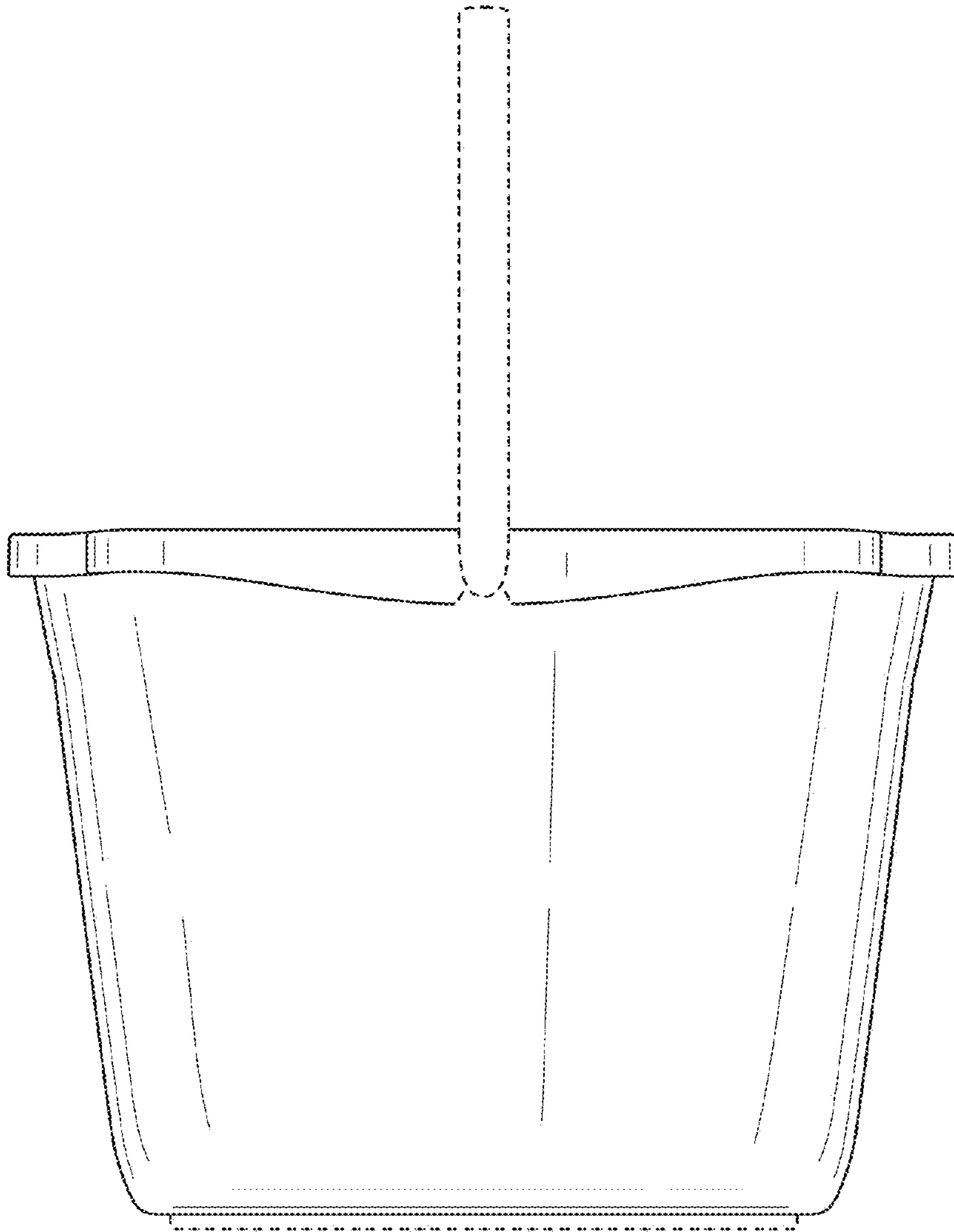


FIG. 4

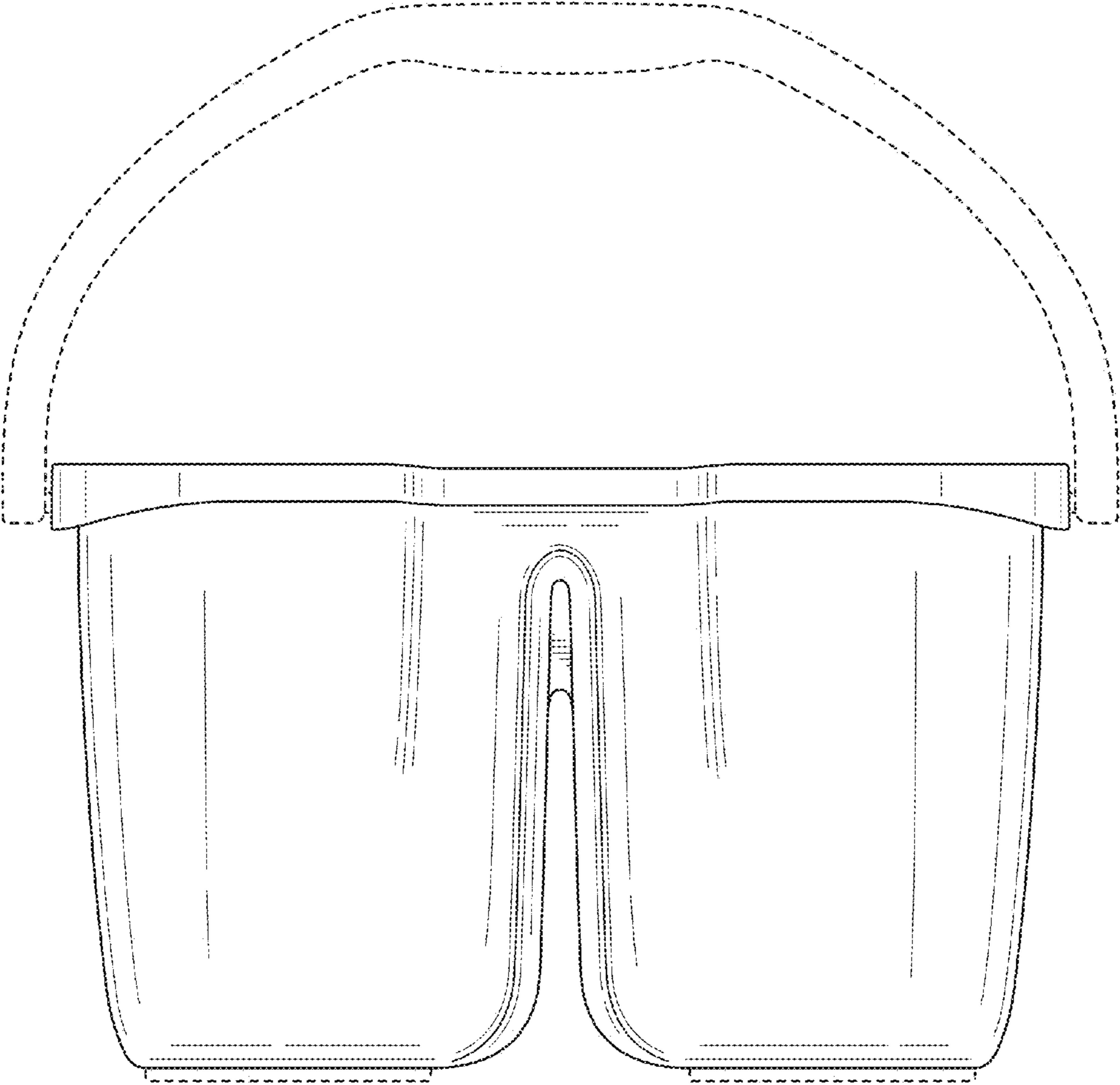


FIG. 5

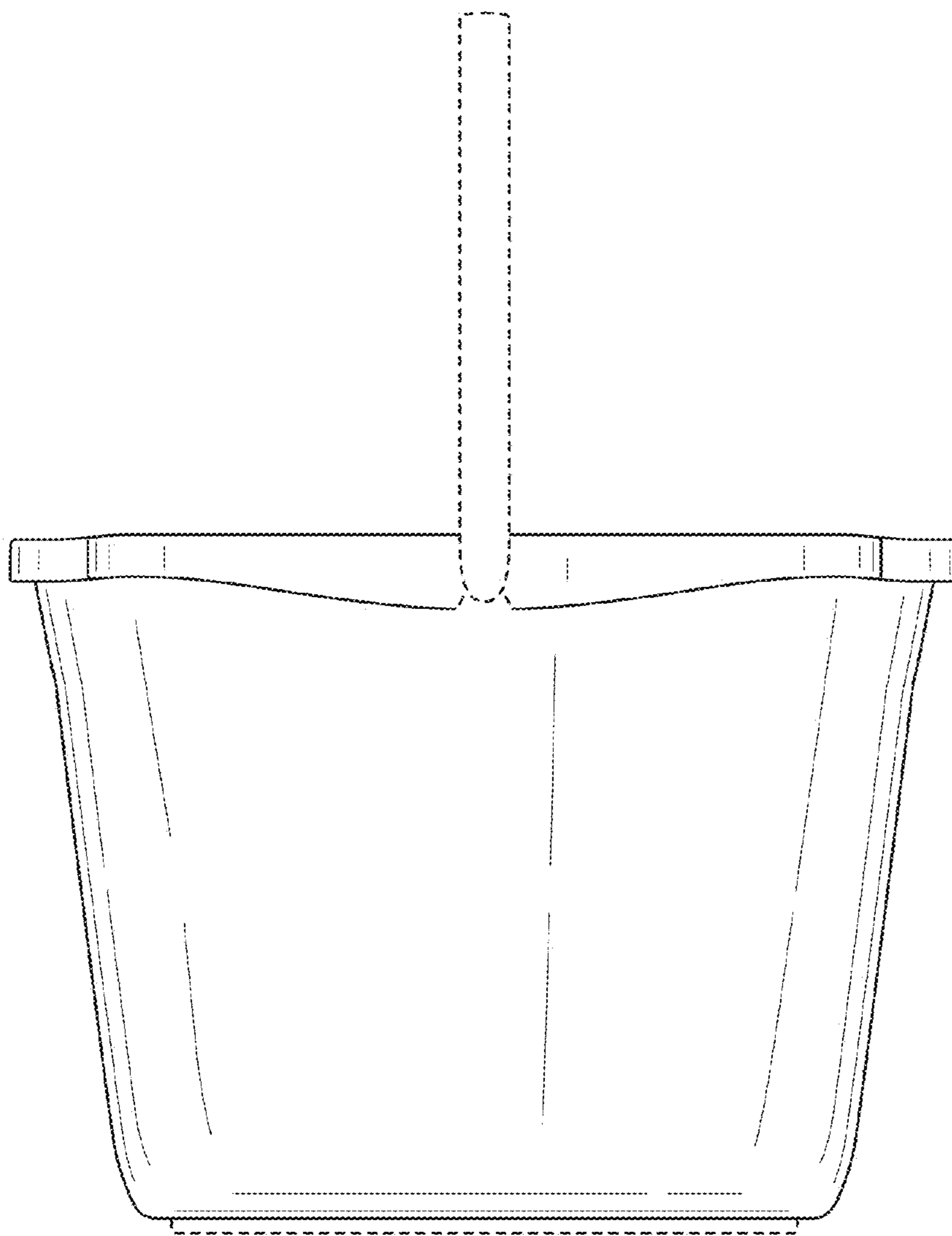


FIG. 6

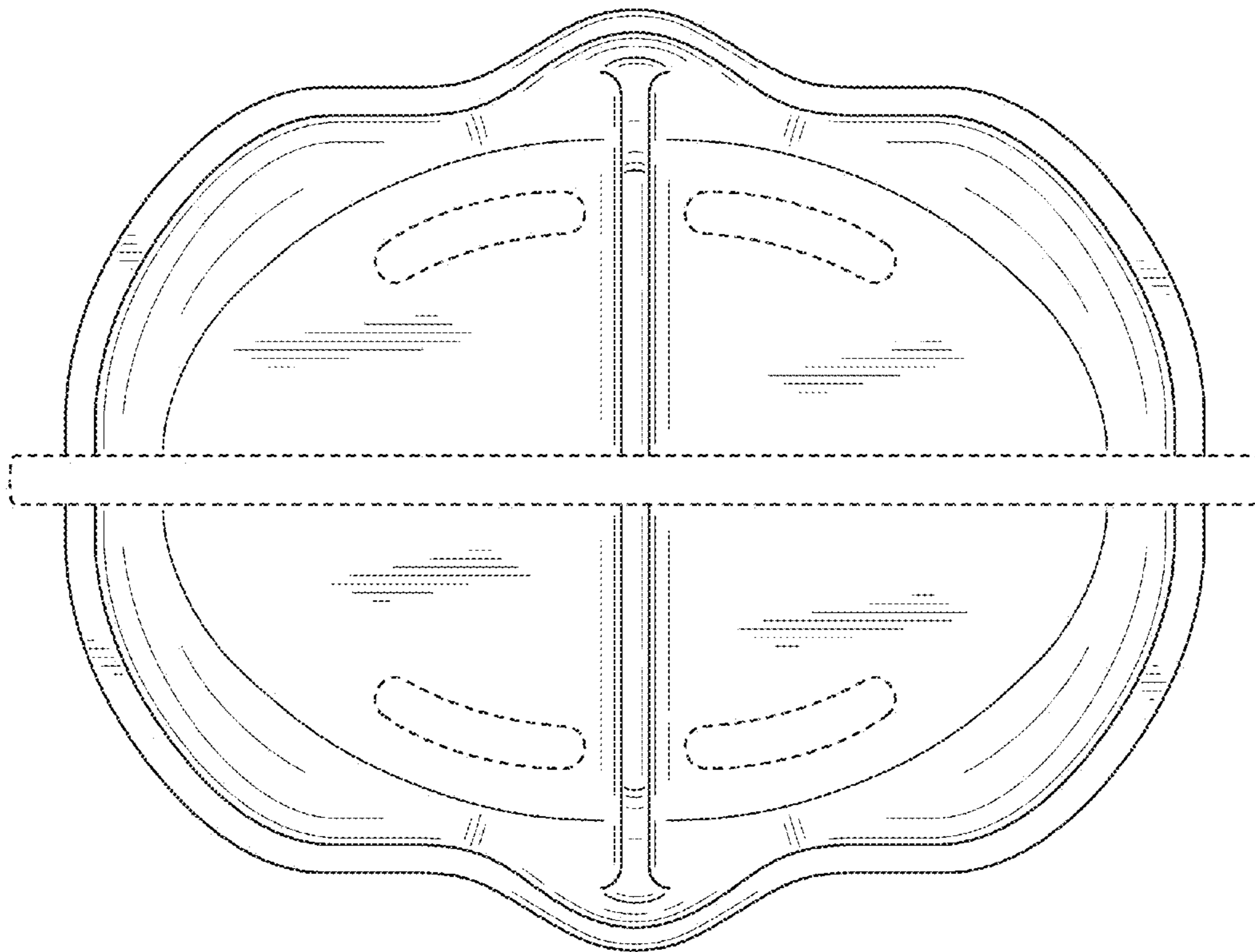


FIG. 7

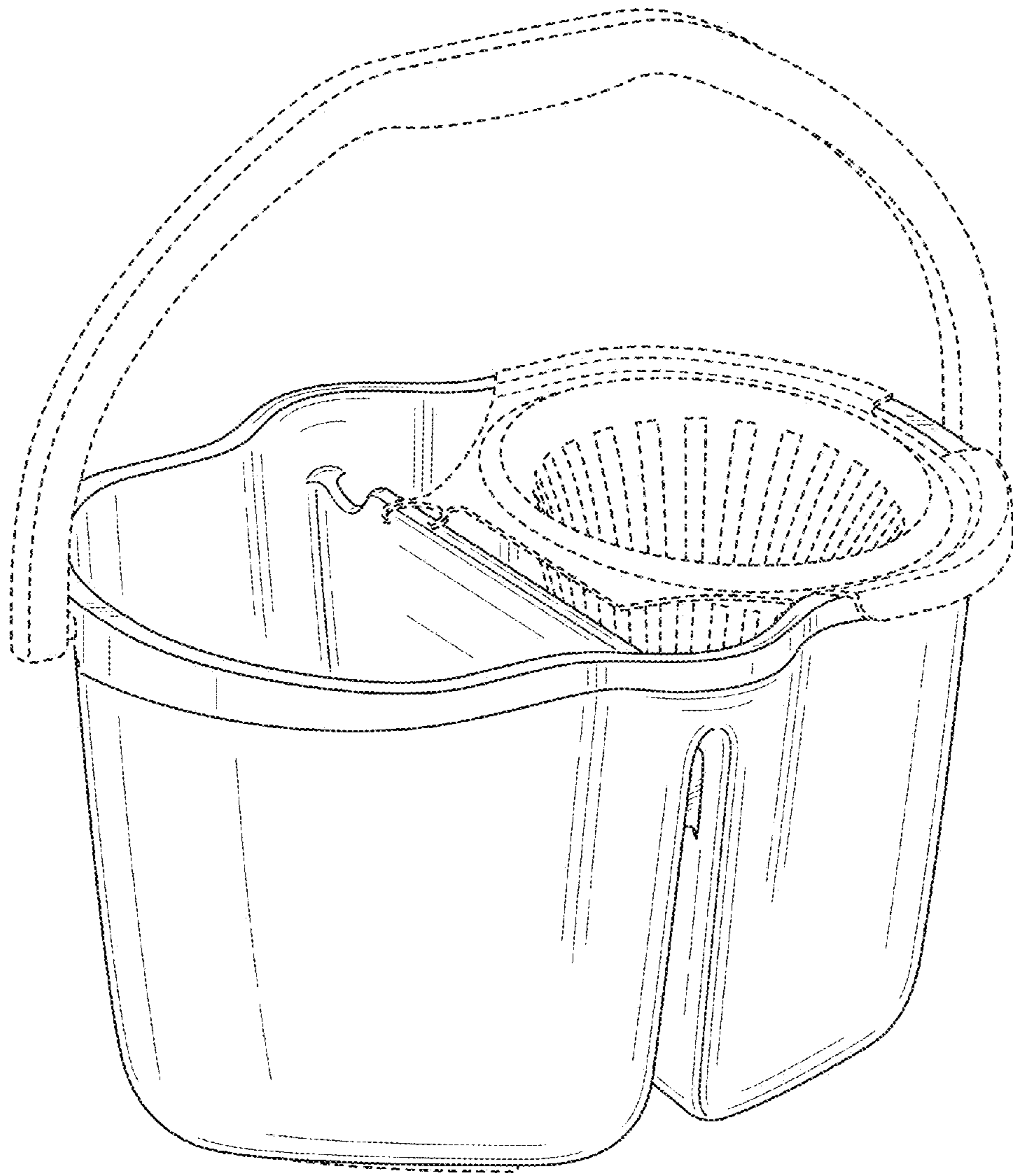


FIG. 8

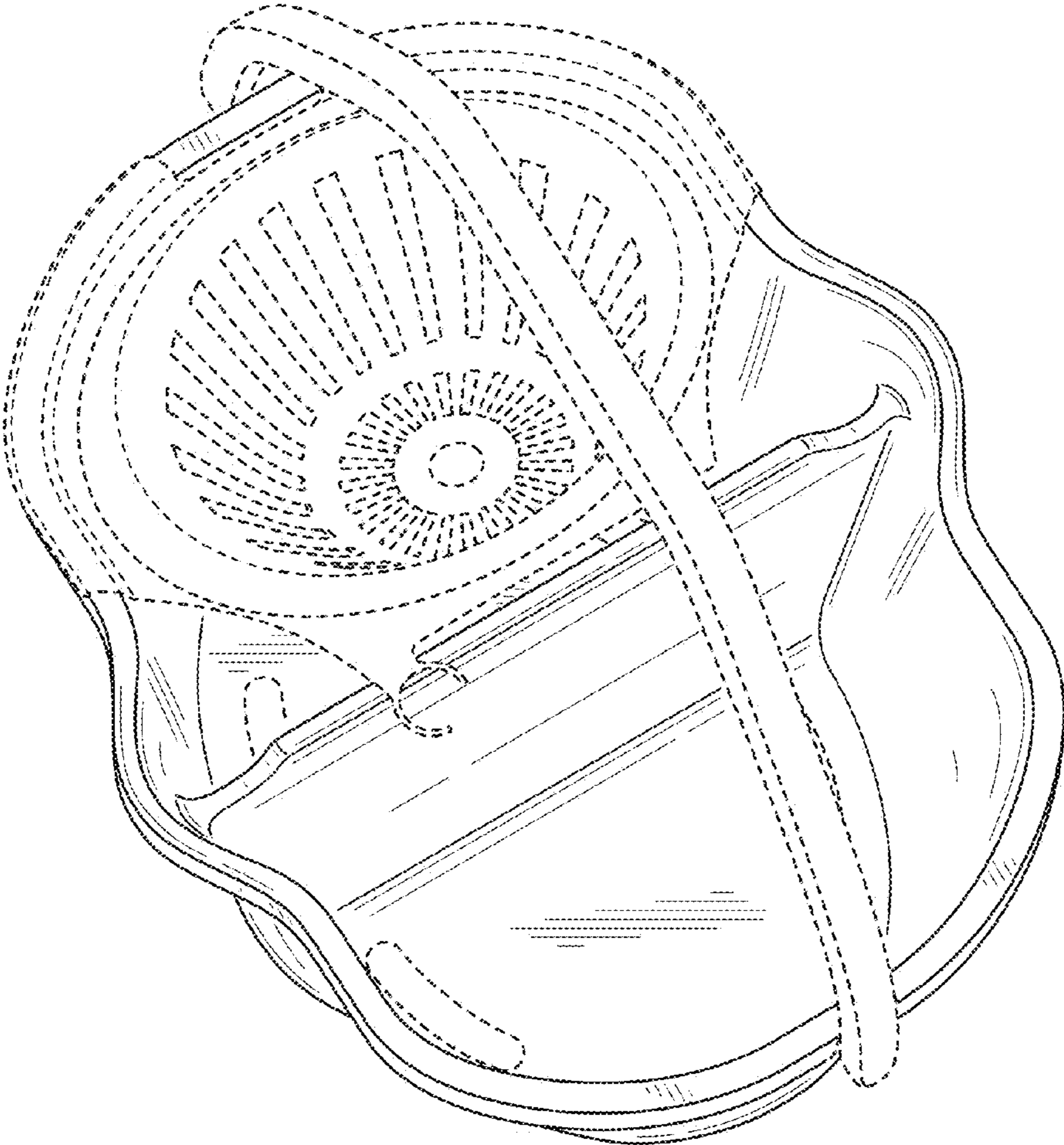


FIG. 9

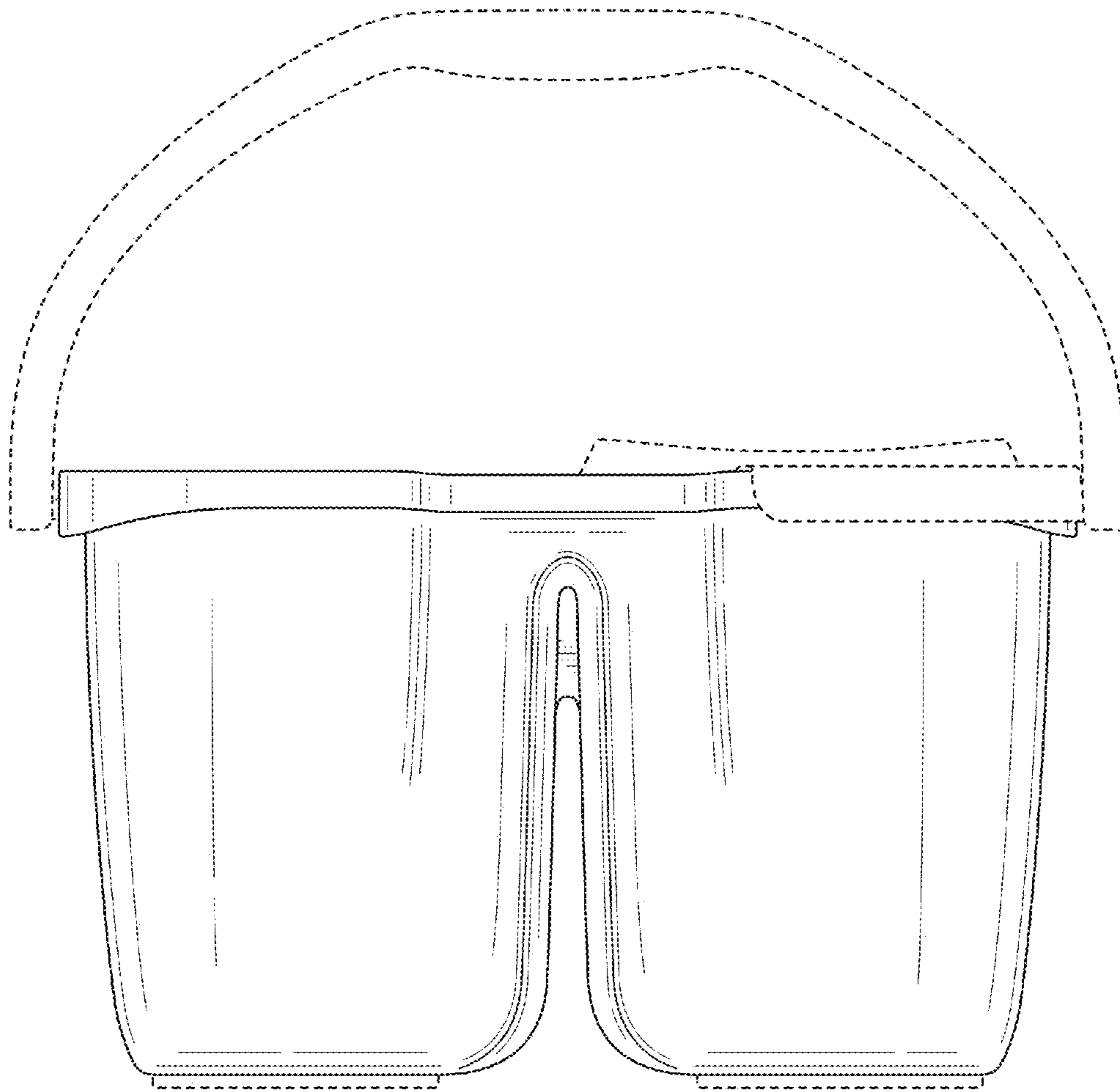


FIG. 10

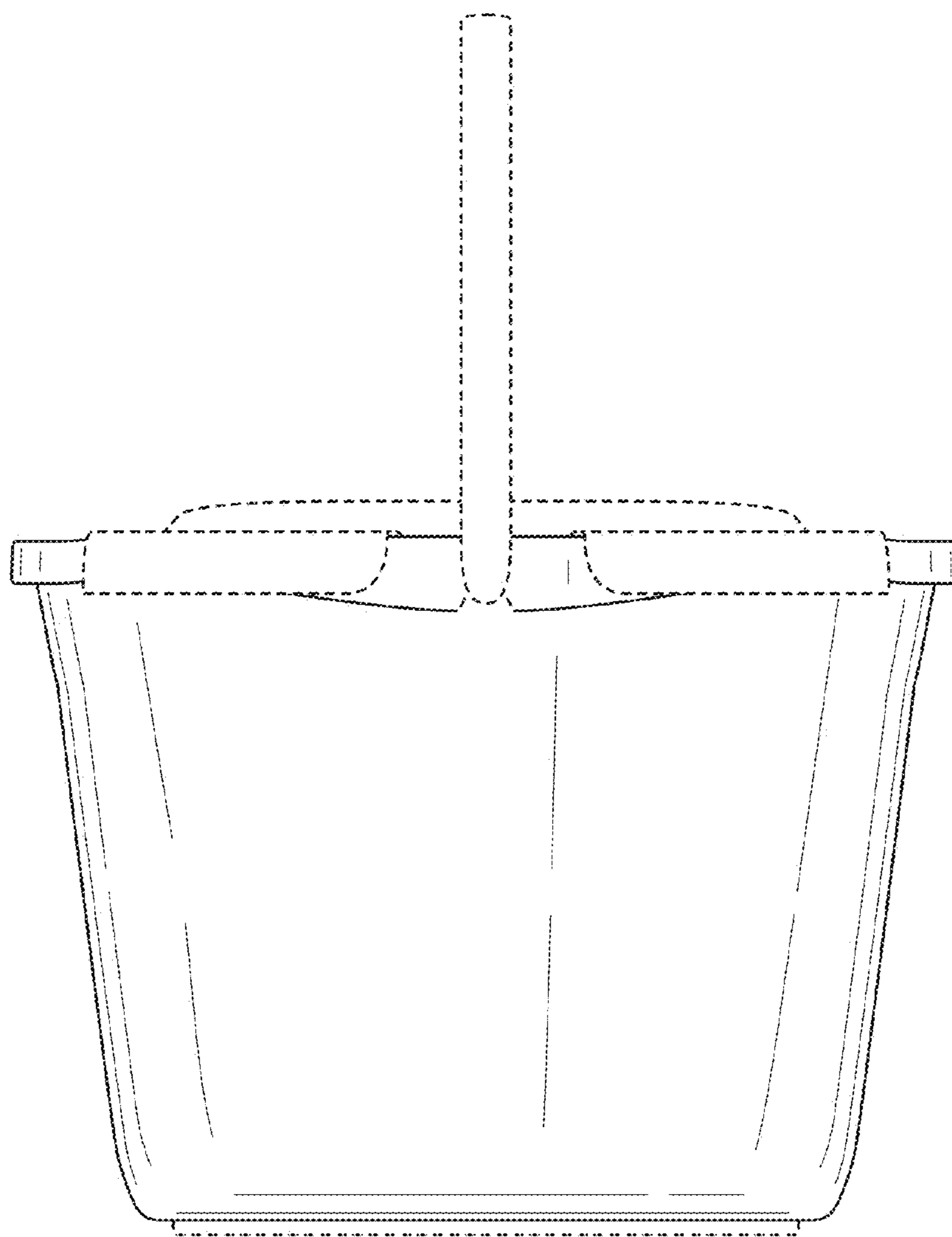


FIG. 11

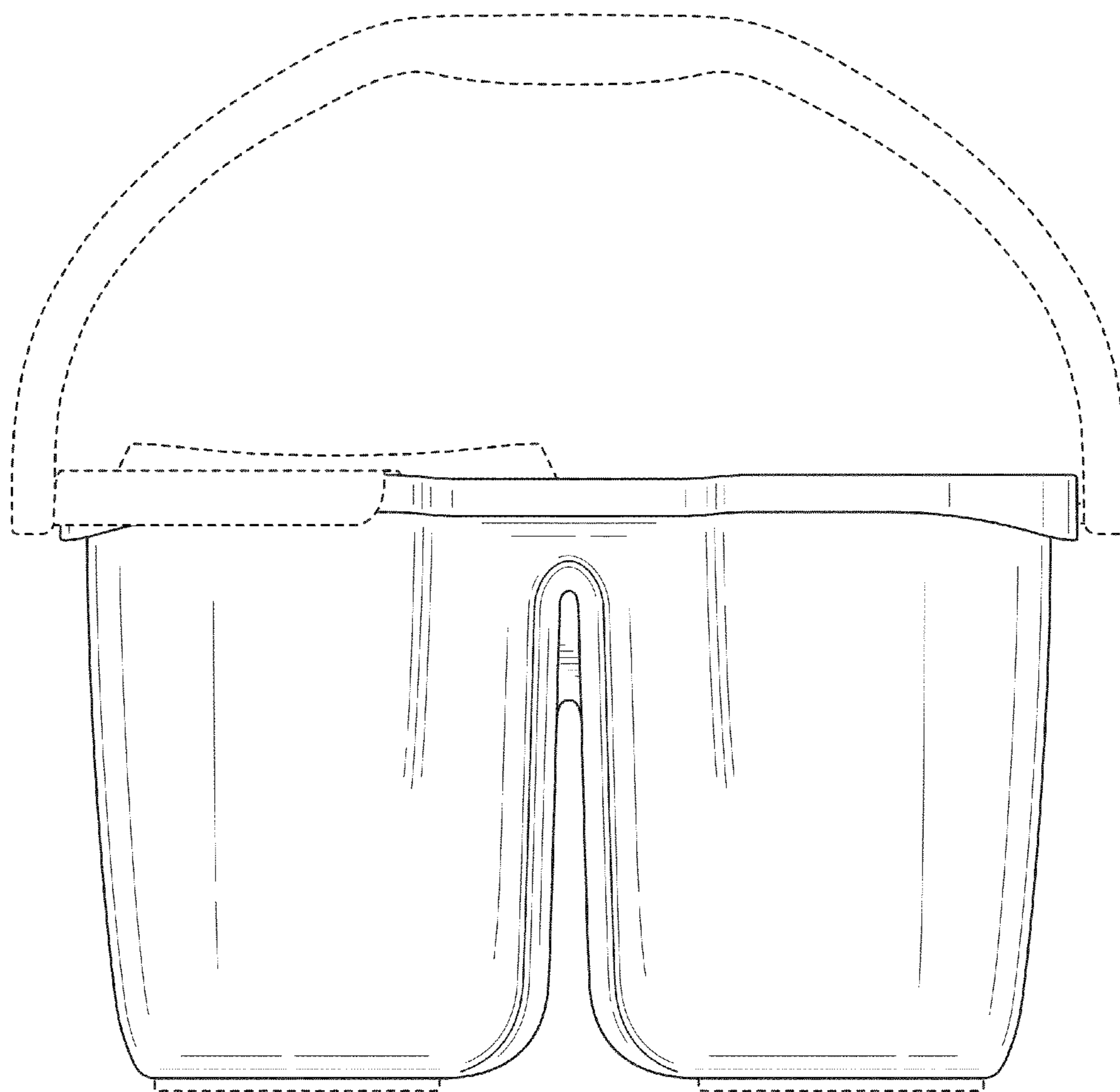


FIG. 12

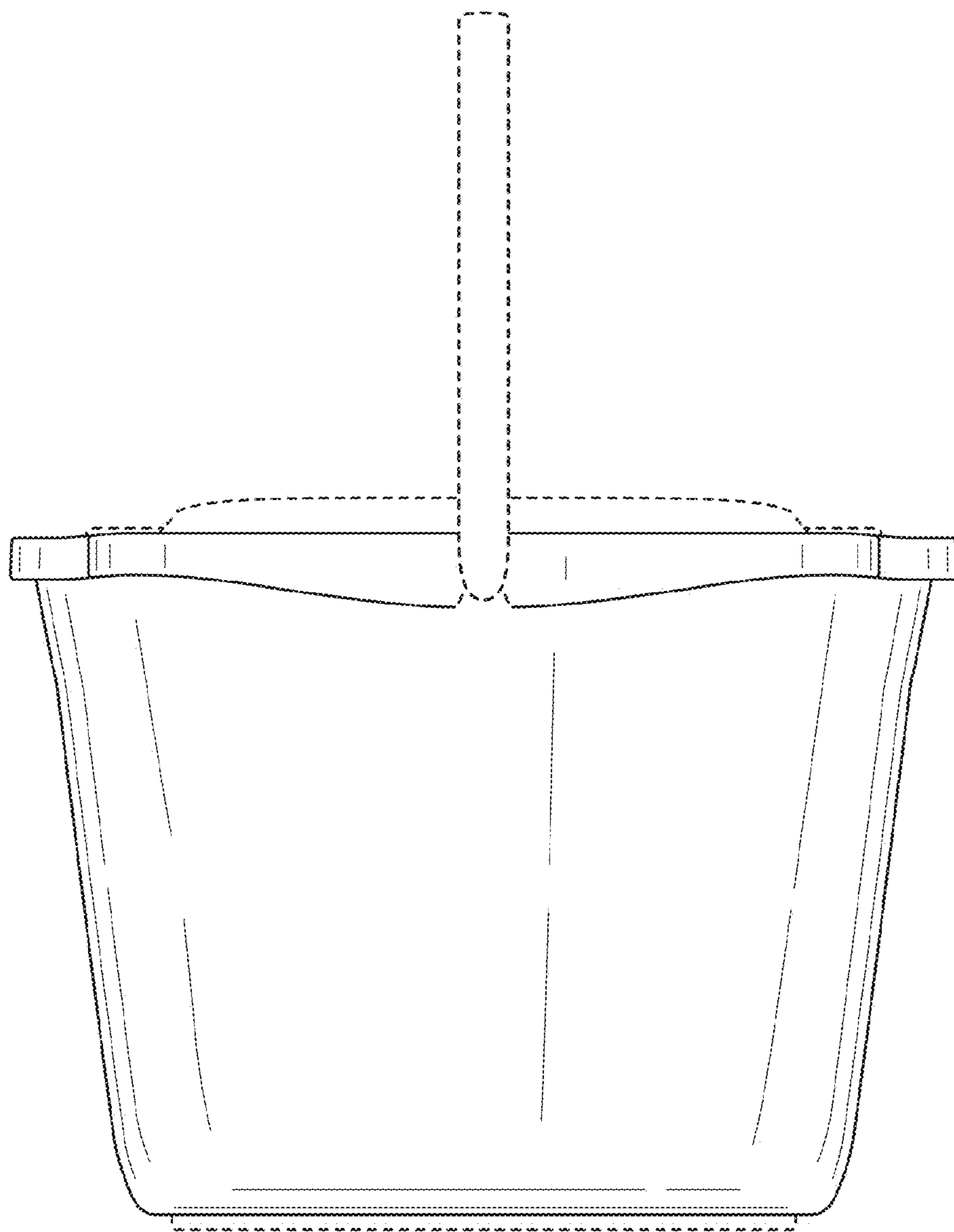


FIG. 13

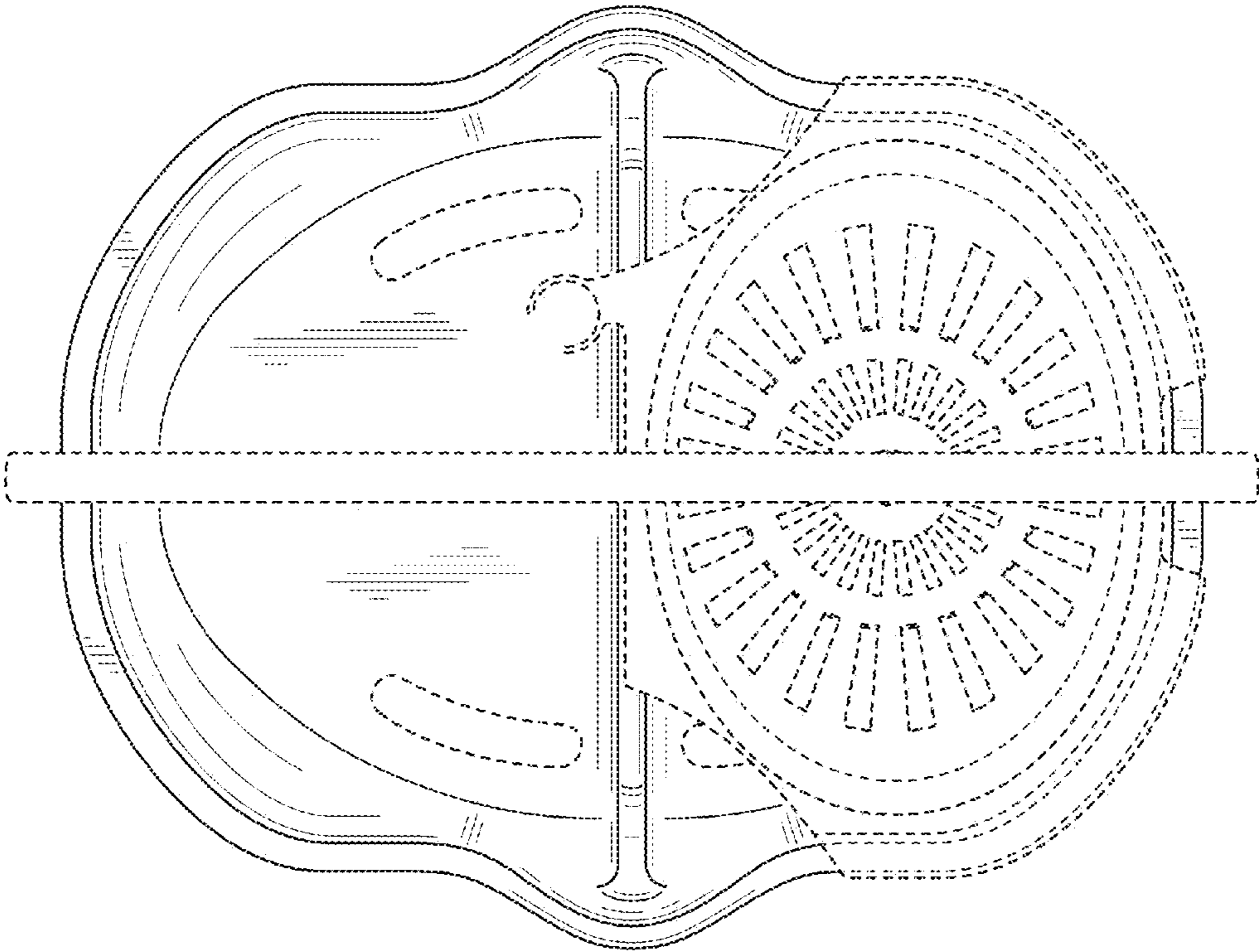


FIG. 14