



US00D694977S

(12) **United States Design Patent**
Libman

(10) **Patent No.:** **US D694,977 S**

(45) **Date of Patent:** **** Dec. 3, 2013**

(54) **BUCKET**

D546,012 S * 7/2007 Casteel et al. D32/53
D618,412 S 6/2010 Berti
D618,413 S 6/2010 Berti

(71) Applicant: **The Libman Company**, Arcola, IL (US)

(72) Inventor: **Robert J. Libman**, Arcola, IL (US)

(73) Assignee: **The Libman Company**, Arcola, IL (US)

(**) Term: **14 Years**

(21) Appl. No.: **29/445,623**

(22) Filed: **Feb. 14, 2013**

(51) **LOC (9) Cl.** **07-07**

(52) **U.S. Cl.**

USPC **D32/53**

(58) **Field of Classification Search**

USPC D32/53, 53.1, 54; 15/260–264, 257.06,
15/119.1, 120.1; 220/570, 518, 904

See application file for complete search history.

(56) **References Cited**

U.S. PATENT DOCUMENTS

D212,831 S * 11/1968 Koch D32/53
D425,277 S * 5/2000 Kent D32/53
6,062,389 A * 5/2000 Kent 206/518

OTHER PUBLICATIONS

The Home Depot, “Rubbermaid Commercial Products 19 qt. Plastic Double Bucket”, <http://www.homedepot.com>, published date unknown, but prior to the filing date of the present application, p. 1.

* cited by examiner

Primary Examiner — Robin V Webster

(74) *Attorney, Agent, or Firm* — Banner & Witcoff, Ltd.

(57) **CLAIM**

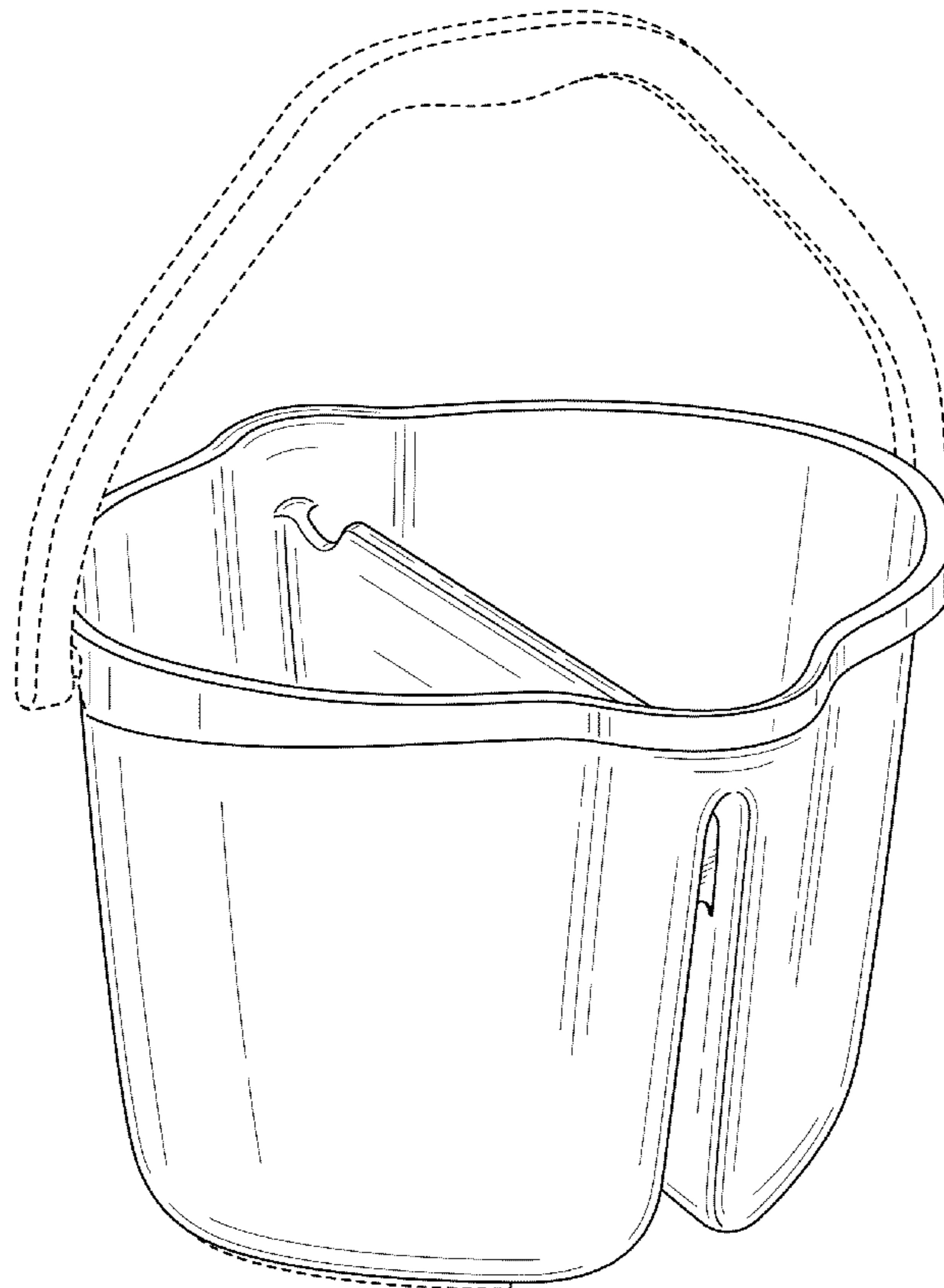
The ornamental design for a bucket, as shown and described.

DESCRIPTION

FIG. 1 is a top, front, right perspective view of a bucket showing my new design;
FIG. 2 is a top, left perspective view thereof;
FIG. 3 is a right side view thereof;
FIG. 4 is a rear view thereof;
FIG. 5 is a left side view thereof;
FIG. 6 is a front view thereof; and,
FIG. 7 is a top view thereof.

The broken lines immediately adjacent to the shaded area represent unclaimed boundaries of the design. The broken lines showing the remainder of the bucket are for environmental purposes only and form no part of the claimed design.

1 Claim, 7 Drawing Sheets



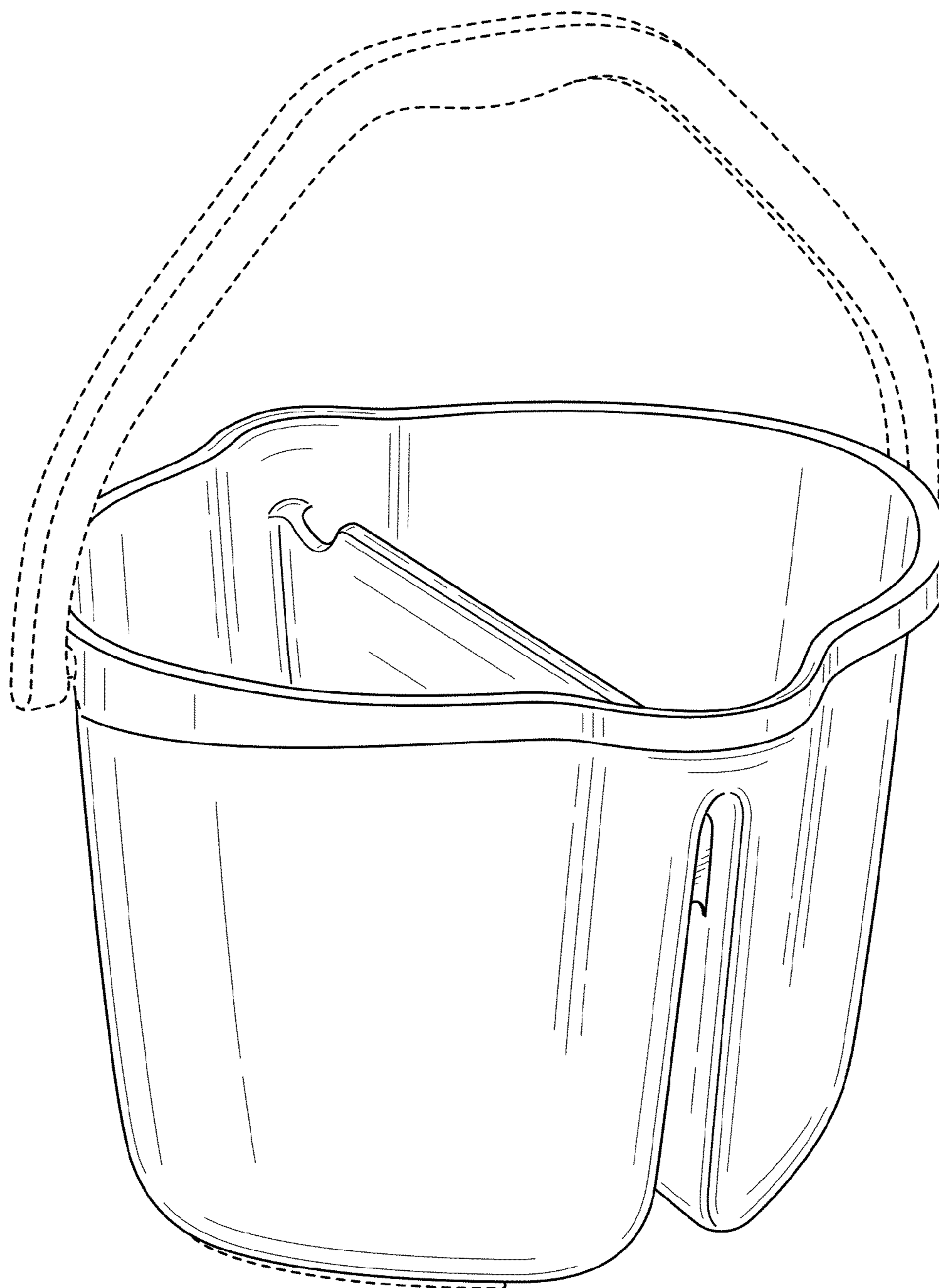


FIG. 1

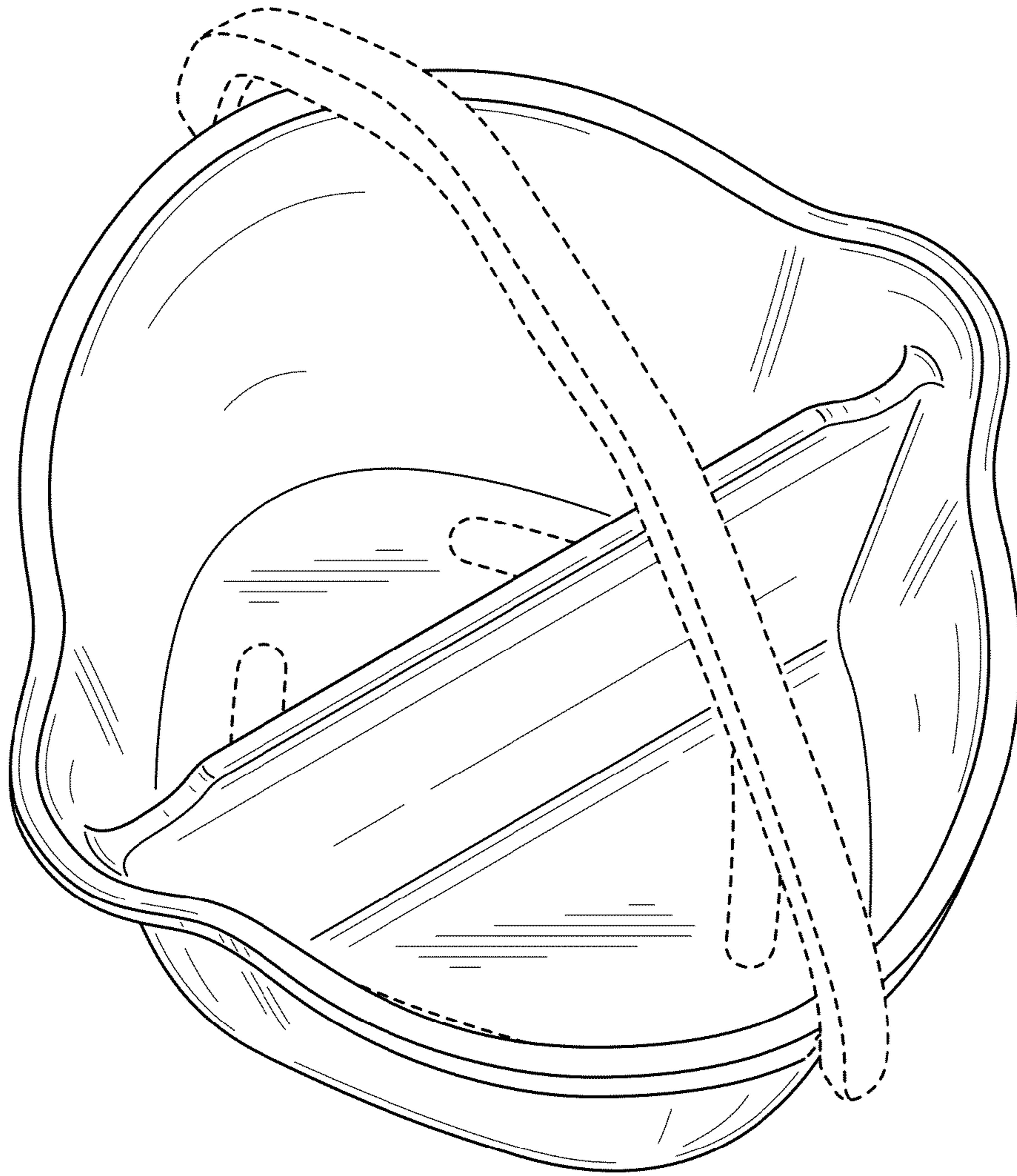


FIG. 2

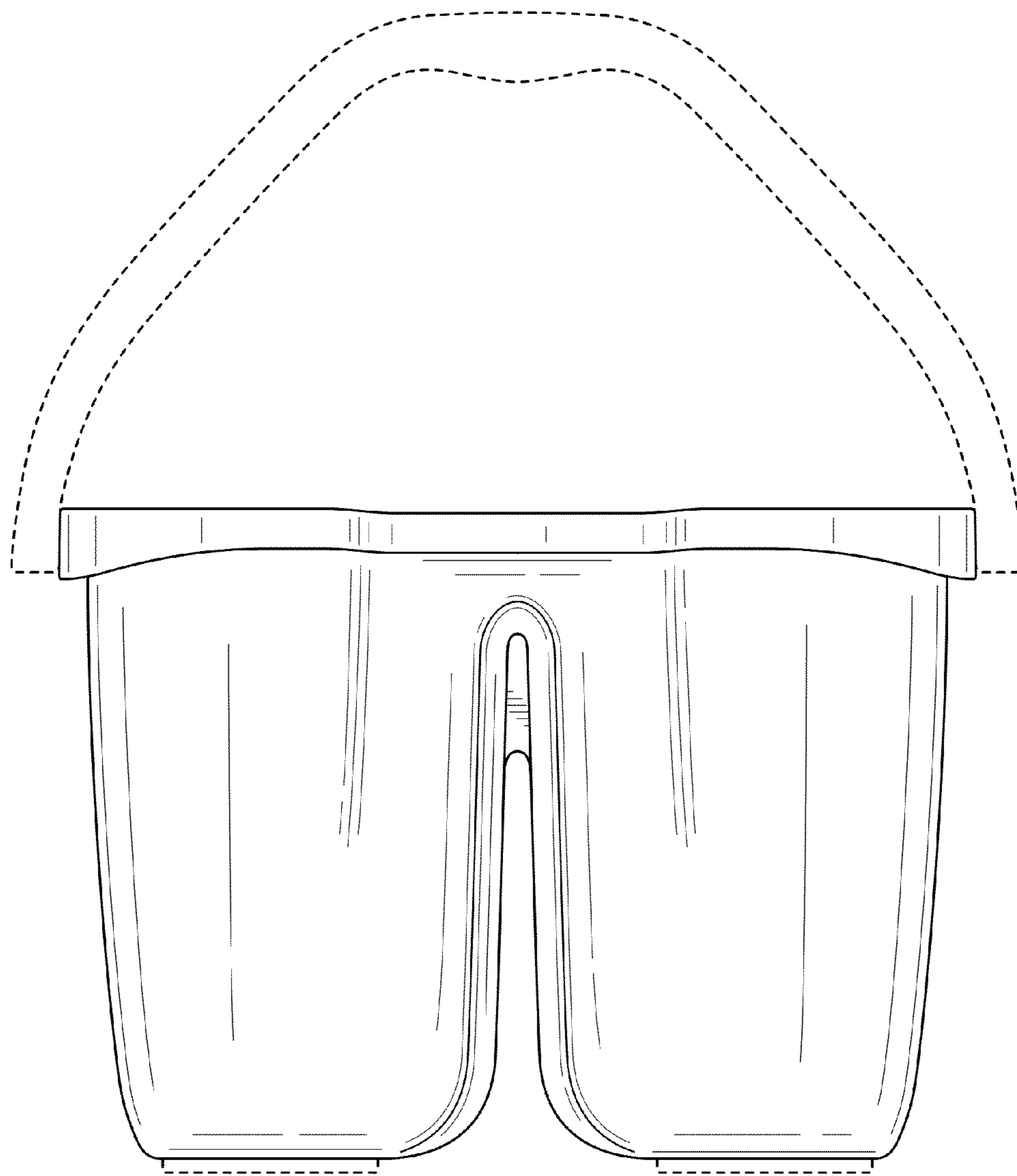


FIG. 3

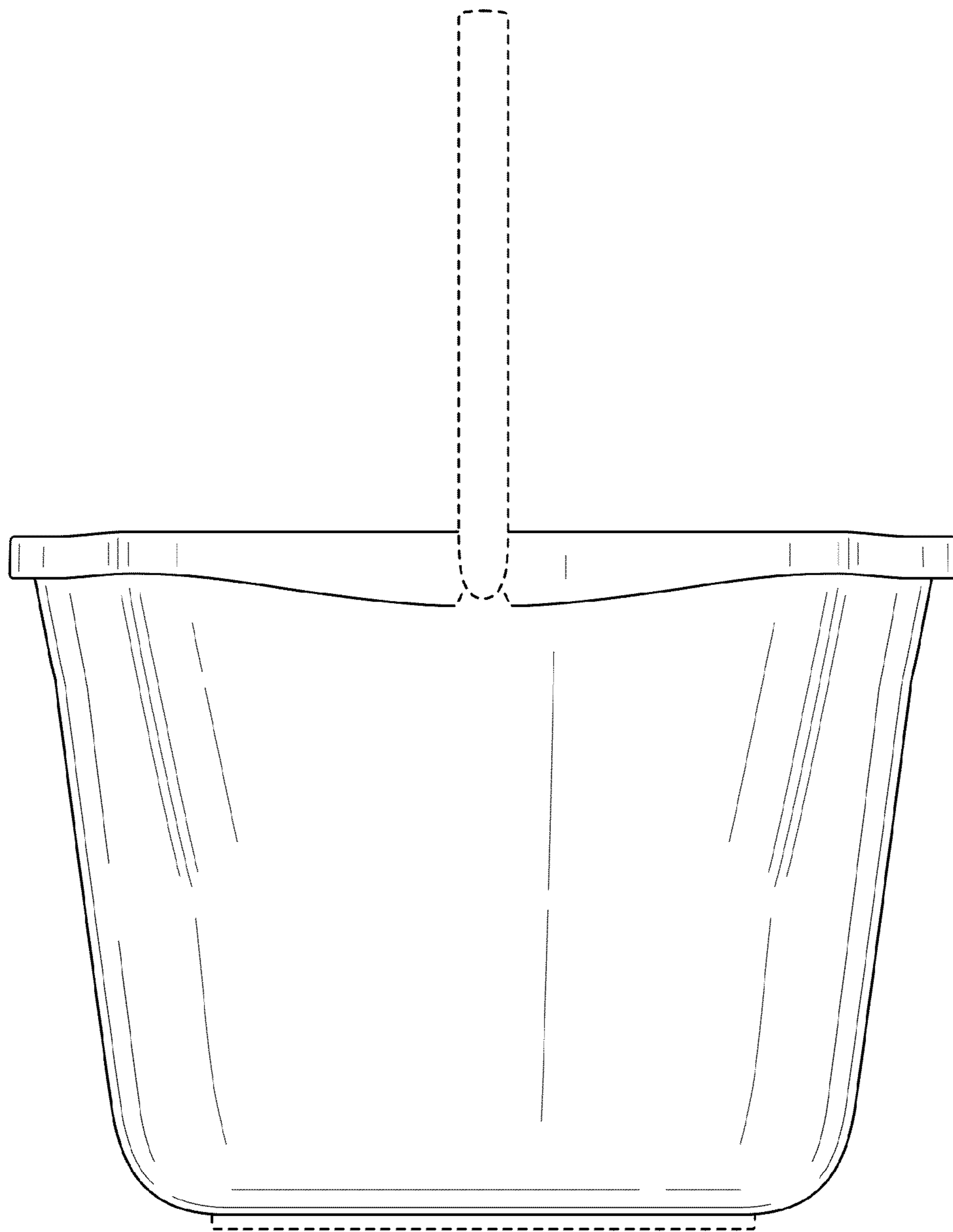


FIG. 4

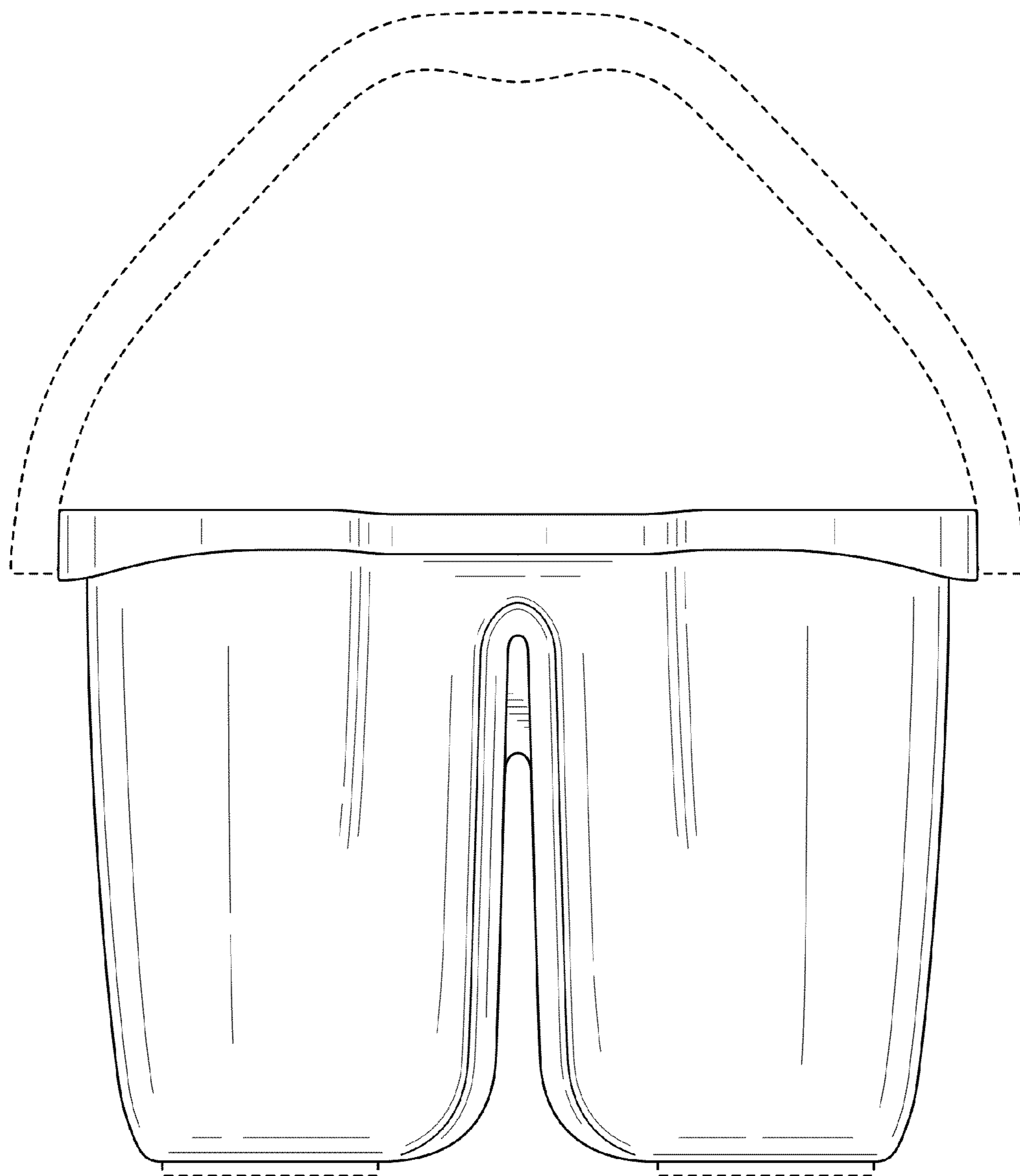


FIG. 5

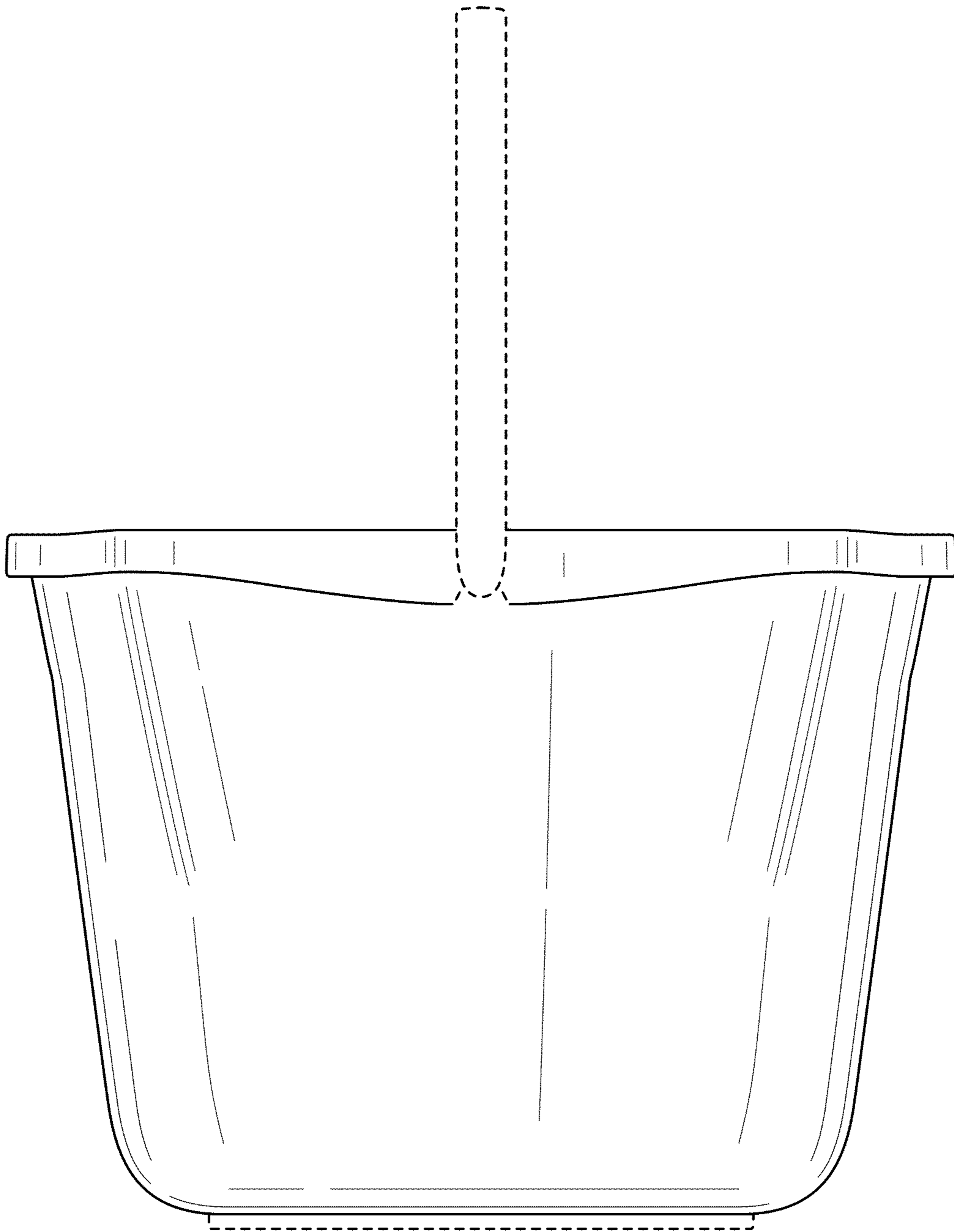


FIG. 6

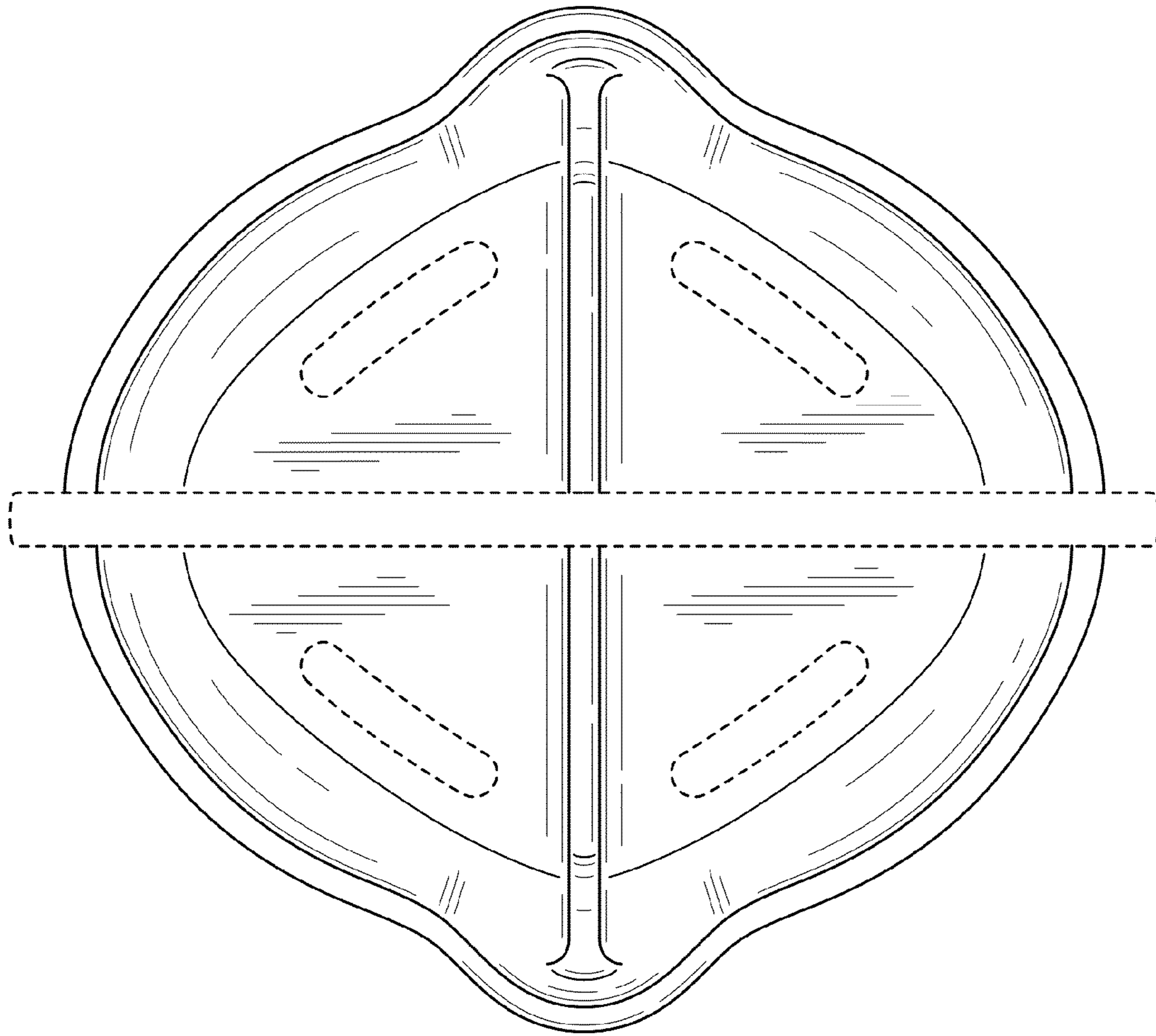


FIG. 7