



US00D694975S

(12) **United States Design Patent**
Lambertson, Jr. et al.

(10) **Patent No.:** **US D694,975 S**
(45) **Date of Patent:** **** Dec. 3, 2013**

(54) **BUCKET**

(75) Inventors: **Michael C. Lambertson, Jr.**, Aurora, OH (US); **Andrew K. Marsden**, Avon, OH (US); **Mark R. Eichelberger**, Lakewood, OH (US)

(73) Assignee: **The Sherwin-Williams Company**, Cleveland, OH (US)

(**) Term: **14 Years**

(21) Appl. No.: **29/431,656**

(22) Filed: **Sep. 10, 2012**

(51) **LOC (9) Cl.** **07-07**

(52) **U.S. Cl.**
USPC **D32/53**

(58) **Field of Classification Search**
USPC D32/53, 53.1, 54; 15/260-264, 257.06; 220/570, 518, 904
See application file for complete search history.

(56) **References Cited**

U.S. PATENT DOCUMENTS

D202,134 S * 8/1965 Bryan D32/53.1
D303,304 S * 9/1989 Sabatino D32/53.1

D355,287 S * 2/1995 Camp, Jr. D32/53.1
5,493,751 A * 2/1996 Misiukowicz et al. 15/257.06
D477,702 S * 7/2003 Kohn D32/53.1
7,410,074 B1 * 8/2008 Brunning 220/570

* cited by examiner

Primary Examiner — Robin V Webster

(74) *Attorney, Agent, or Firm* — Deron A. Cook; Robert E. McDonald; Eryn A. Fuhrer

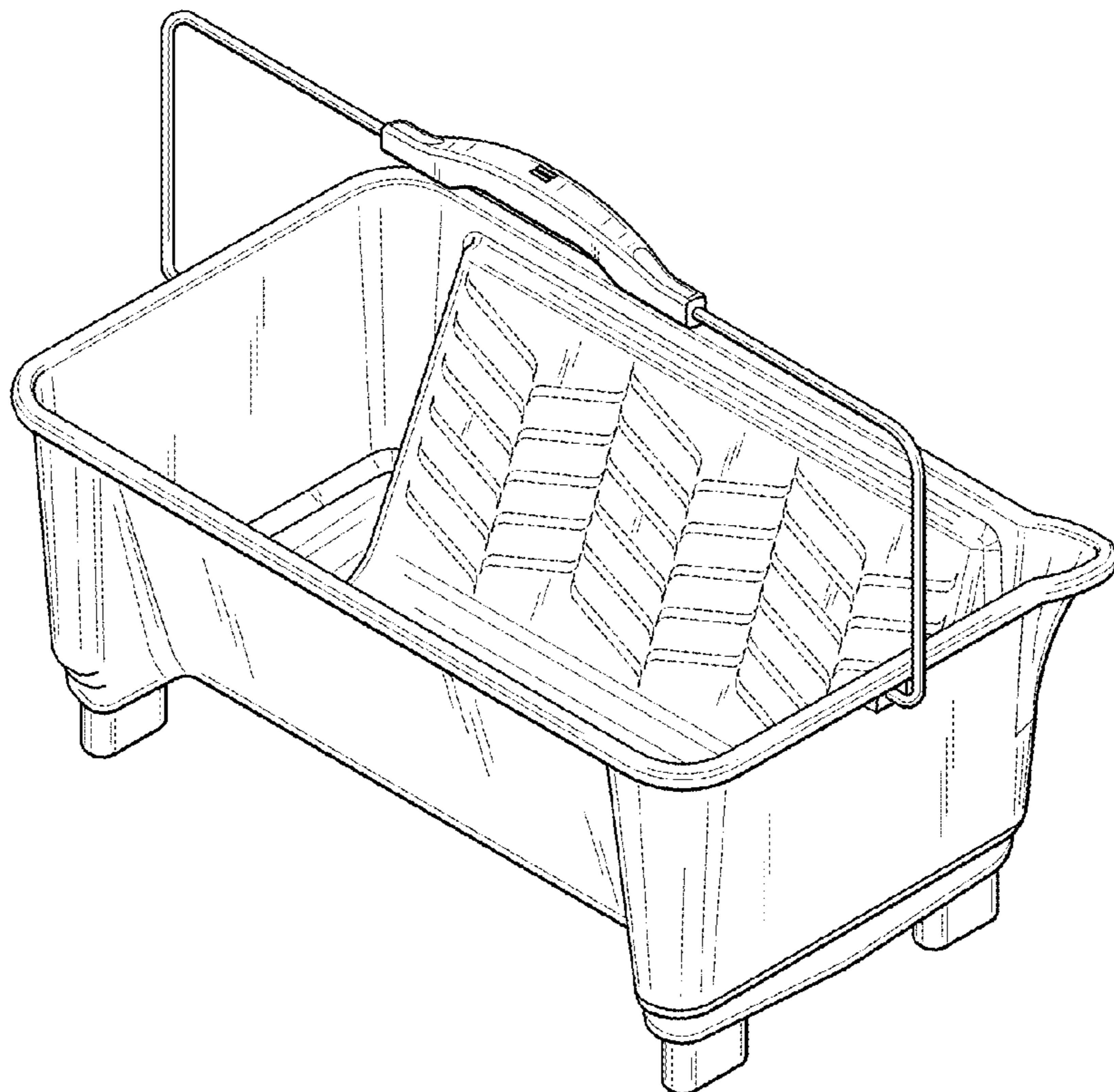
(57) **CLAIM**

The ornamental design for the bucket, as shown and described.

DESCRIPTION

FIG. 1 is a perspective view of the bucket;
FIG. 2 is a top plan view of the bucket;
FIG. 3 is a right side elevation view of the bucket;
FIG. 4 is a left side elevation view of the bucket;
FIG. 5 is a first end view of the bucket;
FIG. 6 is the view of the end opposite the first end view of the bucket; and,
FIG. 7 is a bottom plan view of the bucket.
The broken lines shown in the figures are for illustrative purposes only and form no part of the claimed design.

1 Claim, 4 Drawing Sheets



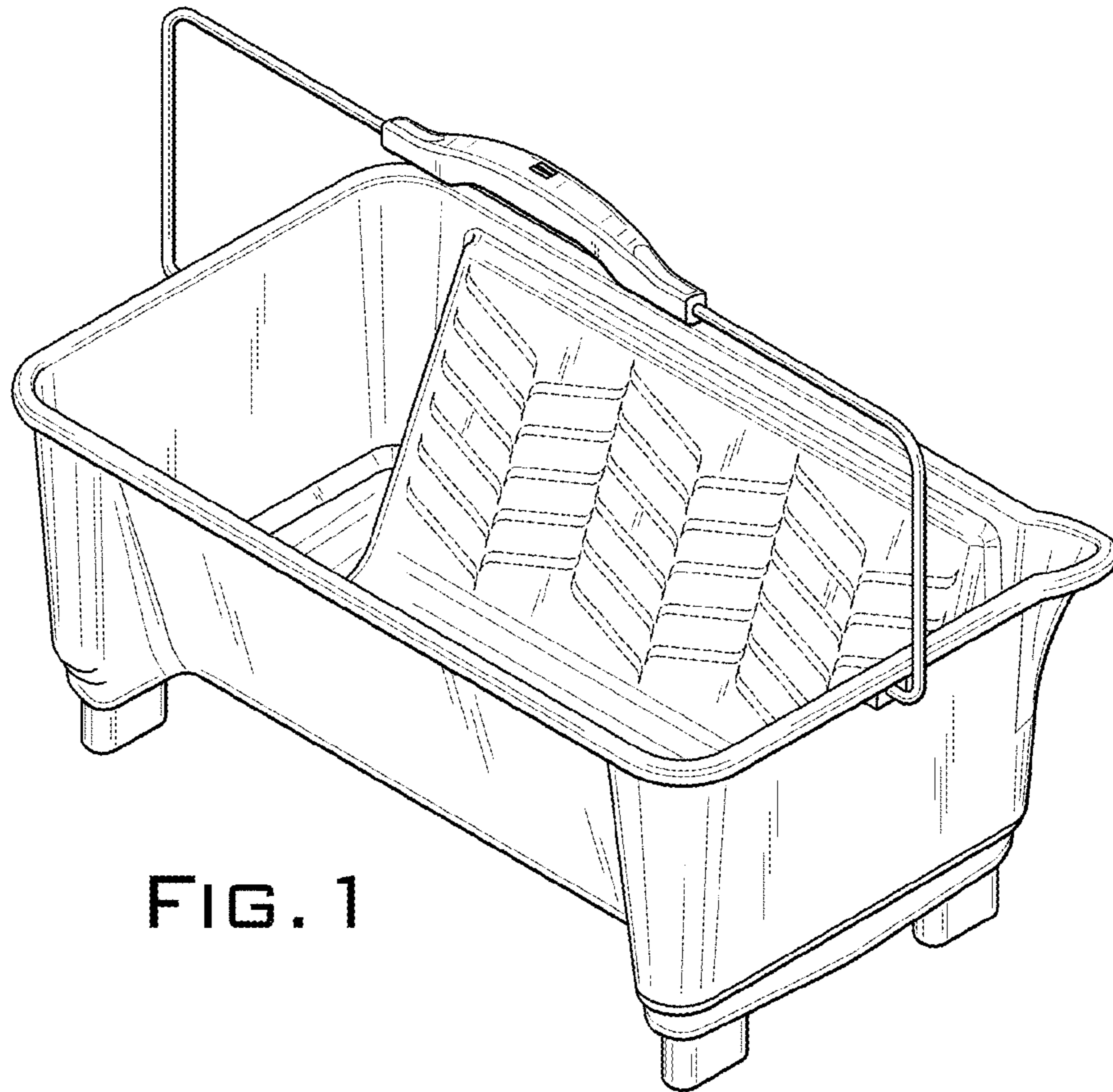


FIG. 1

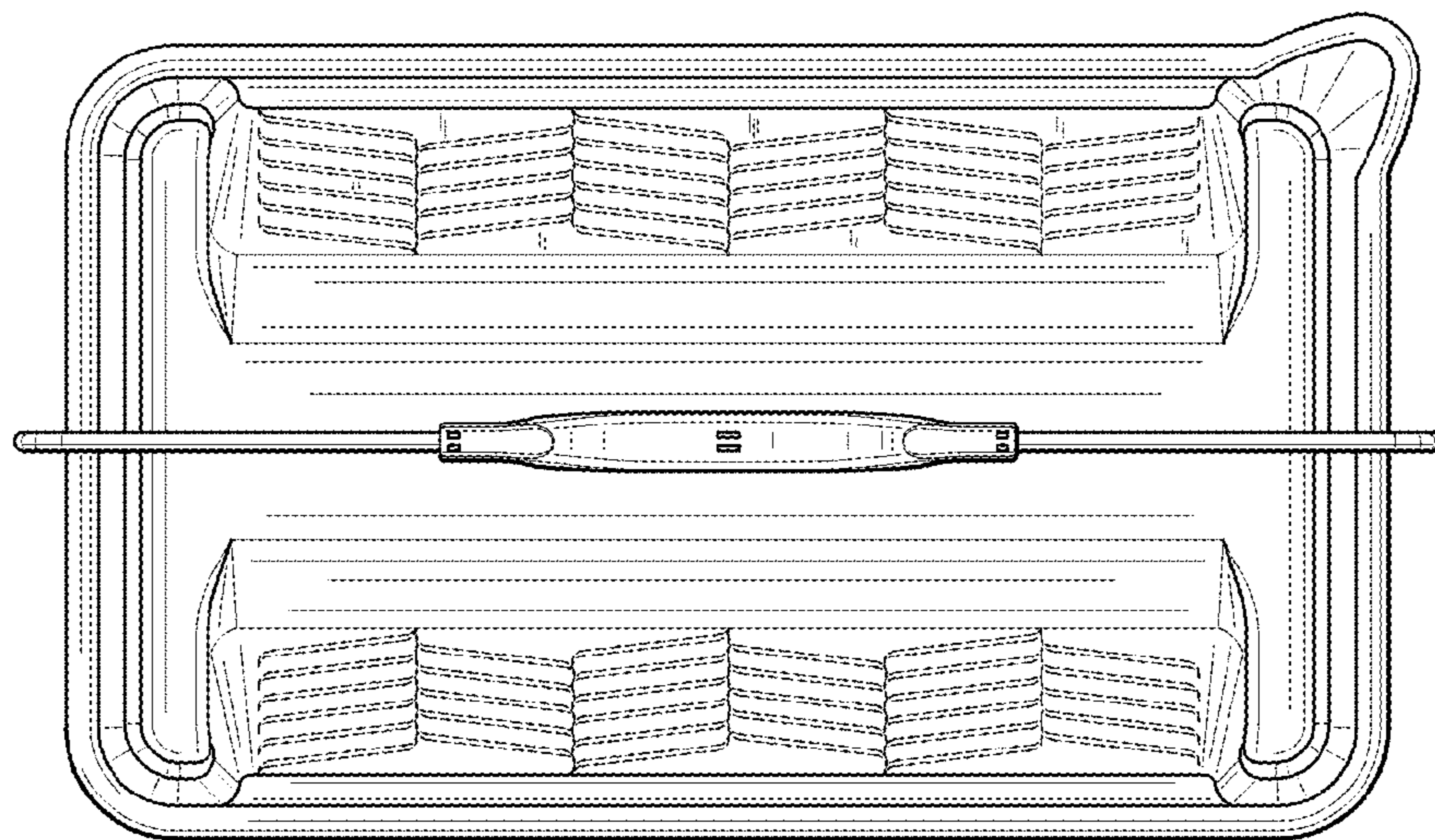


FIG. 2

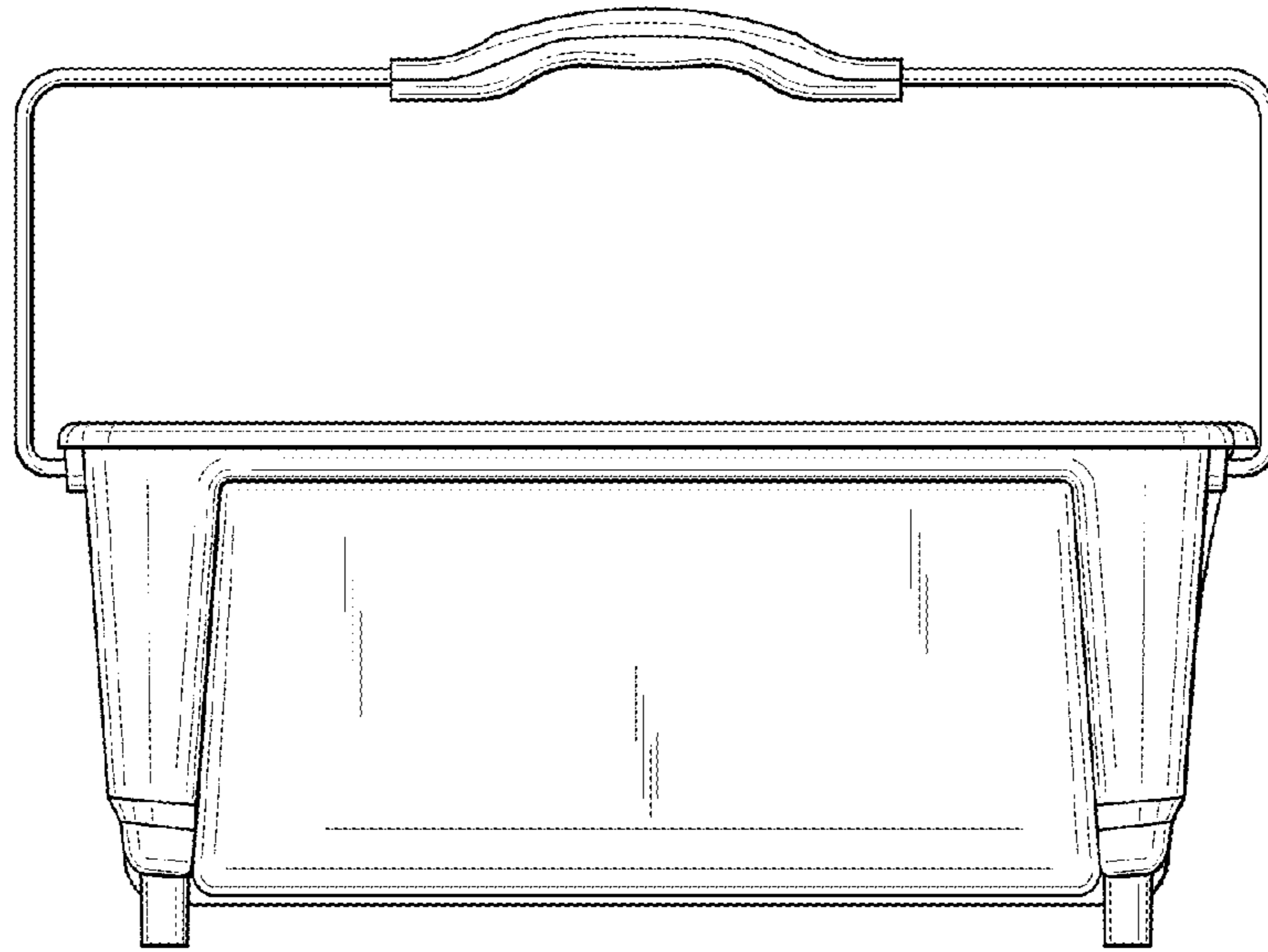


FIG. 3

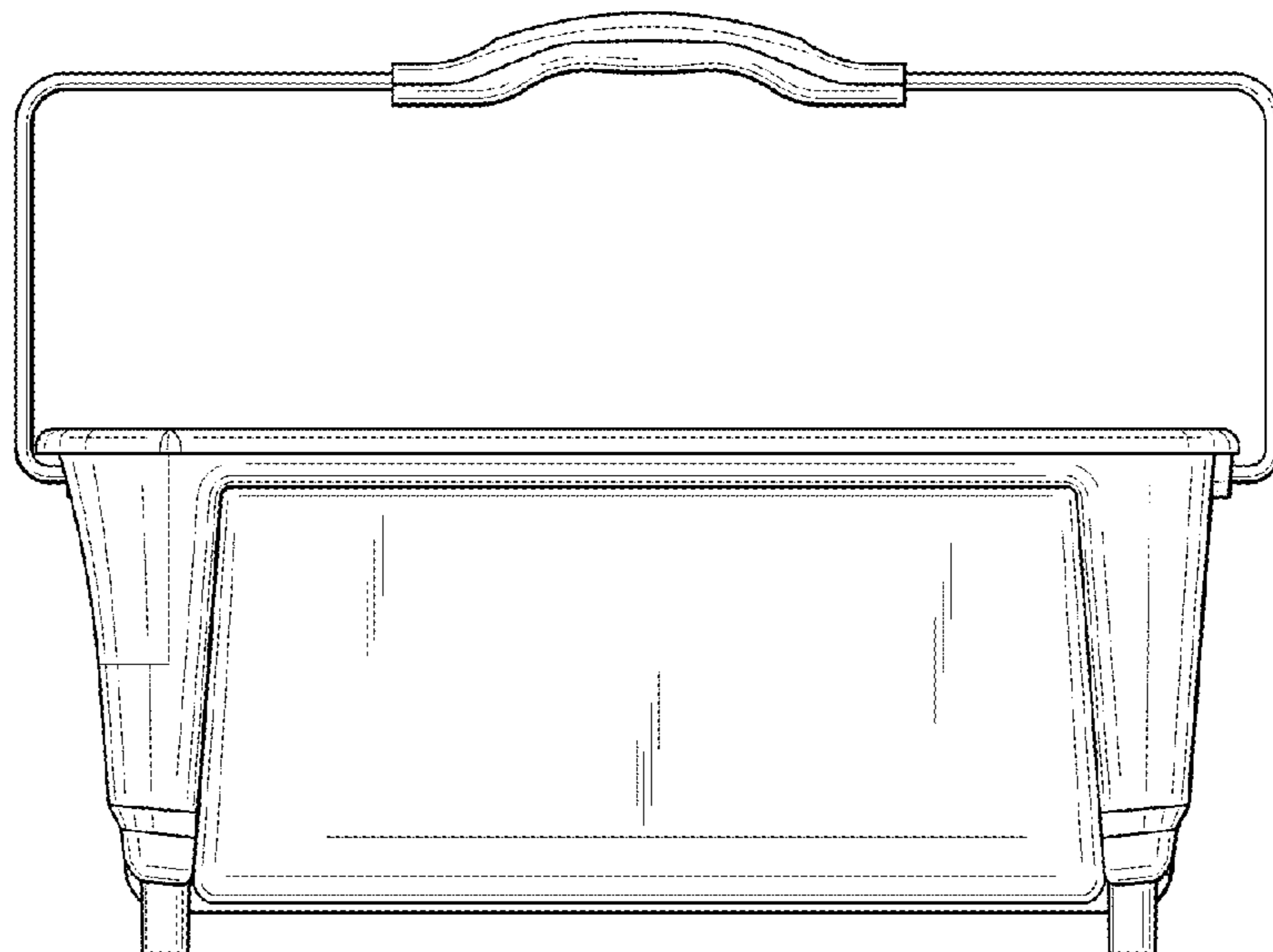


FIG. 4

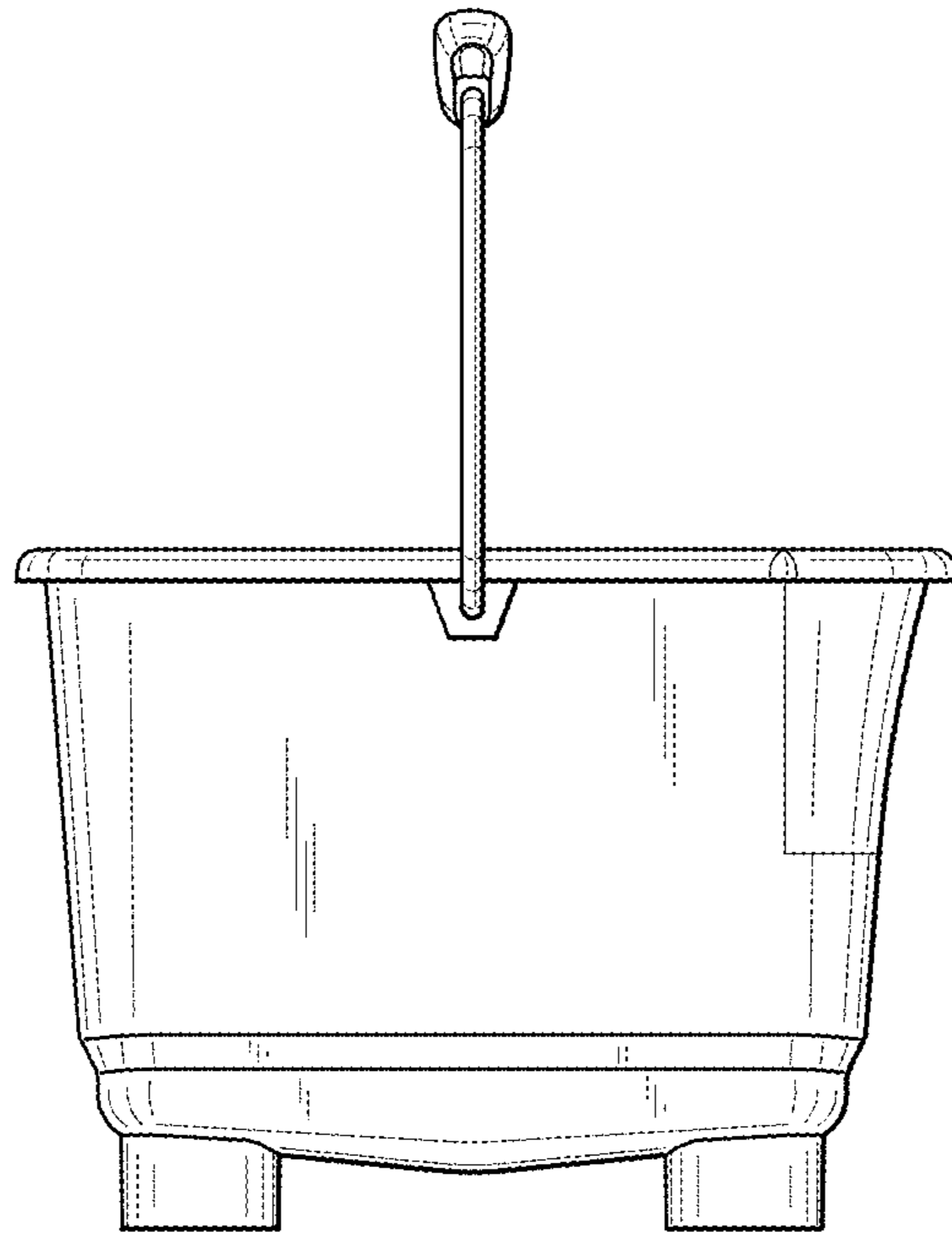


FIG. 5

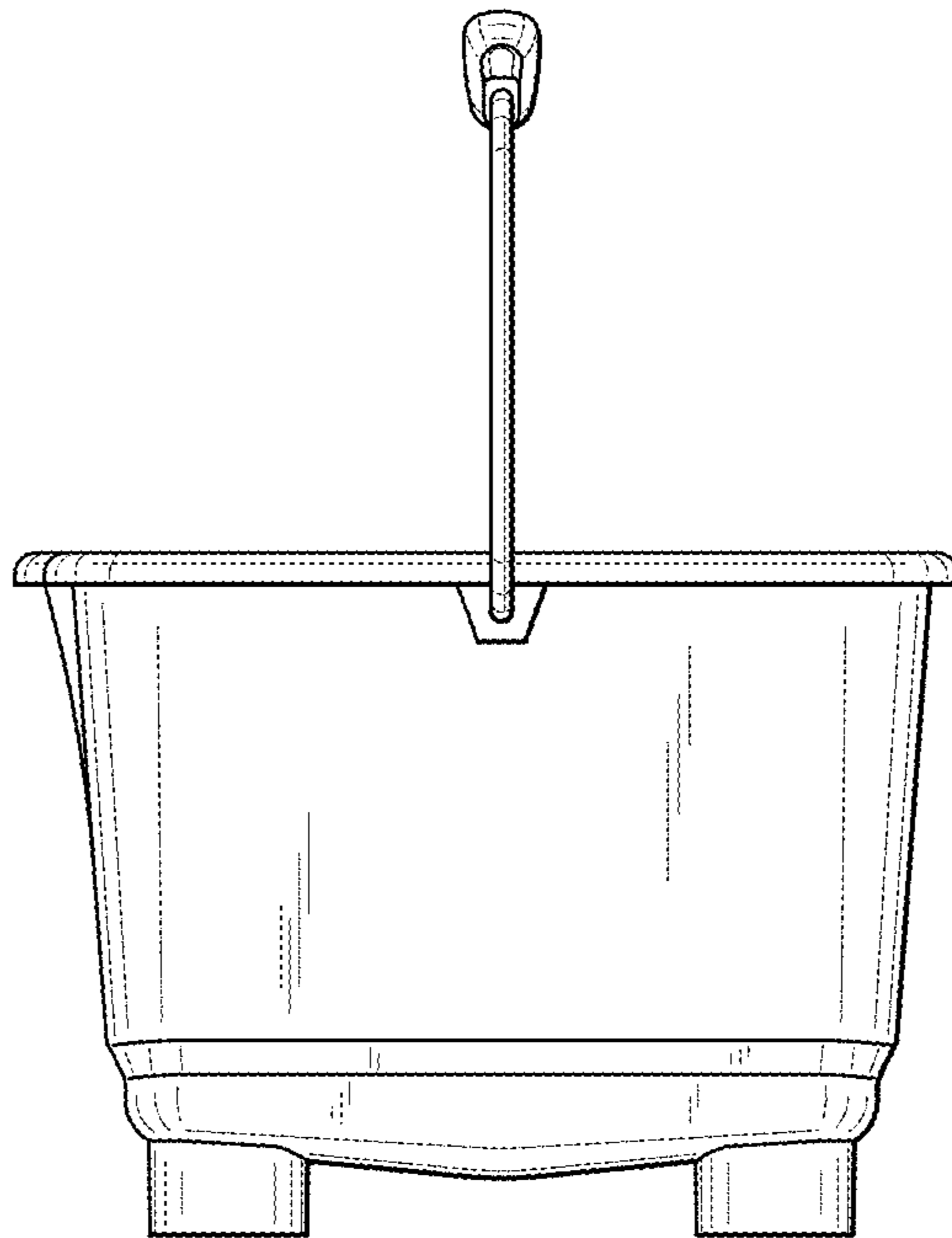


FIG. 6

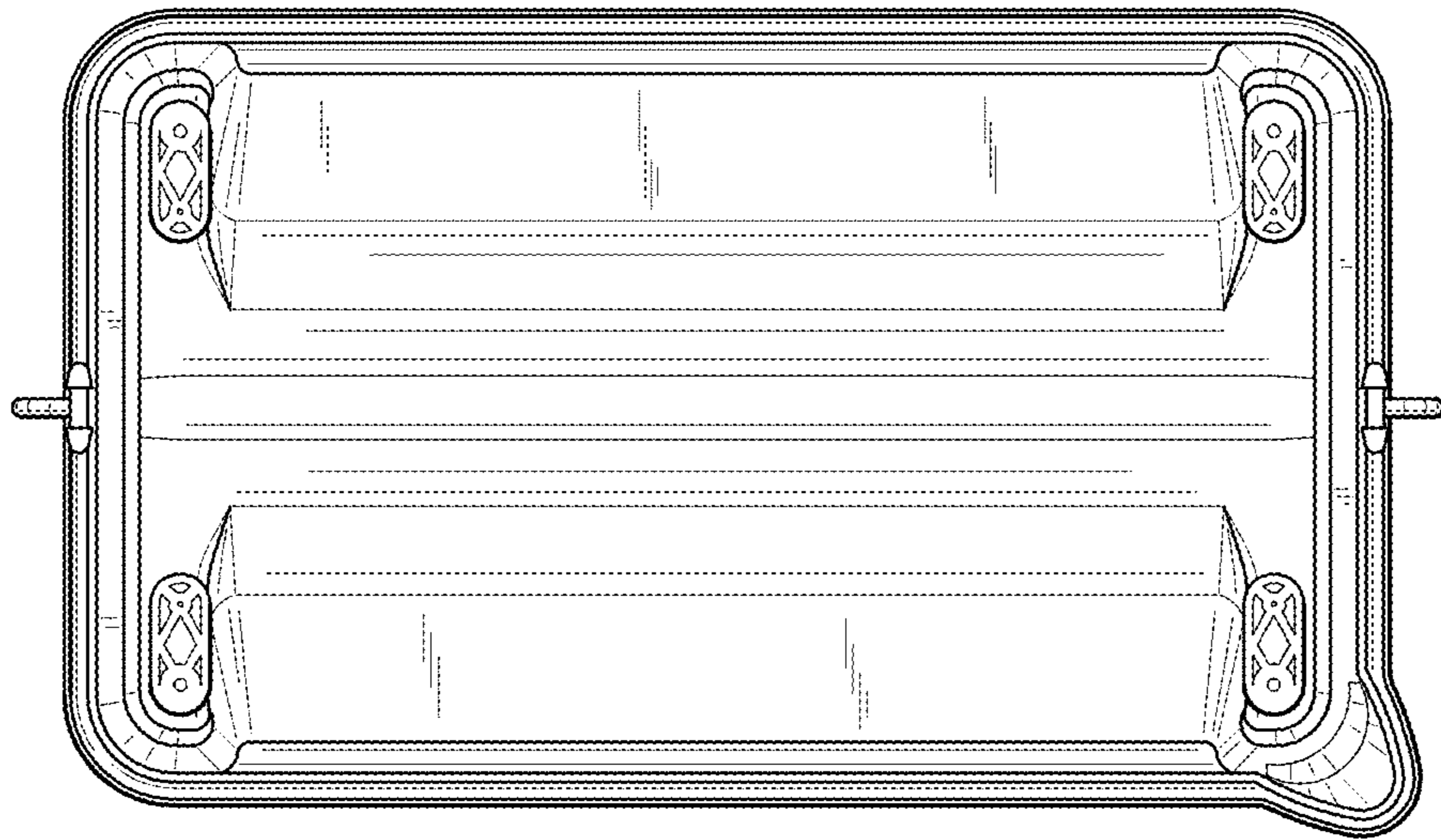


FIG. 7