

US00D694974S

(12) **United States Design Patent**
Libman et al.

(10) **Patent No.:** **US D694,974 S**
(45) **Date of Patent:** **** Dec. 3, 2013**

- (54) **MOP**
- (71) Applicant: **The Libman Company**, Arcola, IL (US)
- (72) Inventors: **Robert J. Libman**, Arcola, IL (US);
Roberto Pellacini, Torrechiara
Langhirano (IT)
- (73) Assignee: **The Libman Company**, Arcola, IL (US)
- (**) Term: **14 Years**
- (21) Appl. No.: **29/446,047**
- (22) Filed: **Feb. 20, 2013**
- (51) **LOC (9) Cl.** **04-01**
- (52) **U.S. Cl.**
USPC **D32/40; D32/50**
- (58) **Field of Classification Search**
USPC D32/40-45, 50, 51; 15/208, 209.1, 228,
15/150, 147.1; 401/137-140
See application file for complete search history.

- D633,671 S * 3/2011 Franklin et al. D32/40
- D633,674 S * 3/2011 Franklin et al. D32/40
- D661,040 S * 5/2012 Pellacini D32/50

OTHER PUBLICATIONS

Yahoo! Shopping, "Libman CO Libman 00103 Scrubster Mop",
<http://shopping.yahoo.com/940319900-libman-00103-scrubster-mop/>, published date unknown, but more than one year prior to the filing date of the present application, p. 1.

* cited by examiner

Primary Examiner — Robin V Webster

(74) *Attorney, Agent, or Firm* — Banner & Witcoff, Ltd.

(57) **CLAIM**

The ornamental design for a mop, as shown and described.

DESCRIPTION

FIG. 1 is a top, front, right perspective view of a mop showing our new design;

FIG. 2 is a front view thereof;

FIG. 3 is a right side view thereof;

FIG. 4 is a left side view thereof; and,

FIG. 5 is a bottom view thereof.

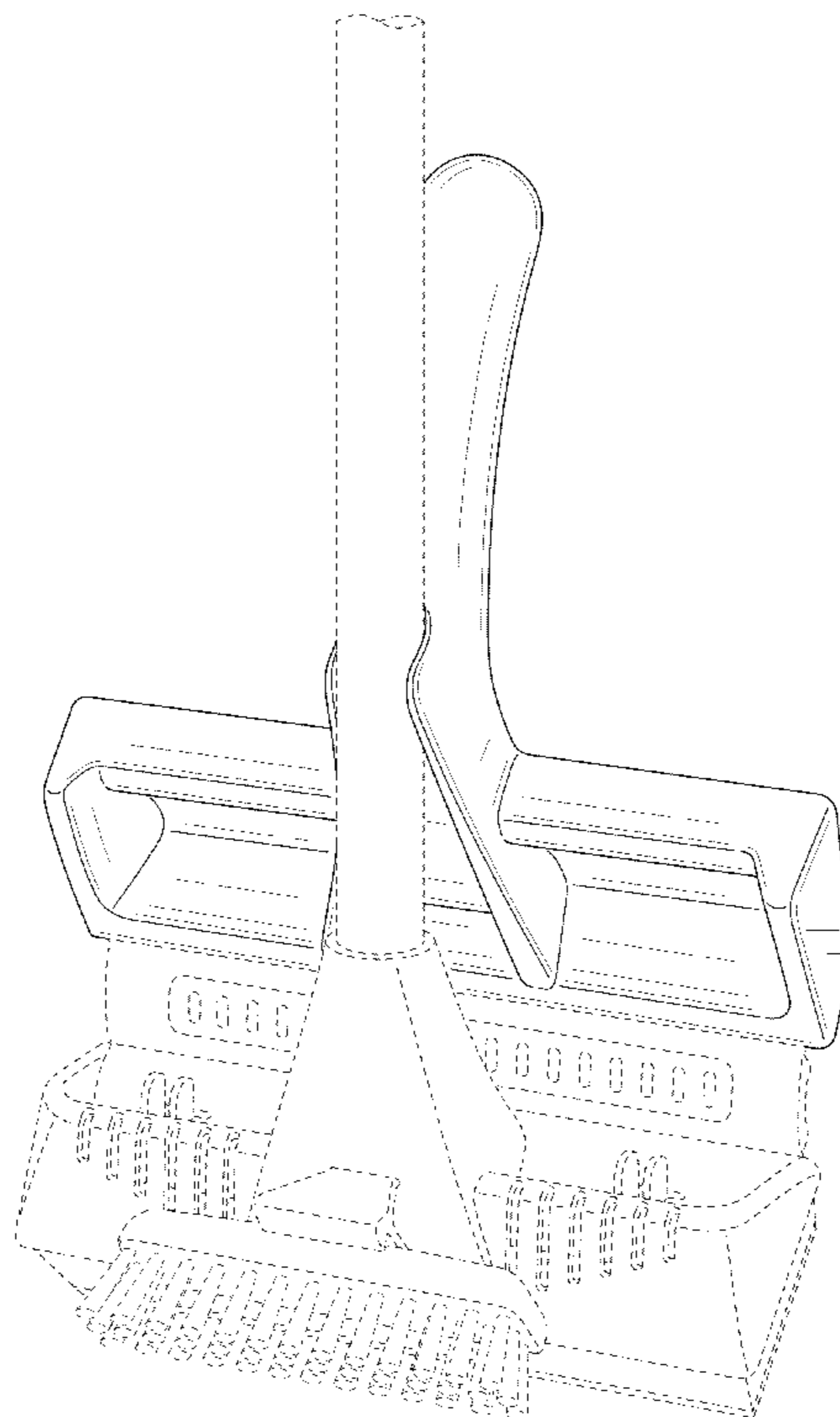
The broken lines immediately adjacent to the shaded area represent unclaimed boundaries of the design. The broken lines showing the remainder of the mop are for environmental purposes only and form no part of the claimed design.

1 Claim, 5 Drawing Sheets

(56) **References Cited**

U.S. PATENT DOCUMENTS

- D358,244 S * 5/1995 Teufel et al. D32/44
- D446,896 S * 8/2001 Cann D32/40
- D497,230 S * 10/2004 Berti D32/50
- D520,698 S * 5/2006 Libman et al. D32/50
- D547,512 S * 7/2007 Hay D32/42
- D606,270 S * 12/2009 Weis et al. D32/50
- D607,169 S * 12/2009 Weis et al. D32/50



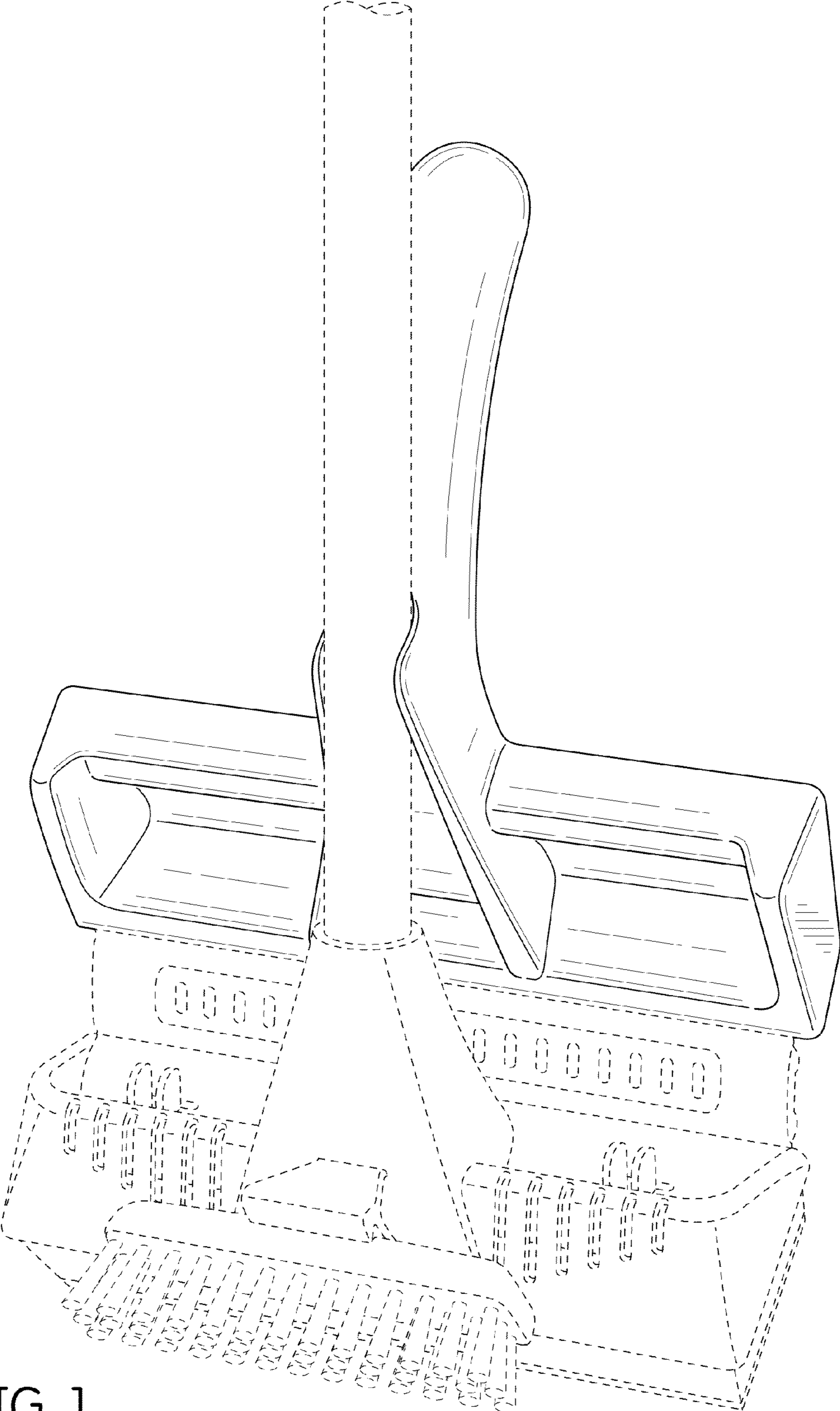


FIG. 1

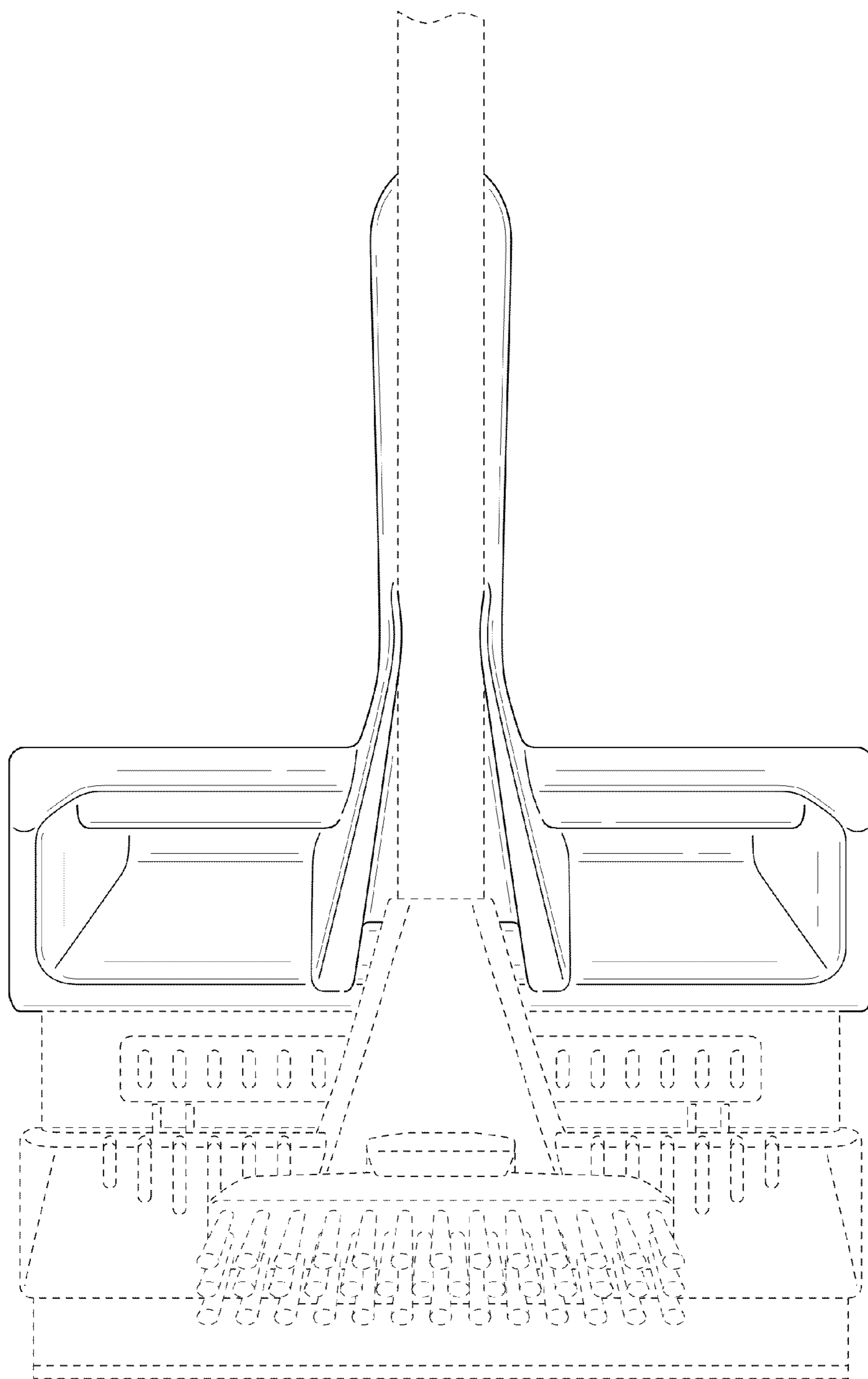


FIG. 2

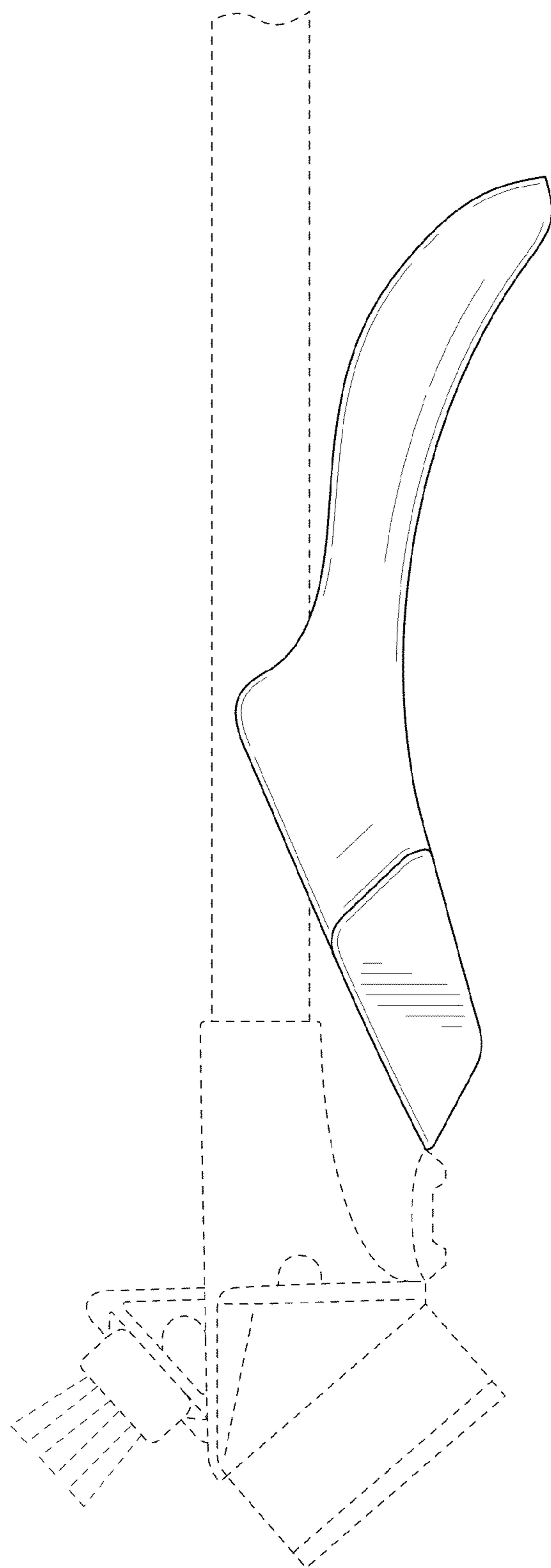


FIG. 3

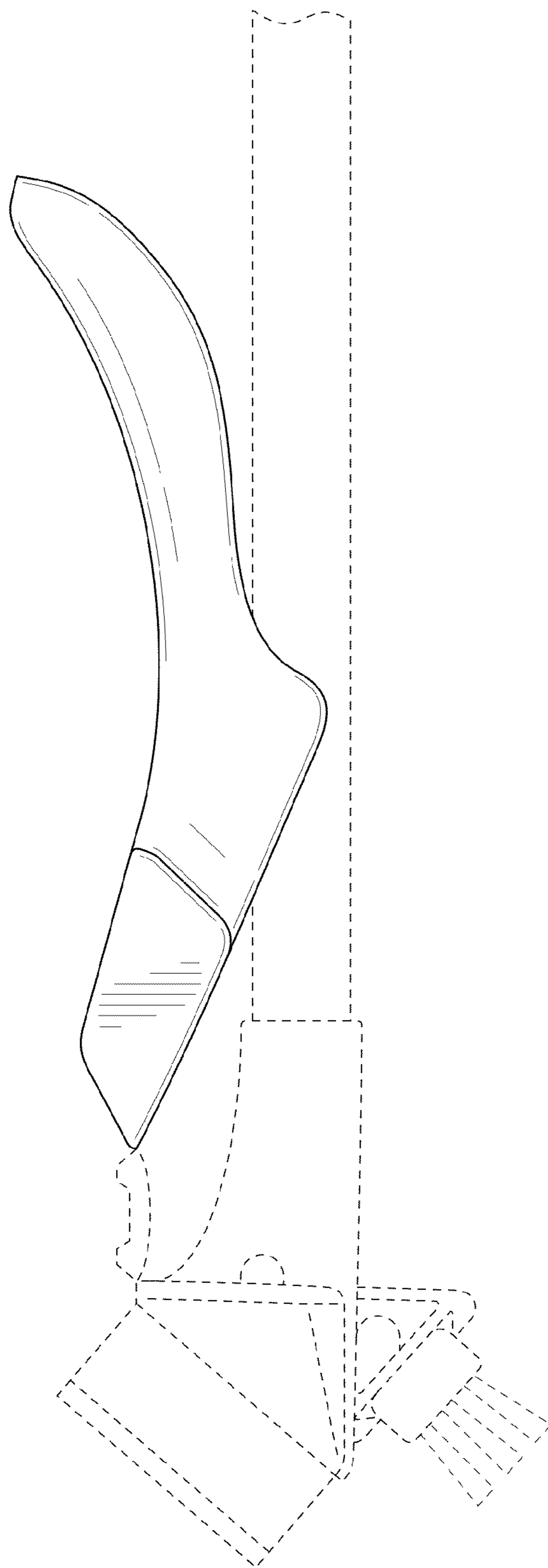


FIG. 4

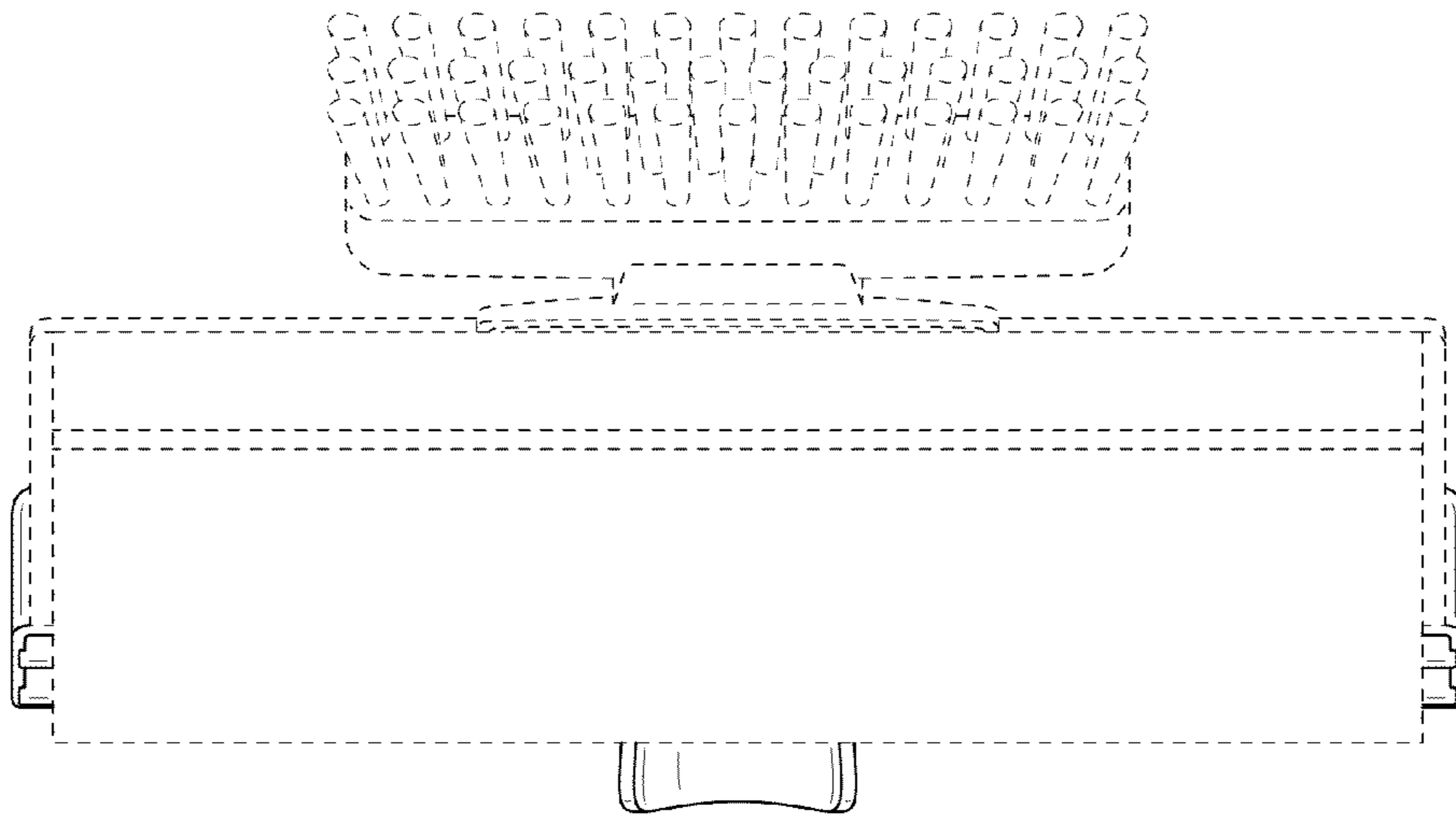


FIG. 5