



US00D694973S

(12) **United States Design Patent**  
**Libman et al.**

(10) **Patent No.:** **US D694,973 S**  
(45) **Date of Patent:** **\*\* Dec. 3, 2013**

- (54) **MOP**
- (71) Applicant: **The Libman Company**, Arcola, IL (US)
- (72) Inventors: **Robert J. Libman**, Arcola, IL (US);  
**Roberto Pellacini**, Torrechiara  
Langhirano (IT)
- (73) Assignee: **The Libman Company**, Arcola, IL (US)
- (\*\*) Term: **14 Years**
- (21) Appl. No.: **29/446,044**
- (22) Filed: **Feb. 20, 2013**
- (51) **LOC (9) Cl.** ..... **04-01**
- (52) **U.S. Cl.**  
USPC ..... **D32/40; D32/50**
- (58) **Field of Classification Search**  
USPC ..... D32/40-45, 50, 51; 15/208, 209.1, 228,  
15/150, 147.1; 401/137-140  
See application file for complete search history.

D607,169	S	*	12/2009	Weis et al.	.....	D32/50
D633,671	S	*	3/2011	Franklin et al.	.....	D32/40
D633,674	S	*	3/2011	Franklin et al.	.....	D32/40
D661,040	S	*	5/2012	Pellacini	.....	D32/50

**OTHER PUBLICATIONS**

Yahoo! Shopping, "Libman CO Libman 00103 Scrubster Mop",  
<http://shopping.yahoo.com/940319900-libman-00103-scrubster-mop/>, published date unknown, but more than one year prior to the filing date of the present application, p. 1.

\* cited by examiner

*Primary Examiner* — Robin V Webster

(74) *Attorney, Agent, or Firm* — Banner & Witcoff, Ltd.

(57) **CLAIM**

The ornamental design for a mop, as shown and described.

**DESCRIPTION**

FIG. 1 is a top, front, right perspective view of a mop showing our new design;  
FIG. 2 is a front view thereof;  
FIG. 3 is a right side view thereof;  
FIG. 4 is a left side view thereof;  
FIG. 5 is a top view thereof; and,  
FIG. 6 is a bottom view thereof.

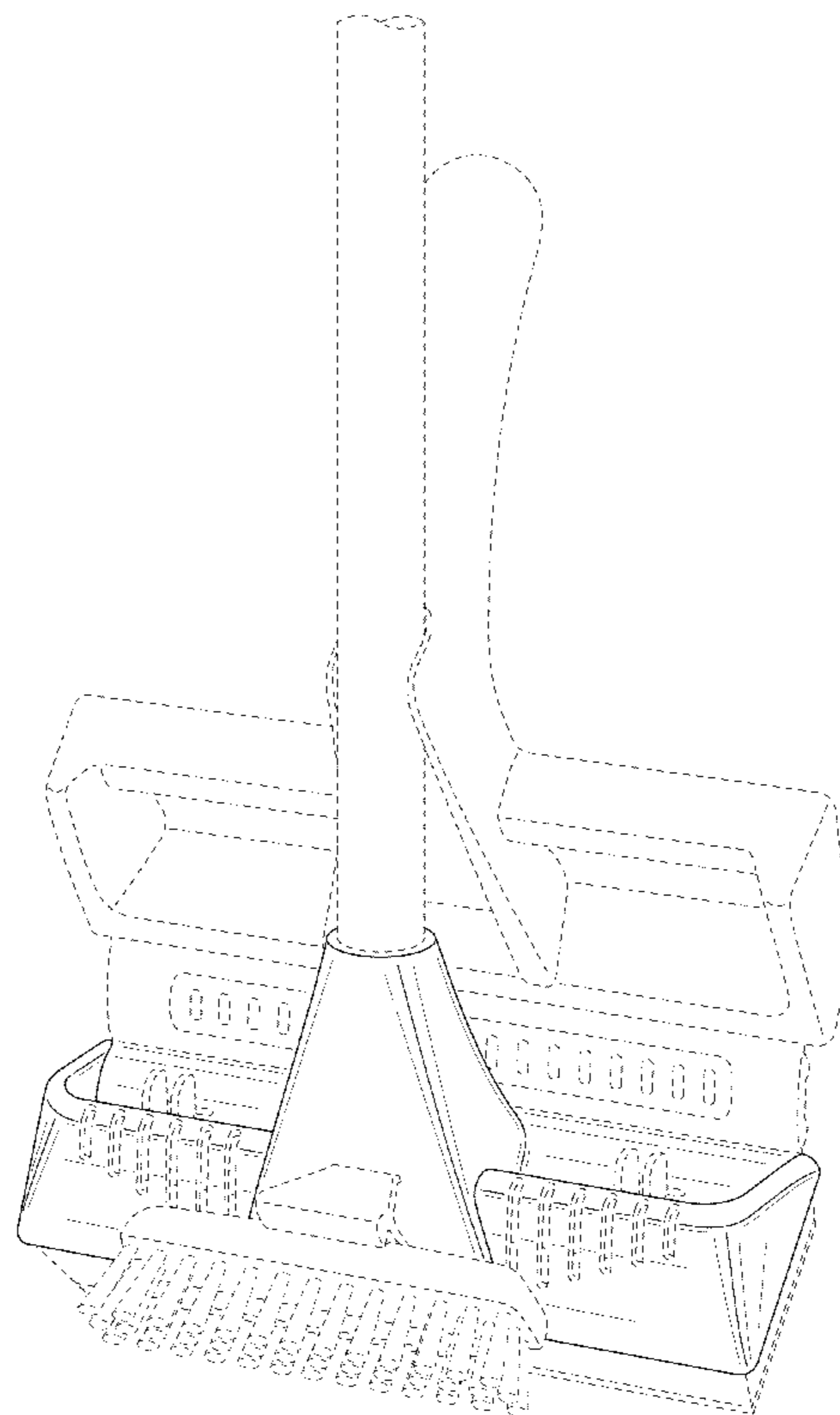
The broken lines immediately adjacent to the shaded area represent unclaimed boundaries of the design. The broken lines showing the remainder of the mop are for environmental purposes only and form no part of the claimed design.

**1 Claim, 5 Drawing Sheets**

(56) **References Cited**

**U.S. PATENT DOCUMENTS**

D358,244	S	*	5/1995	Teufel et al.	.....	D32/44
D446,896	S	*	8/2001	Cann	.....	D32/40
D497,230	S	*	10/2004	Berti	.....	D32/50
D520,698	S	*	5/2006	Libman et al.	.....	D32/50
D547,512	S	*	7/2007	Hay	.....	D32/42
D606,270	S	*	12/2009	Weis et al.	.....	D32/50



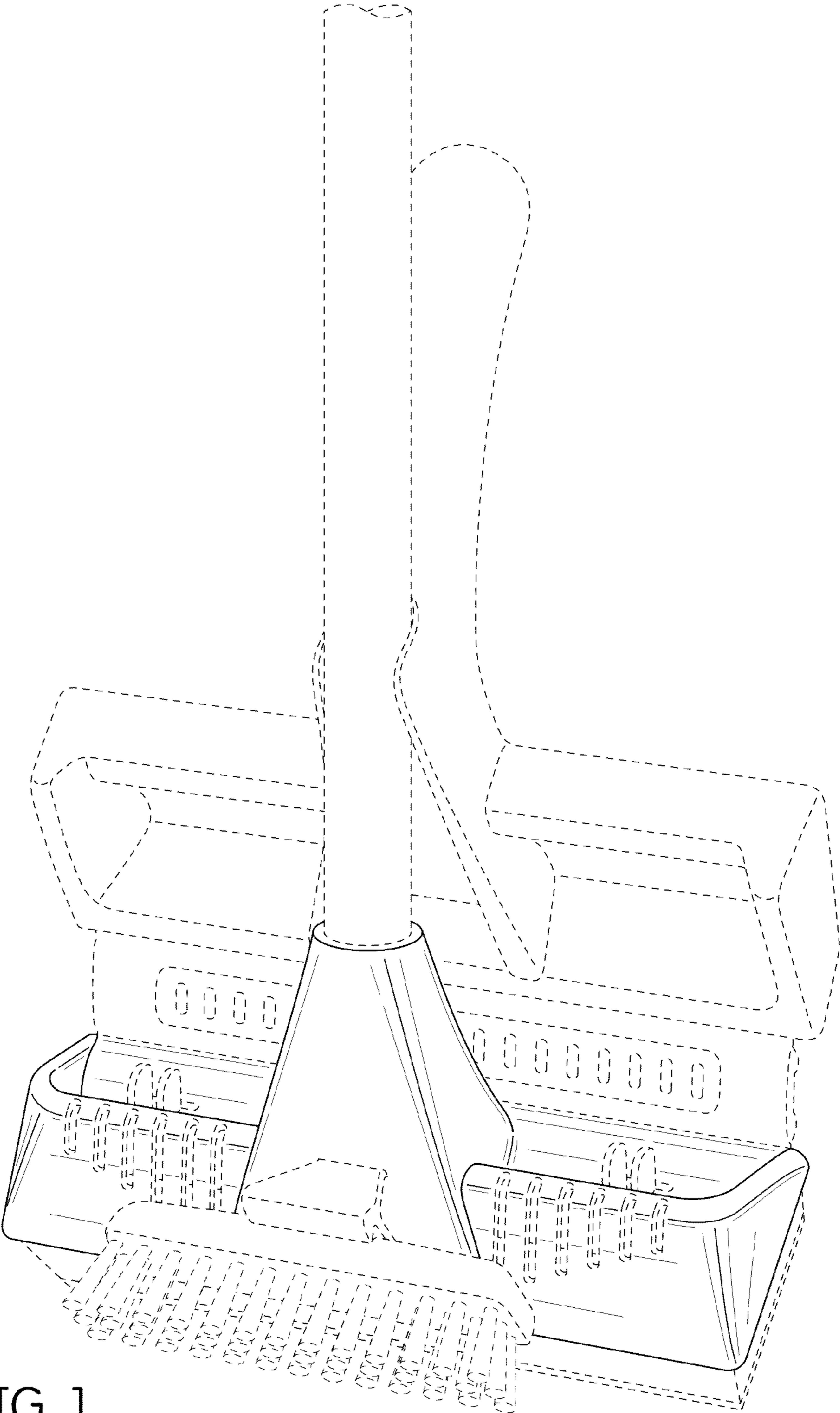


FIG. 1

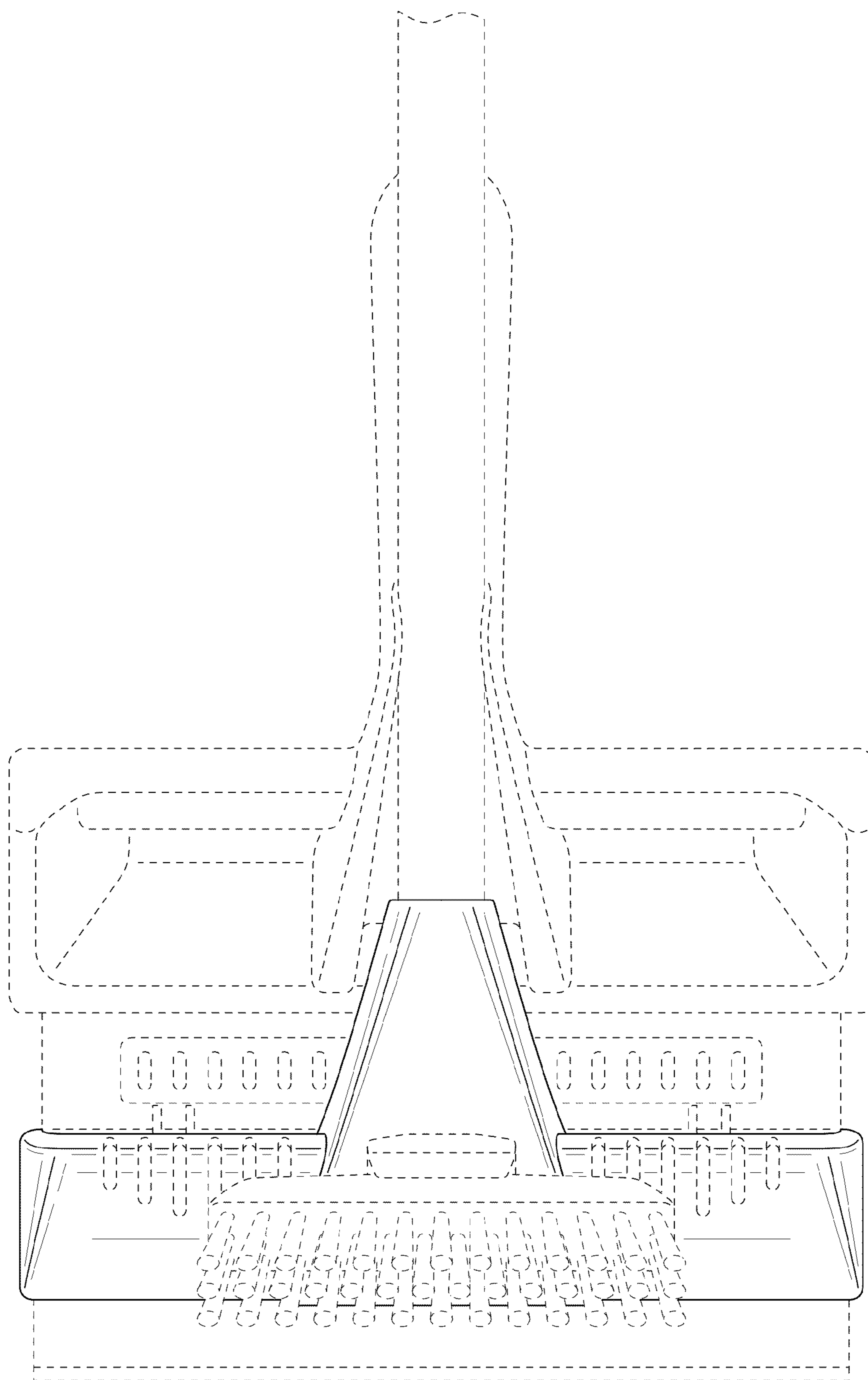


FIG. 2

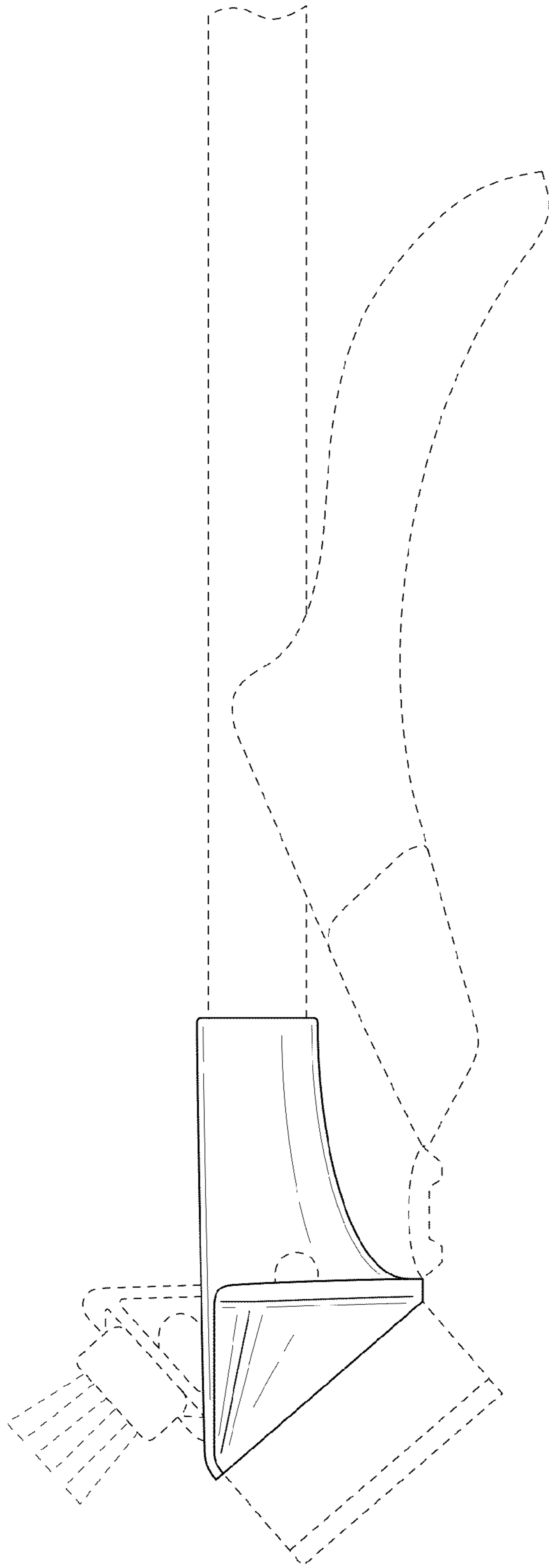


FIG. 3

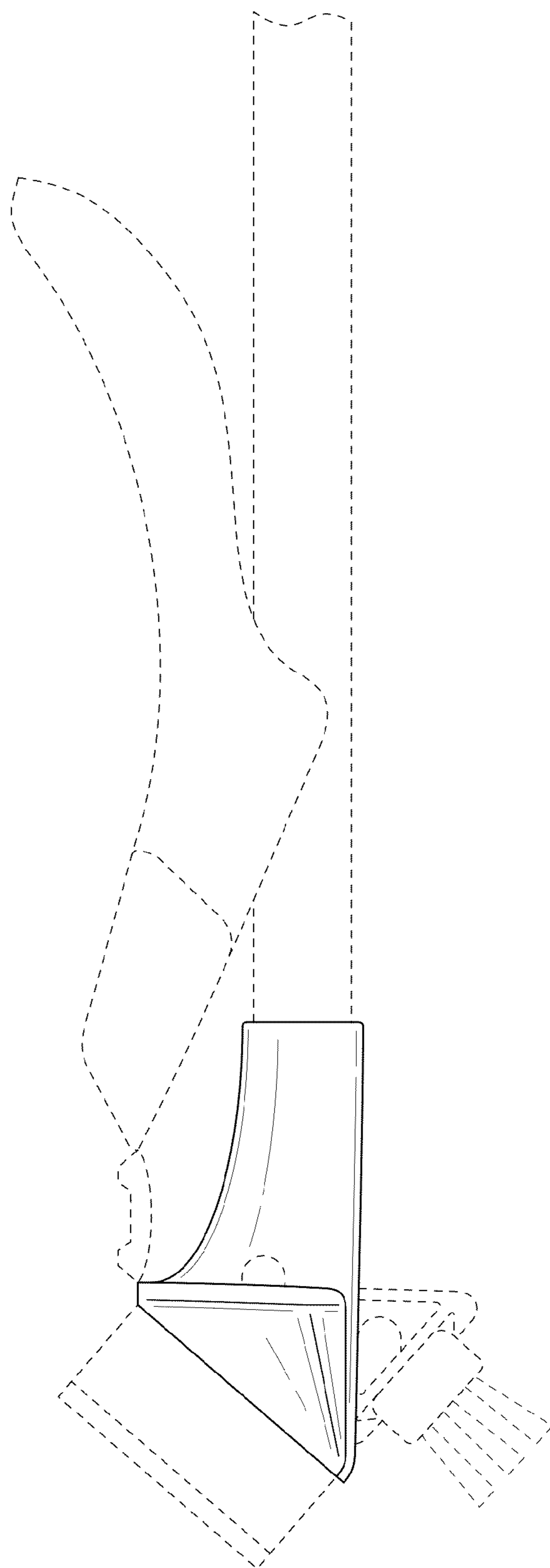


FIG. 4

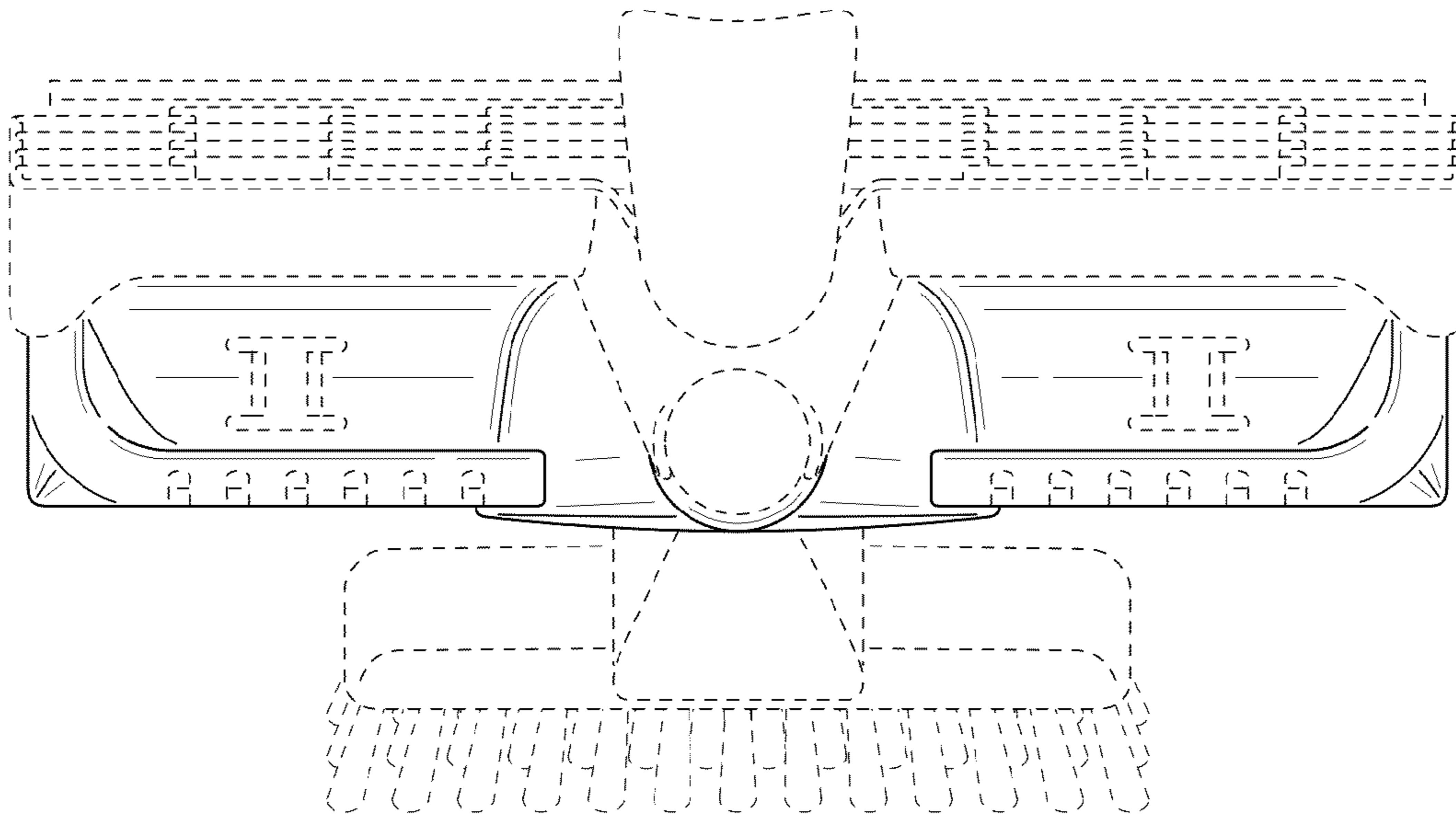


FIG. 5

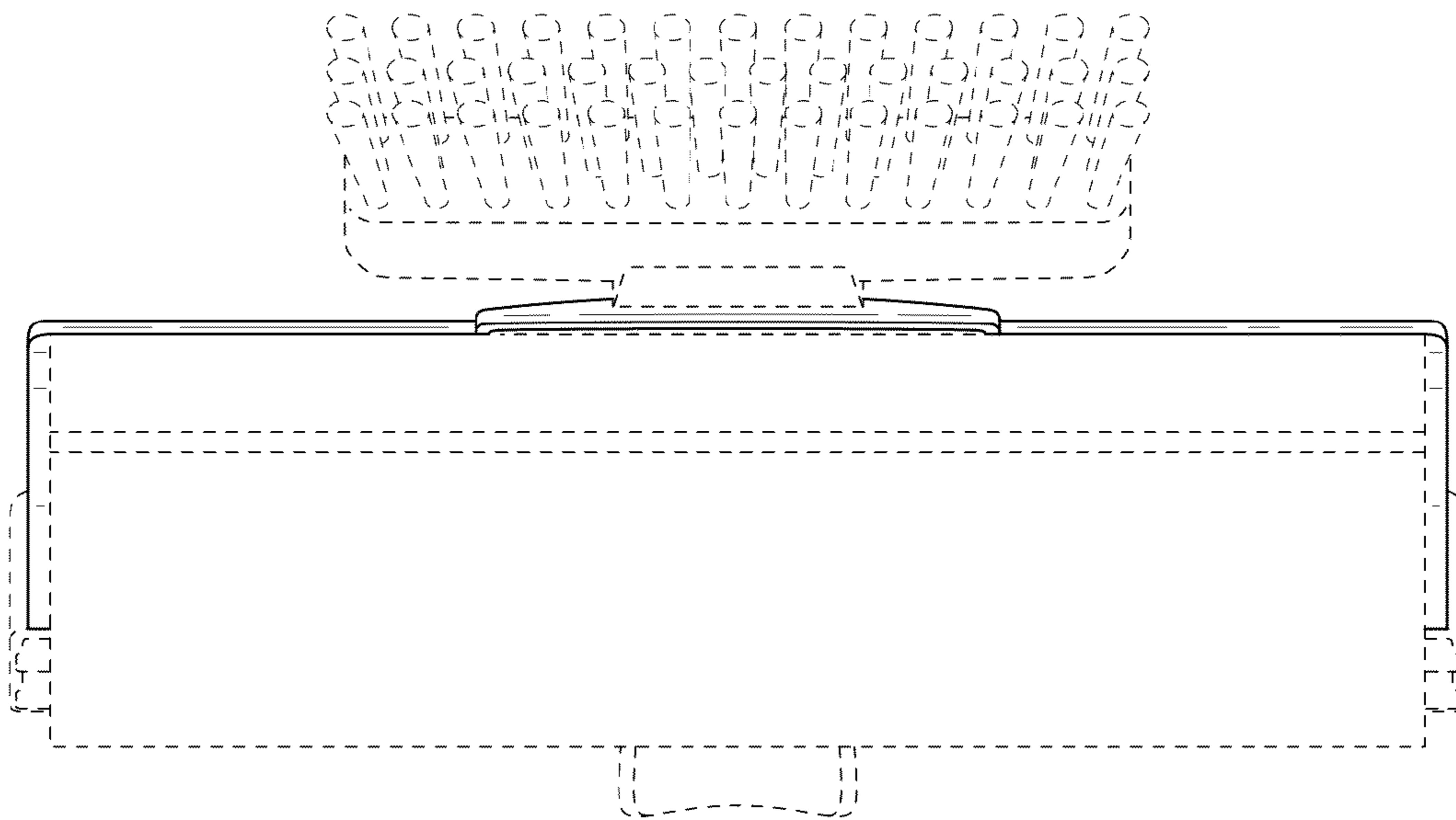


FIG. 6