

US00D694968S

(12) **United States Design Patent**
Dammkoehler

(10) **Patent No.:** **US D694,968 S**

(45) **Date of Patent:** **** Dec. 3, 2013**

(54) **HIGH-PRESSURE CLEANER**

(75) Inventor: **Denis Dammkoehler**, Backnang (DE)

(73) Assignee: **Alfred Kaercher GmbH & Co. KG**,
Winnenden (DE)

(**) Term: **14 Years**

(21) Appl. No.: **29/430,688**

(22) Filed: **Aug. 29, 2012**

(30) **Foreign Application Priority Data**

Mar. 7, 2012 (WO) DM/077 896

(51) **LOC (9) Cl.** **15-05**

(52) **U.S. Cl.**
USPC **D32/15**

(58) **Field of Classification Search**
USPC D32/1, 4, 15-18, 21; D23/223, 225,
D23/226; 15/320-323, 340.1, 340.2;
239/146-149, 722; 417/360, 363, 364
See application file for complete search history.

(56) **References Cited**

U.S. PATENT DOCUMENTS

D551,812 S *	9/2007	Renner	D32/15
D551,813 S *	9/2007	Renner	D32/15
D551,814 S *	9/2007	Renner	D32/15
D556,959 S *	12/2007	Li	D32/15
D559,481 S *	1/2008	Renner	D32/15
D560,046 S *	1/2008	Renner	D32/15
D563,612 S *	3/2008	Li	D32/15
D564,147 S *	3/2008	Li	D32/15
D570,060 S *	5/2008	Renner et al.	D32/15
D591,014 S *	4/2009	Li	D32/15
D614,822 S *	4/2010	Gebhardt et al.	D32/21
D630,390 S *	1/2011	Meyer	D32/15

D647,256 S *	10/2011	Alexander et al.	D32/15
D647,672 S *	10/2011	Alexander et al.	D32/15
D648,493 S *	11/2011	Alexander et al.	D32/15
D660,525 S *	5/2012	Alexander et al.	D32/15
D661,438 S *	6/2012	Alexander et al.	D32/15

OTHER PUBLICATIONS

Extract from catalog of Alfred Kaercher GmbH & Co. KG, "Programme 2008", cover, pp. 19, 21-33, 95-103 and last page (Dec. 2007).

Extract from catalog of Alfred Kaercher GmbH & Co. KG, "Programme 2009 Residential", cover, pp. 10-27 and last page (Mar. 2009).

Extract from catalog of Alfred Kaercher GmbH & Co. KG, "Programme 2009 Professional Commercial", cover, pp. 10-17 and last page (Mar. 2009).

(Continued)

Primary Examiner — T. Chase Nelson

Assistant Examiner — Kathleen M Sims

(74) *Attorney, Agent, or Firm* — Lipsitz & McAllister, LLC

(57) **CLAIM**

The ornamental design for a high-pressure cleaner, as shown and described.

DESCRIPTION

FIG. 1 is a front, top and left side perspective view of a high-pressure cleaner showing my new design;

FIG. 2 is a front, top and right side perspective view thereof;

FIG. 3 is a front elevational view thereof;

FIG. 4 is a left side elevational view thereof;

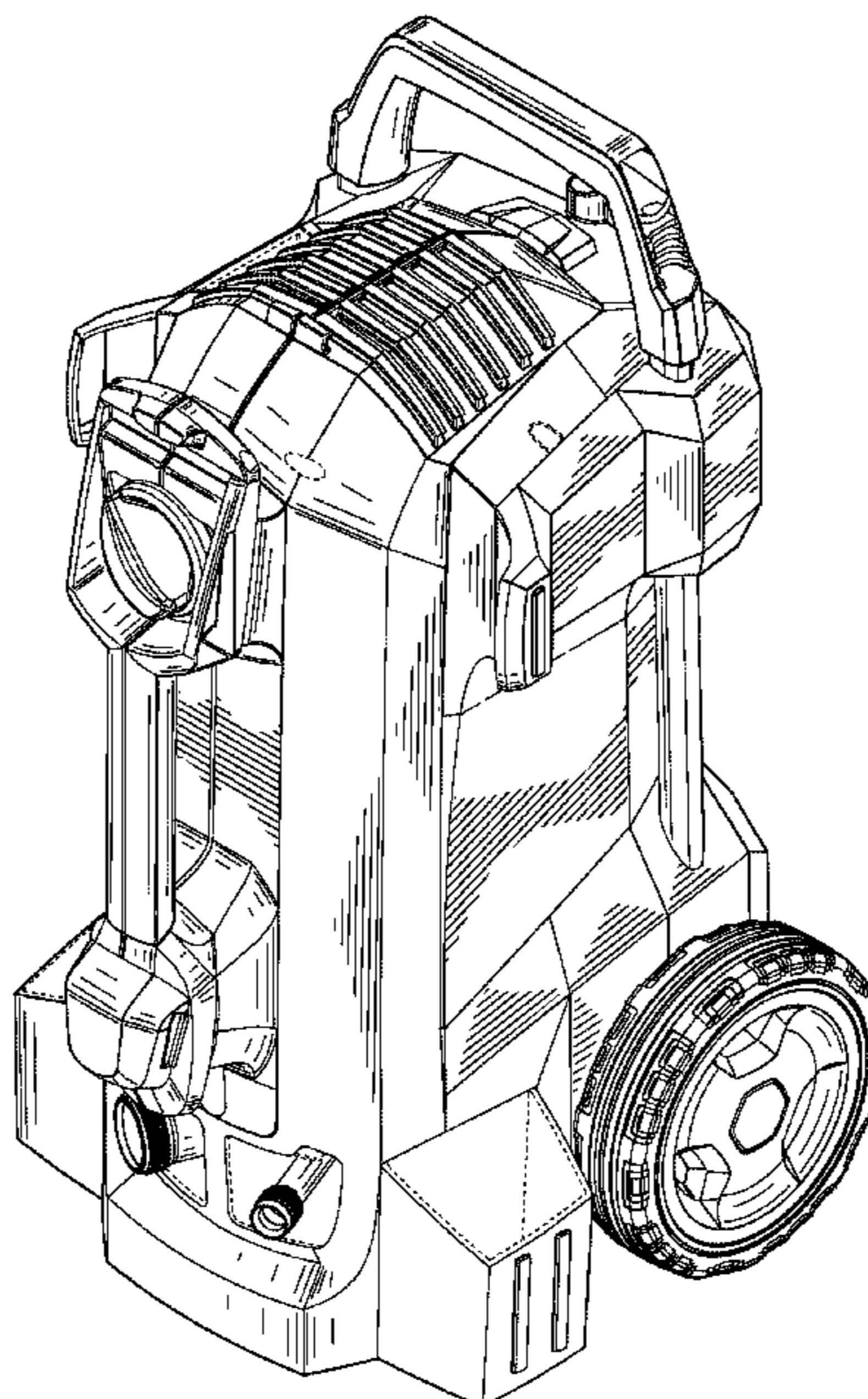
FIG. 5 is a rear elevational view thereof;

FIG. 6 is a right side elevational view thereof; and,

FIG. 7 is a top plan view thereof.

The broken line showing of various elements in the drawings forms no part of the claimed design.

1 Claim, 7 Drawing Sheets



(56)

References Cited

OTHER PUBLICATIONS

Extract from catalog of Alfred Kaercher GmbH & Co. KG, "Programme 2010 Kaercher Home & Garden", cover, pp. 10-24 and last page (Nov. 2009).

Extract from catalog of Alfred Kaercher GmbH & Co. KG, "Programme 2010 Professional", cover, pp. 10-18, 21, 25 and last page (Nov. 2009).

Extract from catalog of Alfred Kaercher GmbH & Co. KG, "Programme 2011 Professional", cover, pp. 12-19, 24, 26-27 and last page (Nov. 2010).

Extract from catalog of Alfred Kaercher GmbH & Co. KG, "Programme 2011 Kaercher Home & Garden", cover, pp. 12-31 and last page (Nov. 2010).

* cited by examiner

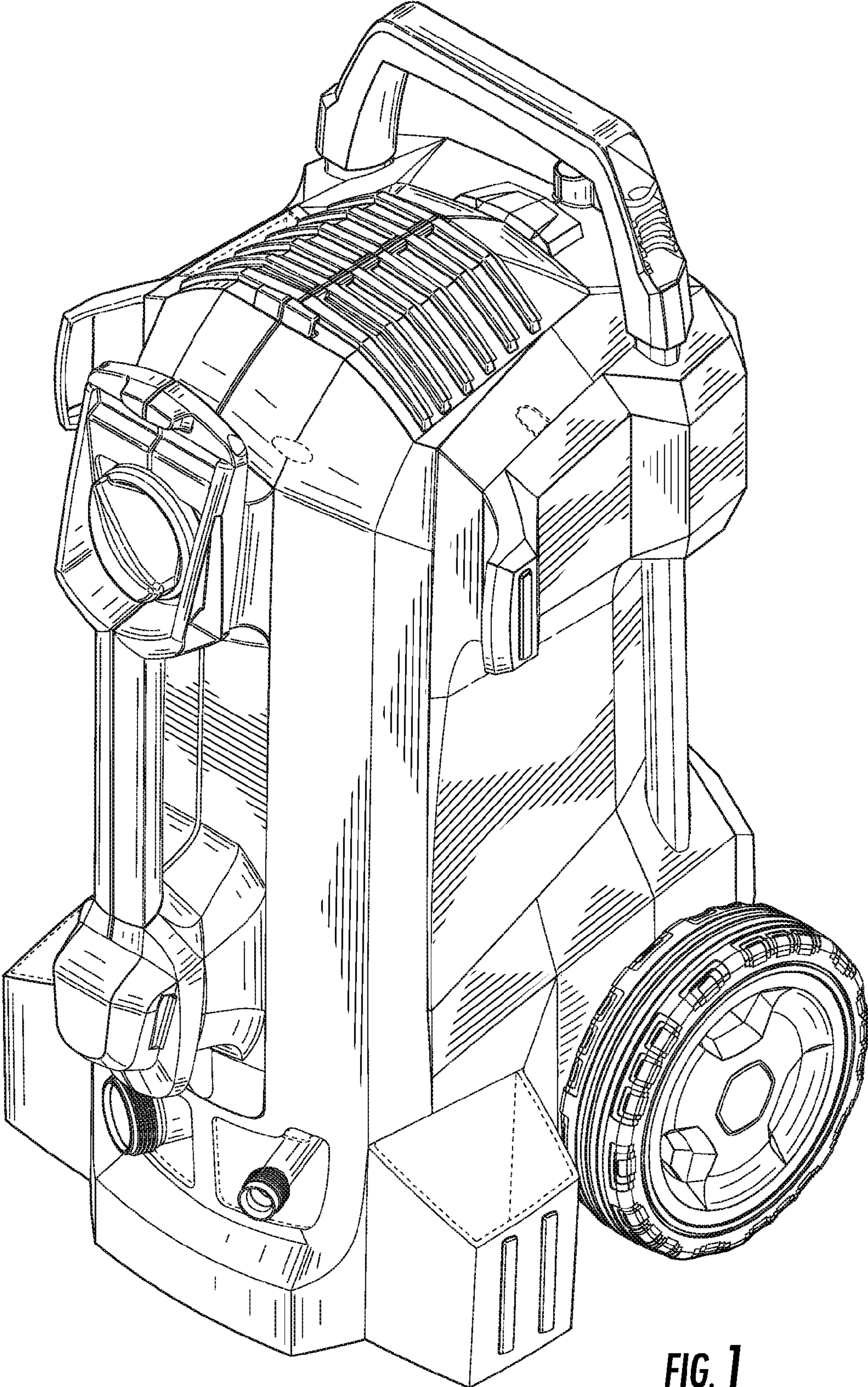


FIG. 1

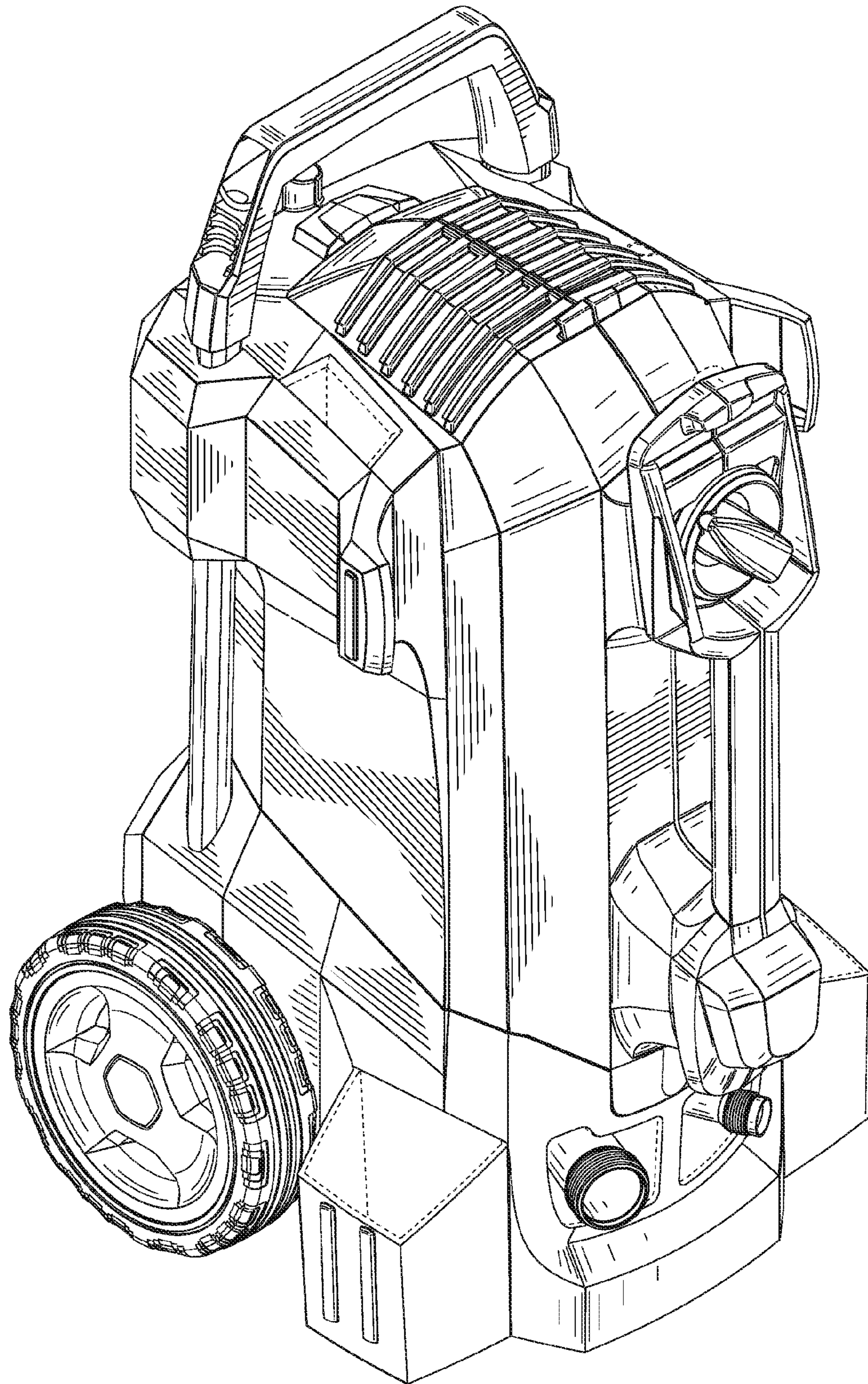


FIG. 2

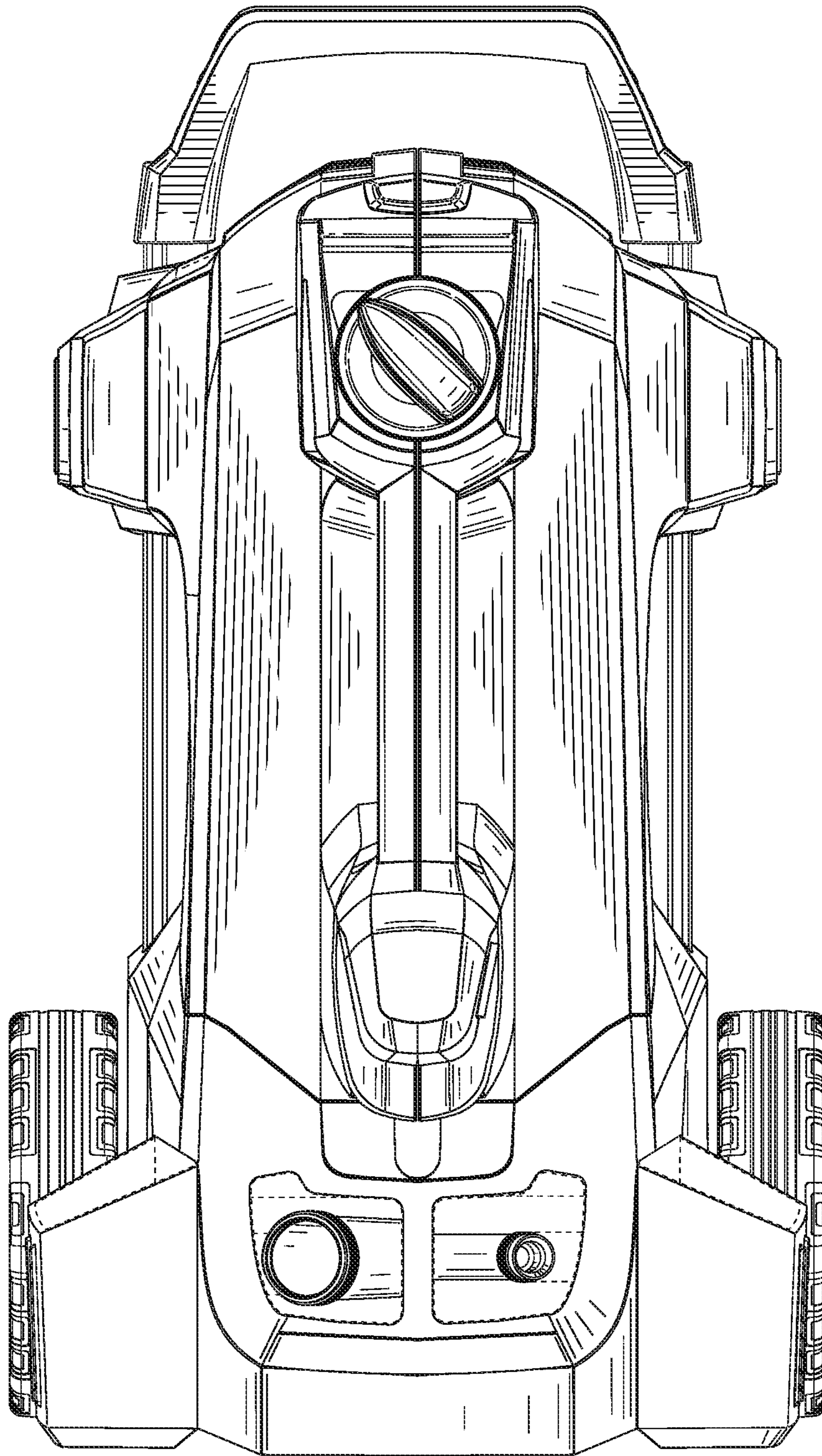


FIG. 3

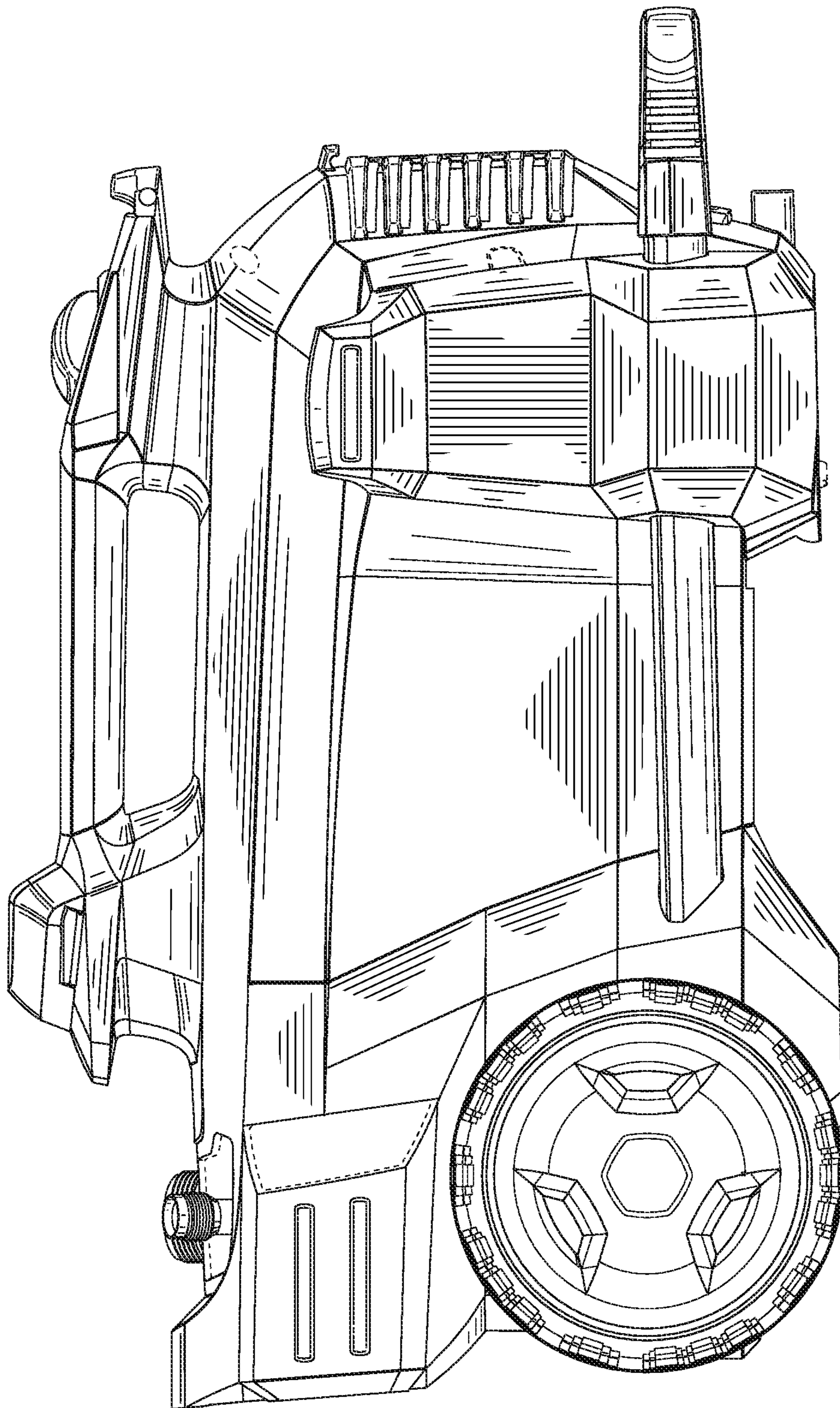


FIG. 4

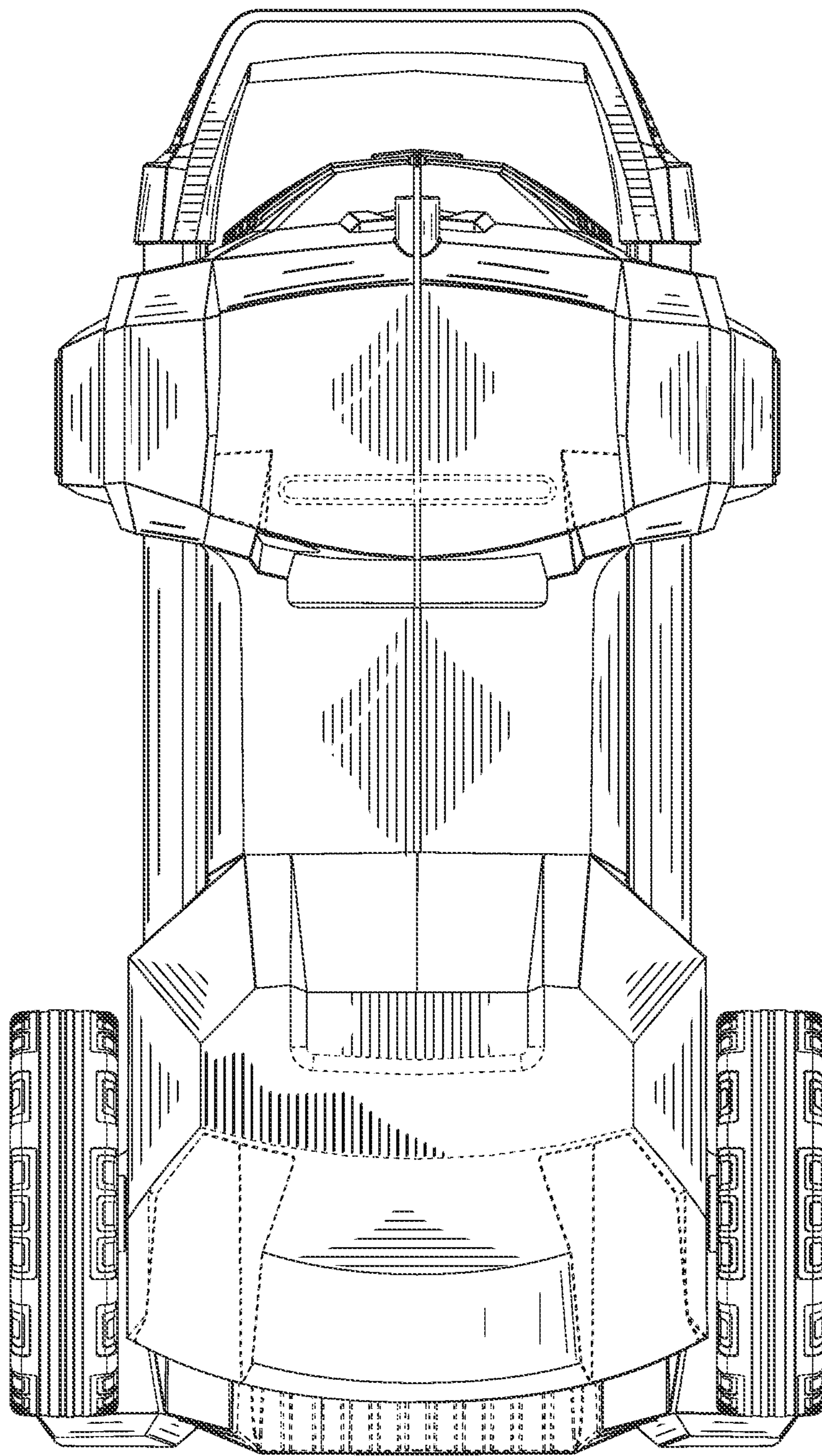


FIG. 5

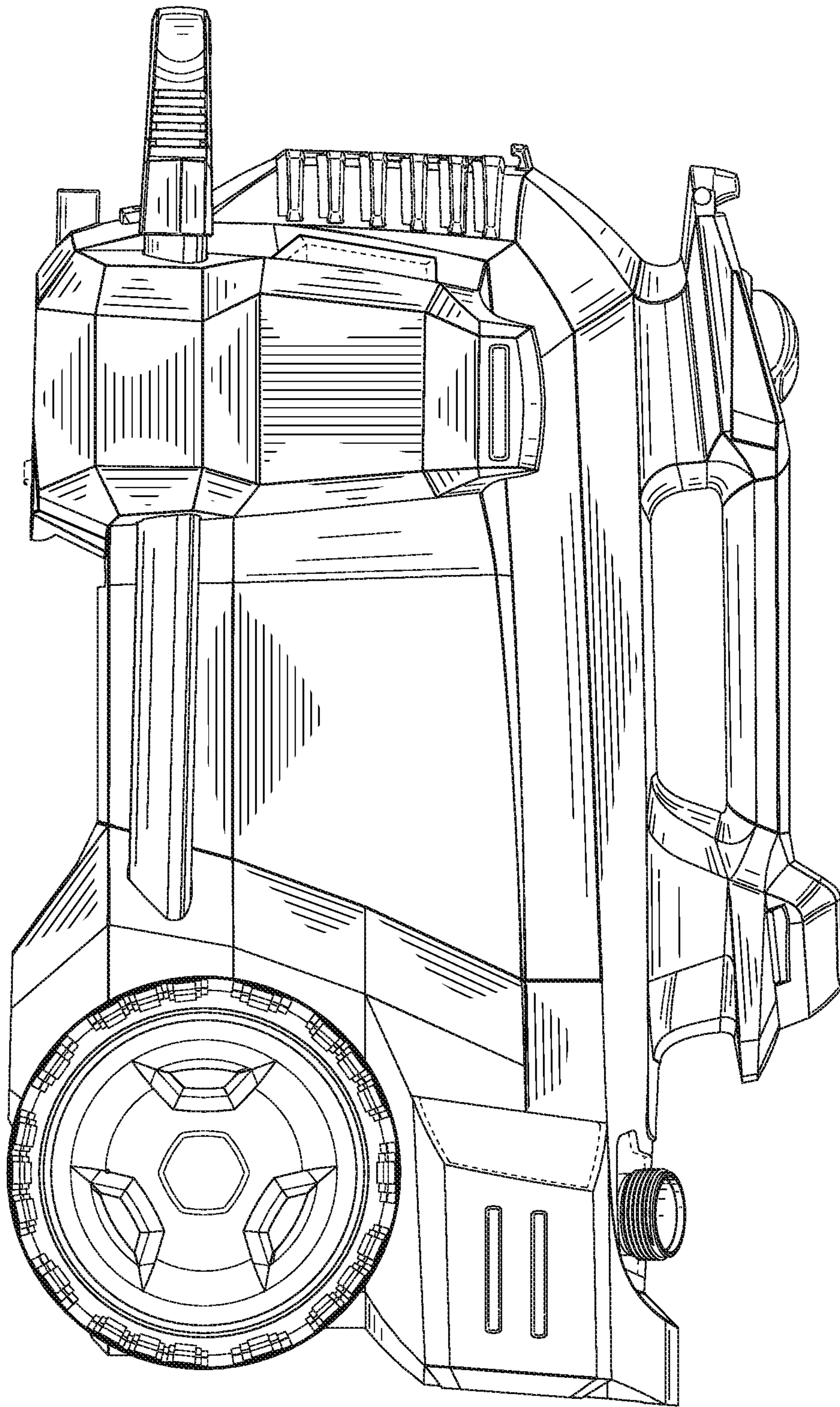


FIG. 6

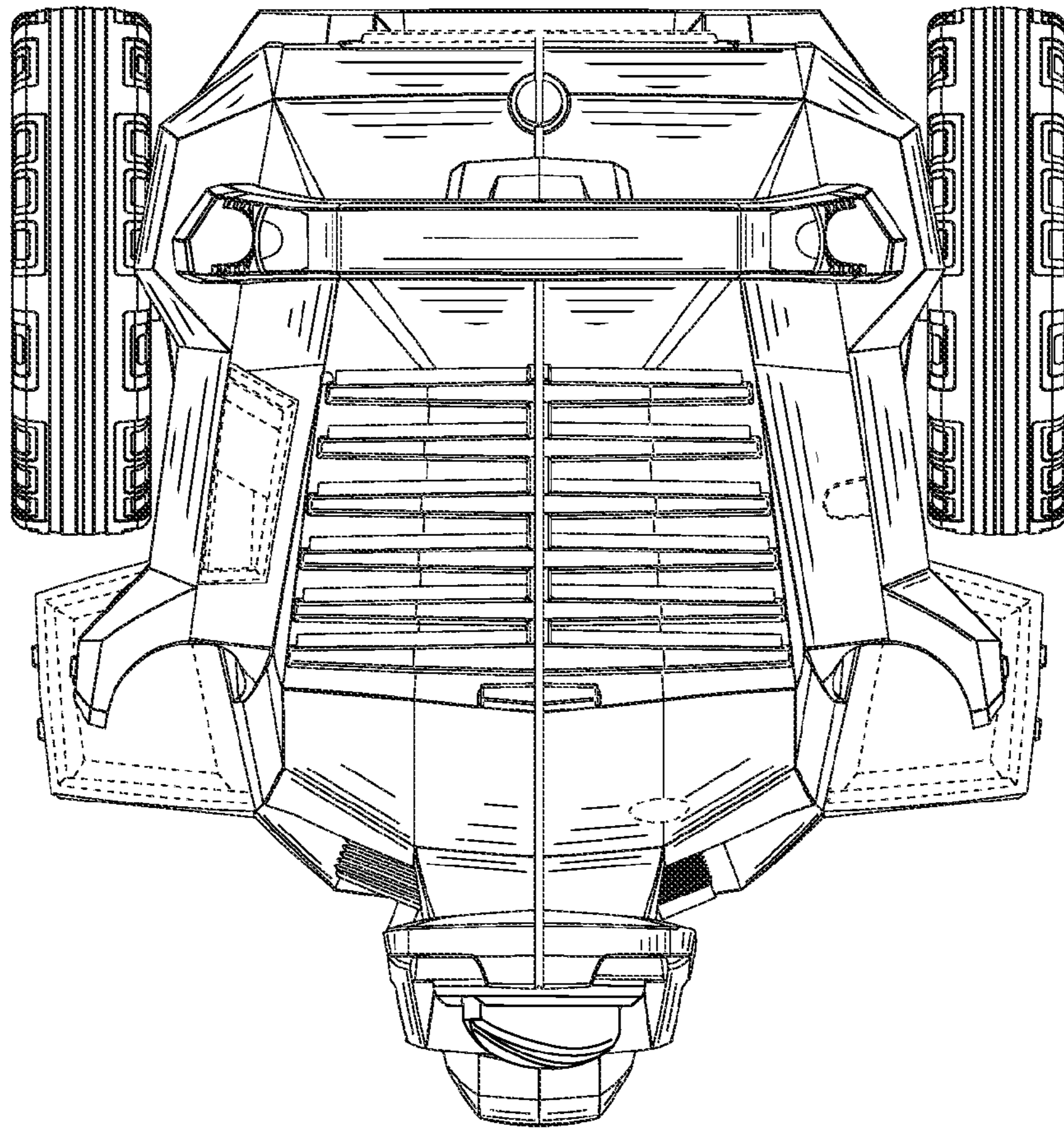


FIG. 7