



US00D694967S

(12) **United States Design Patent**  
**Jeon et al.**

(10) **Patent No.:** **US D694,967 S**  
(45) **Date of Patent:** **\*\* Dec. 3, 2013**

(54) **WASHING MACHINE**

(71) Applicant: **LG Electronics Inc.**, Seoul (KR)

(72) Inventors: **Hoil Jeon**, Gyeonggi-do (KR); **Nerry Son**, Seoul (KR); **Taewoo Yoo**, Seoul (KR)

(73) Assignee: **LG Electronics Inc.**, Seoul (KR)

(\*\*) Term: **14 Years**

(21) Appl. No.: **29/446,165**

(22) Filed: **Feb. 21, 2013**

(30) **Foreign Application Priority Data**

Sep. 6, 2012 (KR) ..... 30-2012-0042878

(51) **LOC (9) Cl.** ..... **15-05**

(52) **U.S. Cl.**  
USPC ..... **D32/6**

(58) **Field of Classification Search**  
USPC ..... D32/1, 5-6, 8, 10; 68/3 R, 5 R, 12.01,  
68/12.07, 12.08; 34/57-58, 523-524  
See application file for complete search history.

(56) **References Cited**

**U.S. PATENT DOCUMENTS**

D582,106 S \* 12/2008 Kim et al. .... D32/6  
D584,865 S \* 1/2009 Kim et al. .... D32/6

D608,062 S \* 1/2010 Jeong et al. .... D32/6  
D613,009 S \* 3/2010 DeSalvo et al. .... D32/6  
D618,863 S \* 6/2010 Jeon et al. .... D32/6  
D618,871 S \* 6/2010 DeSalvo et al. .... D32/25  
D627,114 S \* 11/2010 Jeon et al. .... D32/6  
D627,115 S \* 11/2010 Jeon et al. .... D32/6  
D634,492 S \* 3/2011 Chung et al. .... D32/6  
D635,313 S \* 3/2011 Jeon et al. .... D32/6  
D648,907 S \* 11/2011 Jeon et al. .... D32/6  
D649,722 S \* 11/2011 Chung et al. .... D32/6

\* cited by examiner

*Primary Examiner* — T. Chase Nelson

*Assistant Examiner* — Kathleen M Sims

(74) *Attorney, Agent, or Firm* — Morgan, Lewis & Bockius LLP

(57) **CLAIM**

The ornamental design for a washing machine, as shown and described.

**DESCRIPTION**

FIG. 1 is a front, right side, perspective view of a washing machine showing our new design;  
FIG. 2 is a front view thereof;  
FIG. 3 is a rear view thereof;  
FIG. 4 is a left side view thereof;  
FIG. 5 is a right side view thereof;  
FIG. 6 is a top view thereof; and,  
FIG. 7 is a bottom view thereof.

**1 Claim, 6 Drawing Sheets**

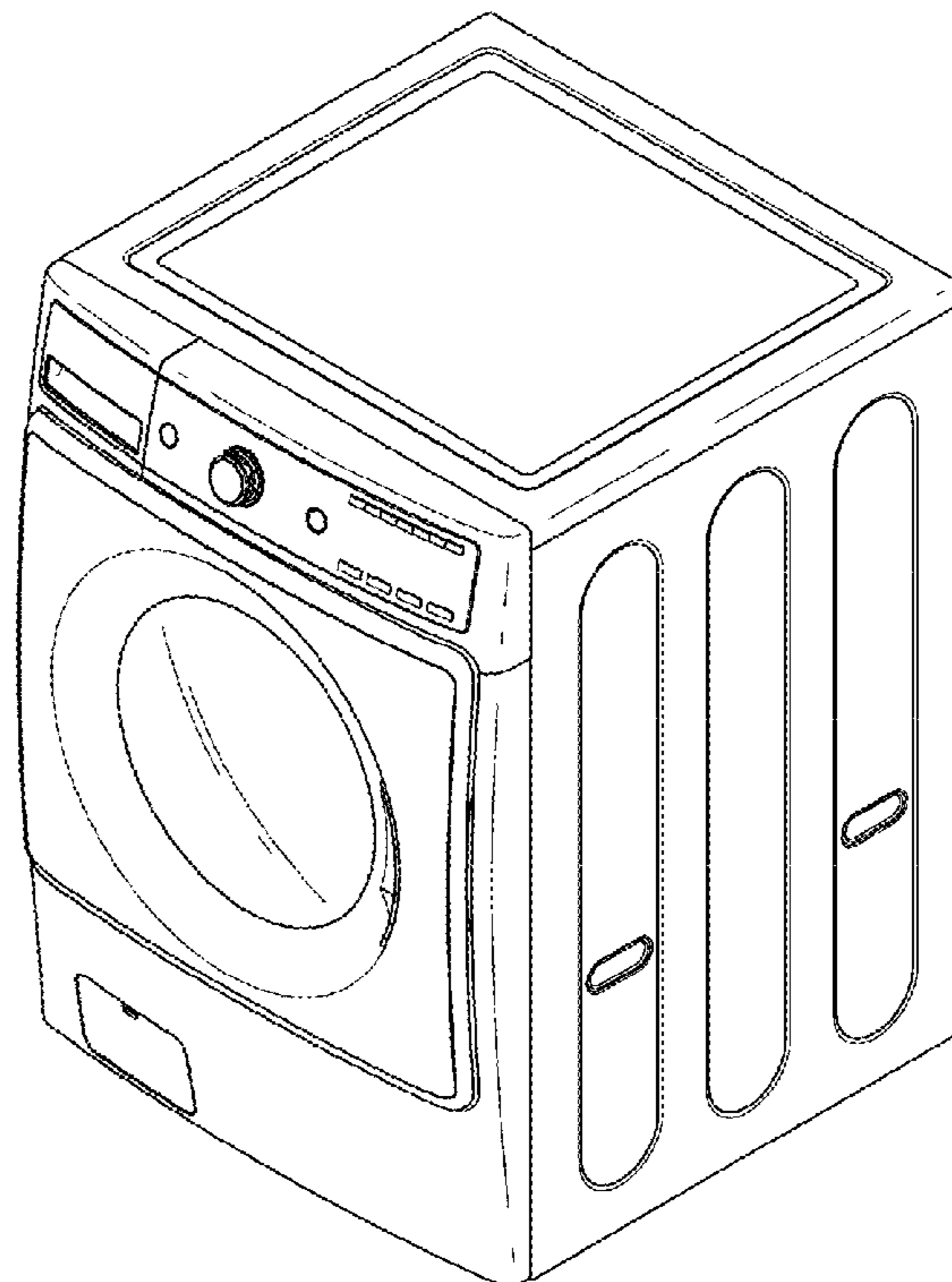


FIG. 1

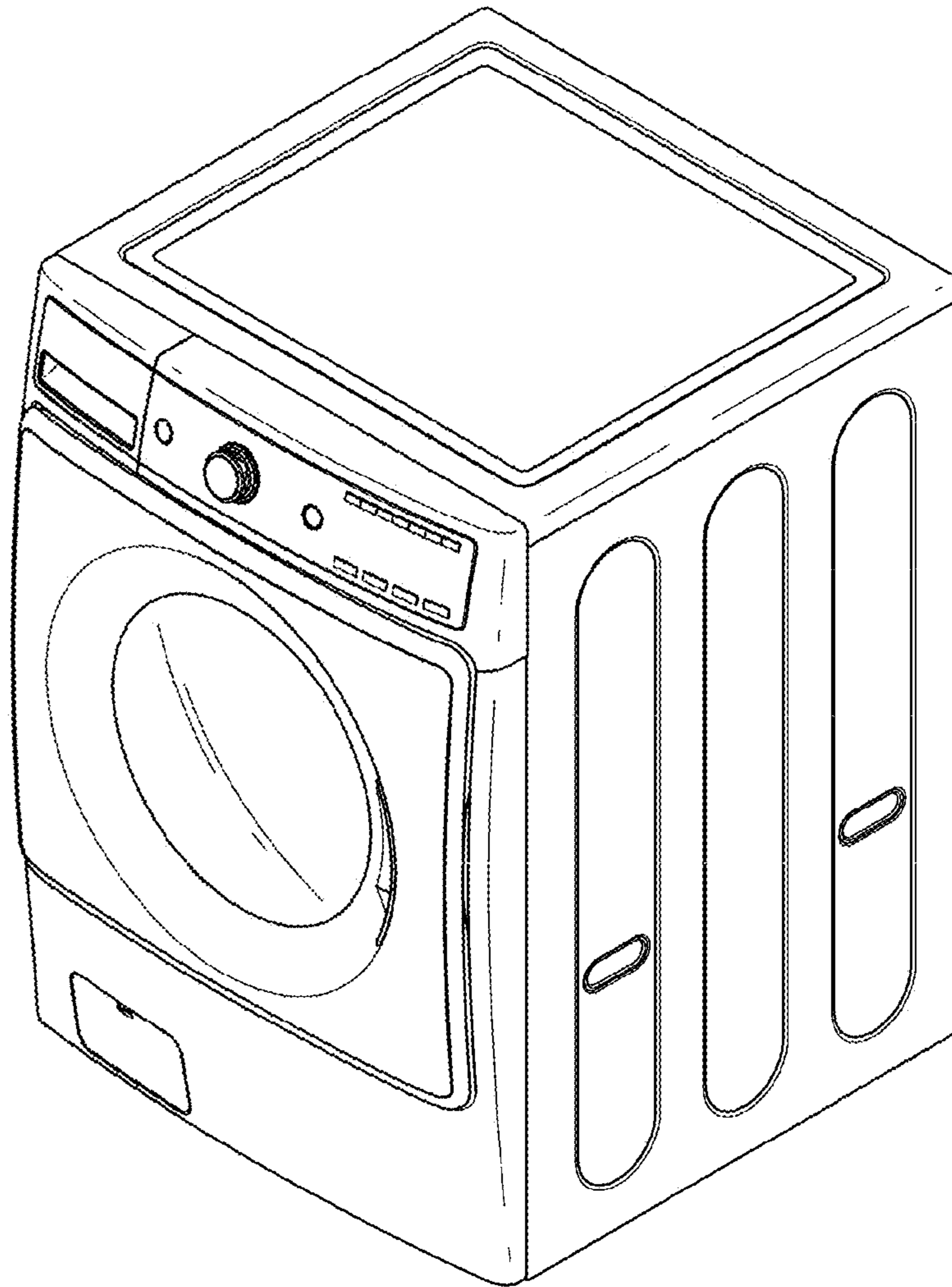


FIG. 2

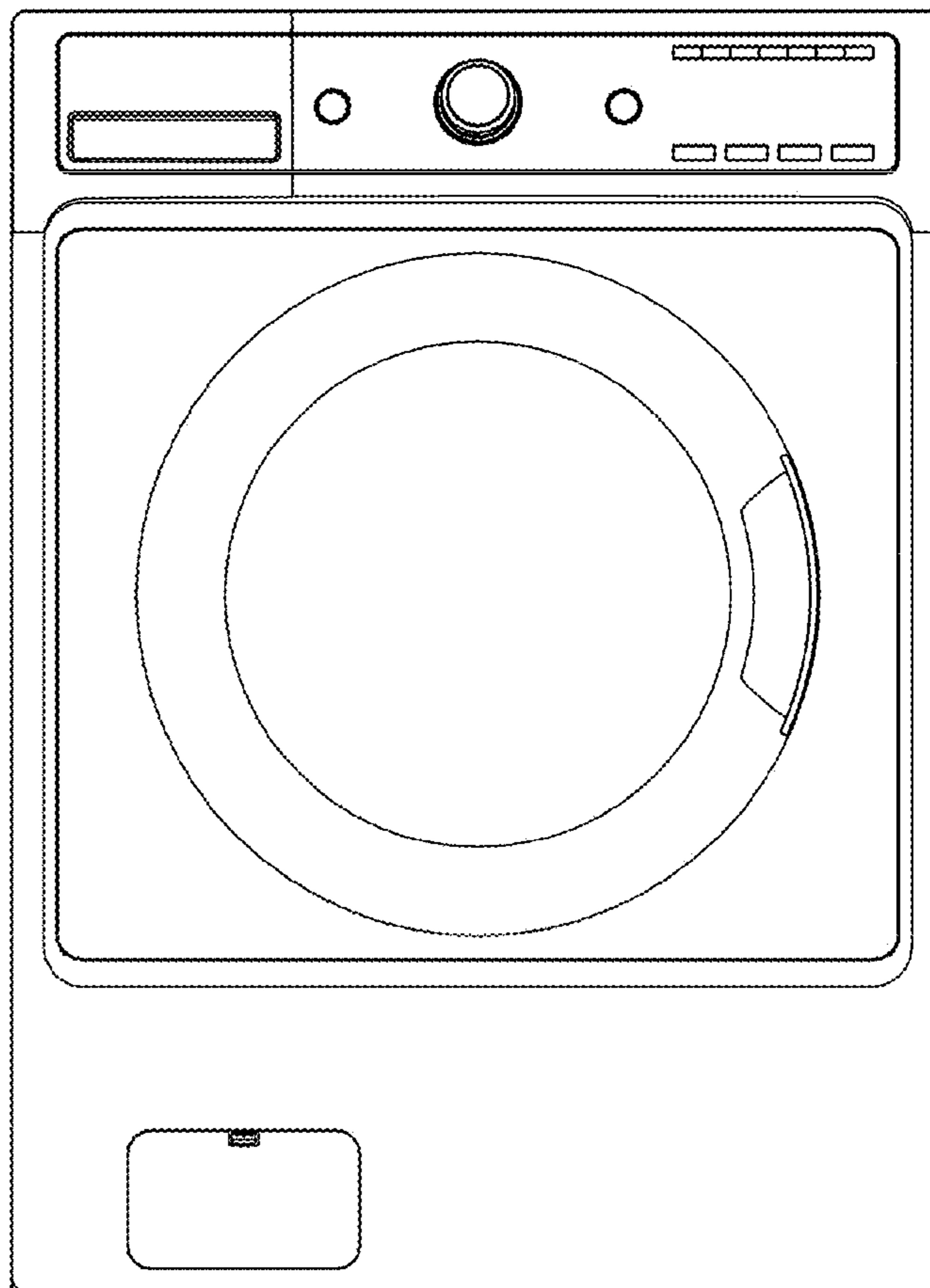


FIG. 3

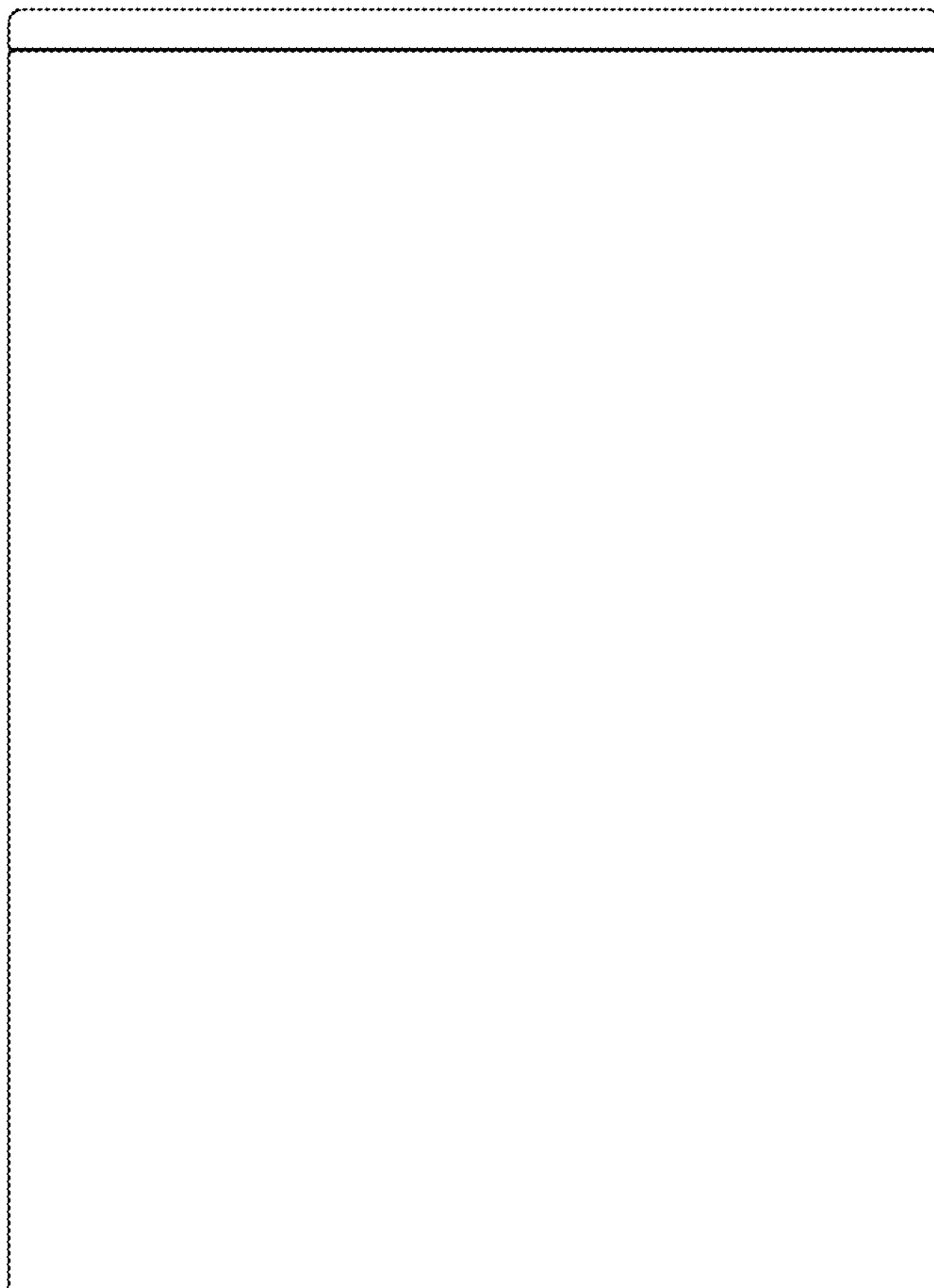


FIG. 4

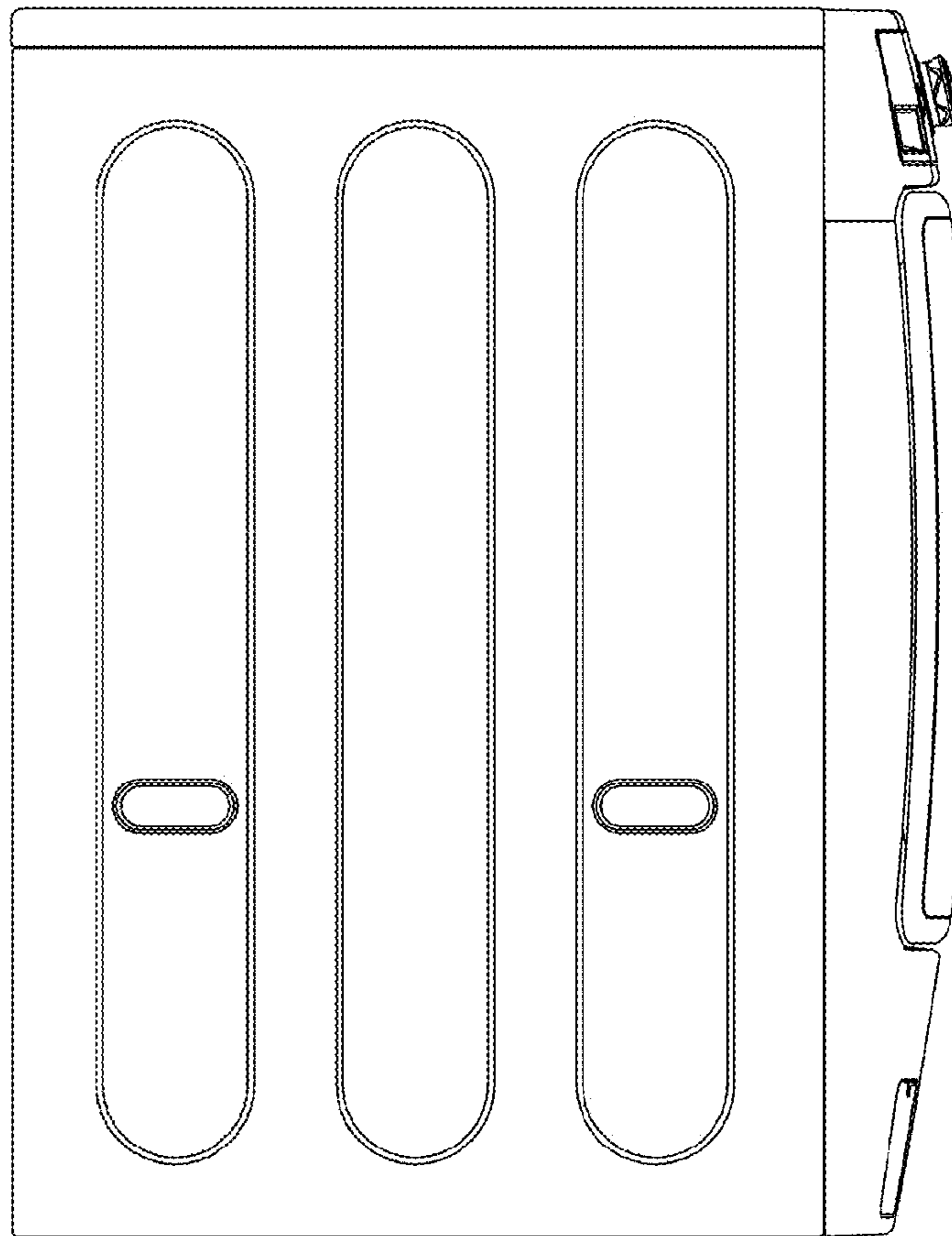


FIG. 5

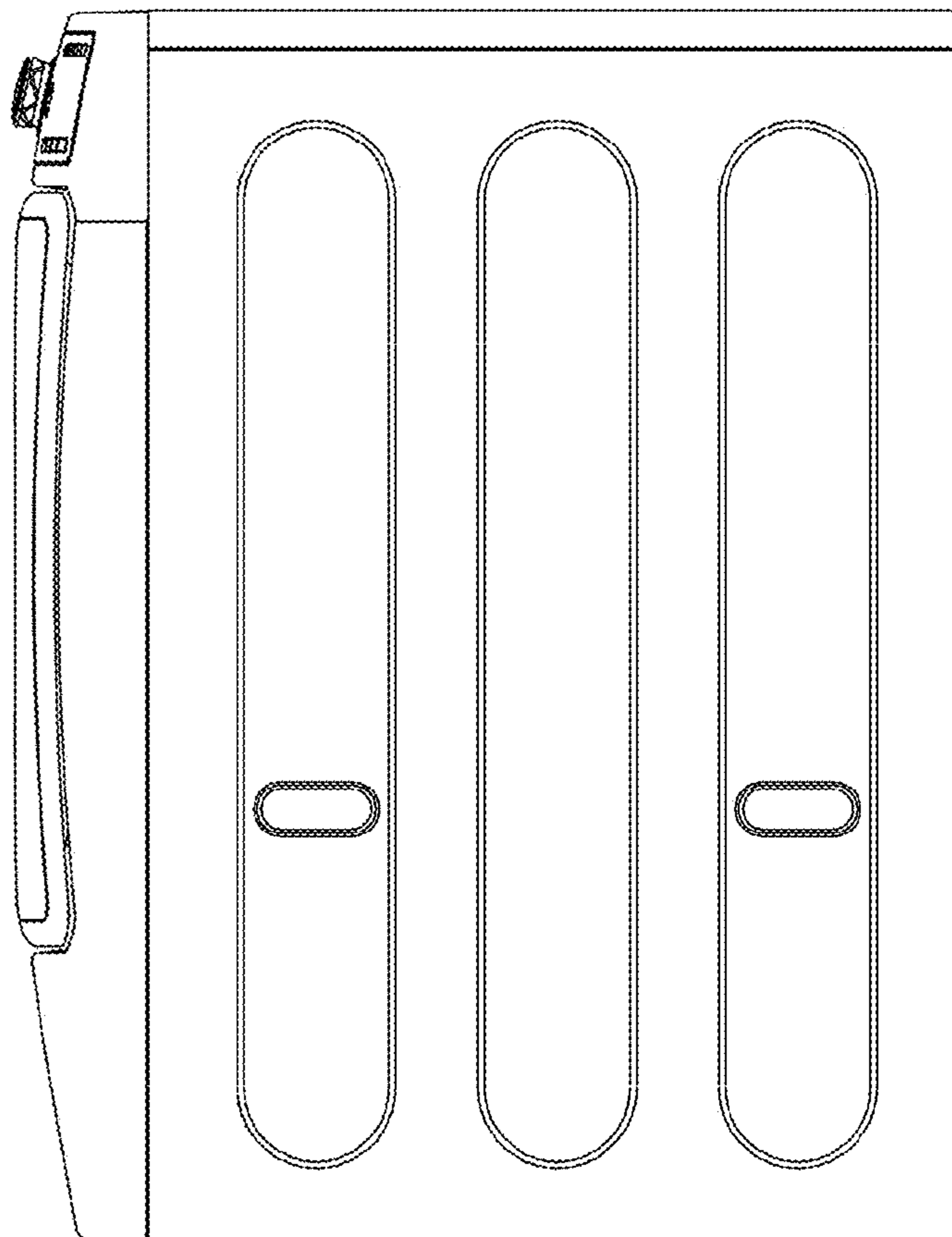


FIG. 6

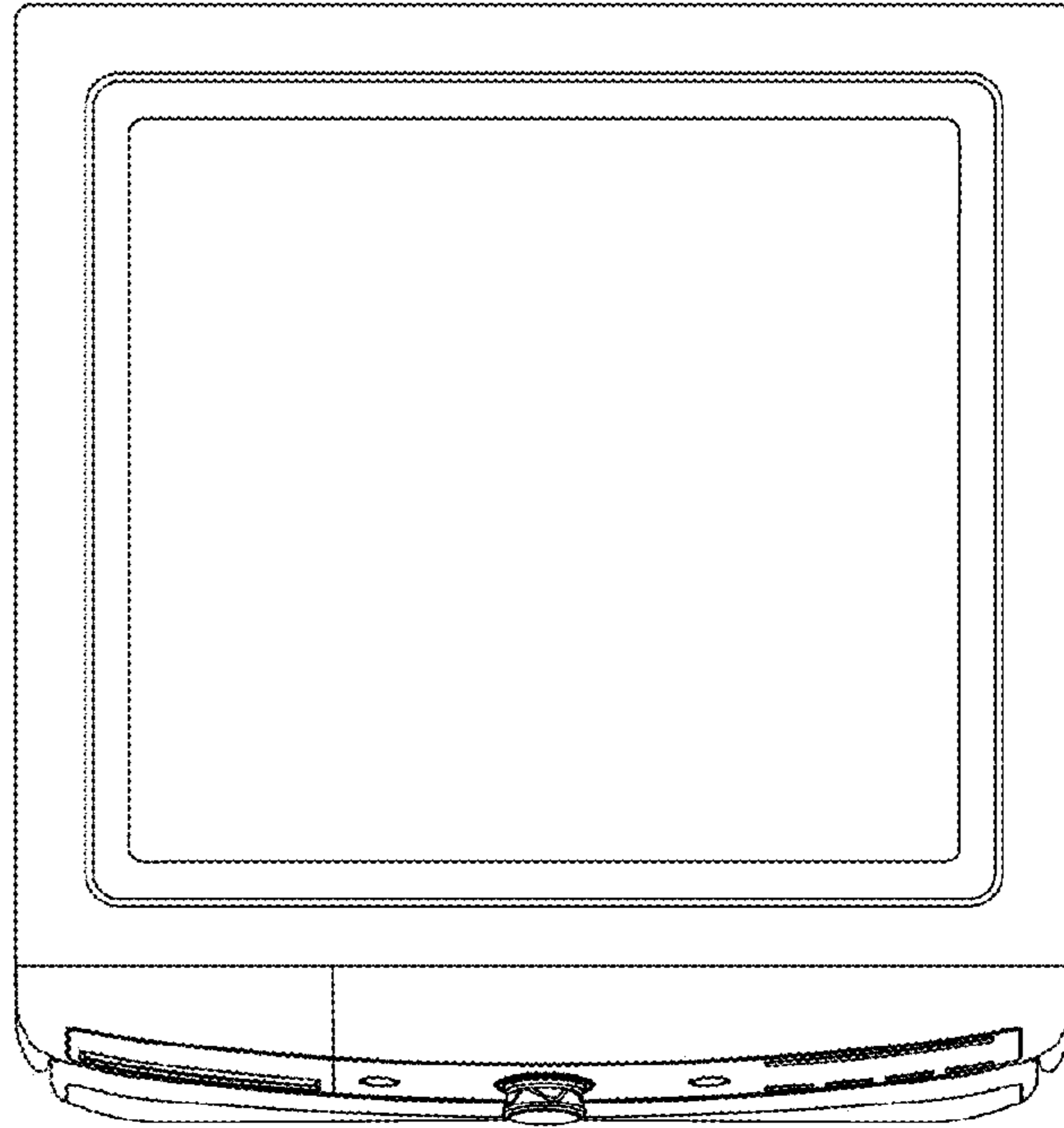


FIG. 7

