



US00D694966S

(12) **United States Design Patent**
Börjesson

(10) **Patent No.:** **US D694,966 S**
(45) **Date of Patent:** **** Dec. 3, 2013**

(54) **LAUNDRY APPLIANCE**
(71) Applicant: **Electrolux Home Products Corporation N.V., Brussels (BE)**
(72) Inventor: **Per Börjesson, Porcia (IT)**
(73) Assignee: **Electrolux Home Products Corporation N.V. (BE)**

D575,463 S * 8/2008 Mao et al. D32/6
D613,009 S * 3/2010 DeSalvo et al. D32/6
D617,512 S * 6/2010 DeSalvo et al. D32/25
D618,866 S * 6/2010 Lee D32/6
D625,890 S * 10/2010 Lee et al. D32/6
D640,020 S * 6/2011 Helot et al. D32/5
D653,822 S * 2/2012 Geyer et al. D32/6
D659,307 S * 5/2012 Geyer et al. D32/6

* cited by examiner

(**) Term: **14 Years**
(21) Appl. No.: **29/434,337**
(22) Filed: **Oct. 11, 2012**

Primary Examiner — T. Chase Nelson
Assistant Examiner — Kathleen M Sims
(74) *Attorney, Agent, or Firm* — Banner & Witcoff, Ltd.

(30) **Foreign Application Priority Data**

Apr. 11, 2012 (EM) 002023788

(51) **LOC (9) Cl.** **15-05**
(52) **U.S. Cl.**
USPC **D32/6**
(58) **Field of Classification Search**
USPC D32/1, 5-10; 34/3 R, 4, 5 R, 12.01,
34/12.07, 212; 68/87-88, 523-524
See application file for complete search history.

(57) **CLAIM**

The ornamental design for a laundry appliance, as shown and described.

DESCRIPTION

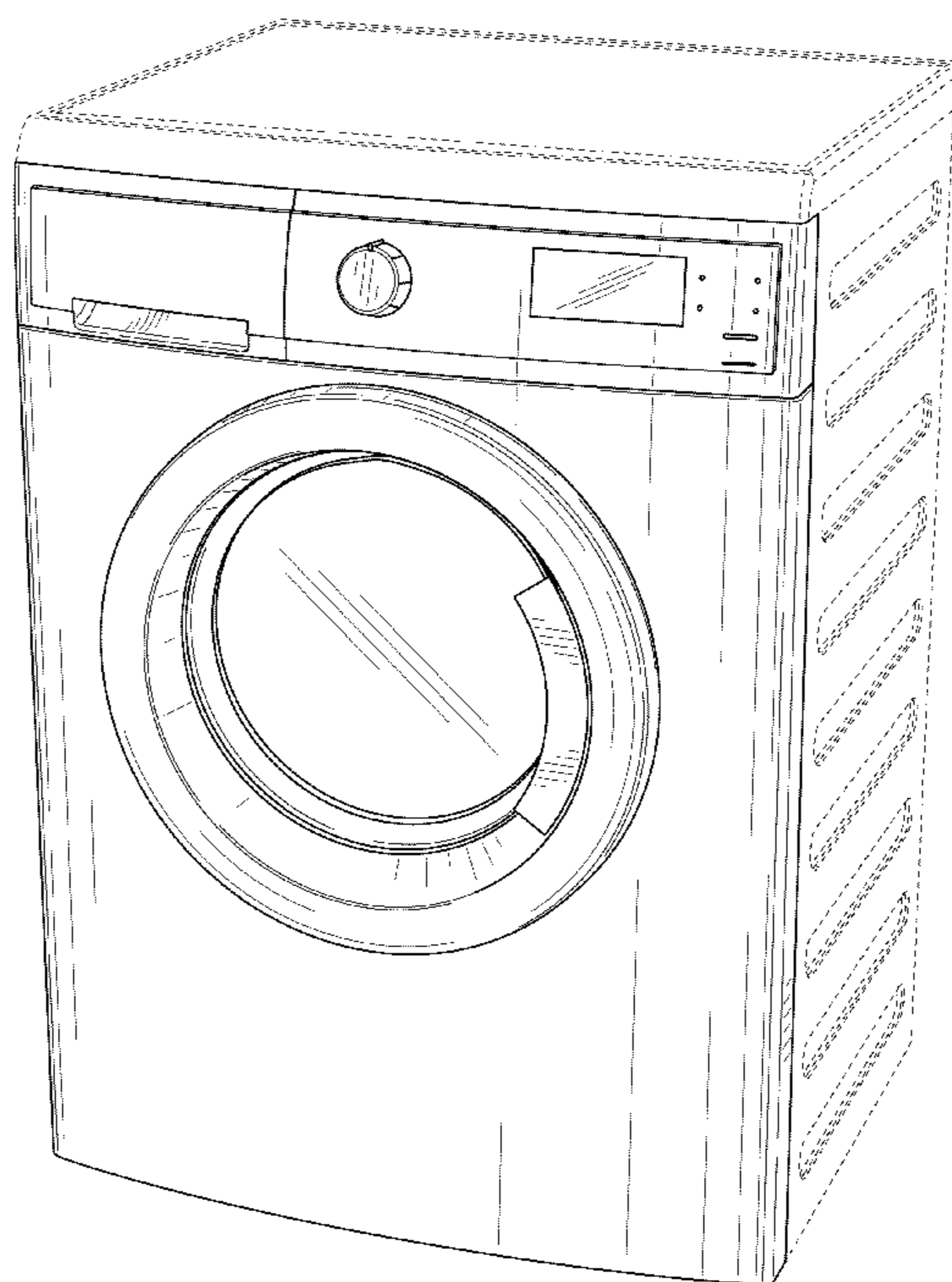
FIG. 1 is a front perspective view of a laundry appliance showing my new design;
FIG. 2 is a front view thereof;
FIG. 3 is a rear view thereof;
FIG. 4 is a top view thereof;
FIG. 5 is a bottom view thereof;
FIG. 6 is a right side view thereof; and,
FIG. 7 is a left side view thereof.
The broken line showing of the rear, bottom, top and side regions of the appliance is for environmental purposes only and forms no part of the claimed design.

(56) **References Cited**

U.S. PATENT DOCUMENTS

D191,918 S * 12/1961 Stern D32/8
D477,898 S * 7/2003 Geyer D32/6
D563,062 S * 2/2008 Eicher et al. D32/6
D565,809 S * 4/2008 Eicher et al. D32/6

1 Claim, 7 Drawing Sheets



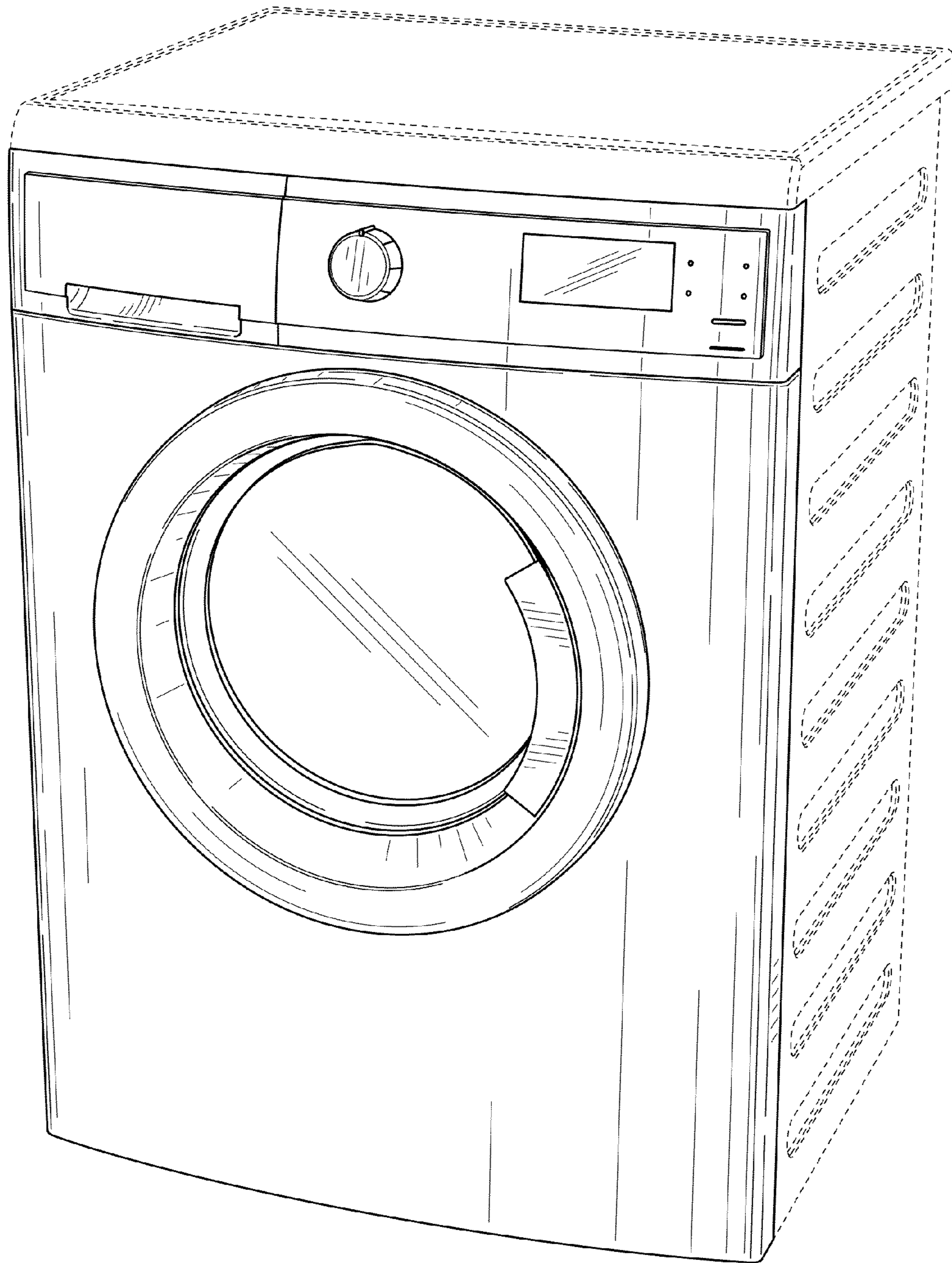


FIG. 1

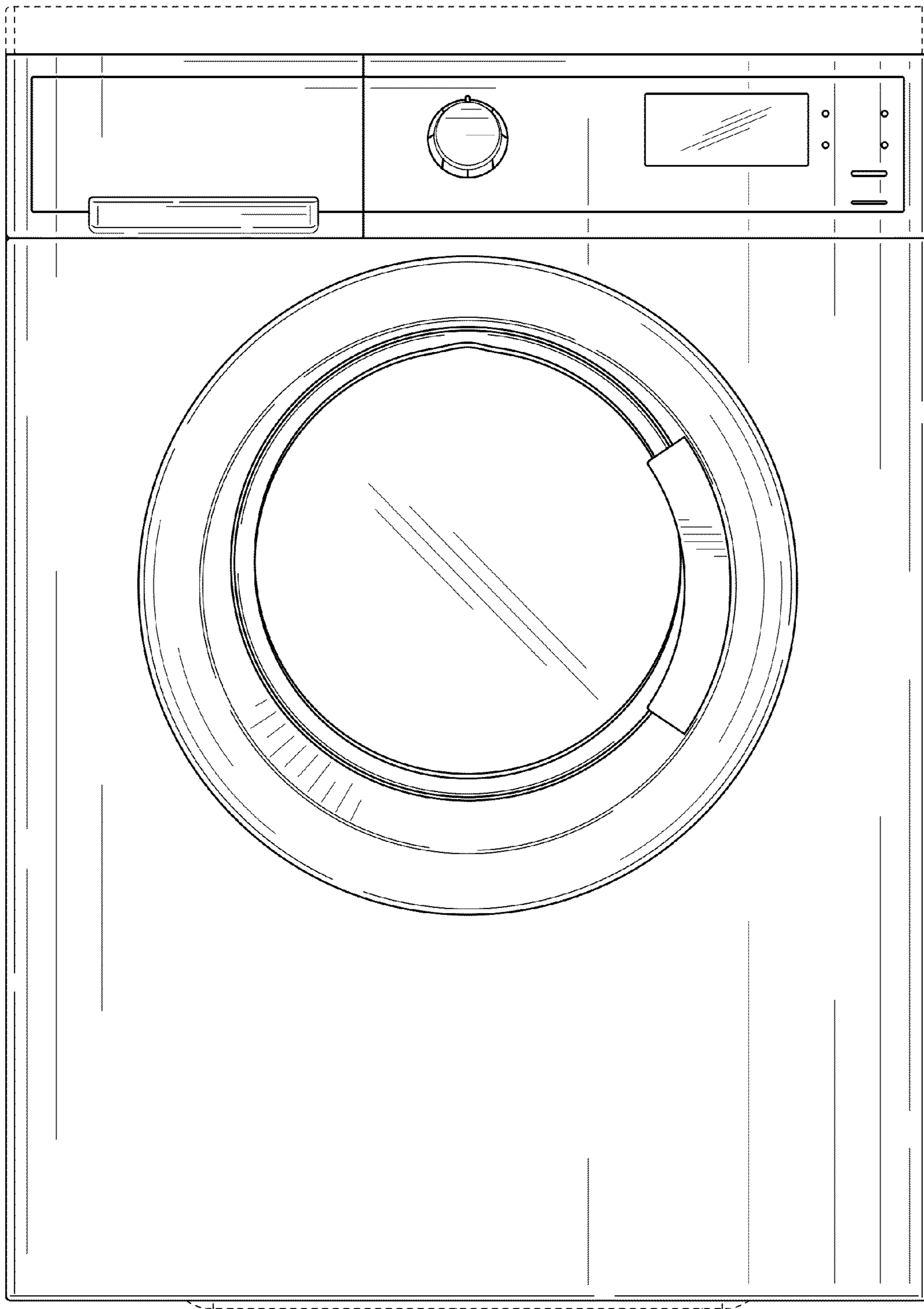


FIG. 2

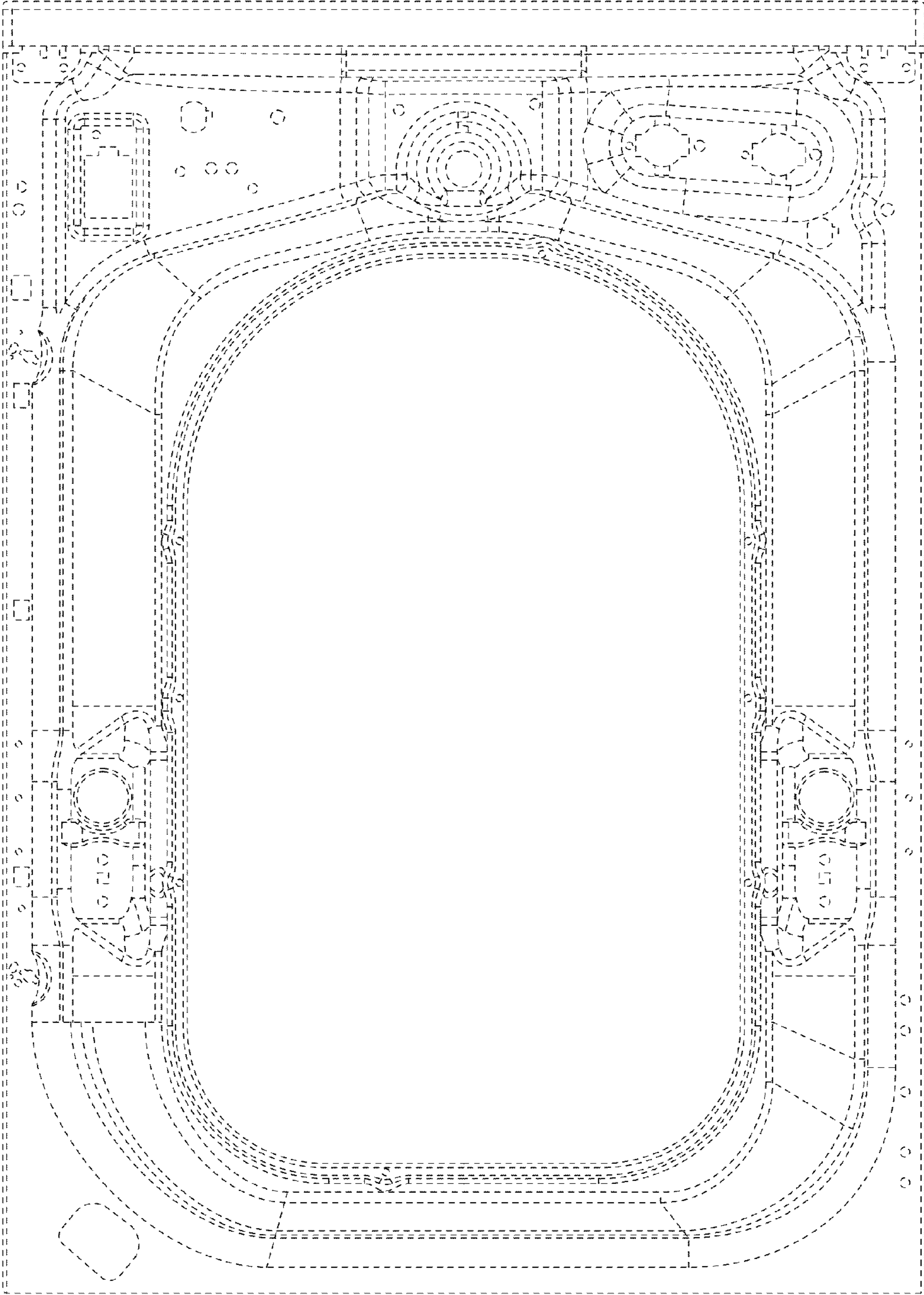


FIG. 3

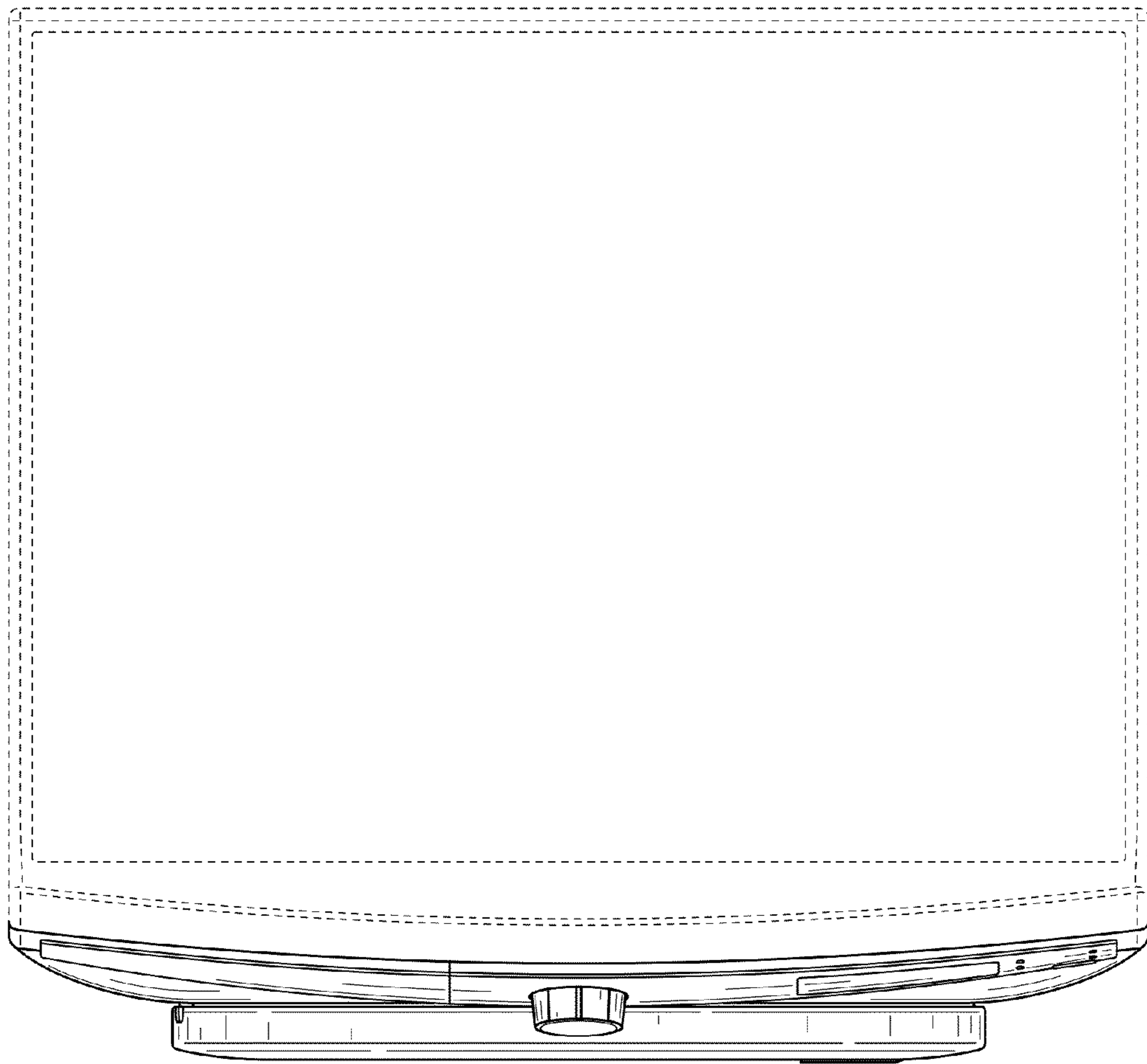


FIG. 4

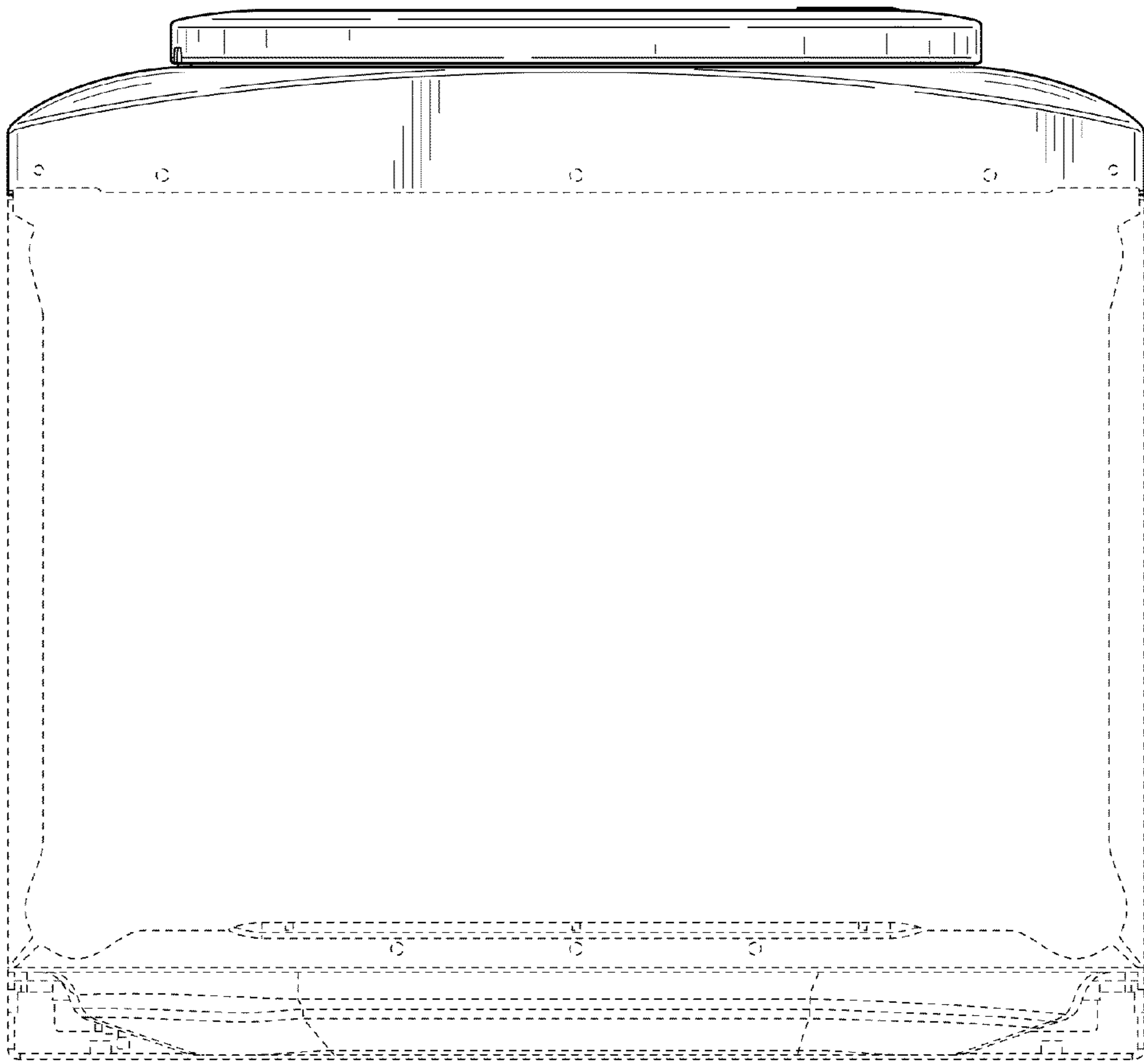


FIG. 5

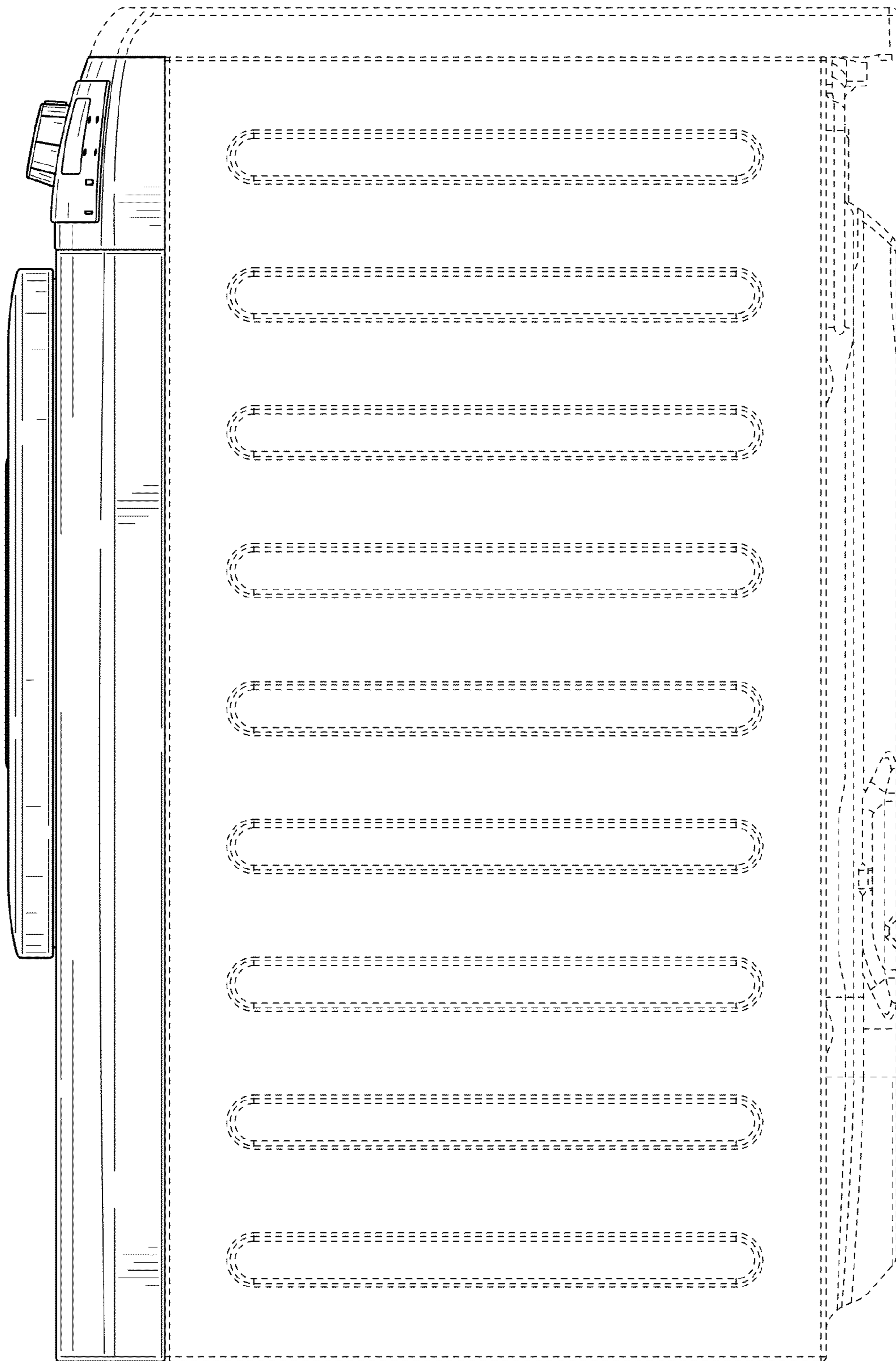


FIG. 6

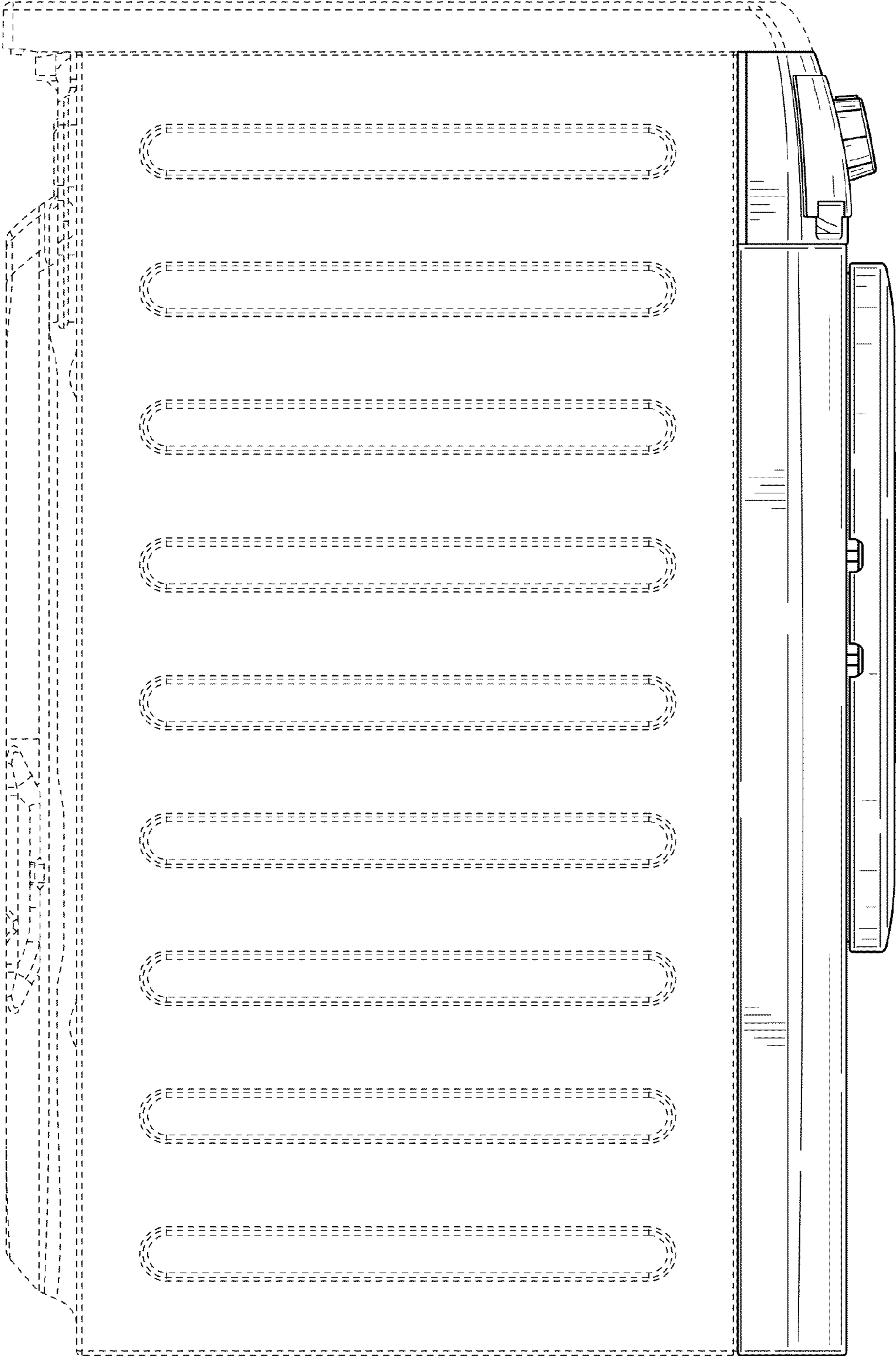


FIG. 7