



US00D694965S

(12) **United States Design Patent**
Lee et al.

(10) **Patent No.:** **US D694,965 S**
(45) **Date of Patent:** **** Dec. 3, 2013**

(54) **WASHING MACHINE**

(75) Inventors: **Kyungyoung Lee**, Seoul (KR); **Kihyuk Kim**, Incheon (KR); **Byeongkook Kim**, Seoul (KR)

(73) Assignee: **LG Electronics Inc.**, Seoul (KR)

(**) Term: **14 Years**

(21) Appl. No.: **29/425,019**

(22) Filed: **Jun. 19, 2012**

(30) **Foreign Application Priority Data**

Dec. 23, 2011 (KR) 30-2011-0054922

(51) **LOC (9) Cl.** **15-05**

(52) **U.S. Cl.**
USPC **D32/6**

(58) **Field of Classification Search**
USPC D32/1, 5, 6, 8, 10; 68/3 R, 4, 5 R, 12.01, 68/12.07, 12.08, 212; 34/87-88, 523-524
See application file for complete search history.

(56) **References Cited**

U.S. PATENT DOCUMENTS

D374,954 S	*	10/1996	Katz et al.	D32/6
D465,308 S	*	11/2002	Resuello et al.	D32/6
D489,496 S	*	5/2004	Sneddon	D32/6
D492,073 S	*	6/2004	Sneddon	D32/6
D524,000 S	*	6/2006	Kim et al.	D32/6
D524,494 S	*	7/2006	Kim et al.	D32/9
D538,488 S	*	3/2007	Carey et al.	D32/6

D542,487 S	*	5/2007	Jun	D32/6
D554,307 S	*	10/2007	Kim	D32/6
D564,640 S	*	3/2008	Kakahana et al.	D23/293.1
D571,964 S	*	6/2008	Kim	D32/6
D575,012 S	*	8/2008	Rossetto et al.	D32/6
D631,215 S	*	1/2011	Song et al.	D32/6
D632,033 S	*	2/2011	Song et al.	D32/6
D633,261 S	*	2/2011	Song et al.	D32/6
2006/0107702 A1	*	5/2006	Kim	68/3 R
2011/0308281 A1	*	12/2011	Yu et al.	68/212

* cited by examiner

Primary Examiner — T. Chase Nelson

Assistant Examiner — Kathleen M Sims

(74) *Attorney, Agent, or Firm* — Morgan, Lewis & Bockius LLP

(57) **CLAIM**

The ornamental design for a washing machine, as shown and described.

DESCRIPTION

FIG. 1 is a front, right side, perspective view of a washing machine showing our new design;
FIG. 2 is a front view thereof;
FIG. 3 is a rear view thereof;
FIG. 4 is a left side view thereof;
FIG. 5 is a right side view thereof;
FIG. 6 is a top view thereof, and
FIG. 7 is a bottom view thereof.

The broken lines showing the interior details in the figures are included for the purpose of illustrating environmental portions of the washing machine and form no part of the claimed design.

1 Claim, 7 Drawing Sheets

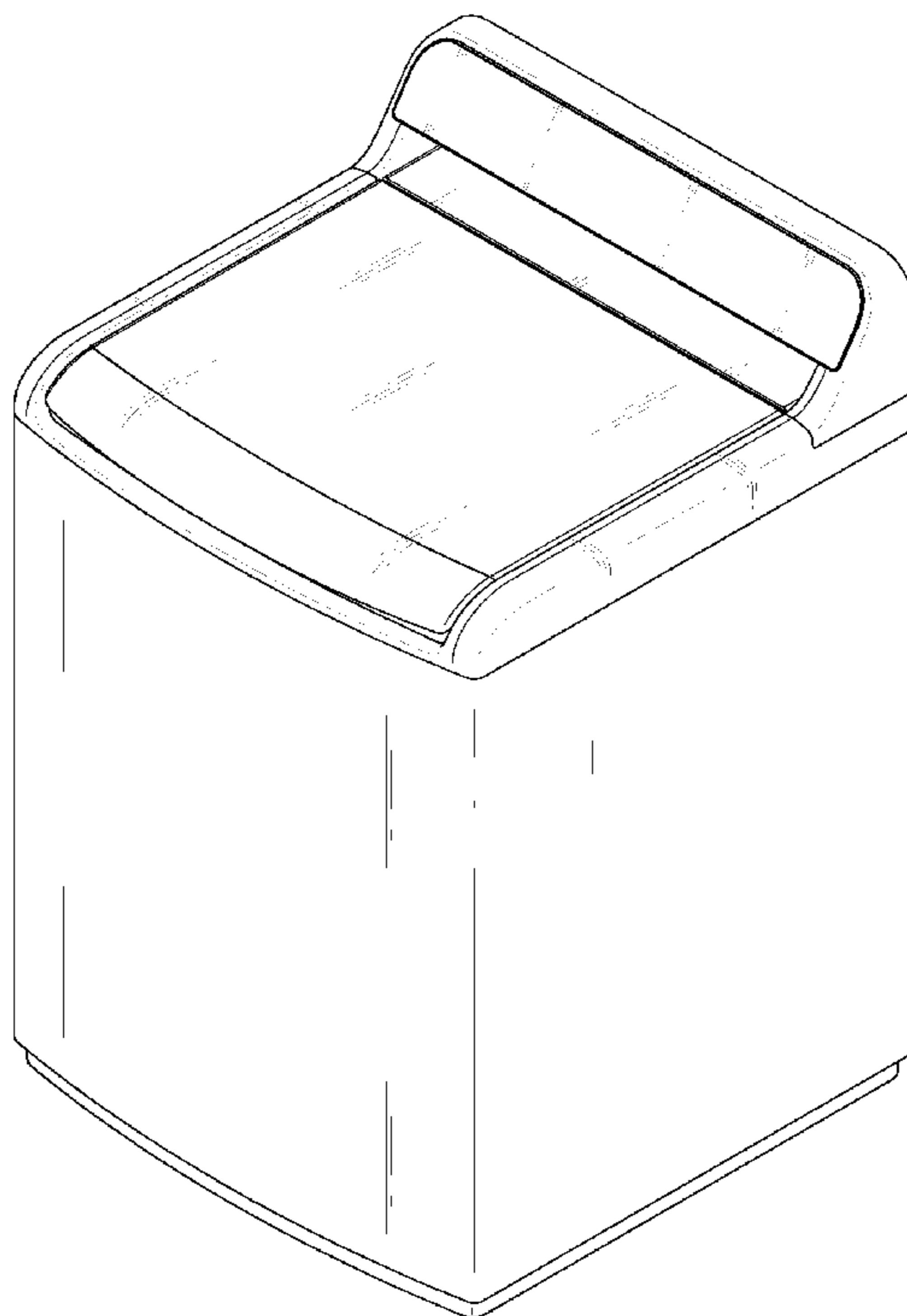


FIG. 1

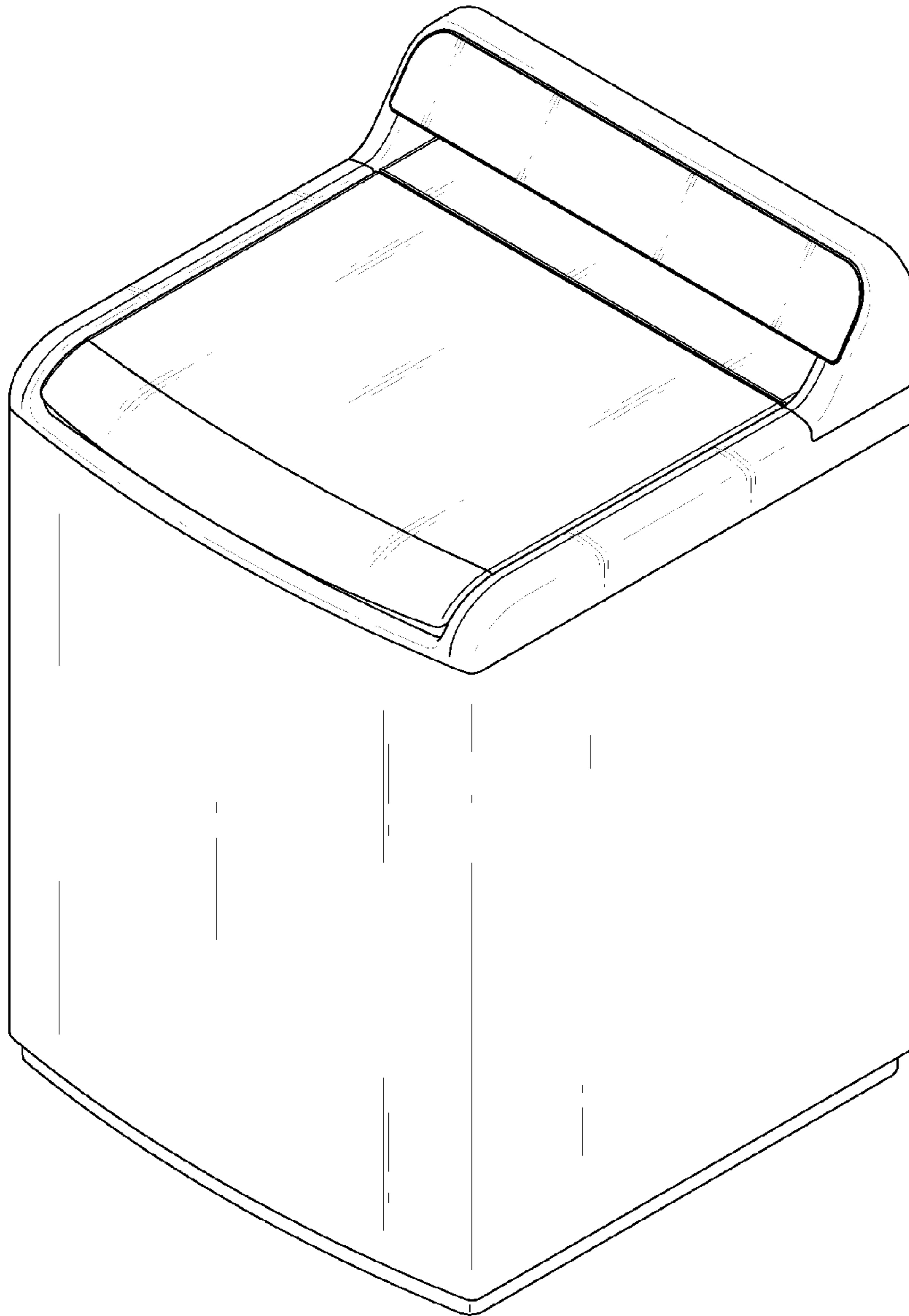


FIG. 2

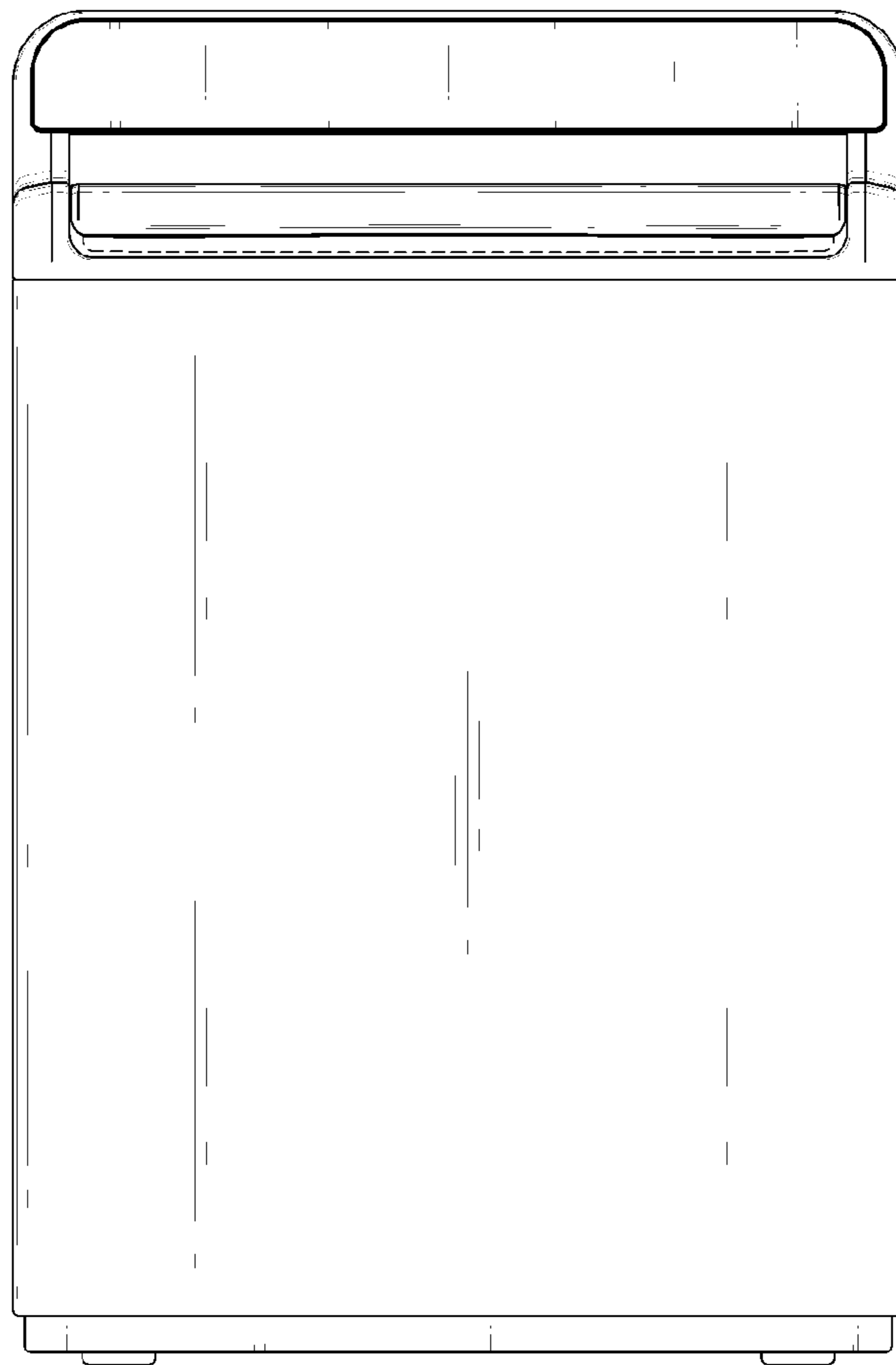


FIG. 3

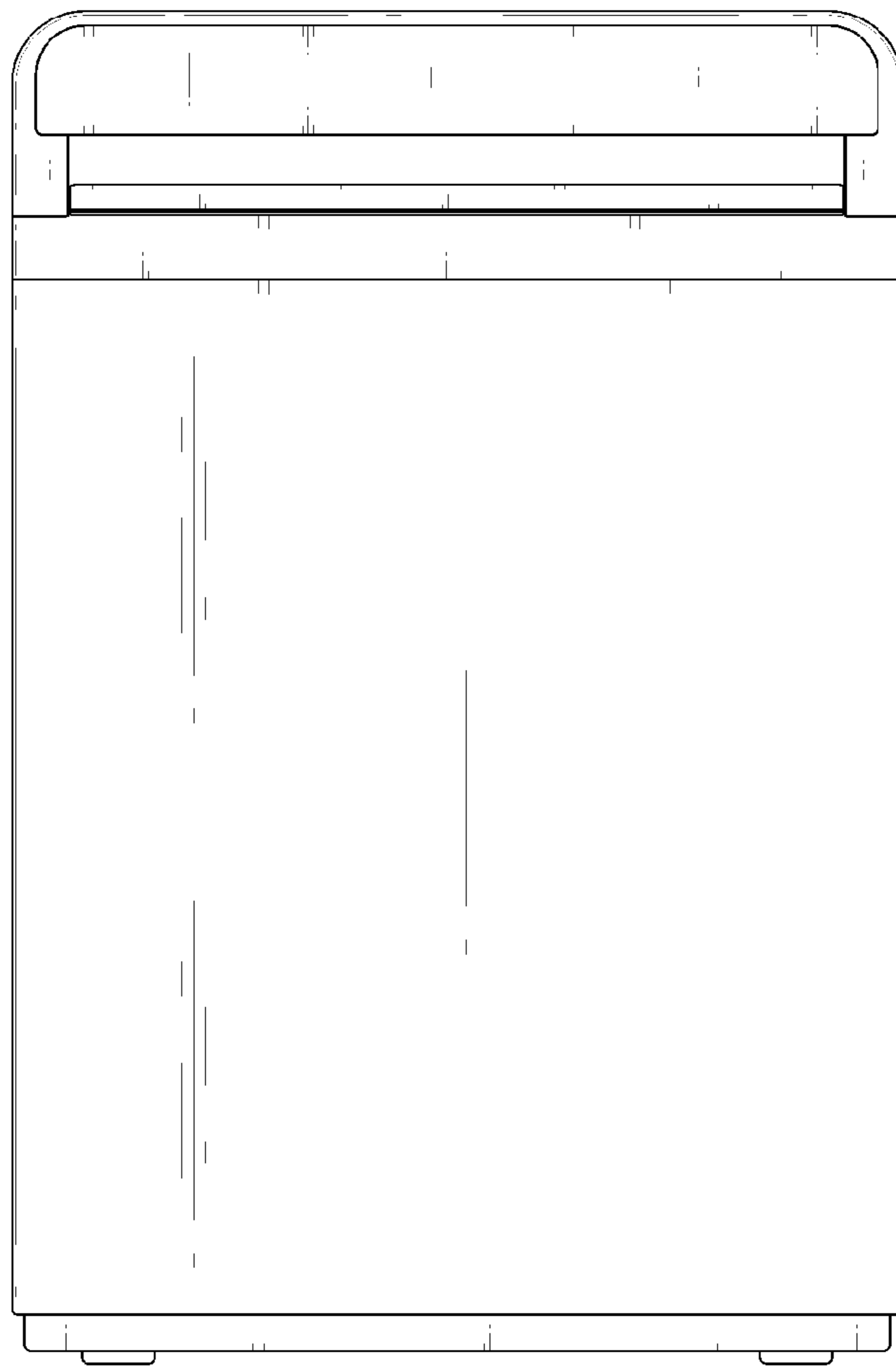


FIG. 4

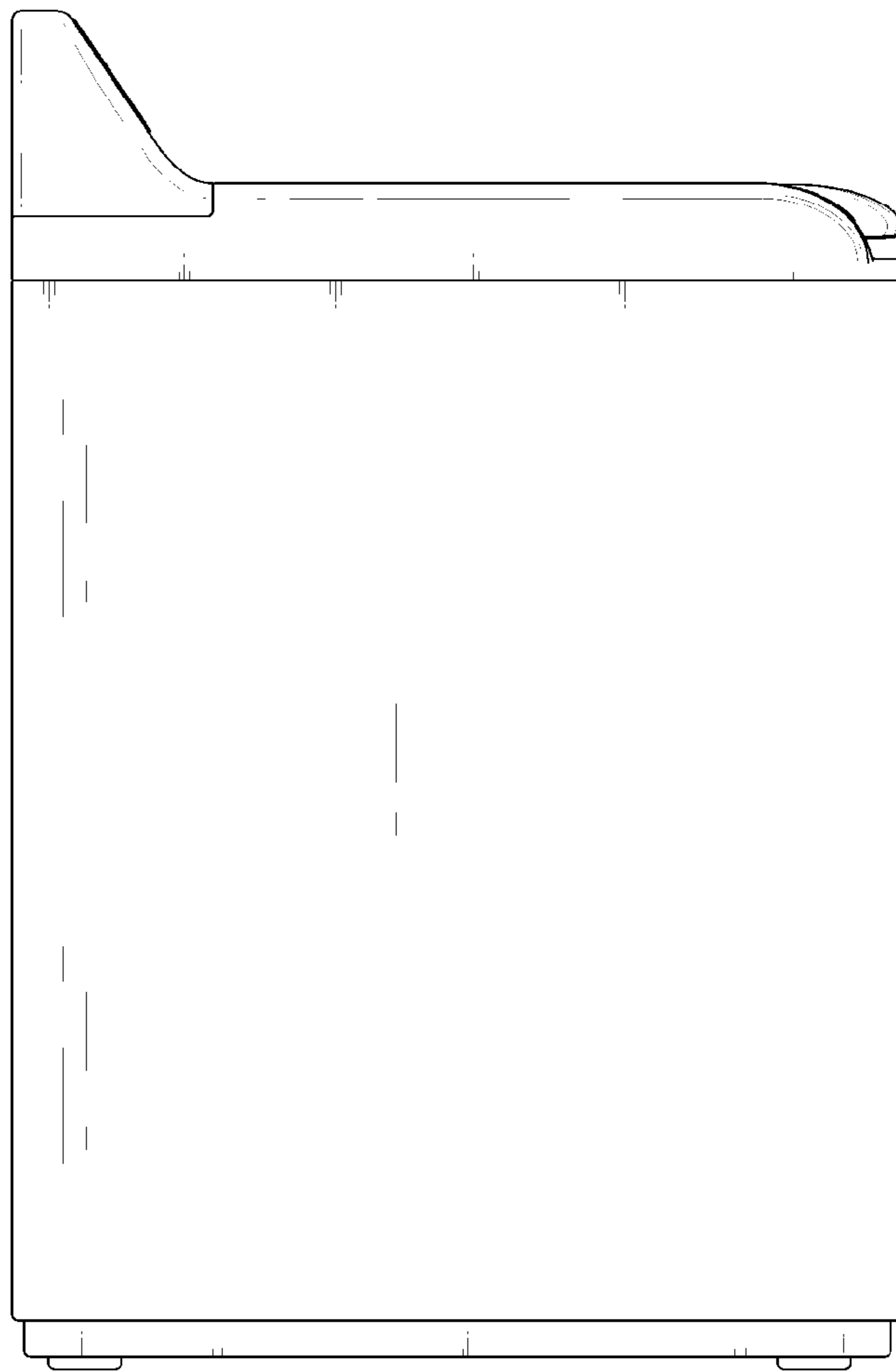


FIG. 5

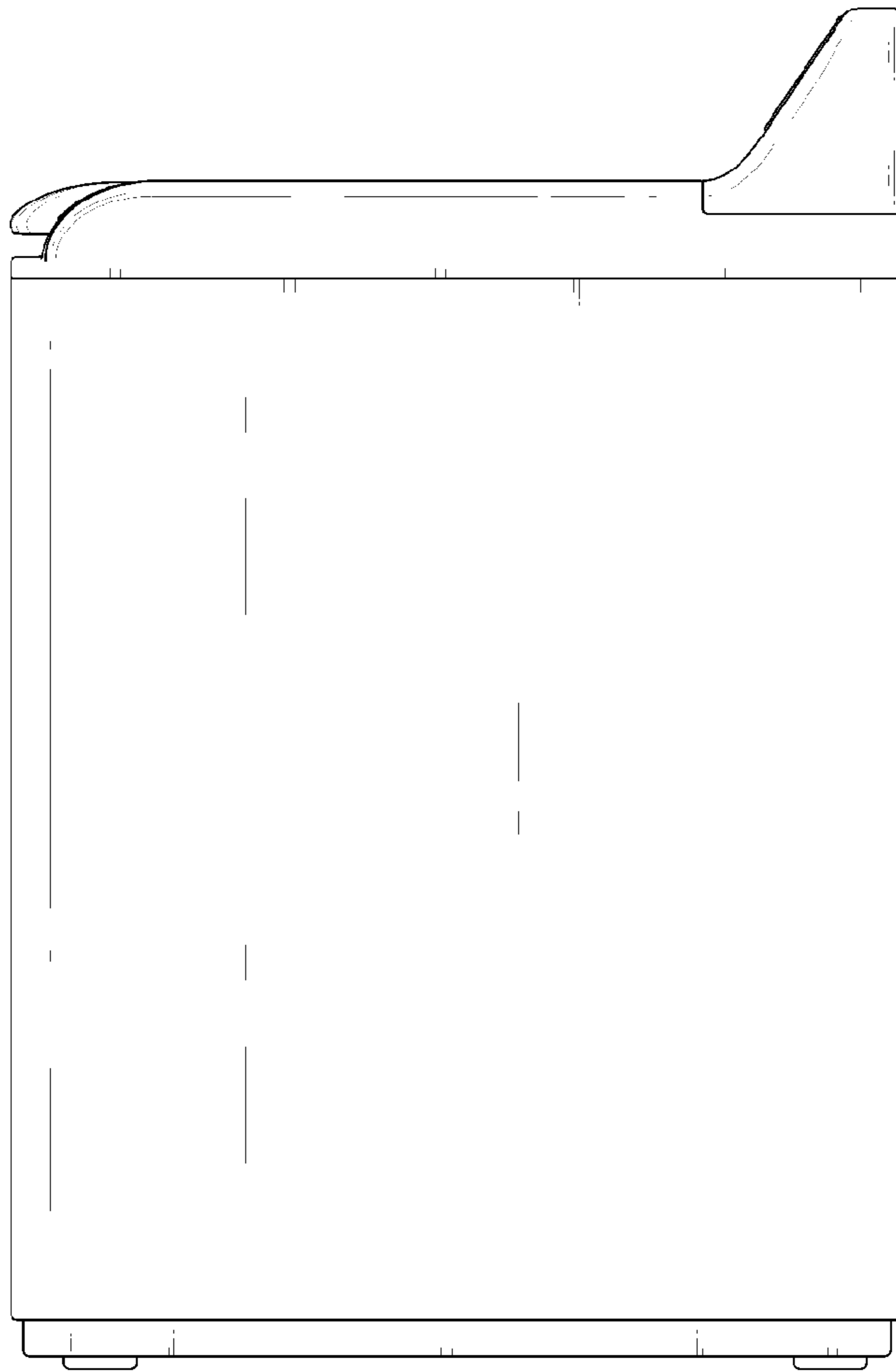


FIG. 6

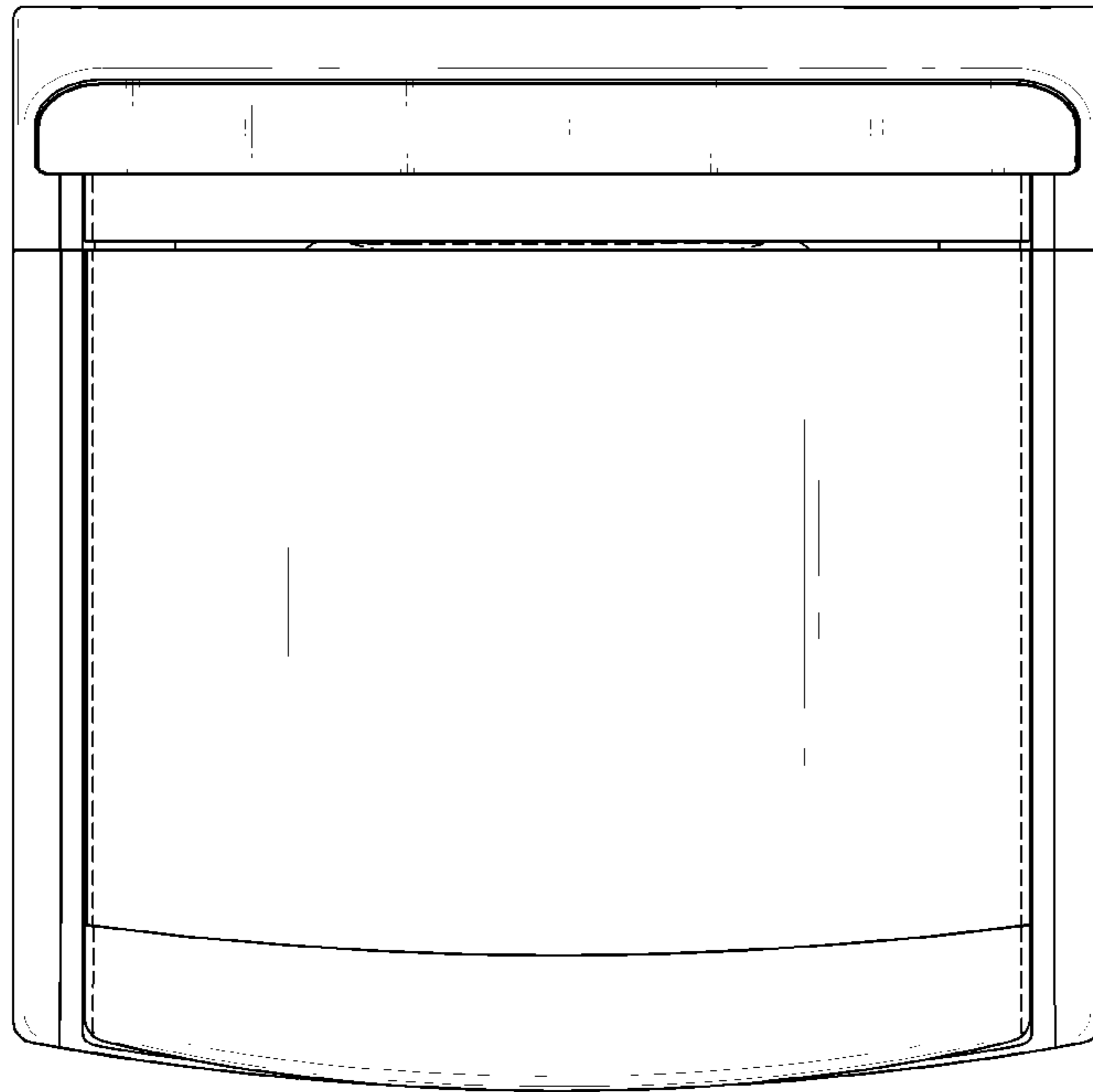


FIG. 7

