



US00D694963S

(12) **United States Design Patent**  
**Daniels**

(10) **Patent No.:** **US D694,963 S**  
(45) **Date of Patent:** **\*\* Dec. 3, 2013**

- (54) **RETRACTABLE PET LEASH**
- (71) Applicant: **Pet Projx, LLC**, New York, NY (US)
- (72) Inventor: **Jason Daniels**, New York, NY (US)
- (73) Assignee: **Pet Projx, LLC**, New York, NY (US)
- (\*\*) Term: **14 Years**
- (21) Appl. No.: **29/439,729**
- (22) Filed: **Dec. 14, 2012**
- (51) **LOC (9) Cl.** ..... **30-04**
- (52) **U.S. Cl.**  
USPC ..... **D30/153**
- (58) **Field of Classification Search**  
USPC ..... D30/144, 145, 146, 151, 152, 153, 199;  
D2/767, 500, 507, 602, 603, 604, 609,  
D2/627, 629, 639; D3/207, 208, 215;  
D11/1-6, 11, 86, 87, 200, 201, 215,  
D11/218, 231; 2/105, 129, 131, 133, 141.1,  
2/171, 242, 301, 311, 321, 322, 336, 338,  
2/908, 910, 911, 912, 916, 919, 920;  
119/174, 654, 769, 772, 790, 791, 792,  
119/793, 794, 795, 796, 797, 798, 815, 821,  
119/850, 855, 856, 858-860, 863-865,  
119/907; 63/1.12, 3, 3.1, 32, 35; 70/459;  
362/555, 570  
See application file for complete search history.

4,936,479	A *	6/1990	Levy et al.	220/4.21
D337,866	S	7/1993	Wiens	
5,230,480	A	7/1993	Perry	
D341,682	S	11/1993	Musetti	
5,377,626	A	1/1995	Kilsby et al.	
D379,689	S	6/1997	Levine et al.	
5,890,456	A *	4/1999	Tancrede	119/794
D410,117	S	5/1999	Ball et al.	
6,240,881	B1 *	6/2001	Edwards et al.	119/795
D448,892	S	10/2001	Hans	
D469,125	S *	1/2003	Jacquet	D19/53
6,526,918	B1	3/2003	Arnold	
6,792,893	B1	9/2004	Quintero et al.	

(Continued)

**FOREIGN PATENT DOCUMENTS**

DE	1959153	5/1971
GB	2467434 A	8/2010
JP	1394347	8/2010
WO	WO-2011107833	9/2011

*Primary Examiner* — Caron D Veynar

*Assistant Examiner* — Martie K Holtje

(74) *Attorney, Agent, or Firm* — Venable LLP

(57) **CLAIM**

The ornamental design for a retractable pet leash, as shown and described.

**DESCRIPTION**

FIG. 1 is a right front perspective view of a retractable pet leash showing my new design;

FIG. 2 is a front elevational view thereof;

FIG. 3 is a rear elevational view thereof;

FIG. 4 is a left side elevational view thereof;

FIG. 5 is a right side elevational view thereof;

FIG. 6 is a top plan view thereof; and,

FIG. 7 is a bottom plan view thereof.

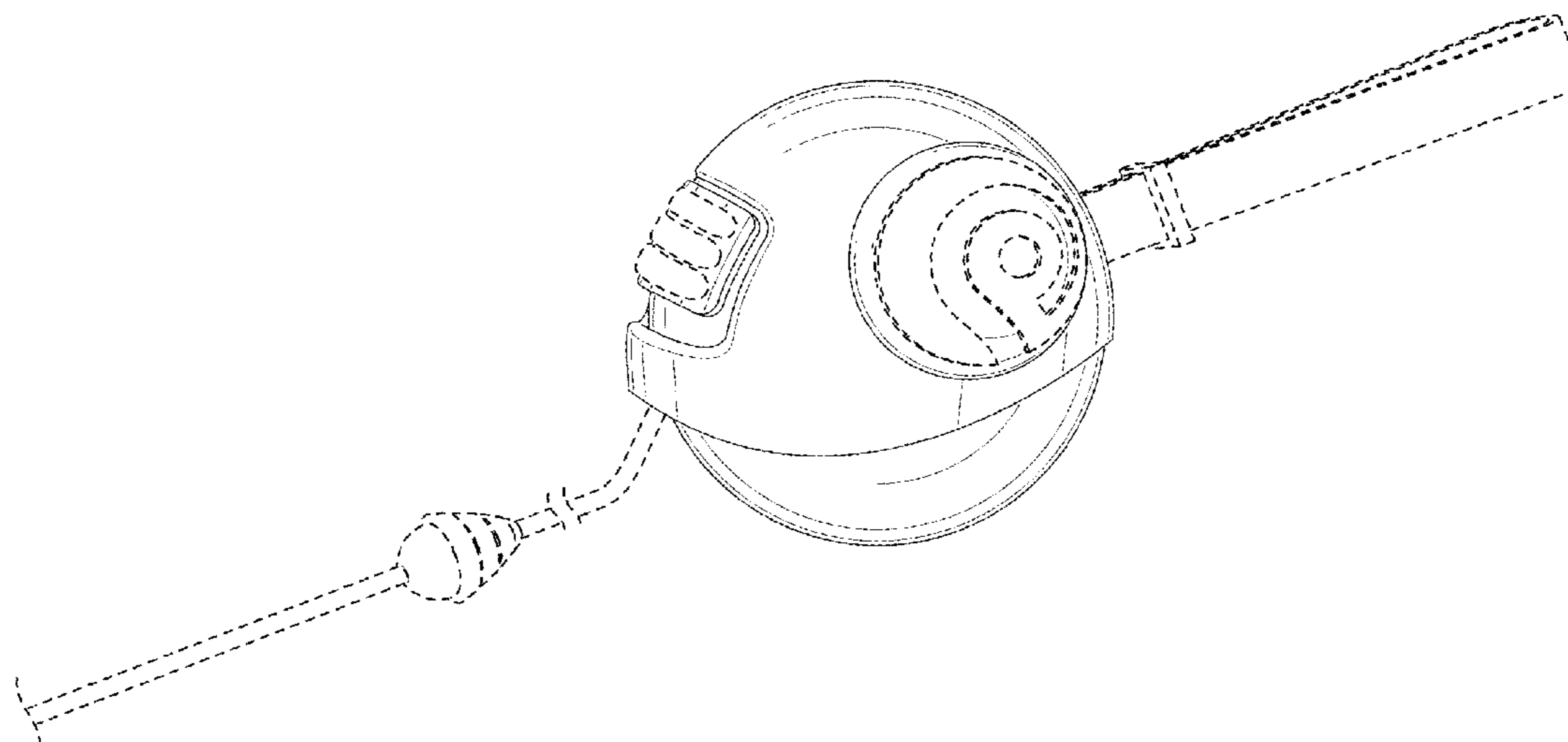
The features shown in broken lines are environment only and not part of the claimed design.

**1 Claim, 6 Drawing Sheets**

(56) **References Cited**

**U.S. PATENT DOCUMENTS**

D128,606	S *	8/1941	Stickell	D30/153
2,833,250	A	5/1958	Beebe	
2,919,676	A *	1/1960	Schneider	119/796
3,198,175	A *	8/1965	Dean	119/796
3,937,418	A	2/1976	Critelli	
4,402,472	A	9/1983	Burtscher	
4,657,201	A	4/1987	Munroe	



(56)

References Cited

U.S. PATENT DOCUMENTS

6,845,736 B1	1/2005	Anderson		D643,161 S	8/2011	Leedom et al.
6,845,737 B1 *	1/2005	Austin	119/796	D651,366 S	12/2011	Fisher et al.
6,904,872 B2	6/2005	Muller		8,201,964 B2	6/2012	Mattheis
D541,489 S	4/2007	Johnson et al.		8,230,822 B2	7/2012	Smith
D553,307 S	10/2007	Ko		8,256,385 B2	9/2012	Goldenberg
D560,522 S *	1/2008	Farnworth et al.	D10/72	2006/0070584 A1	4/2006	Larouche
D568,692 S *	5/2008	Lam	D7/629	2006/0207522 A1	9/2006	Perkitny
D571,405 S *	6/2008	Boulais	D19/69	2009/0120376 A1 *	5/2009	Foster
7,461,615 B2	12/2008	Albright		2009/0178627 A1 *	7/2009	Bentz et al.
D590,444 S *	4/2009	Farnworth et al.	D19/73	2009/0217886 A1	9/2009	Lopusnak et al.
D596,356 S	7/2009	Danieli		2010/0037832 A1	2/2010	Smith
D610,315 S	2/2010	Lopusnak et al.		2010/0107992 A1	5/2010	Chefetz
D610,752 S	2/2010	Roediger		2010/0243783 A1	9/2010	Hermann, II
D613,002 S *	3/2010	Lopusnak et al.	D30/153	2010/0326371 A1	12/2010	Lopusnak et al.
D621,562 S	8/2010	Marshall		2011/0023794 A1	2/2011	Smith
D640,426 S	6/2011	Okumura et al.		2011/0114032 A1	5/2011	Reed
7,980,202 B2	7/2011	Bentz et al.		2011/0139090 A1	6/2011	Harruna
				2011/0197820 A1	8/2011	Goldy et al.
				2011/0220036 A1	9/2011	Matthews
				2012/0006284 A1	1/2012	Messner

\* cited by examiner

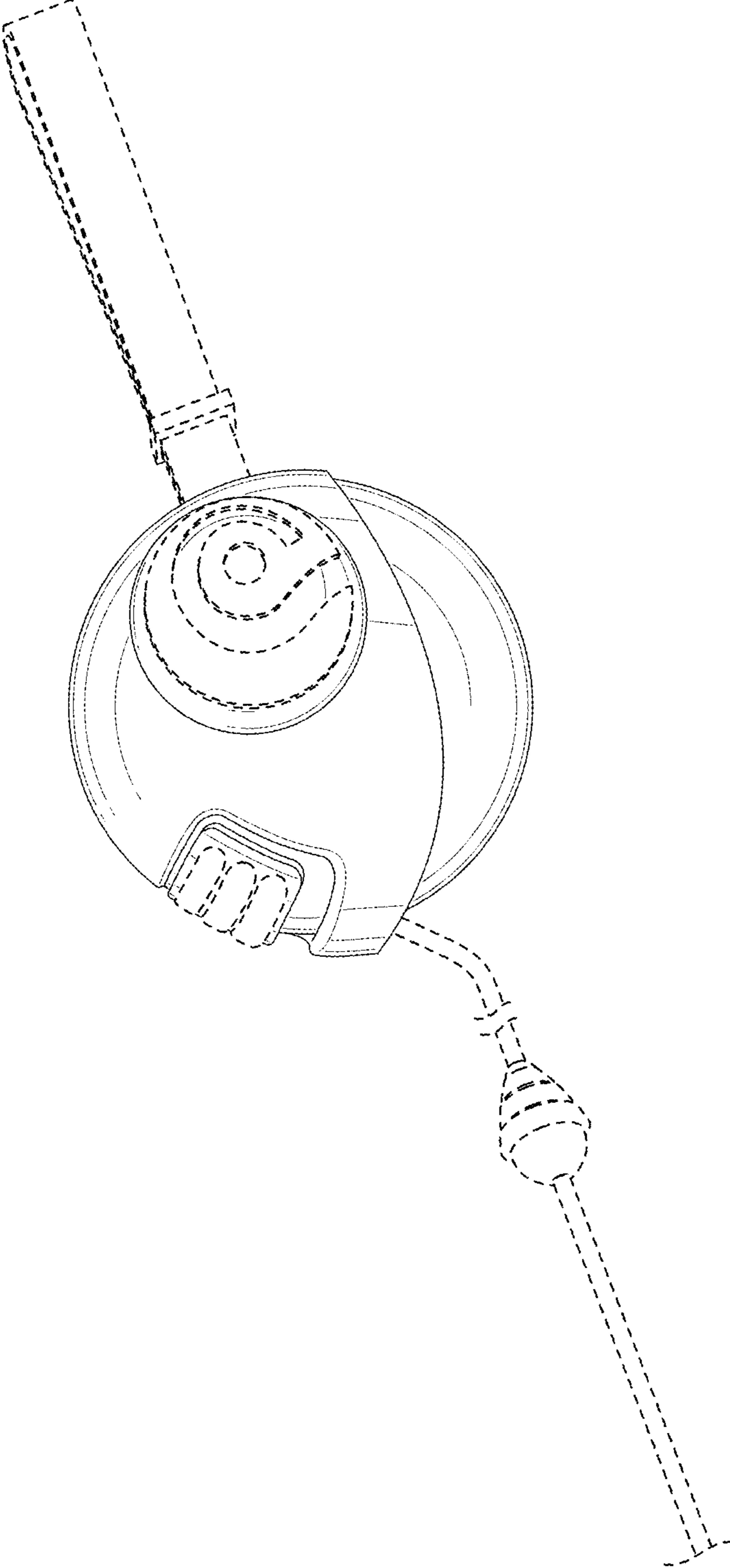


FIG. 1

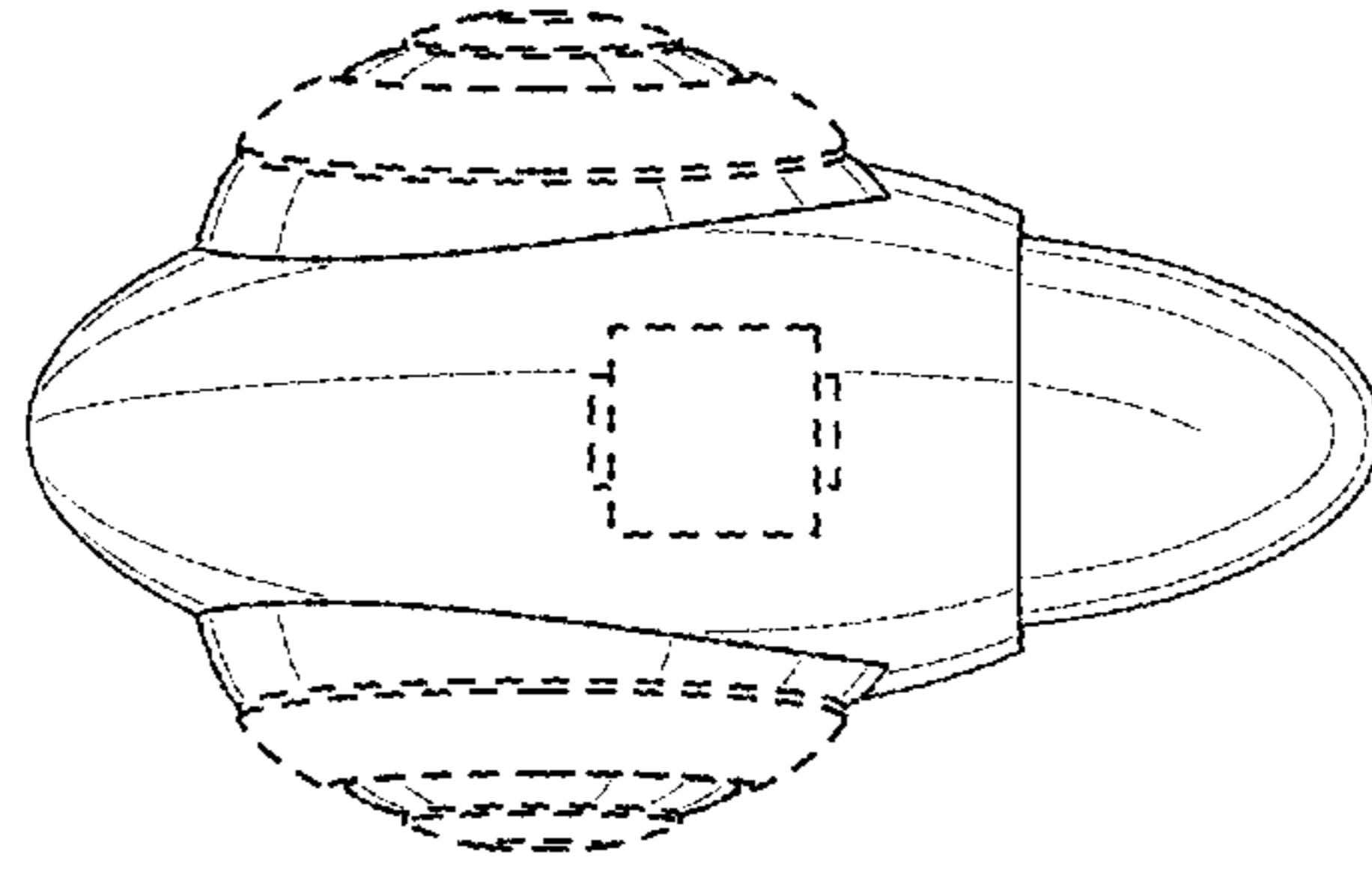


FIG. 3

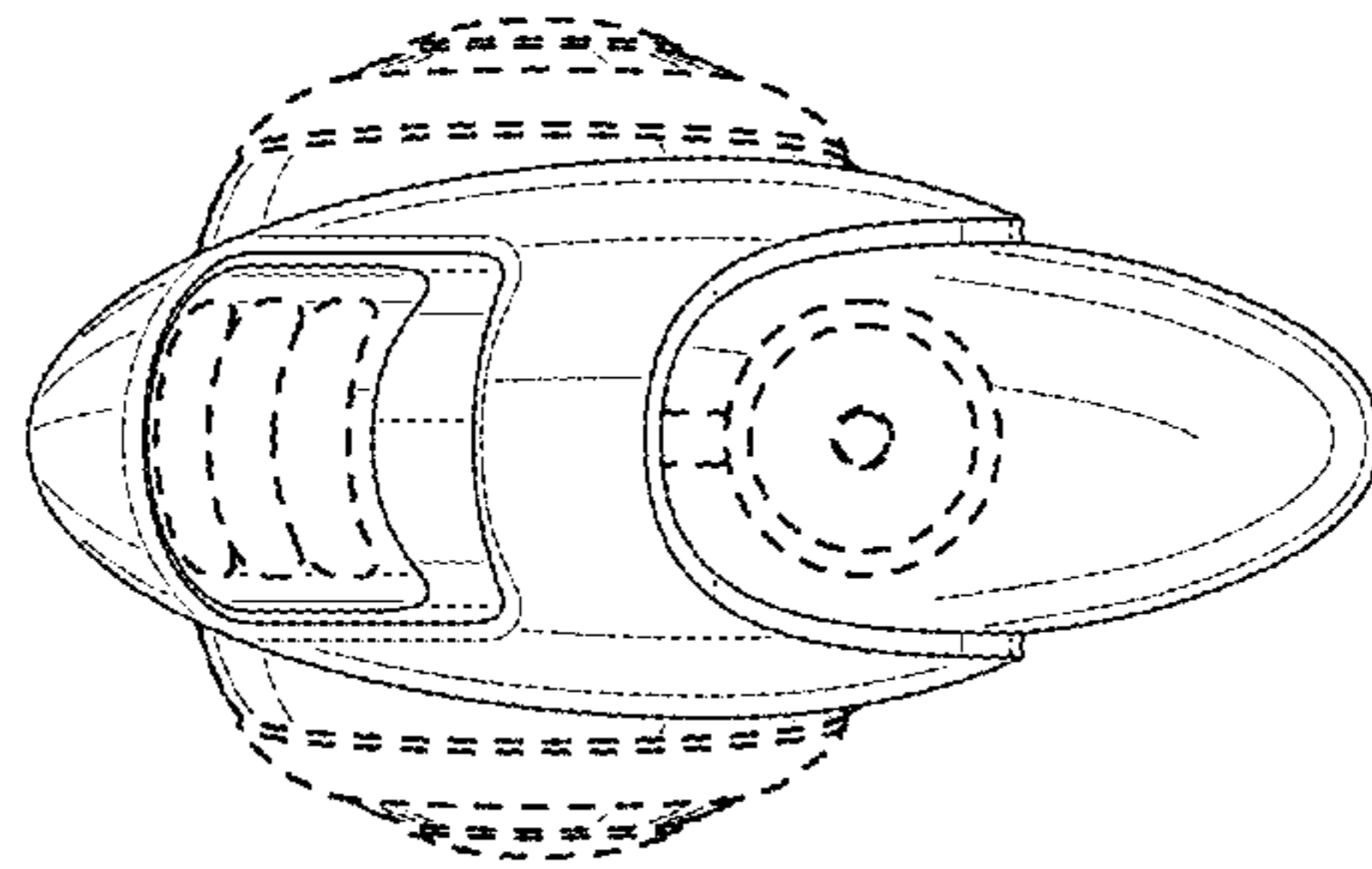


FIG. 2

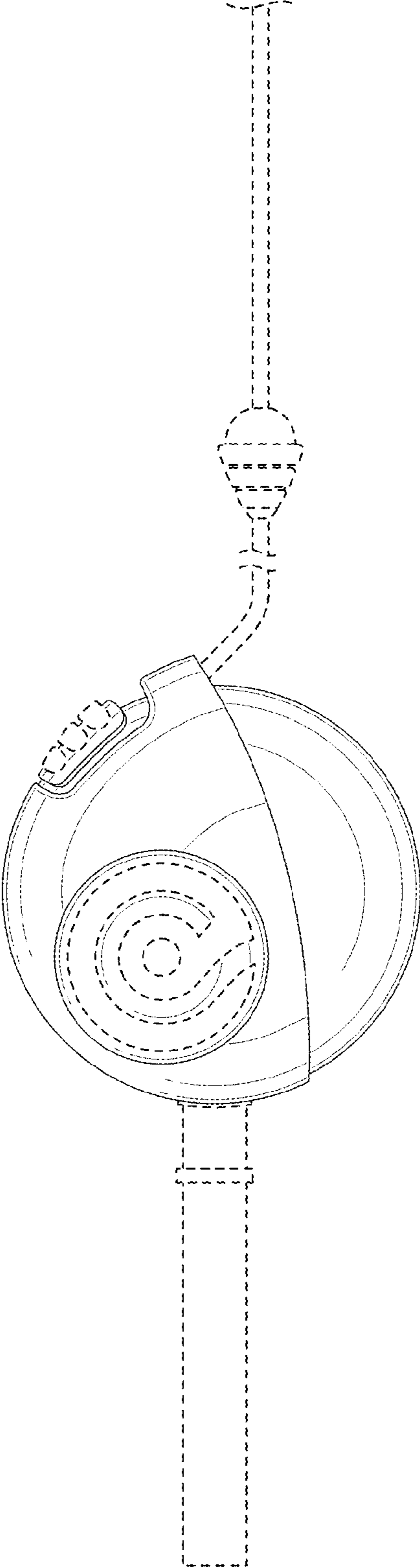


FIG. 4

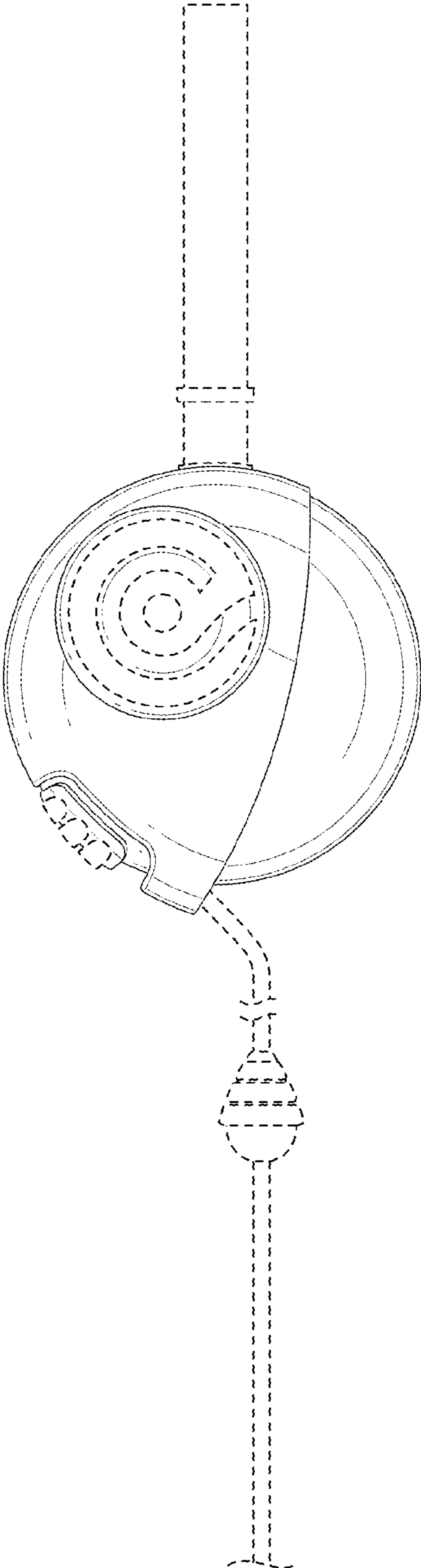


FIG. 5

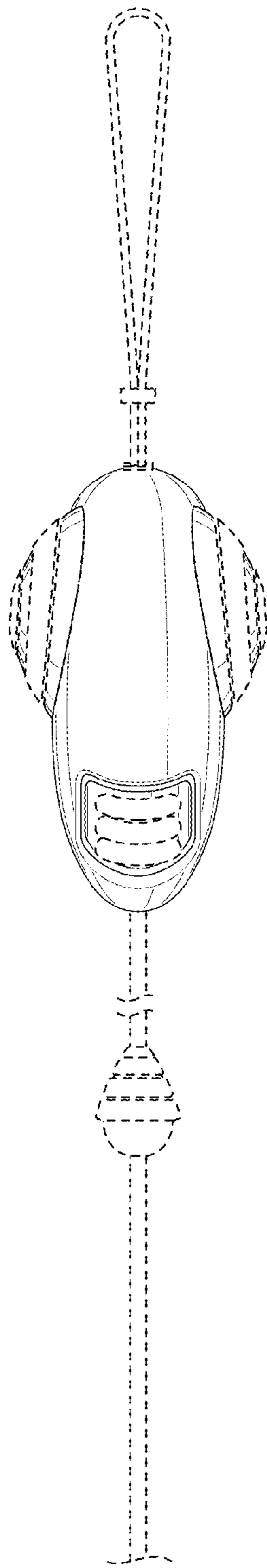


FIG. 6

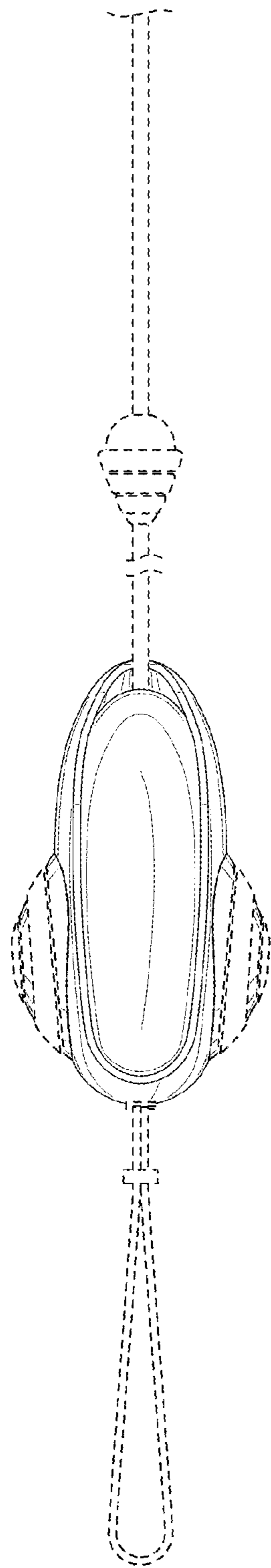


FIG. 7