



US00D694961S

(12) **United States Design Patent**  
**Skaggs**

(10) **Patent No.:** **US D694,961 S**

(45) **Date of Patent:** **\*\* Dec. 3, 2013**

(54) **PET CARRIER**

(71) Applicant: **Craig Skaggs**, Troy, IL (US)

(72) Inventor: **Craig Skaggs**, Troy, IL (US)

(73) Assignee: **Pet Cooler Carrier, LLC**, Troy, IL (US)

(\*\*) Term: **14 Years**

(21) Appl. No.: **29/445,635**

(22) Filed: **Feb. 14, 2013**

(51) **LOC (9) Cl.** ..... **30-02**

(52) **U.S. Cl.**  
USPC ..... **D30/109**

(58) **Field of Classification Search**  
USPC ..... D30/108–109, 112–117, 160–161;  
119/452–453, 474, 481–482, 489, 491,  
119/494, 496–498, 501, 513–514  
See application file for complete search history.

(56) **References Cited**

**U.S. PATENT DOCUMENTS**

315,925	A	4/1885	Evans	
3,577,957	A	5/1971	Sandig	
3,985,104	A	10/1976	Klemer	
4,899,693	A	2/1990	Arnold	
D308,429	S *	6/1990	VanSkiver	D30/109
5,016,570	A *	5/1991	Henson	119/497
D331,131	S *	11/1992	Quillen	D30/109
5,245,951	A	9/1993	Nicholson	
5,349,924	A	9/1994	Hooper, Jr.	
5,692,386	A	12/1997	Casey, Sr.	
5,761,992	A	6/1998	Gallo	
5,887,436	A	3/1999	Duddleston	
6,196,975	B1 *	3/2001	Labrecque et al.	119/453
D445,222	S *	7/2001	Ross	D30/108
6,427,631	B1 *	8/2002	Ross	119/453
6,840,193	B2 *	1/2005	Kost et al.	119/482
D545,507	S *	6/2007	Harper et al.	D30/108

D546,005	S *	7/2007	Harper et al.	D30/108
7,322,314	B1	1/2008	Sweeney	
7,347,164	B2	3/2008	Axelrod et al.	
D566,907	S *	4/2008	Barca	D30/109
7,513,217	B1	4/2009	Leach	
D603,112	S *	10/2009	Pergolski	D30/161
D608,954	S *	1/2010	Tharp	D30/109
D615,251	S *	5/2010	Scherbing	D30/109
7,779,645	B2	8/2010	Heimbach	
7,984,624	B2	7/2011	Leitner	
D671,691	S *	11/2012	Neilan	D30/108
D678,623	S *	3/2013	Iranyi et al.	D30/109
D680,696	S *	4/2013	Hammel	D30/108
2010/0043716	A1	2/2010	Klanke	

**OTHER PUBLICATIONS**

Skaggs, Craig; "Pet Carrier"; Design U.S. Appl. No. 29/446,011, filed Feb. 19, 2013 (27 pages).

\* cited by examiner

*Primary Examiner* — Cathy A MacCormac  
(74) *Attorney, Agent, or Firm* — Polsinelli PC

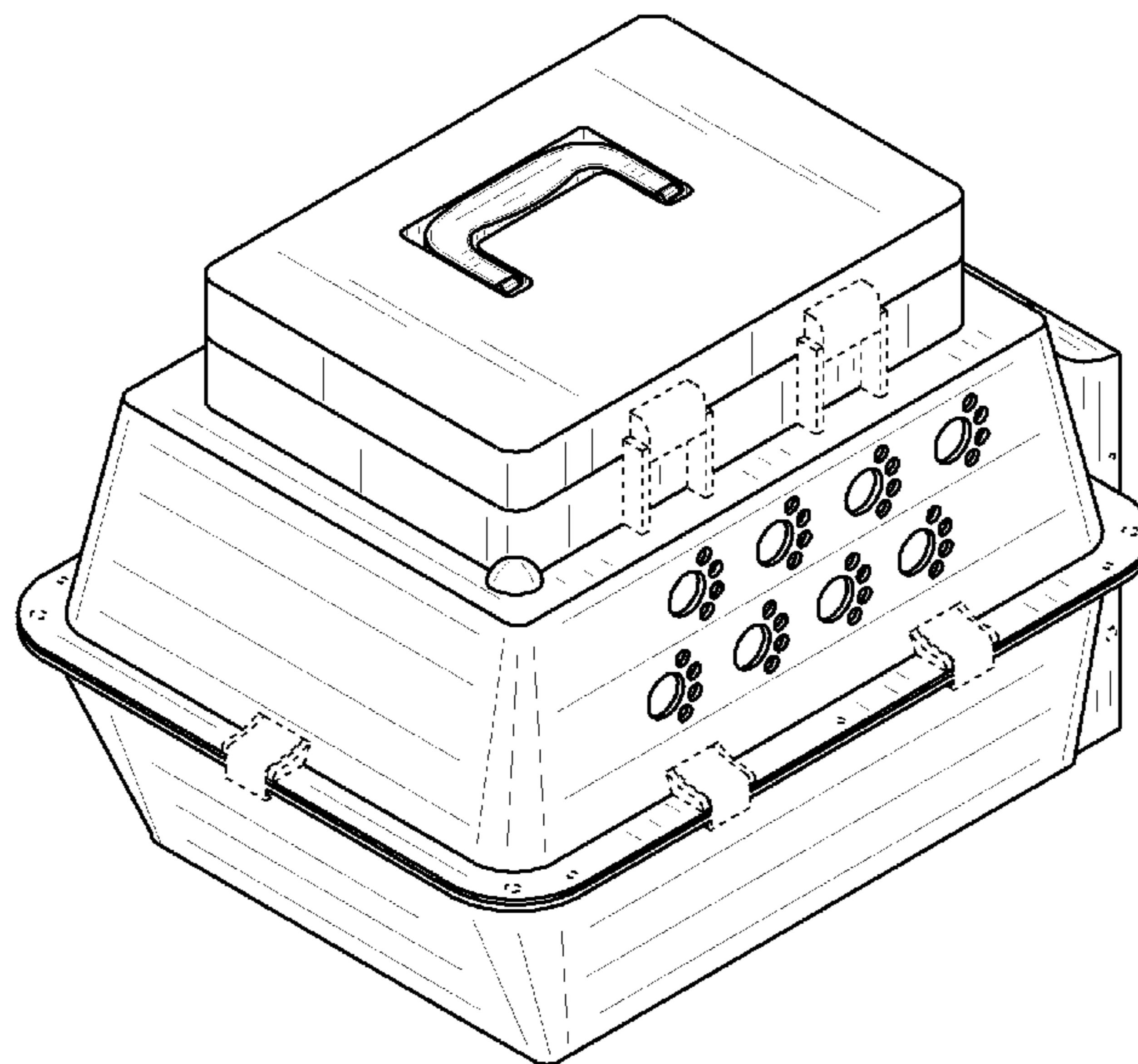
(57) **CLAIM**

The ornamental design for a pet carrier, as shown and described.

**DESCRIPTION**

FIG. 1 is a rear perspective view of the pet carrier;  
FIG. 2 is a left side view of the pet carrier;  
FIG. 3 is a right side view of the pet carrier;  
FIG. 4 is a rear view of the pet carrier;  
FIG. 5 is a front view of the pet carrier;  
FIG. 6 is a top view of the pet carrier; and,  
FIG. 7 is a bottom view of the pet carrier.  
The broken lines showing in FIGS. 1-7 are included for the purpose of illustrating portions of the pet carrier that form no part of the claimed design.

**1 Claim, 4 Drawing Sheets**



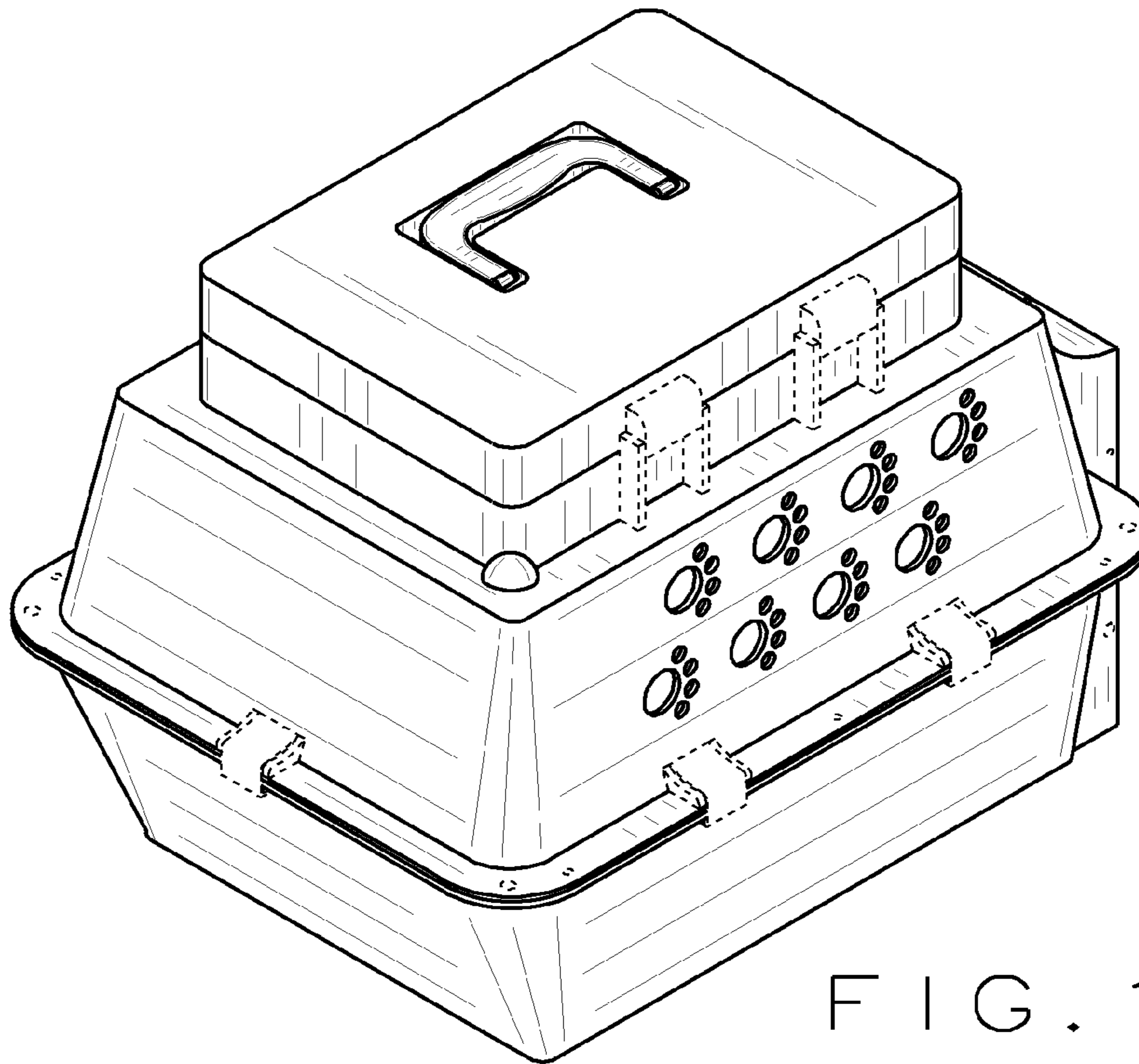


FIG. 1

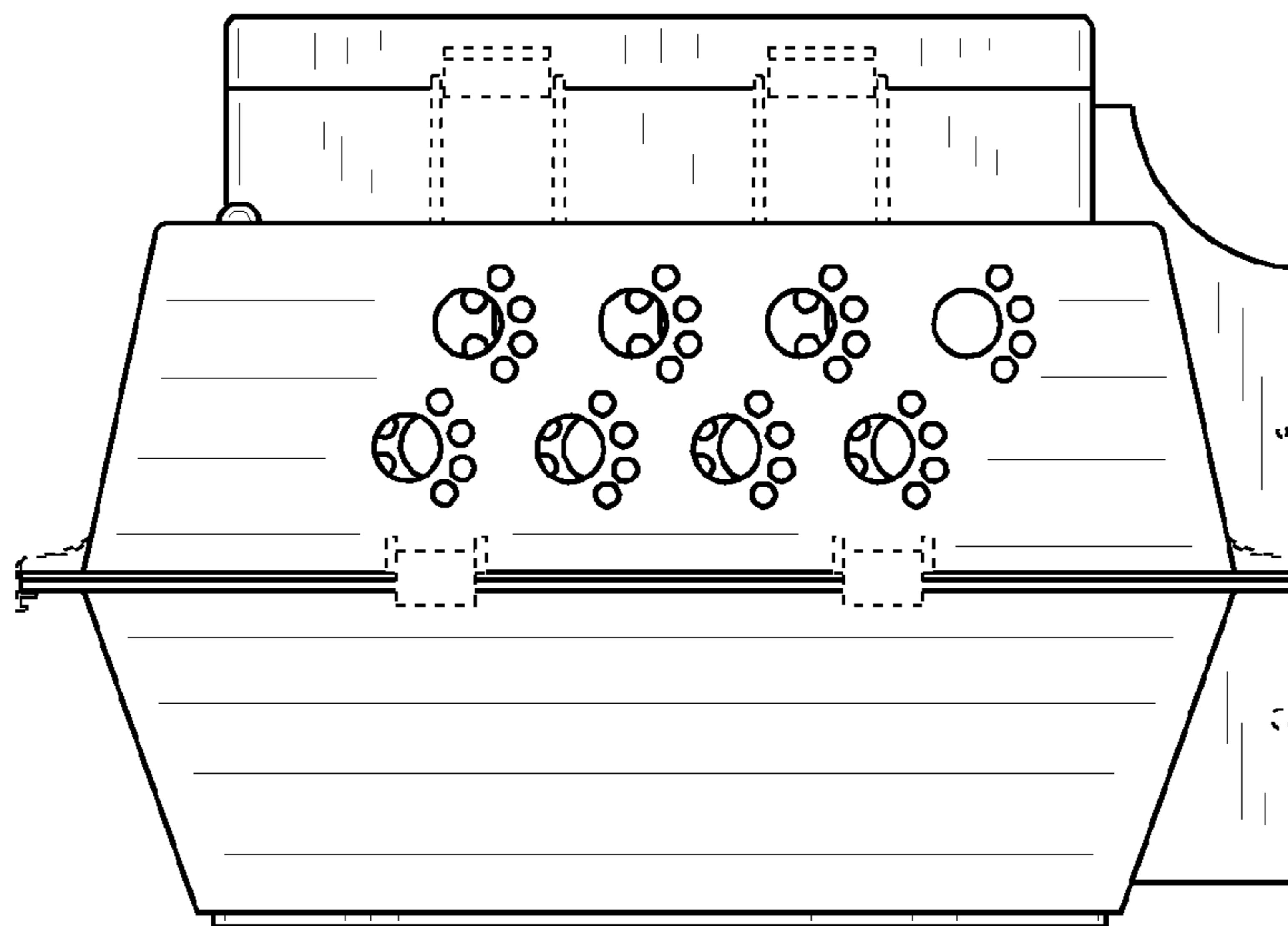


FIG. 2

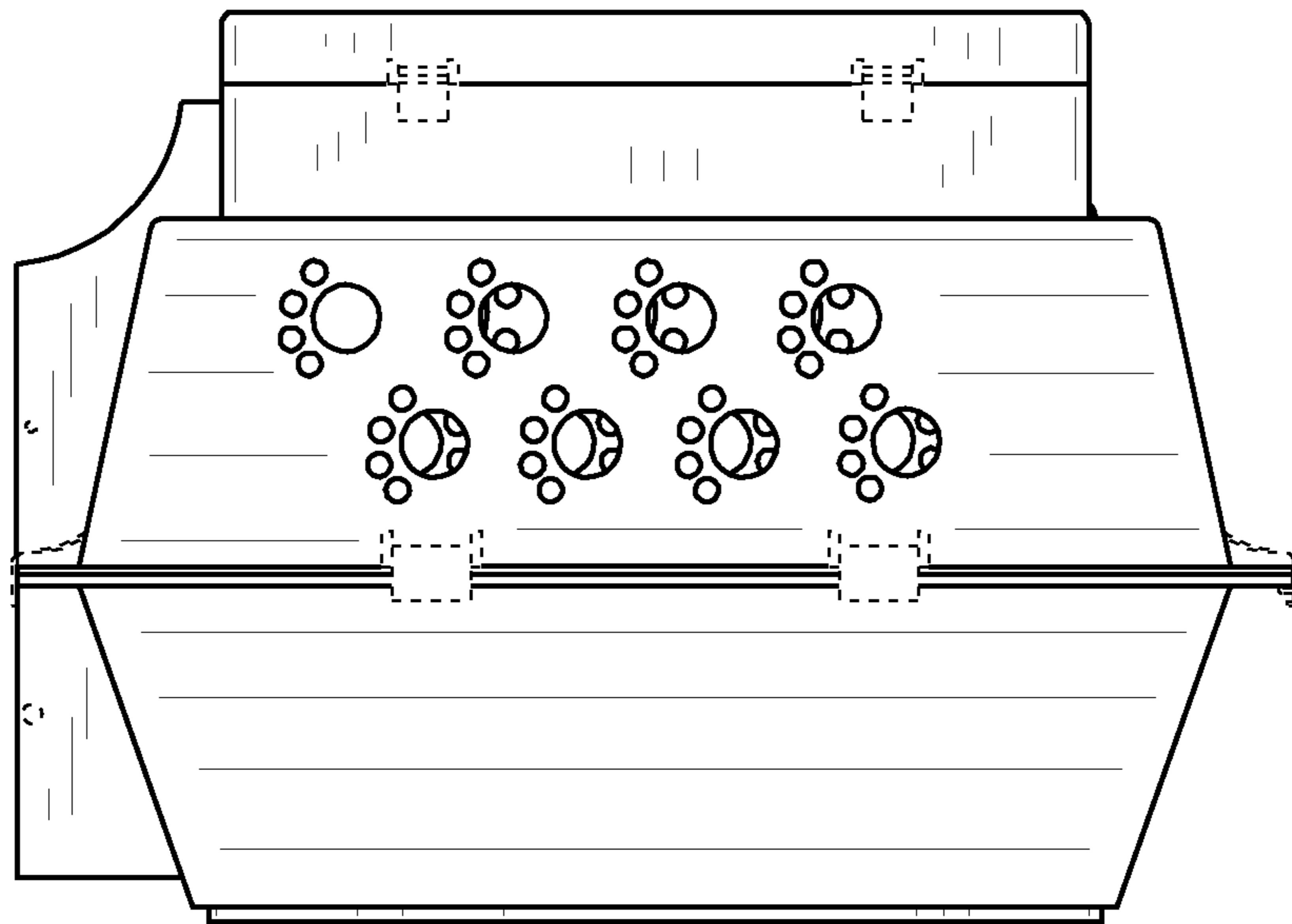


FIG. 3

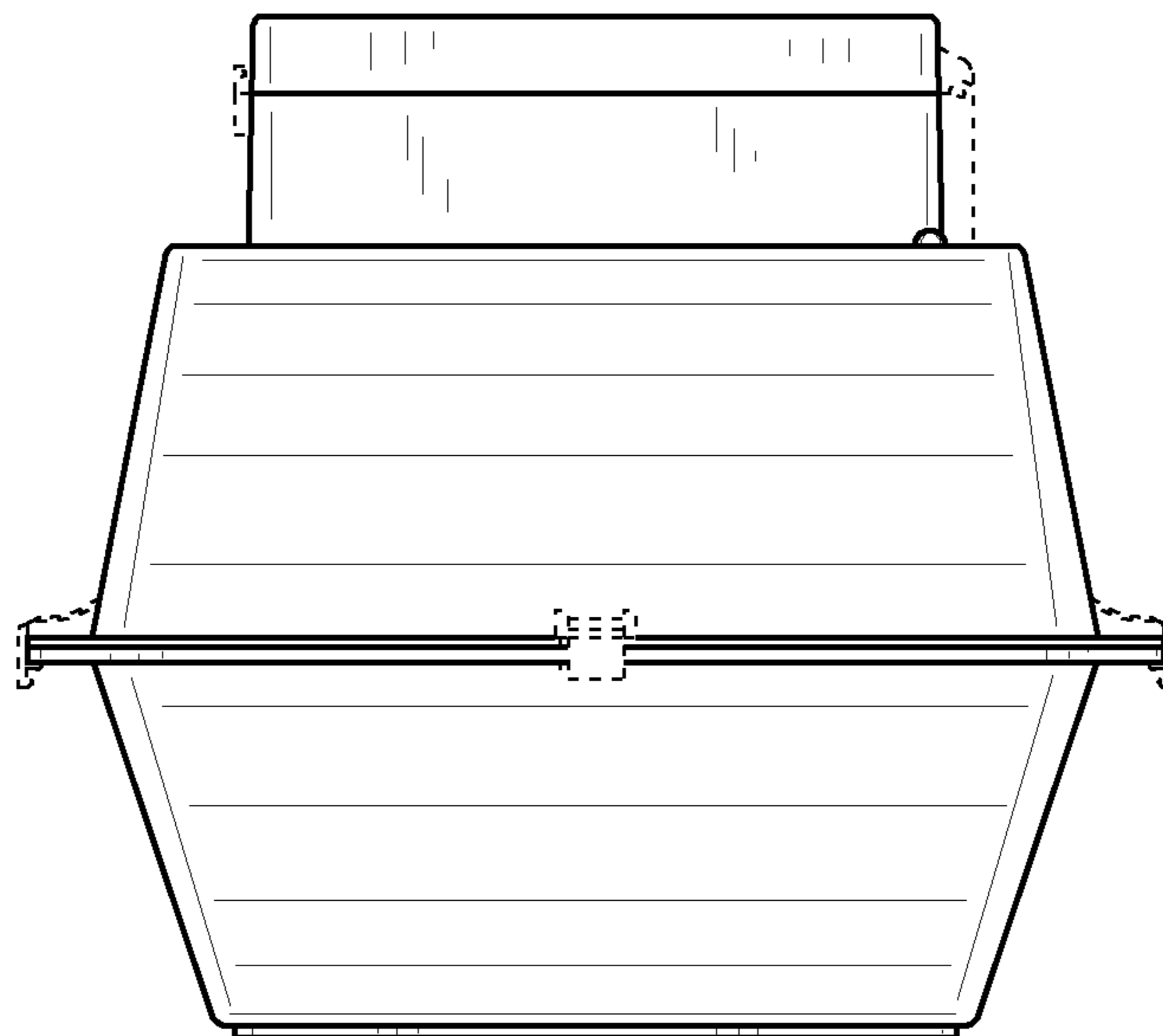


FIG. 4

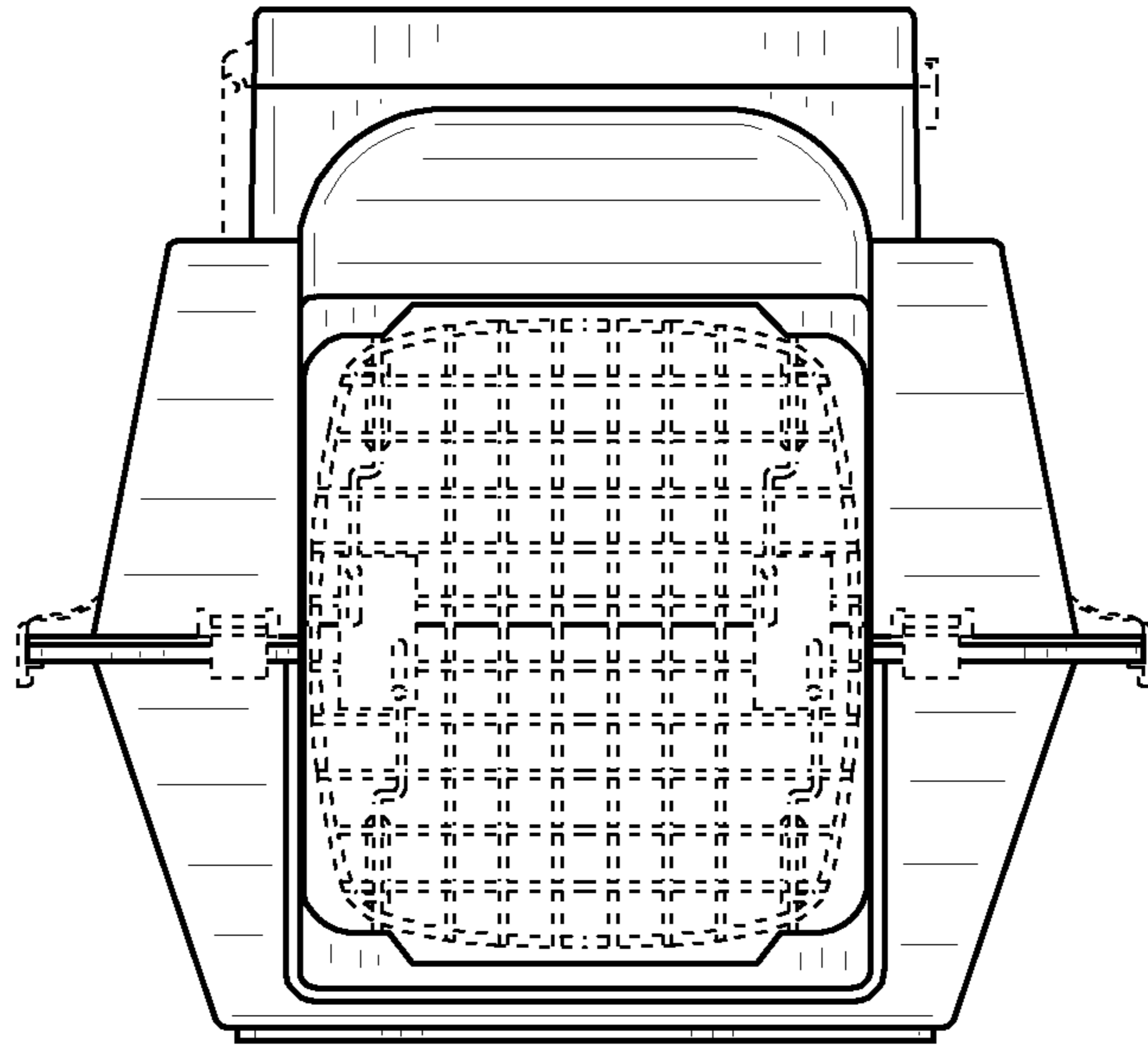


FIG. 5

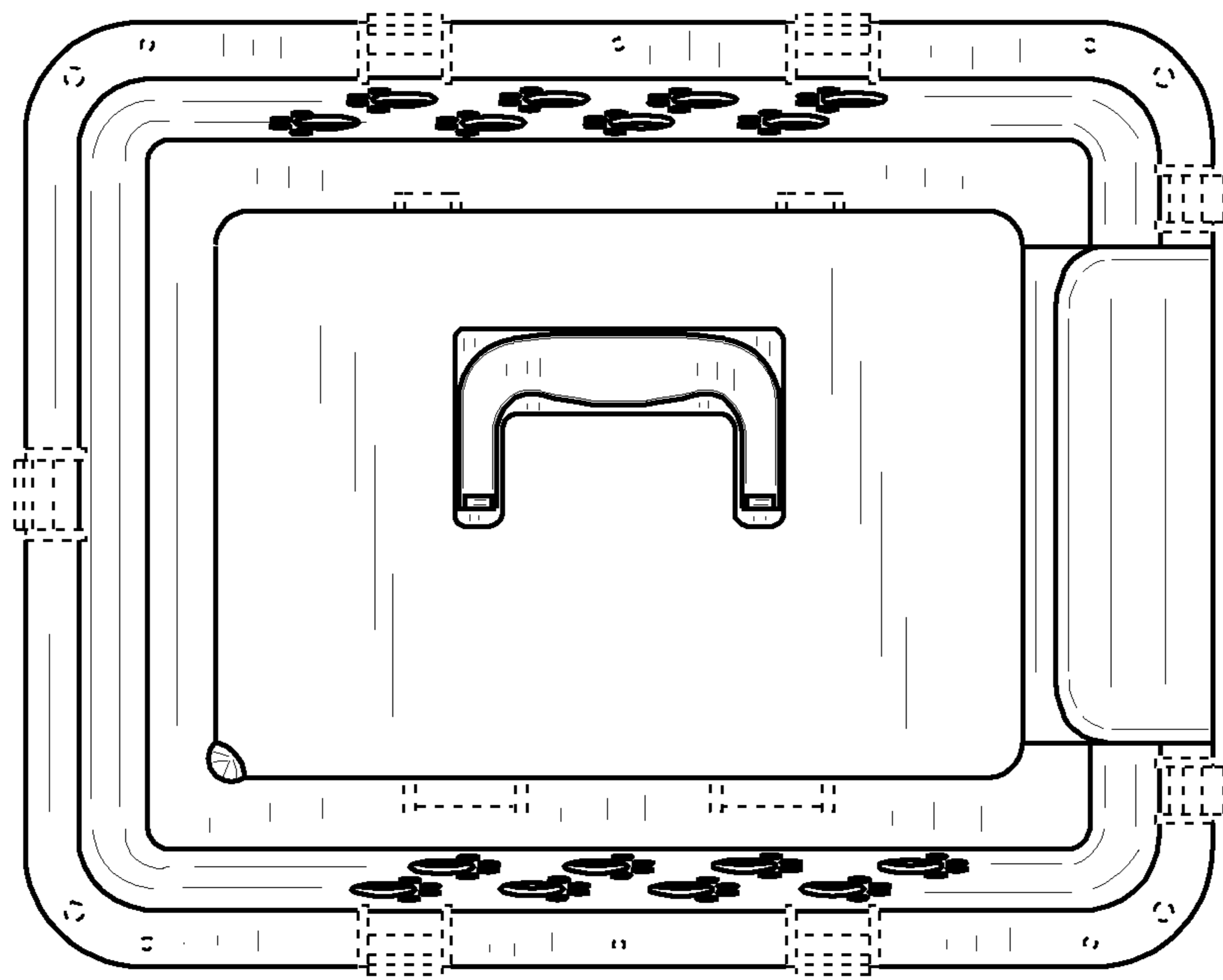


FIG. 6

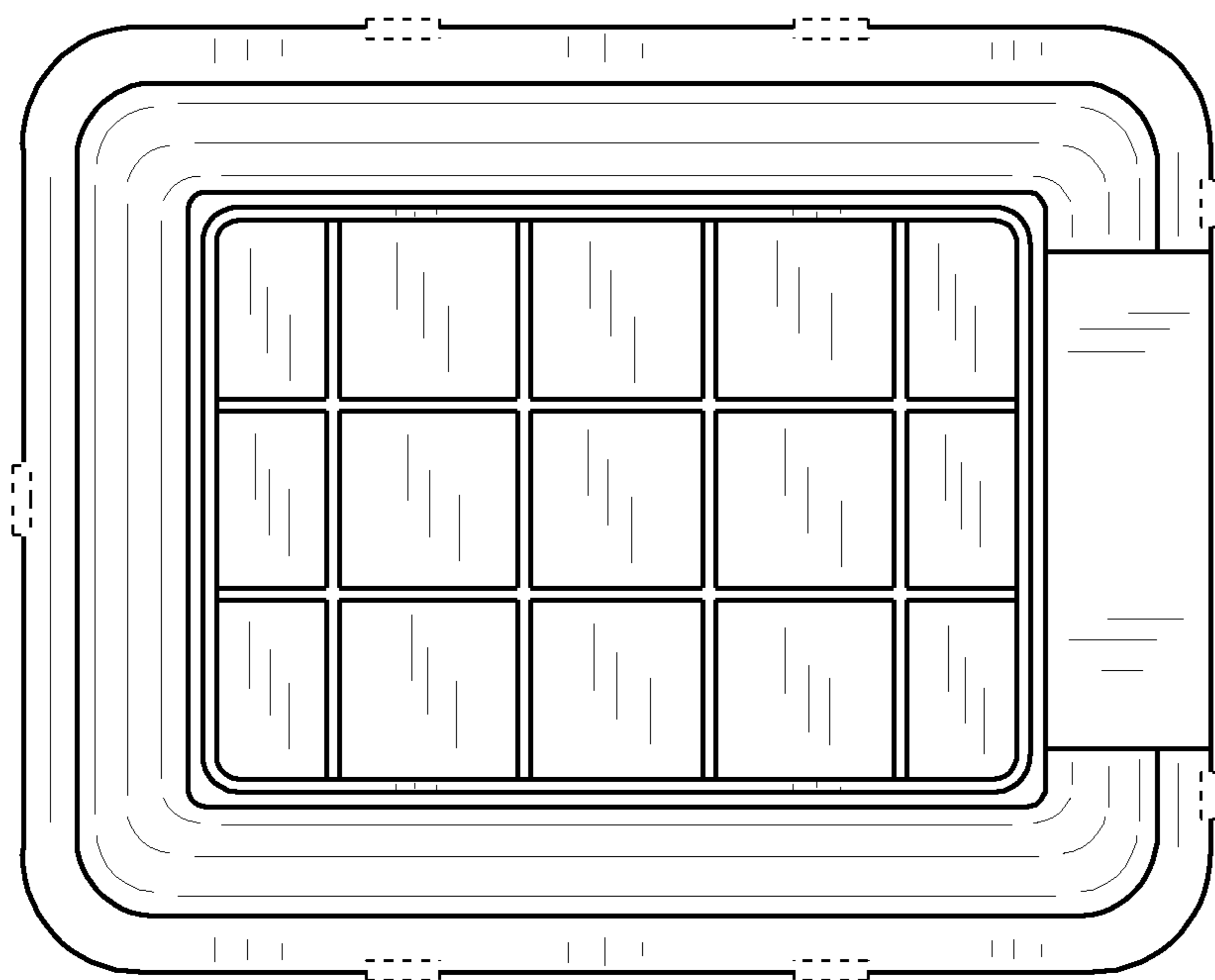


FIG. 7