



US00D694949S

(12) **United States Design Patent**  
**Bracher**

(10) **Patent No.:** **US D694,949 S**  
(45) **Date of Patent:** **\*\* Dec. 3, 2013**

(54) **LIGHT FIXTURE**

(75) Inventor: **Todd Bracher**, Brooklyn, NY (US)

(73) Assignee: **Swarovski Lighting, Ltd.**, Plattsburgh, NY (US)

(\*\*) Term: **14 Years**

(21) Appl. No.: **29/389,032**

(22) Filed: **Apr. 6, 2011**

(51) **LOC (9) Cl.** ..... **26-99**

(52) **U.S. Cl.**  
USPC ..... **D26/142**

(58) **Field of Classification Search**  
USPC ..... D26/80-92, 128, 143, 144; 362/147,  
362/404-408  
See application file for complete search history.

(56) **References Cited**

**U.S. PATENT DOCUMENTS**

D305,695	S	*	1/1990	Segill et al.	.....	D26/86
5,241,460	A	*	8/1993	Schonbek	.....	362/405
5,921,668	A	*	7/1999	Bayer	.....	362/404
D490,557	S	*	5/2004	Cuevas et al.	.....	D26/81
D557,854	S	*	12/2007	Lewis	.....	D26/81
D603,551	S	*	11/2009	Carlson	.....	D26/81

D606,233	S	*	12/2009	Benghozi	.....	D26/88
D660,510	S	*	5/2012	Bracher	.....	D26/143
D666,354	S	*	8/2012	Bracher	.....	D26/143

**OTHER PUBLICATIONS**

Jan. 2010 edition of "Elle Decoration", p. 137.  
<http://www.designspongeonline.com/2007/11/chandelier-guide.html>; Nov. 26, 2007, 1 pg.

\* cited by examiner

*Primary Examiner* — Zenia Bennett

(74) *Attorney, Agent, or Firm* — Heslin Rothenberg Farley & Mesiti P.C.

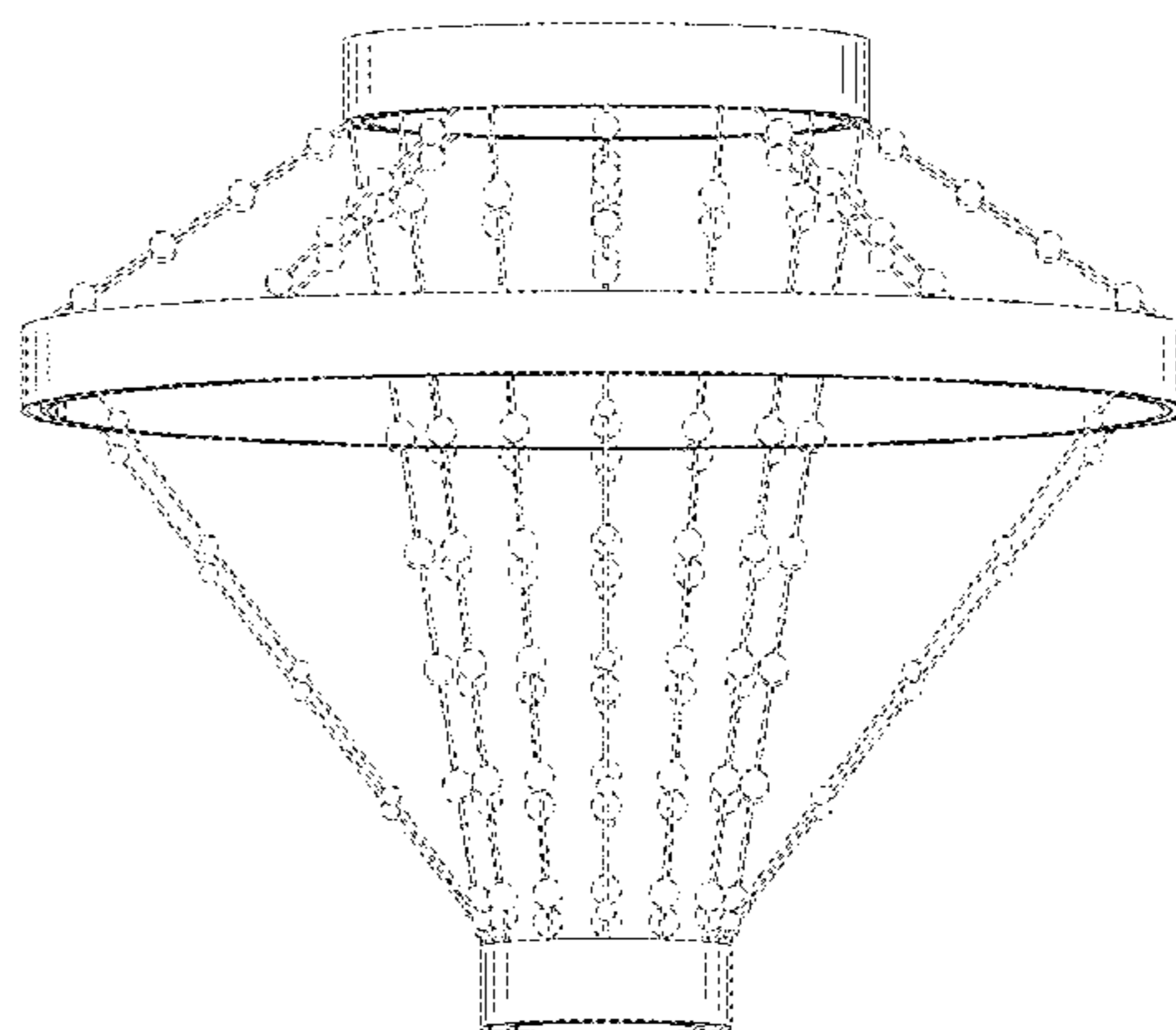
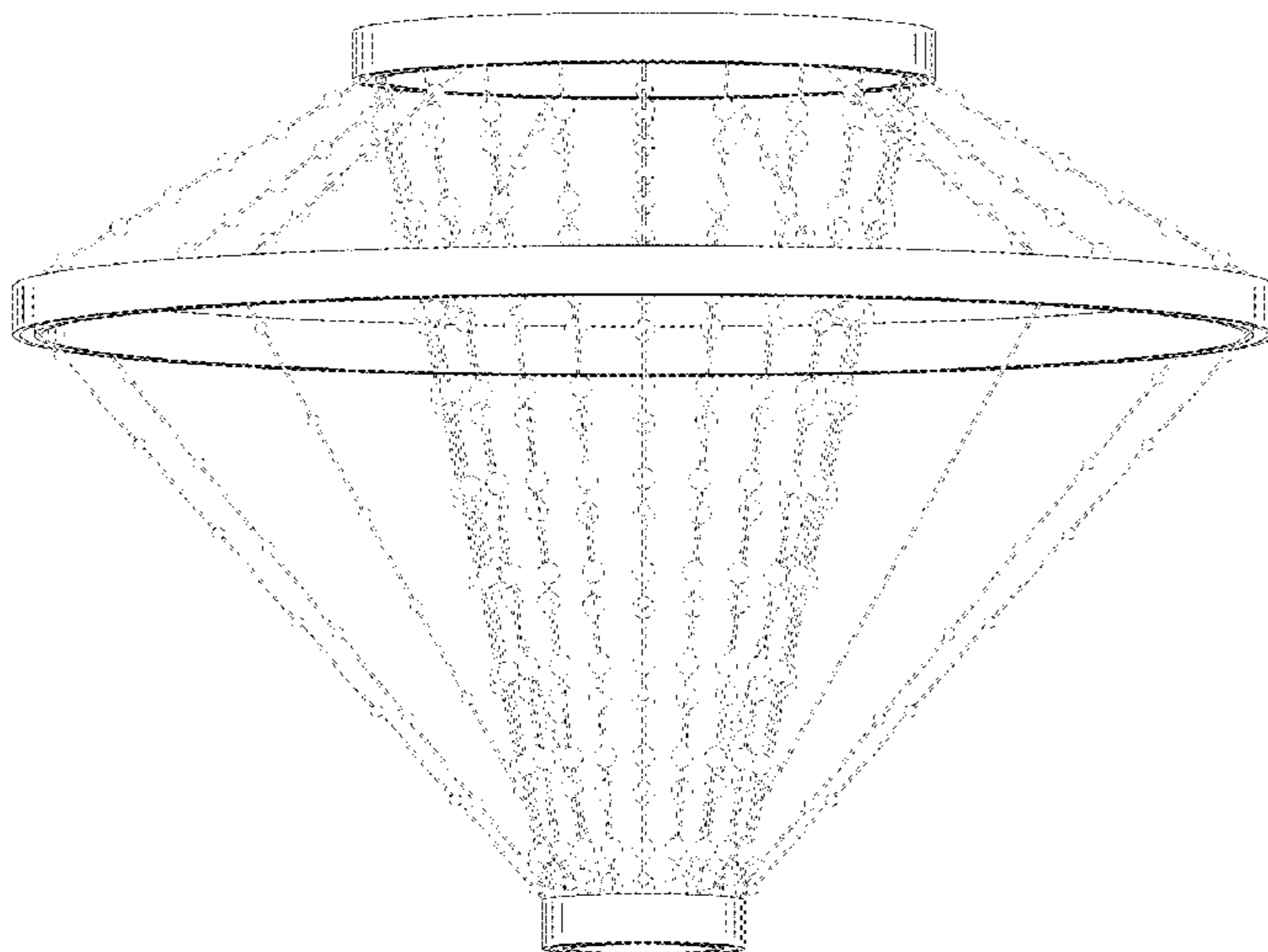
(57) **CLAIM**

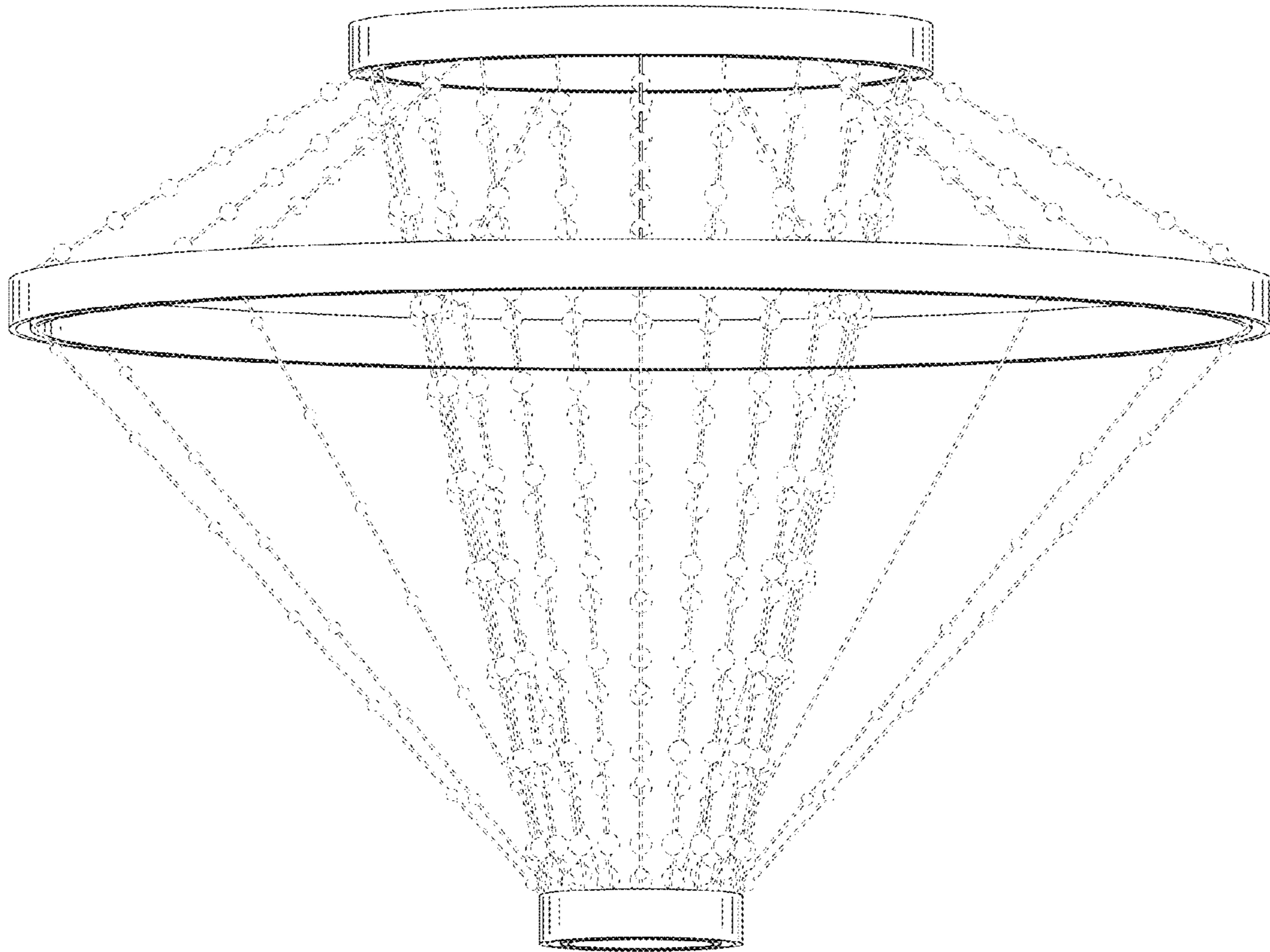
The ornamental design for a light fixture, as shown and described.

**DESCRIPTION**

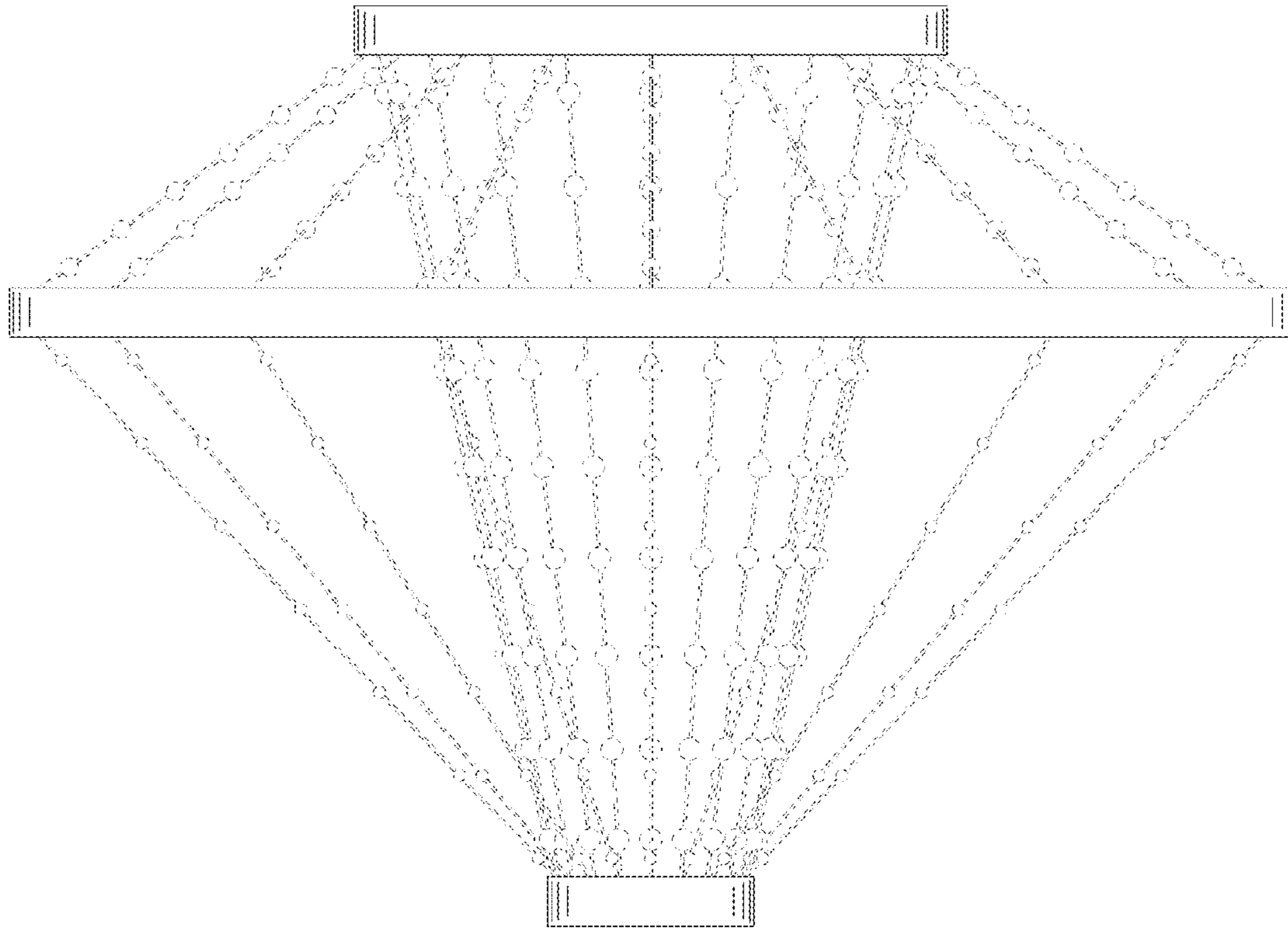
FIG. 1 is a perspective view of a first embodiment of the light fixture of the present design;  
FIG. 2 is a front elevation view thereof;  
FIG. 3 is a top plan view thereof;  
FIG. 4 is a bottom plan view thereof;  
FIG. 5 is a right side elevation view thereof;  
FIG. 6 is a rear elevation view thereof;  
FIG. 7 is a left side elevation view thereof; and,  
FIG. 8 is a perspective view of a second embodiment smaller in size than the first embodiment.  
The broken lines in the figures are for illustrative purposes only and form no part of the claimed invention.

**1 Claim, 8 Drawing Sheets**

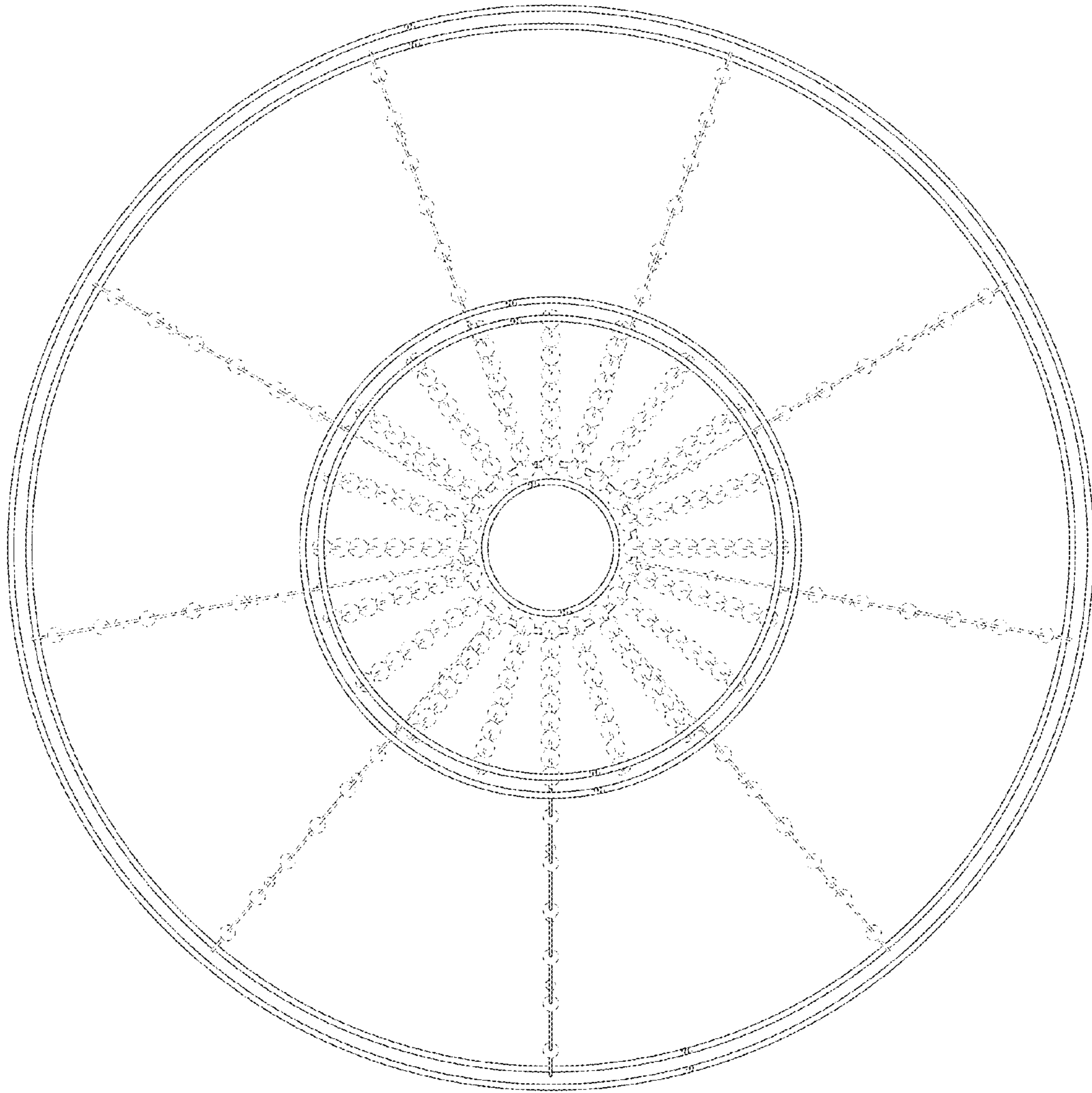




**FIG. 1**

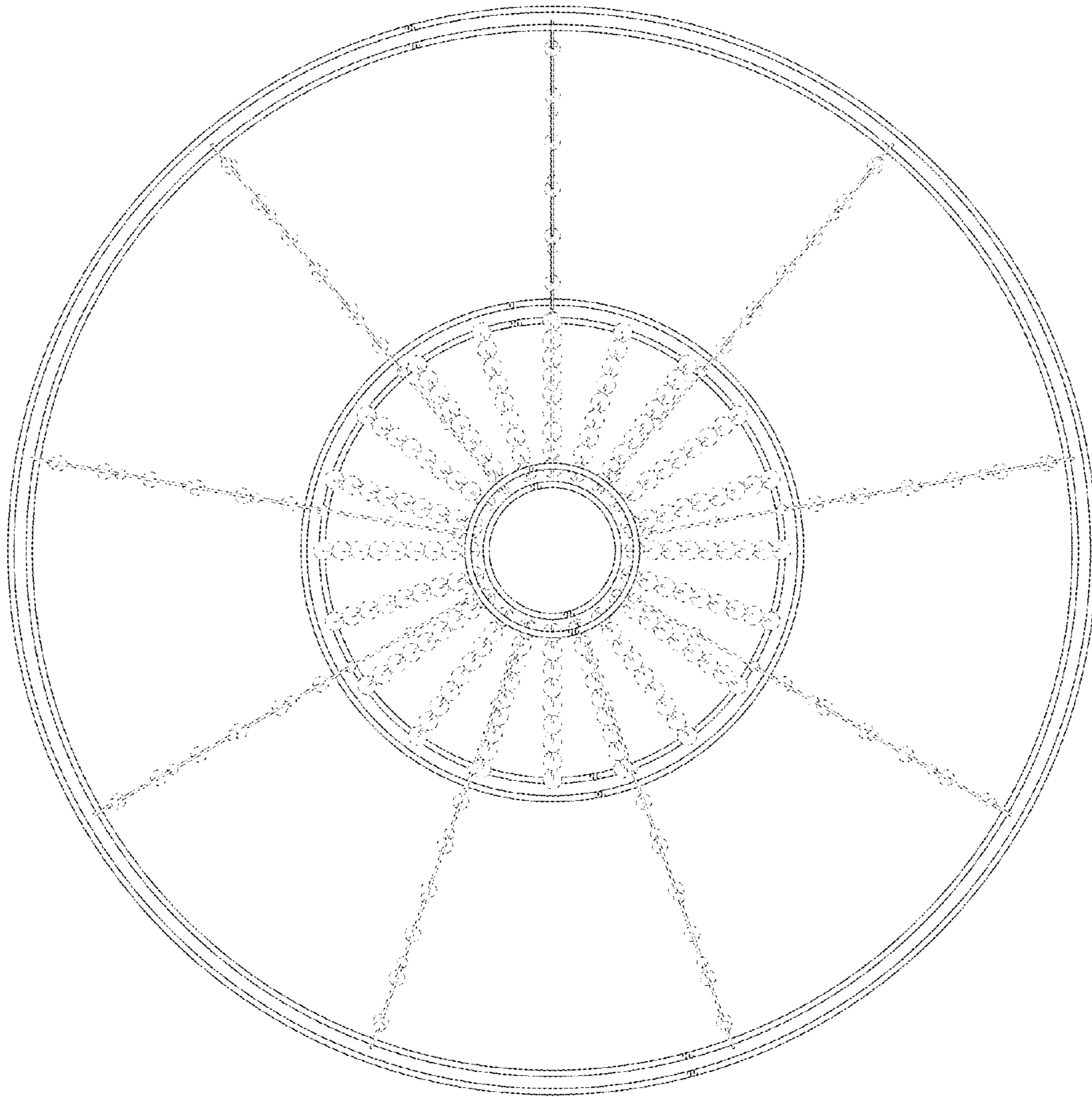


**FIG. 2**

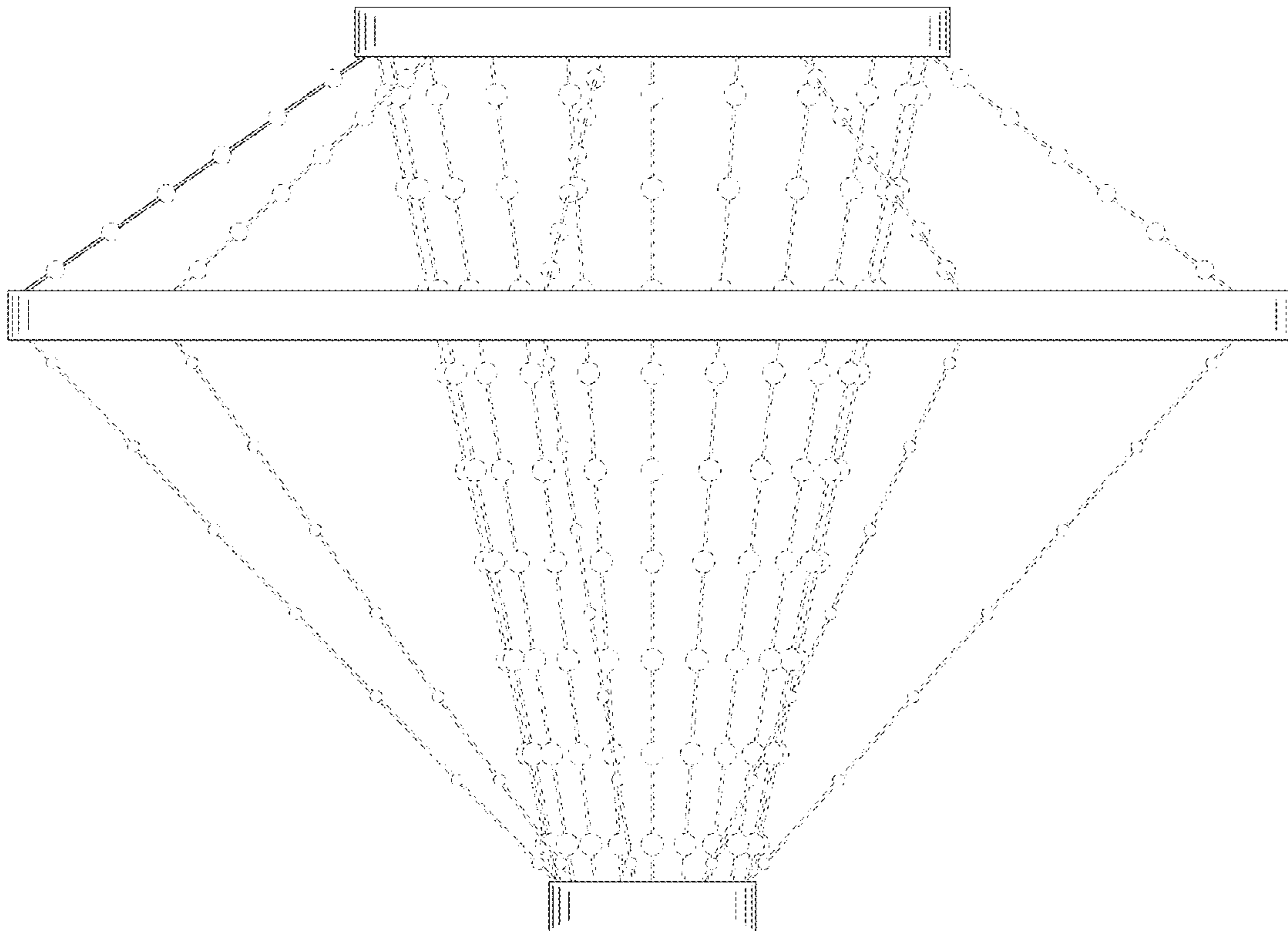


**FIG. 3**

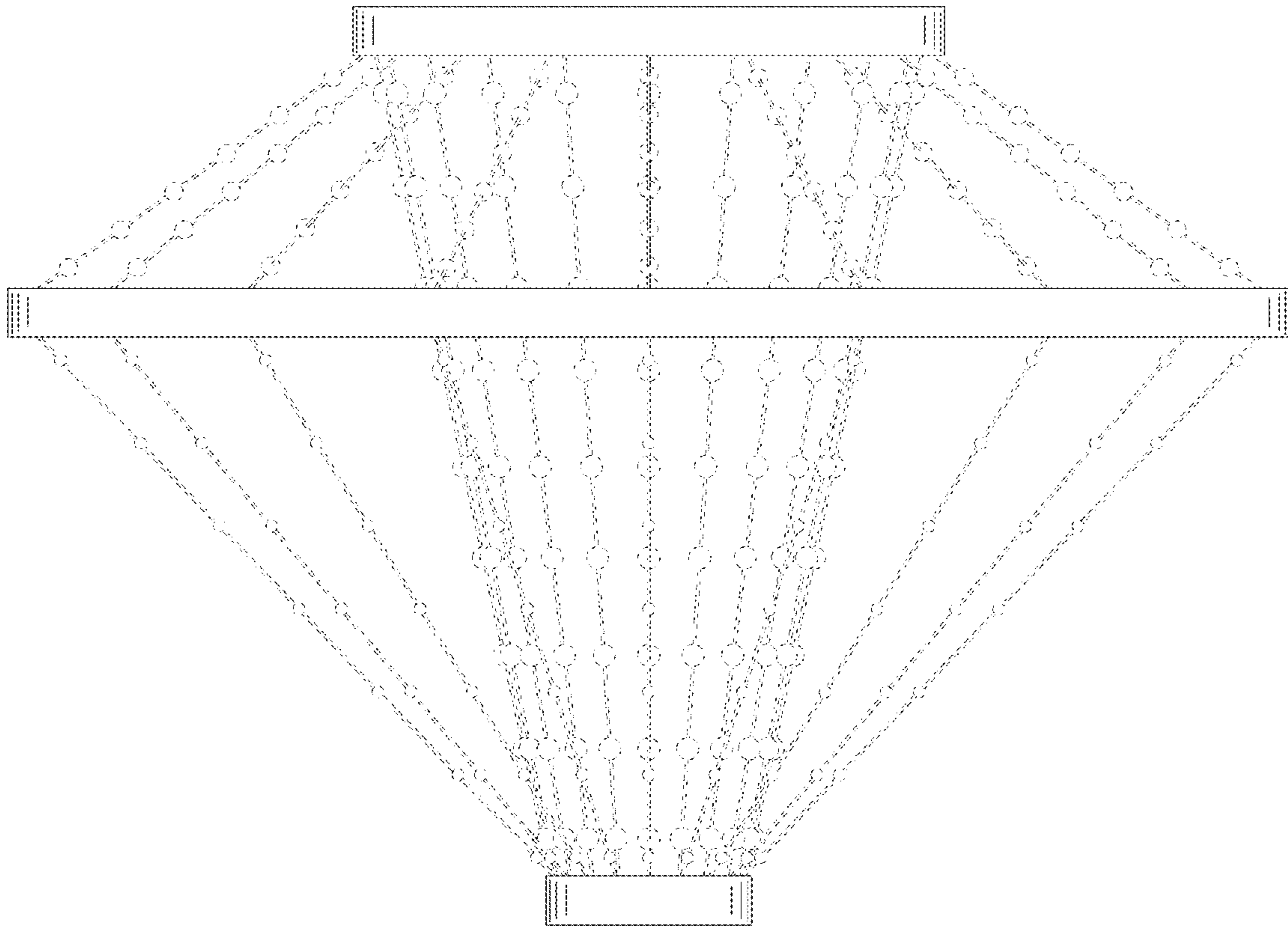




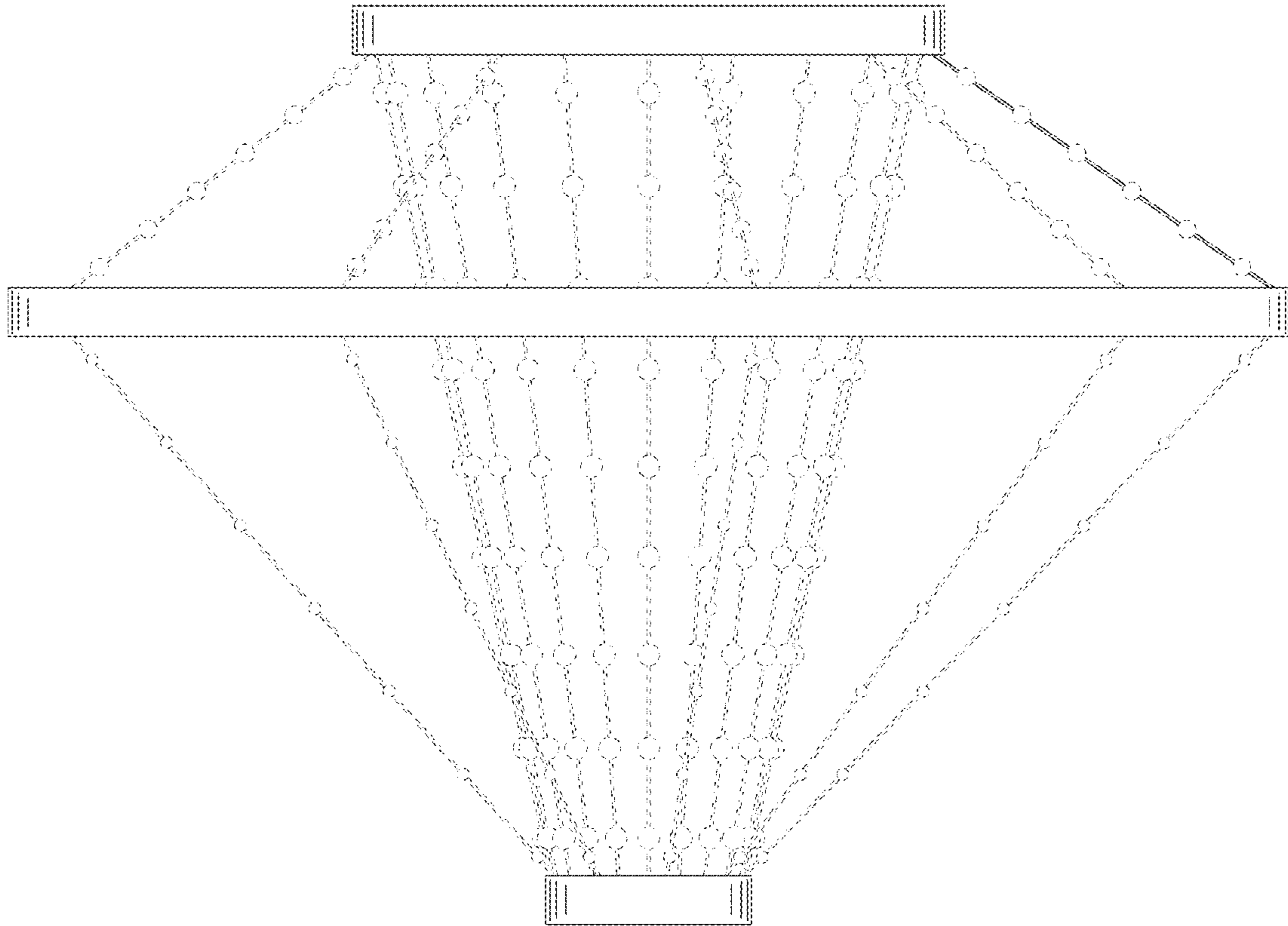
**FIG. 4**



**FIG. 5**

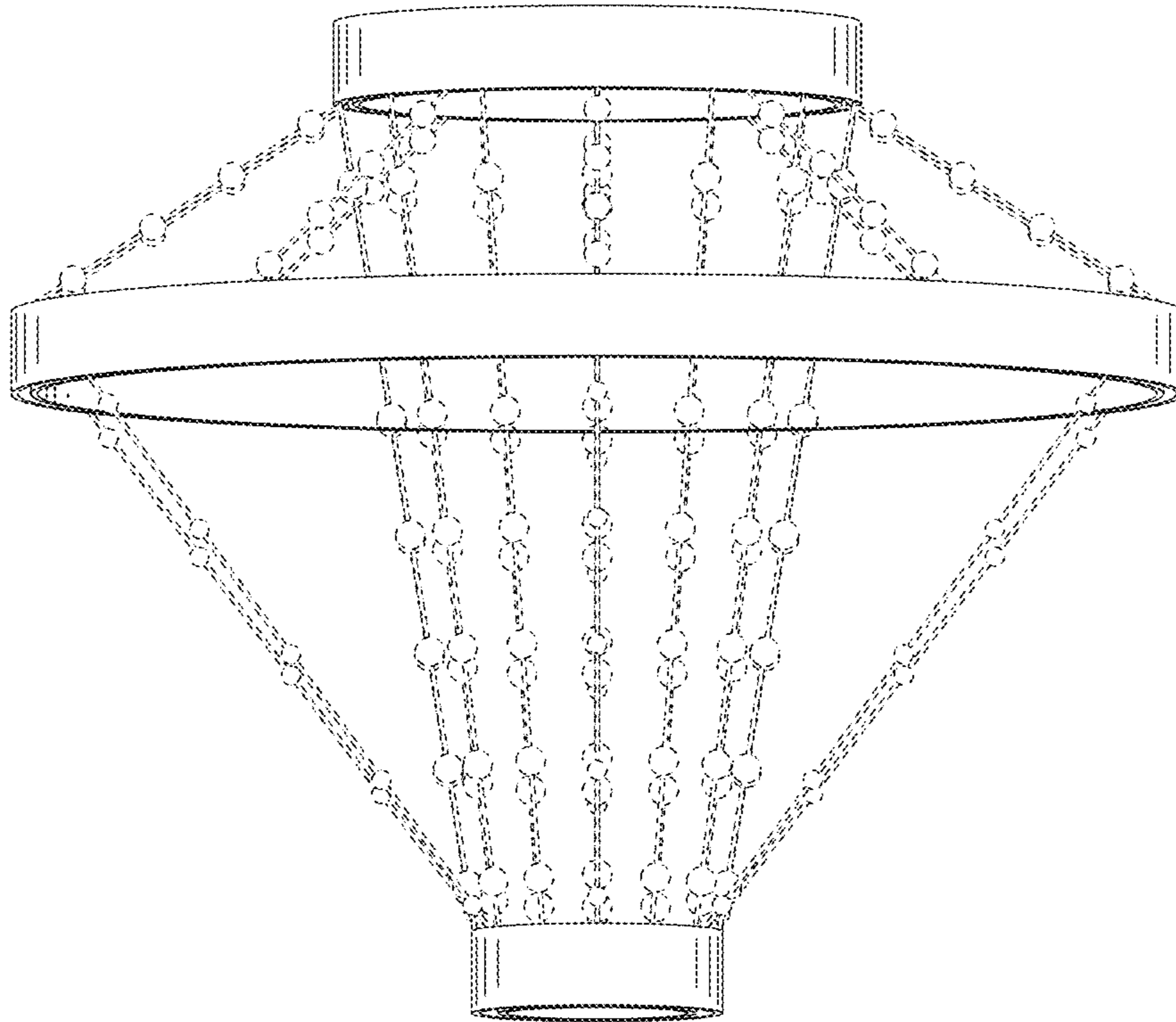


**FIG. 6**



**FIG. 7**





**FIG. 8**