

US00D694946S

(12) **United States Design Patent**  
**Yu**

(10) **Patent No.:** **US D694,946 S**  
(45) **Date of Patent:** **\*\* Dec. 3, 2013**

(54) **OUTDOOR WALL-MOUNTED LED SECURITY LIGHT**

(75) Inventor: **Chung Han Yu**, City of Industry, CA (US)

(73) Assignee: **Chung Han Yu**, City of Industry, CA (US)

(\*\*) Term: **14 Years**

(21) Appl. No.: **29/395,944**

(22) Filed: **Apr. 26, 2012**

(51) **LOC (9) Cl.** ..... **26-03**

(52) **U.S. Cl.**  
USPC ..... **D26/92**

(58) **Field of Classification Search**  
USPC ..... D26/71, 72, 87, 92;  
362/249.01-249.06, 294, 373, 431,  
362/432

See application file for complete search history.

(56) **References Cited**

**U.S. PATENT DOCUMENTS**

D165,326 S *	12/1951	Cross	.....	D26/71
D200,118 S *	1/1965	Van Steenhoven	.....	D26/71
D229,090 S *	11/1973	Anderson, Jr.	.....	D26/85
D254,215 S *	2/1980	Yahraus et al.	.....	D26/89
D302,047 S *	7/1989	Flannery et al.	.....	D26/71
D329,714 S *	9/1992	McIngvale et al.	.....	D26/71
D394,516 S *	5/1998	Leen	.....	D26/71

D400,998 S *	11/1998	Leen	.....	D26/71
D407,843 S *	4/1999	Leen	.....	D26/71
D418,620 S *	1/2000	Grossman	.....	D26/71
D424,228 S *	5/2000	Grossman	.....	D26/71
D424,229 S *	5/2000	Leen	.....	D26/71
6,155,701 A *	12/2000	Leen	.....	362/432
D516,740 S *	3/2006	Sales	.....	D26/123
7,152,992 B1 *	12/2006	Monroe et al.	.....	362/147
D556,357 S *	11/2007	Butler et al.	.....	D26/71
D614,791 S *	4/2010	Nibaldi	.....	D26/71
D624,686 S *	9/2010	Toney et al.	.....	D26/72
D648,885 S *	11/2011	Toratani	.....	D26/71
D649,694 S *	11/2011	Kong et al.	.....	D26/142
D666,351 S *	8/2012	Tsao	.....	D26/92

\* cited by examiner

*Primary Examiner* — Clare E Heflin

(57) **CLAIM**

The ornamental design for an outdoor wall-mounted LED security light, as shown and described.

**DESCRIPTION**

FIG. 1 is a front perspective view of the outdoor wall-mounted security light.

FIG. 2 is a side view thereof.

FIG. 3 is a front view thereof.

FIG. 4 is a rear view thereof.

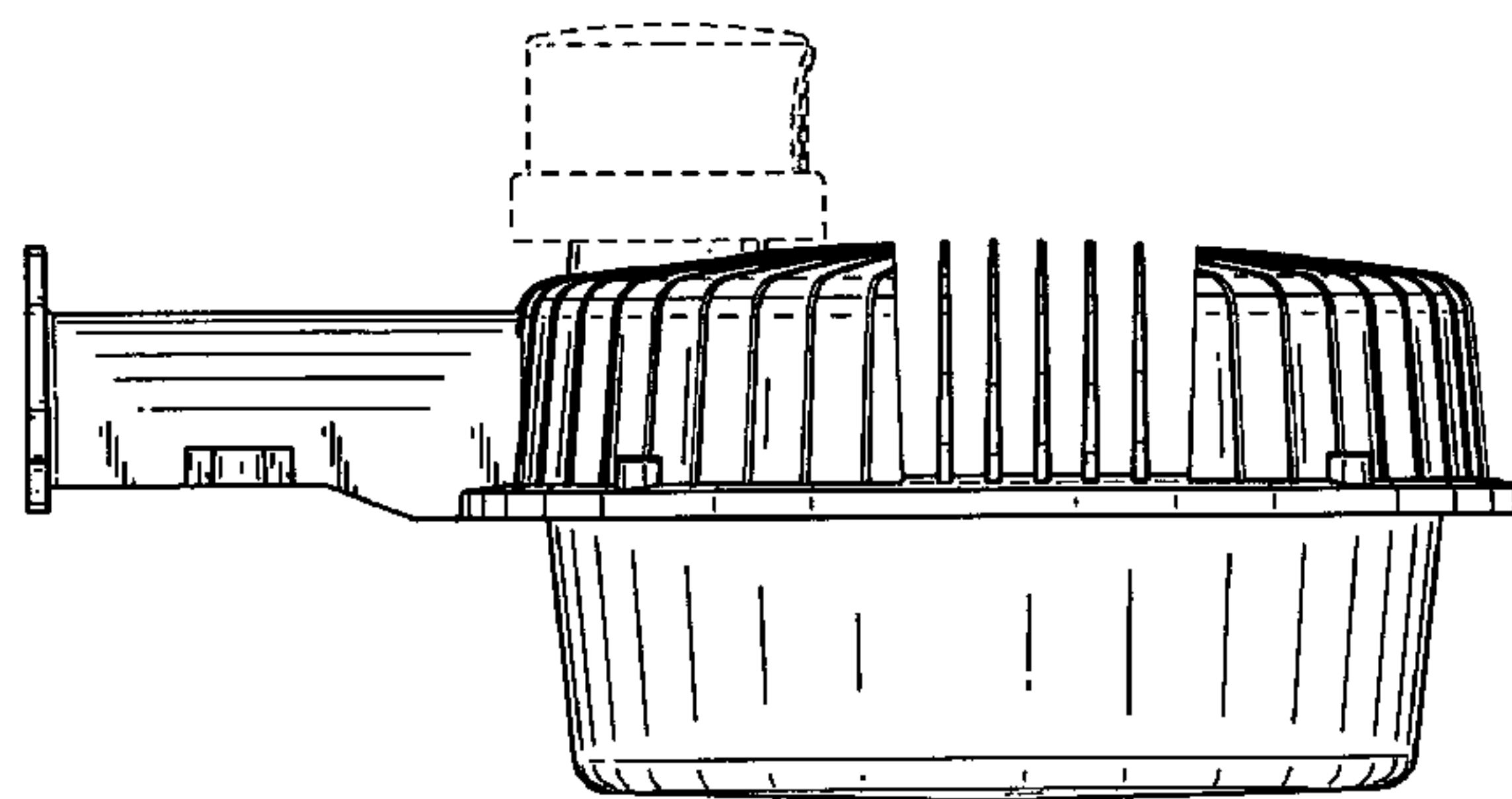
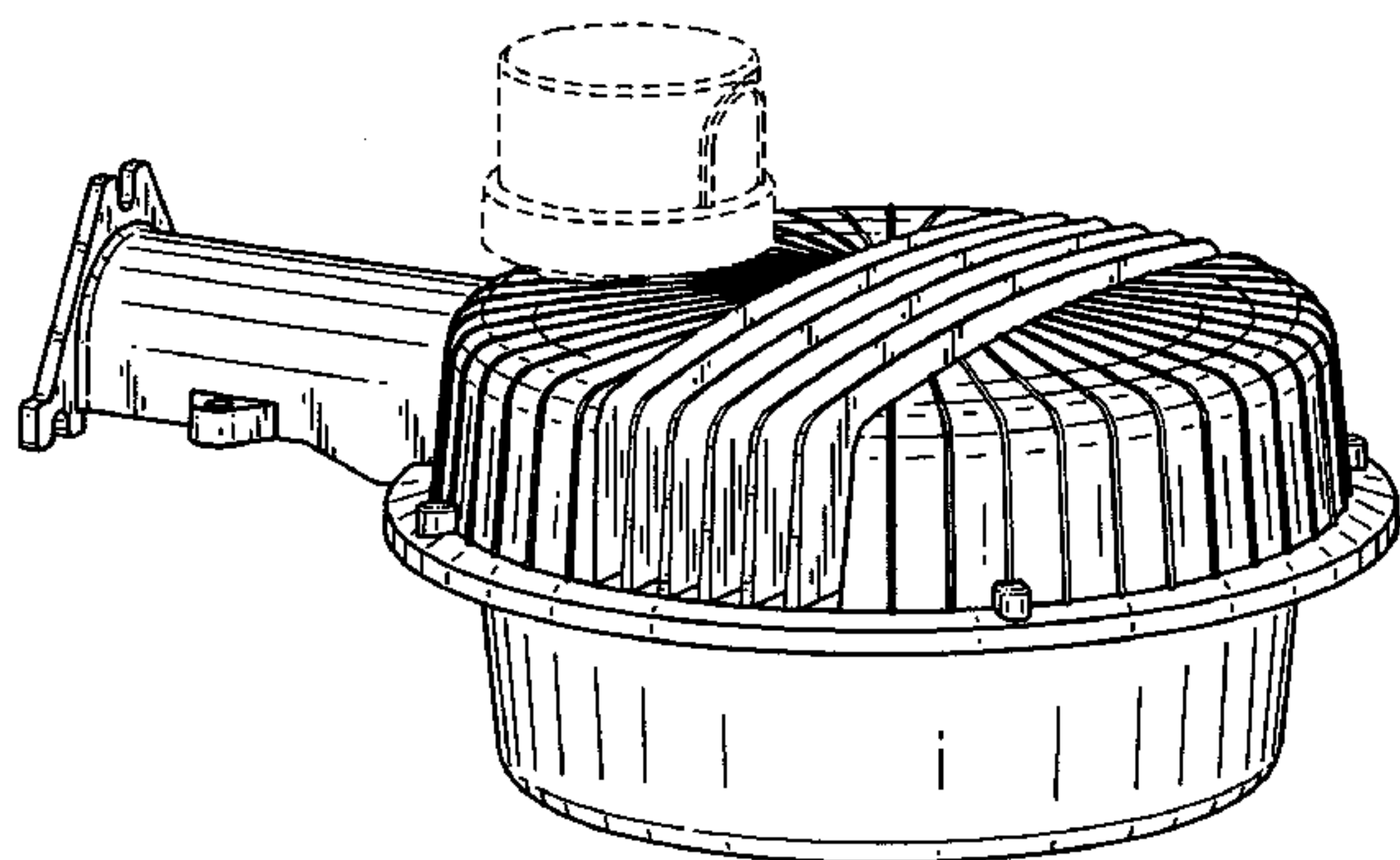
FIG. 5 is a top view thereof.

FIG. 6 is a view from the other side thereof; and,

FIG. 7 is a bottom view thereof.

The broken lines shown on the drawings depict portions of the light that form no part of the claimed design.

**1 Claim, 4 Drawing Sheets**



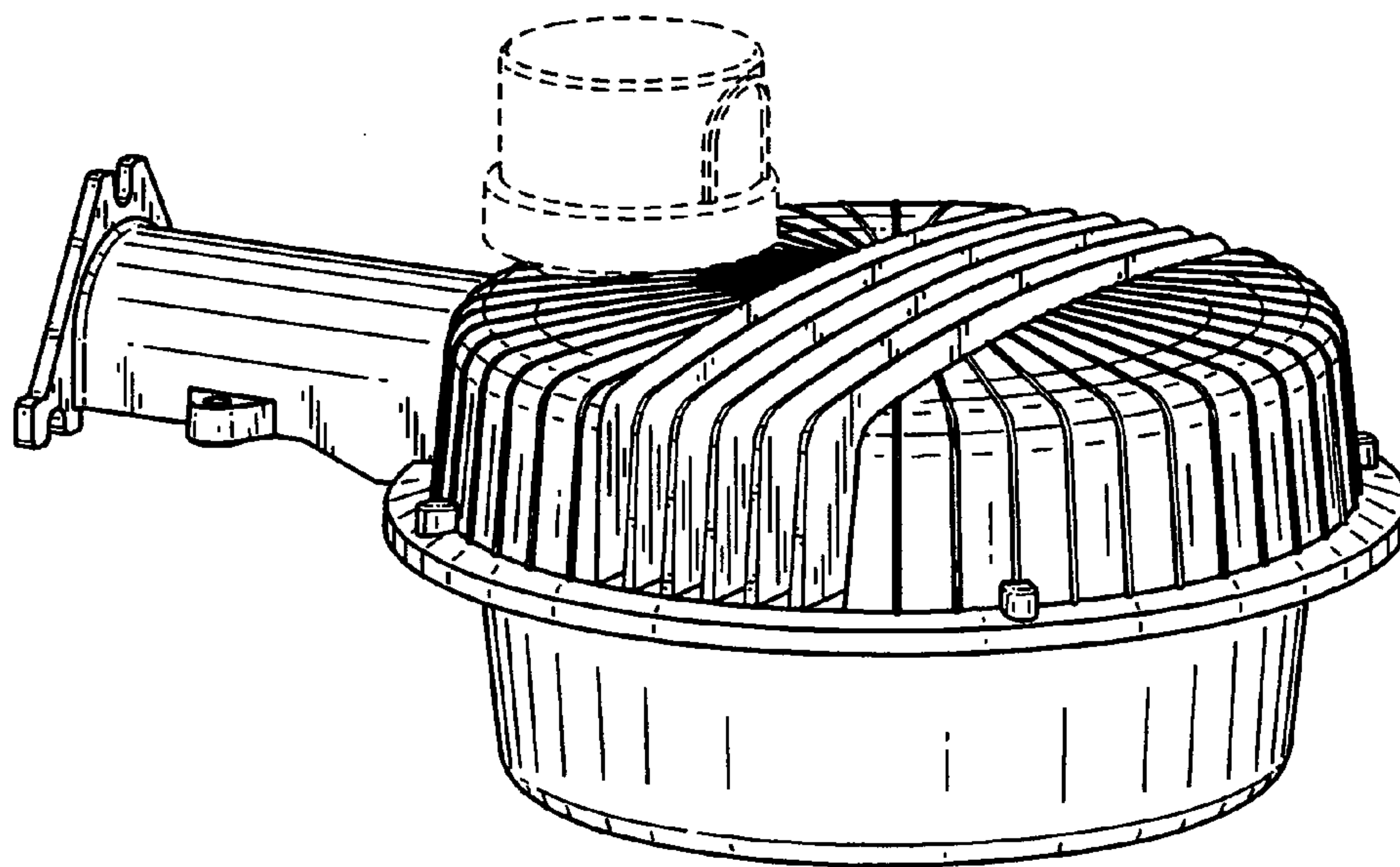


FIG. 1

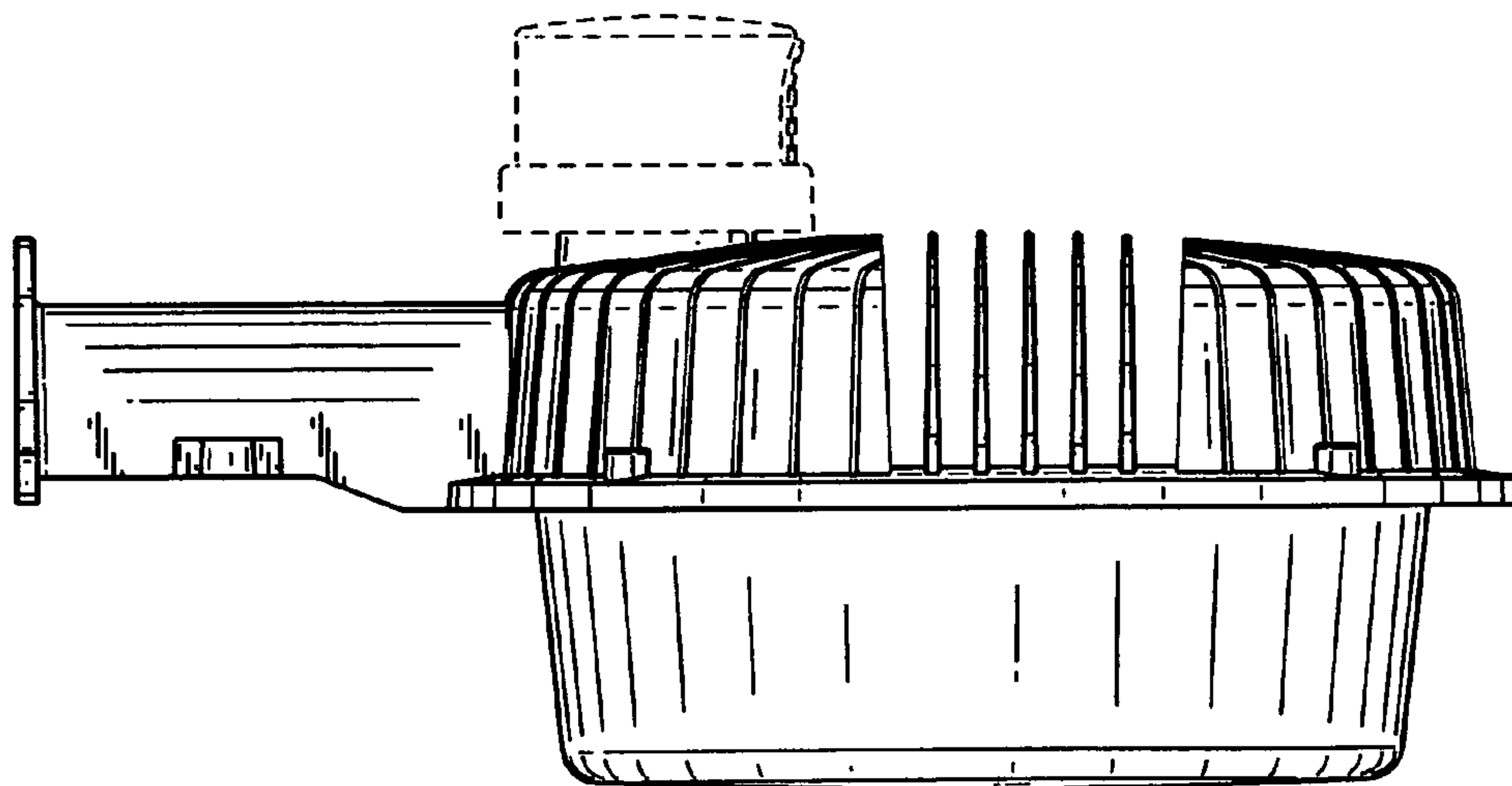


FIG. 2

FIG. 3

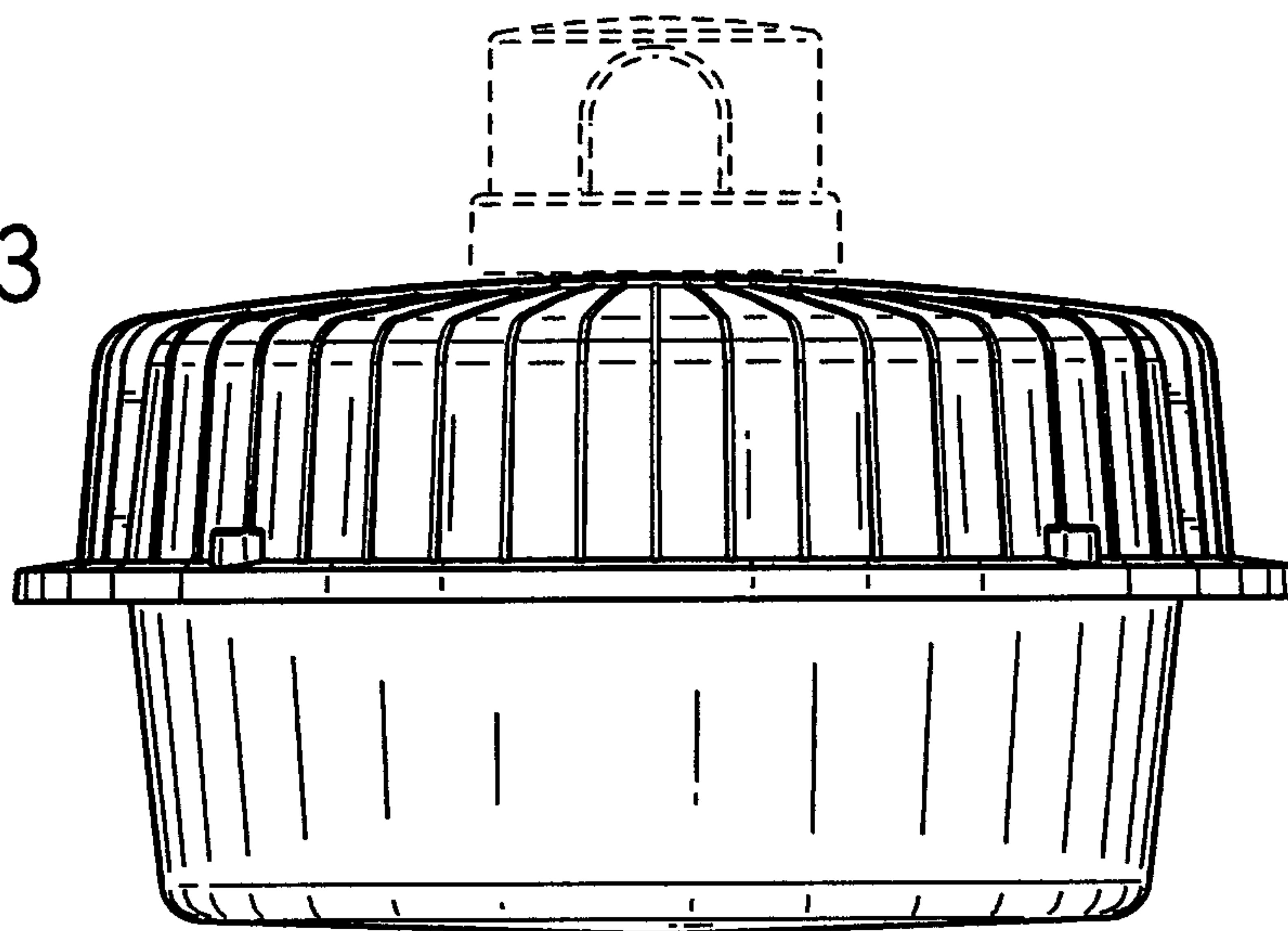
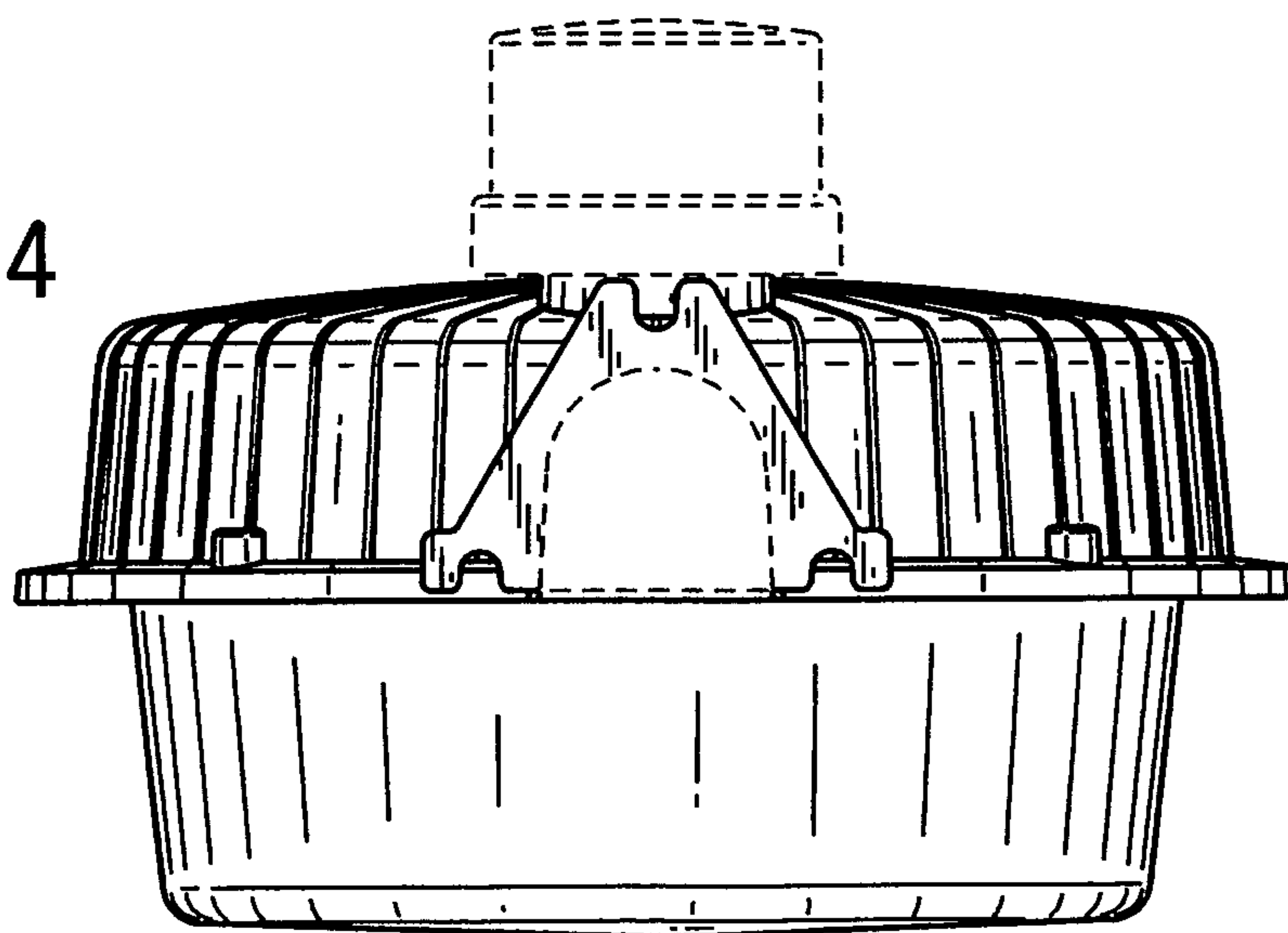


FIG. 4



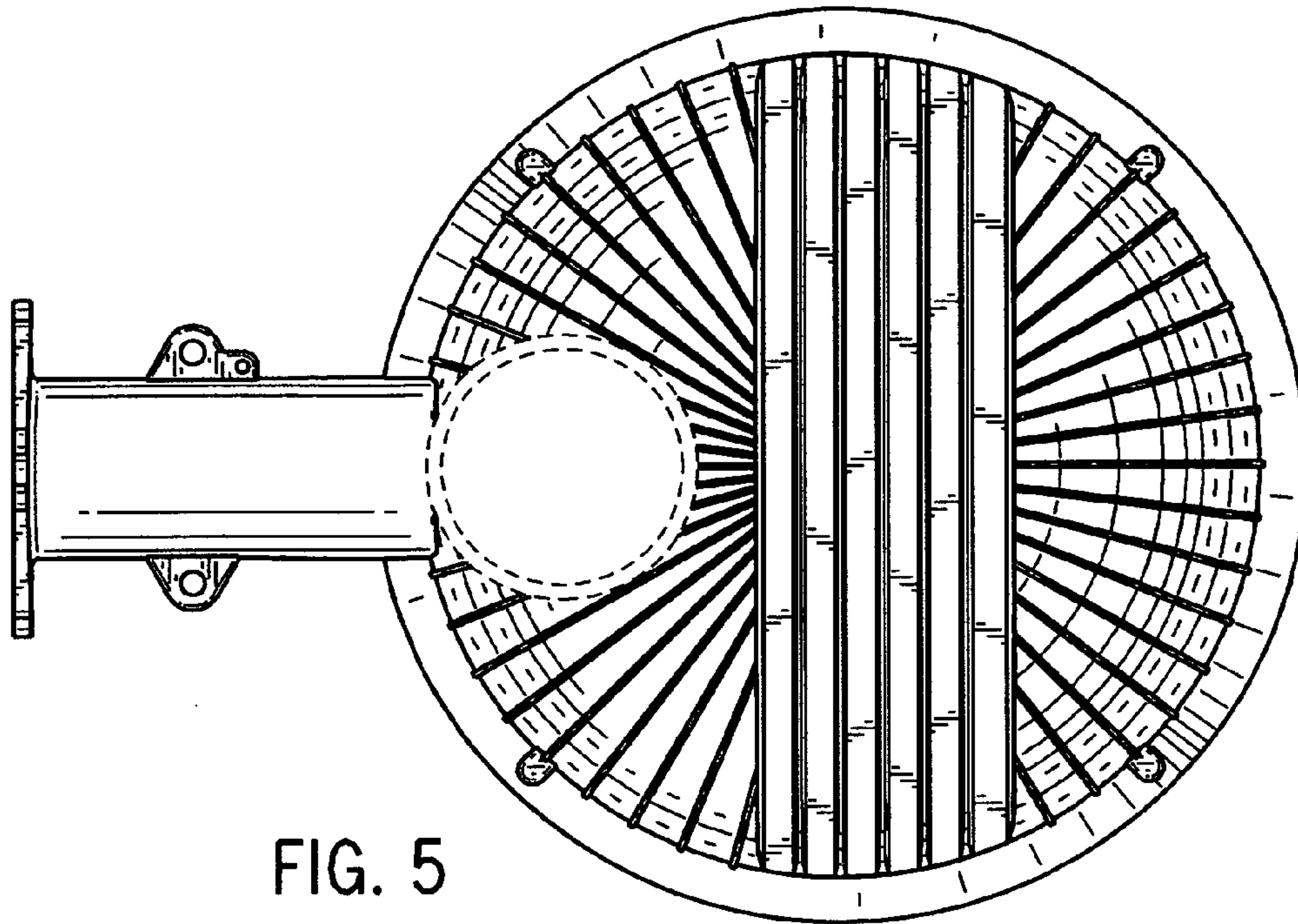


FIG. 5

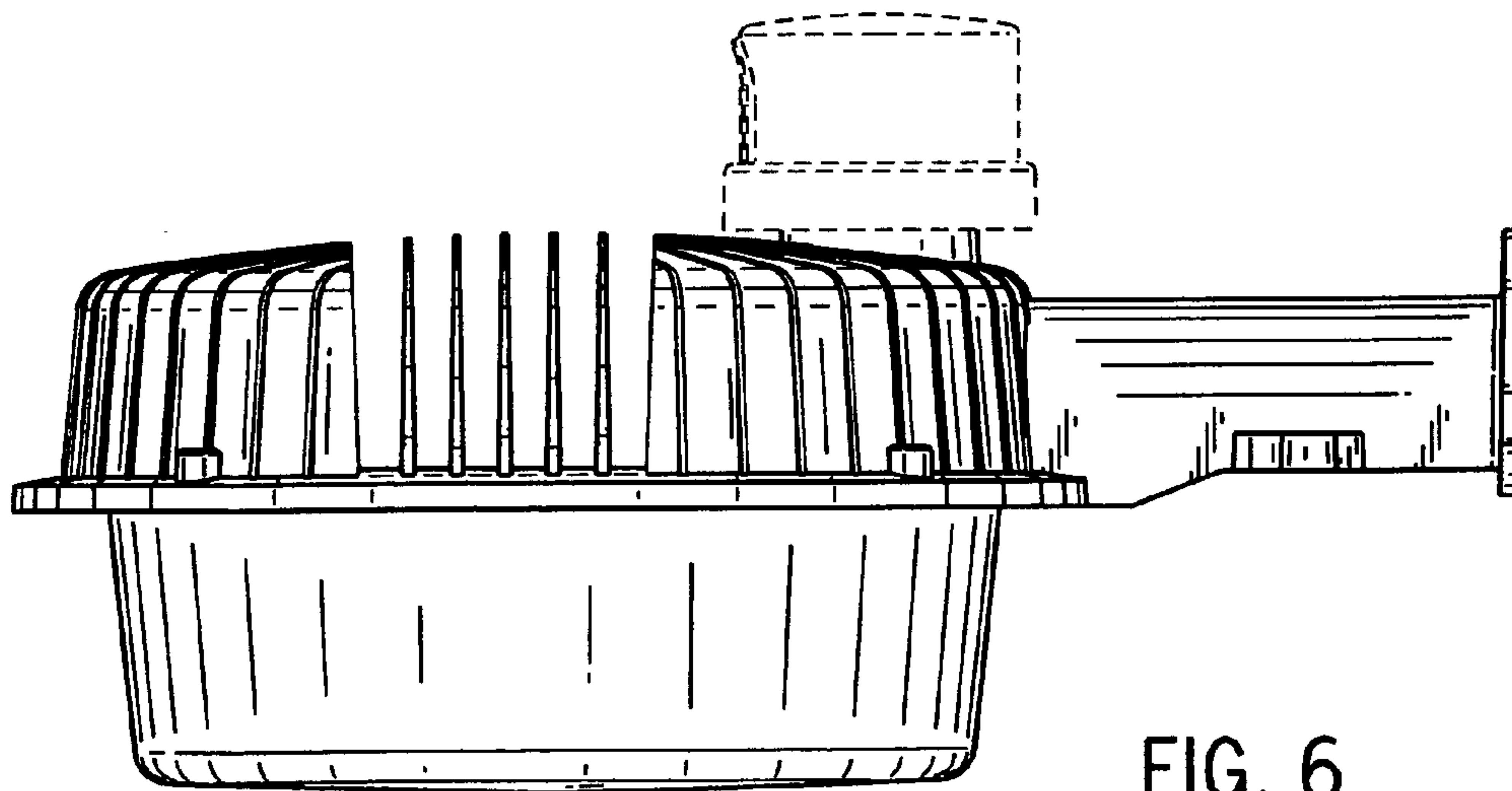


FIG. 6



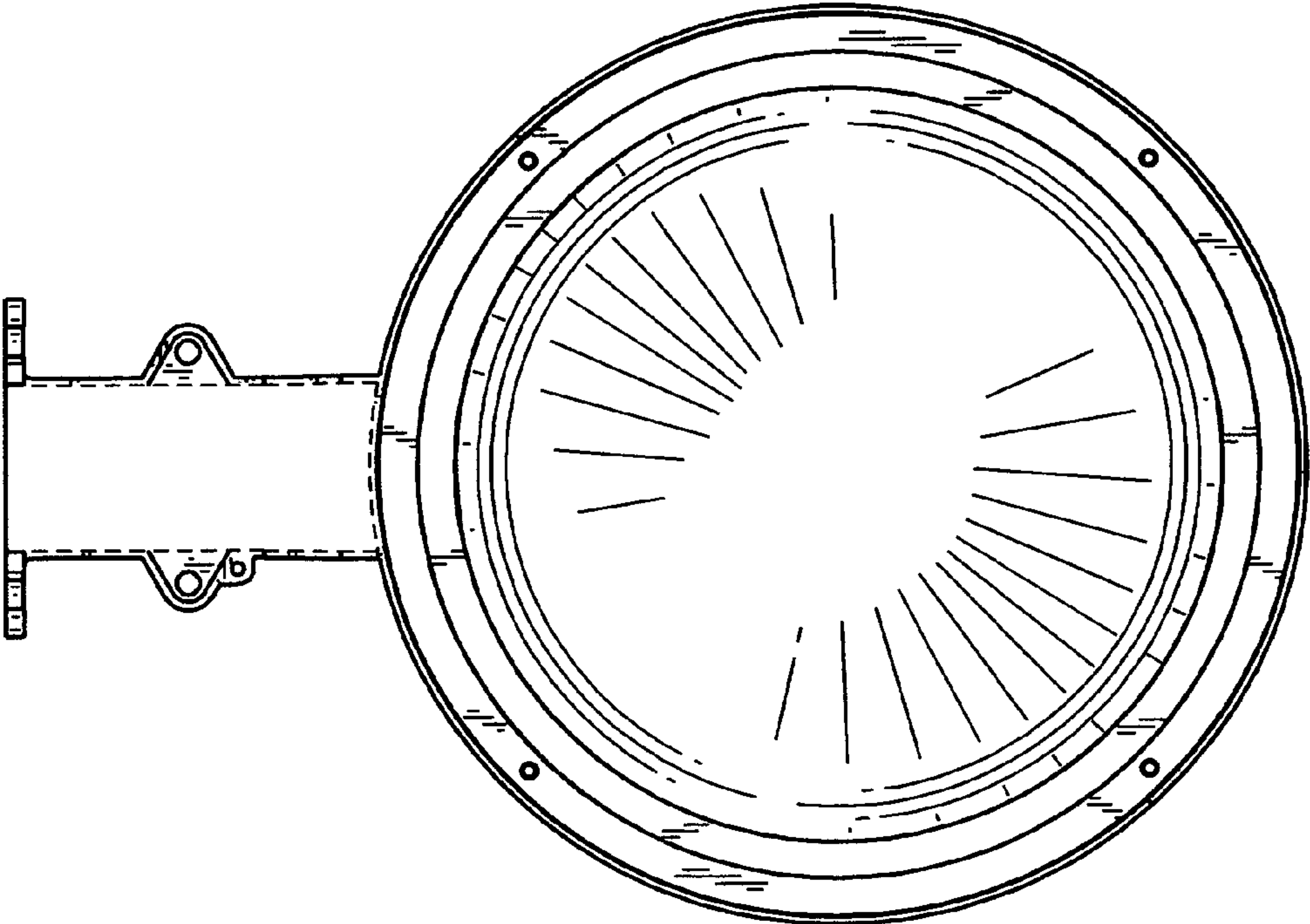


FIG. 7