



US00D694944S

(12) **United States Design Patent**
Rhodes

(10) **Patent No.:** **US D694,944 S**

(45) **Date of Patent:** **** Dec. 3, 2013**

(54) **UNDERWATER LIGHT**

(71) Applicant: **Verde Designs, Inc.**, Tempe, AZ (US)

(72) Inventor: **Jim Rhodes**, Chandler, AZ (US)

(73) Assignee: **Verde Designs, Inc.**, Tempe, AZ (US)

(**) Term: **14 Years**

(21) Appl. No.: **29/458,756**

(22) Filed: **Jun. 21, 2013**

(51) **LOC (9) Cl.** **26-03**

(52) **U.S. Cl.**
USPC **D26/89**; D26/80

(58) **Field of Classification Search**
USPC D26/28, 72, 74, 80, 84, 88, 89, 118,
D26/128; 362/147, 488-493, 363, 453-456,
362/605, 608, 632, 101, 477
See application file for complete search history.

(56) **References Cited**

U.S. PATENT DOCUMENTS

2,619,582	A	*	11/1952	Morse	362/477
D313,864	S	*	1/1991	Macaluso	D26/29
D492,047	S	*	6/2004	Dohogne et al.	D26/28
D530,437	S	*	10/2006	Neufeglise et al.	D26/28

D540,967	S	*	4/2007	Rogers	D26/28
D559,429	S	*	1/2008	Kuo	D26/89
D576,333	S	*	9/2008	Benensohn	D26/72
7,918,596	B2	*	4/2011	Frank et al.	362/542
D640,822	S	*	6/2011	Wildner	D26/89
D643,559	S	*	8/2011	Seymour	D26/28
8,167,468	B1	*	5/2012	Olsson et al.	362/477
D674,524	S	*	1/2013	Davies	D26/28
D677,824	S	*	3/2013	Maxik et al.	D26/89

* cited by examiner

Primary Examiner — Clare E Heflin

(74) *Attorney, Agent, or Firm* — Marcus C. Dawes; Daniel L. Dawes

(57) **CLAIM**

The ornamental design for an underwater light, as shown and described.

DESCRIPTION

FIG. 1 is a perspective view of an underwater light, showing my new design.

FIG. 2 is a top view of the underwater light of FIG. 1.

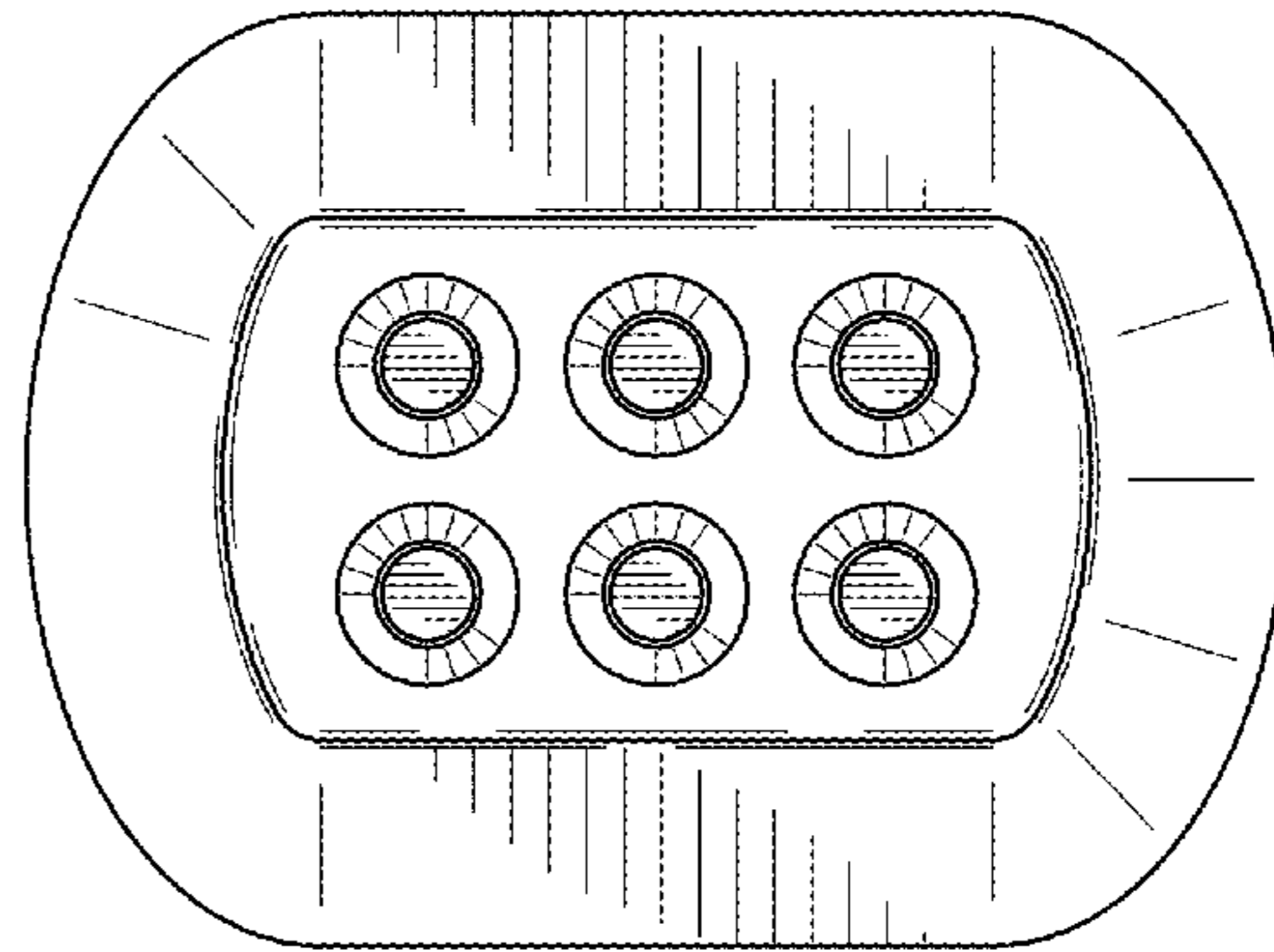
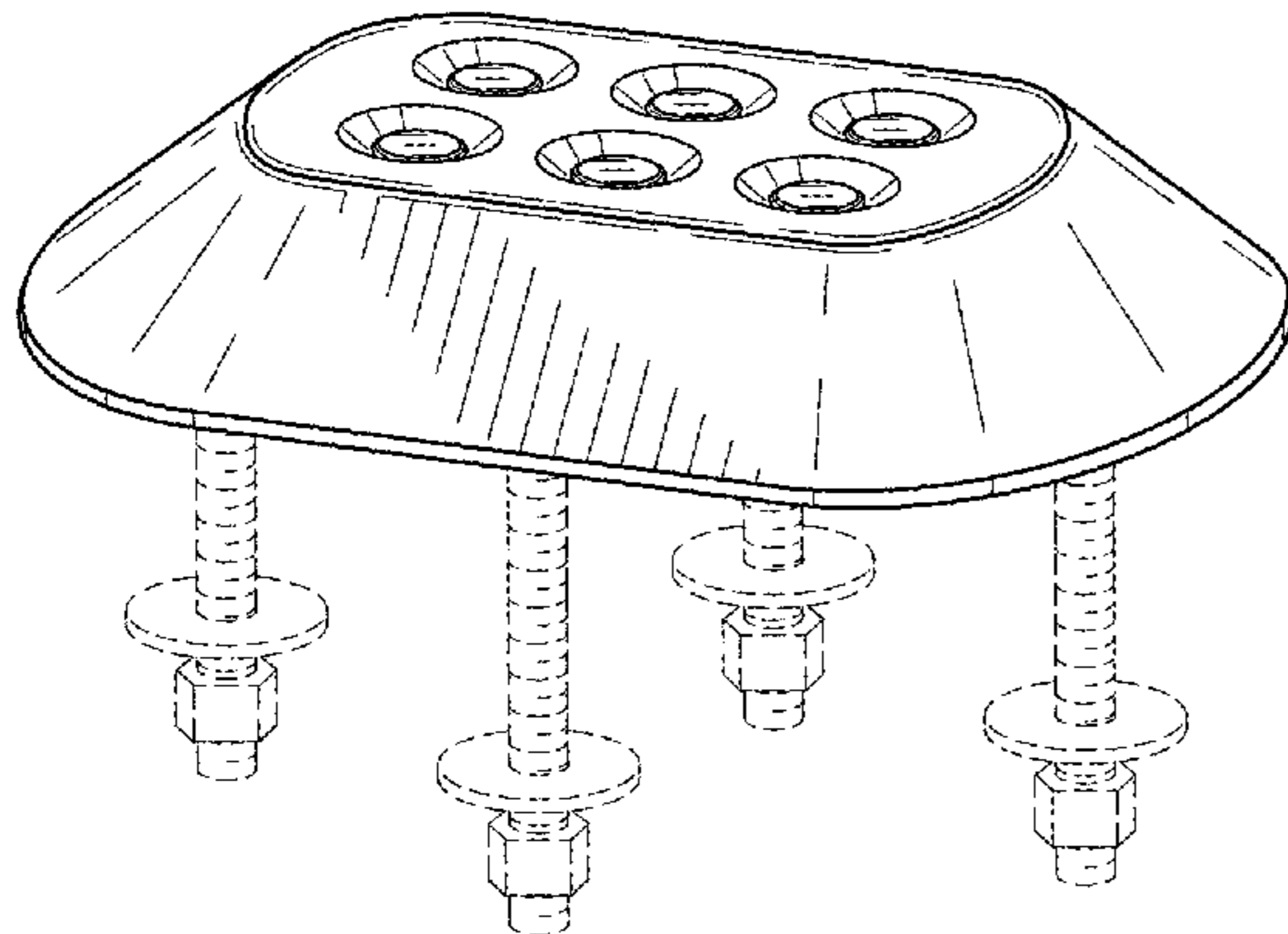
FIG. 3 is a side view of the underwater light of FIG. 1.

FIG. 4 is a plan elevational view of the front side of the underwater light of FIG. 1; and,

FIG. 5 is a bottom view of the underwater light of FIG. 1.

The broken lines shown on the drawings depict environment only and form no part of the claimed design.

1 Claim, 2 Drawing Sheets



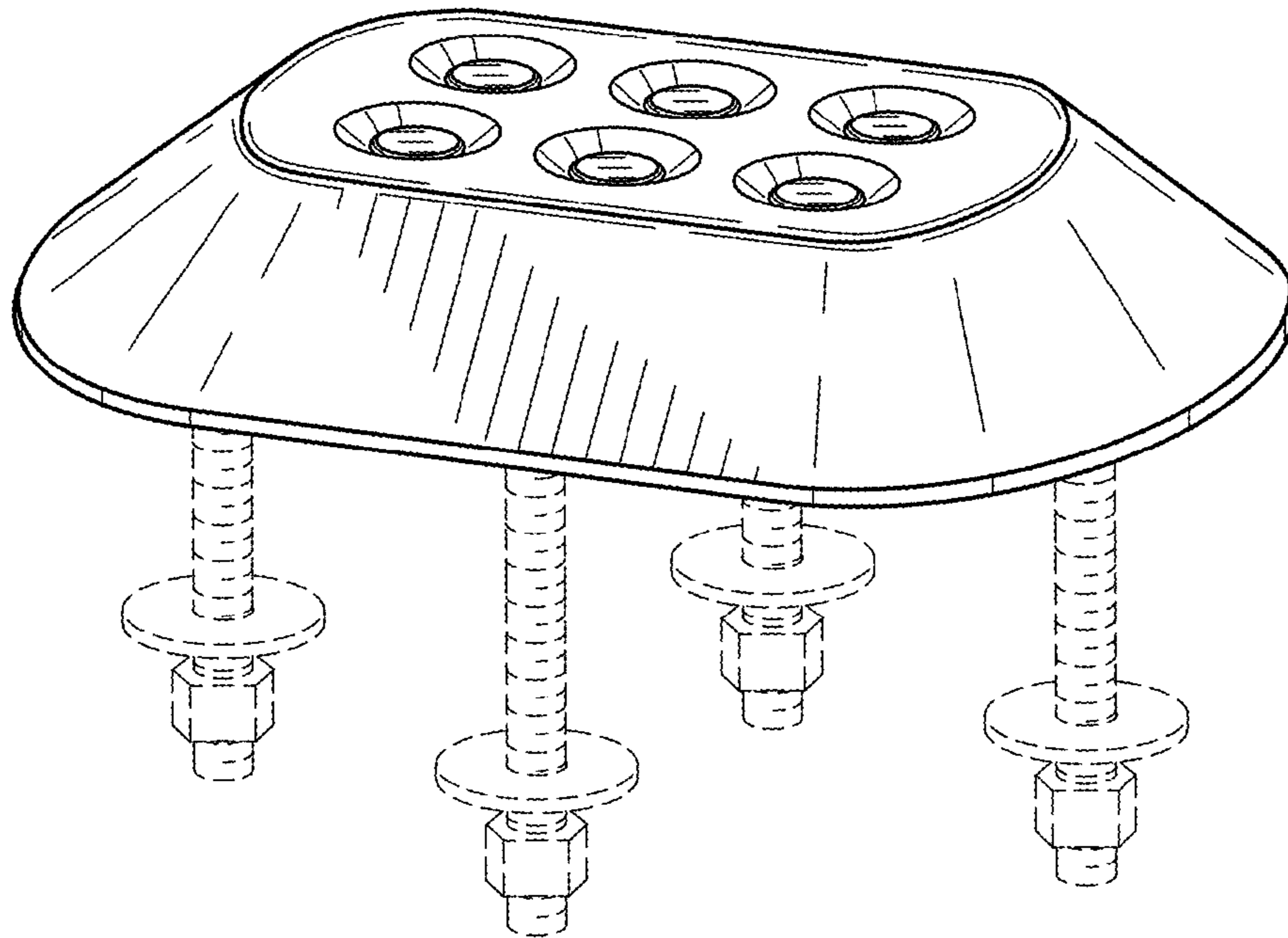
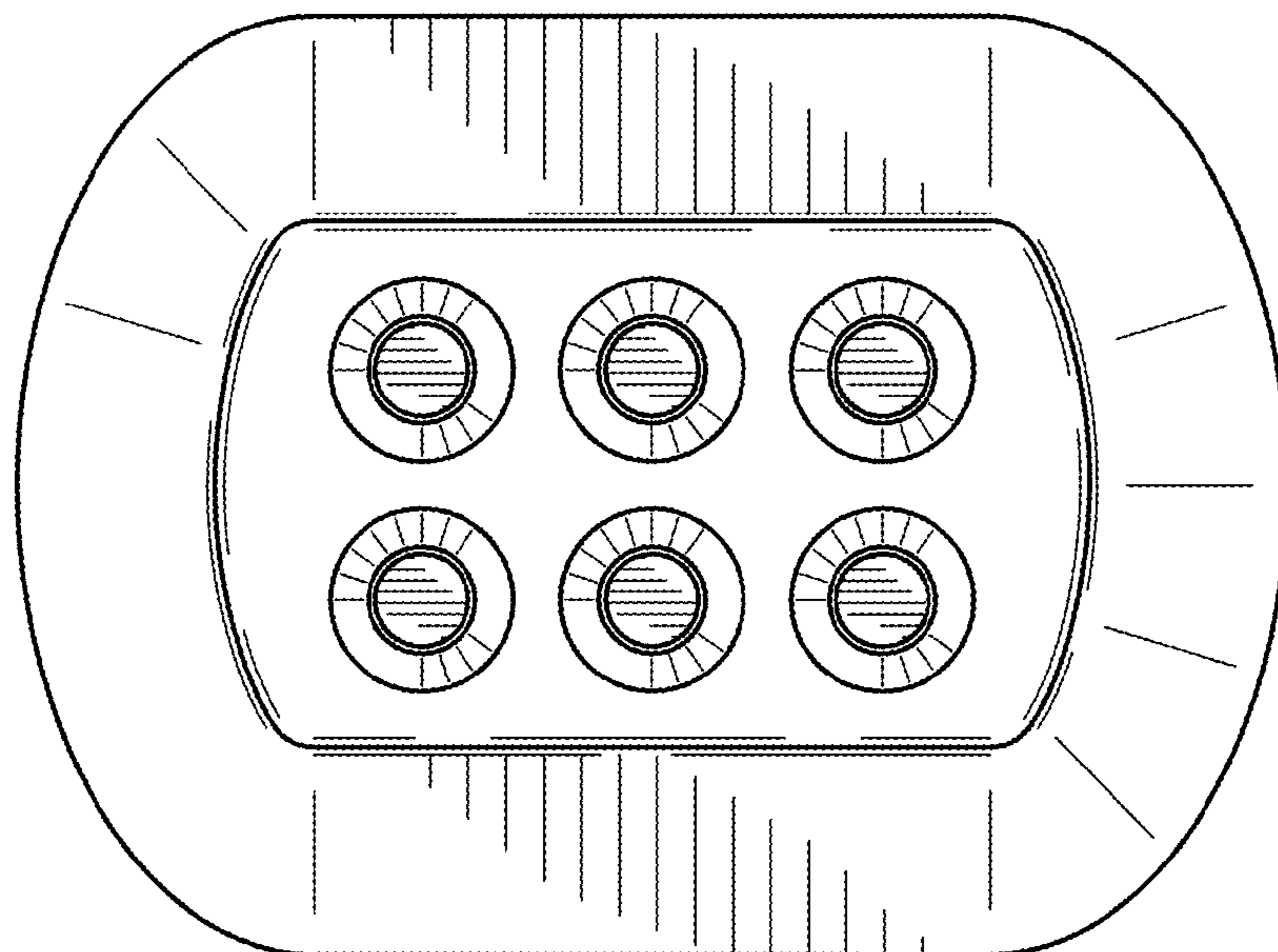


FIG. 1

FIG. 2



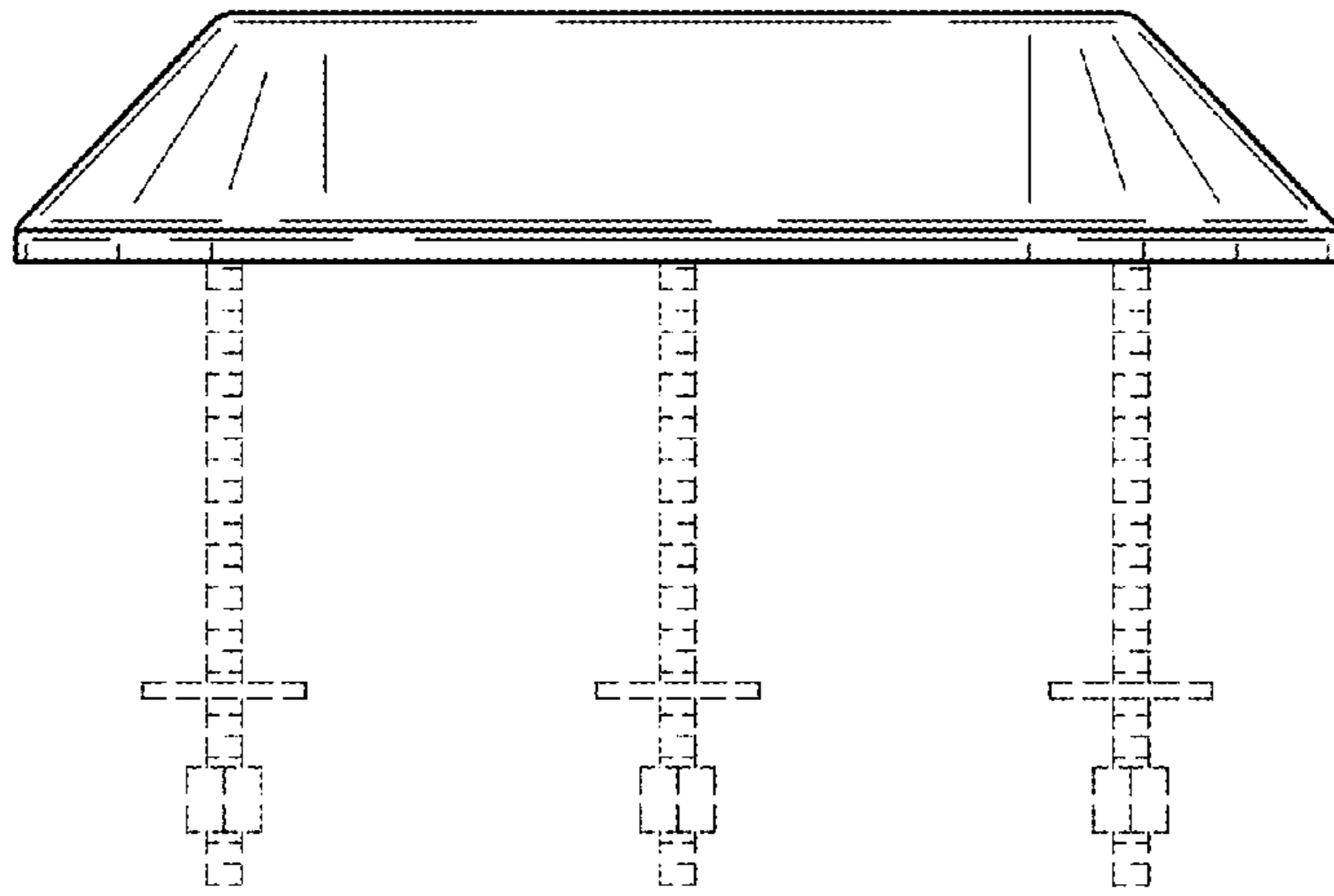


FIG. 3

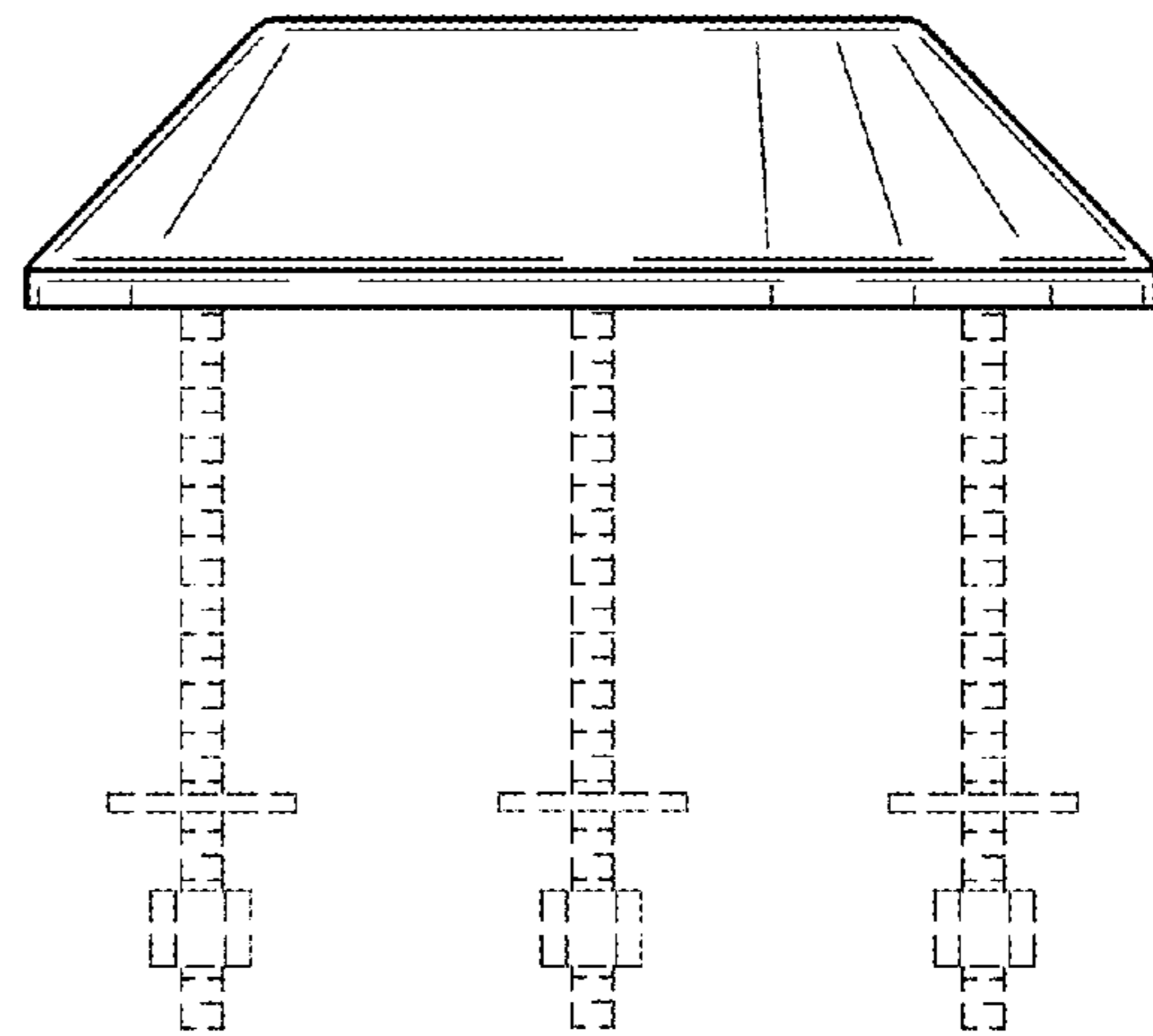


FIG. 4

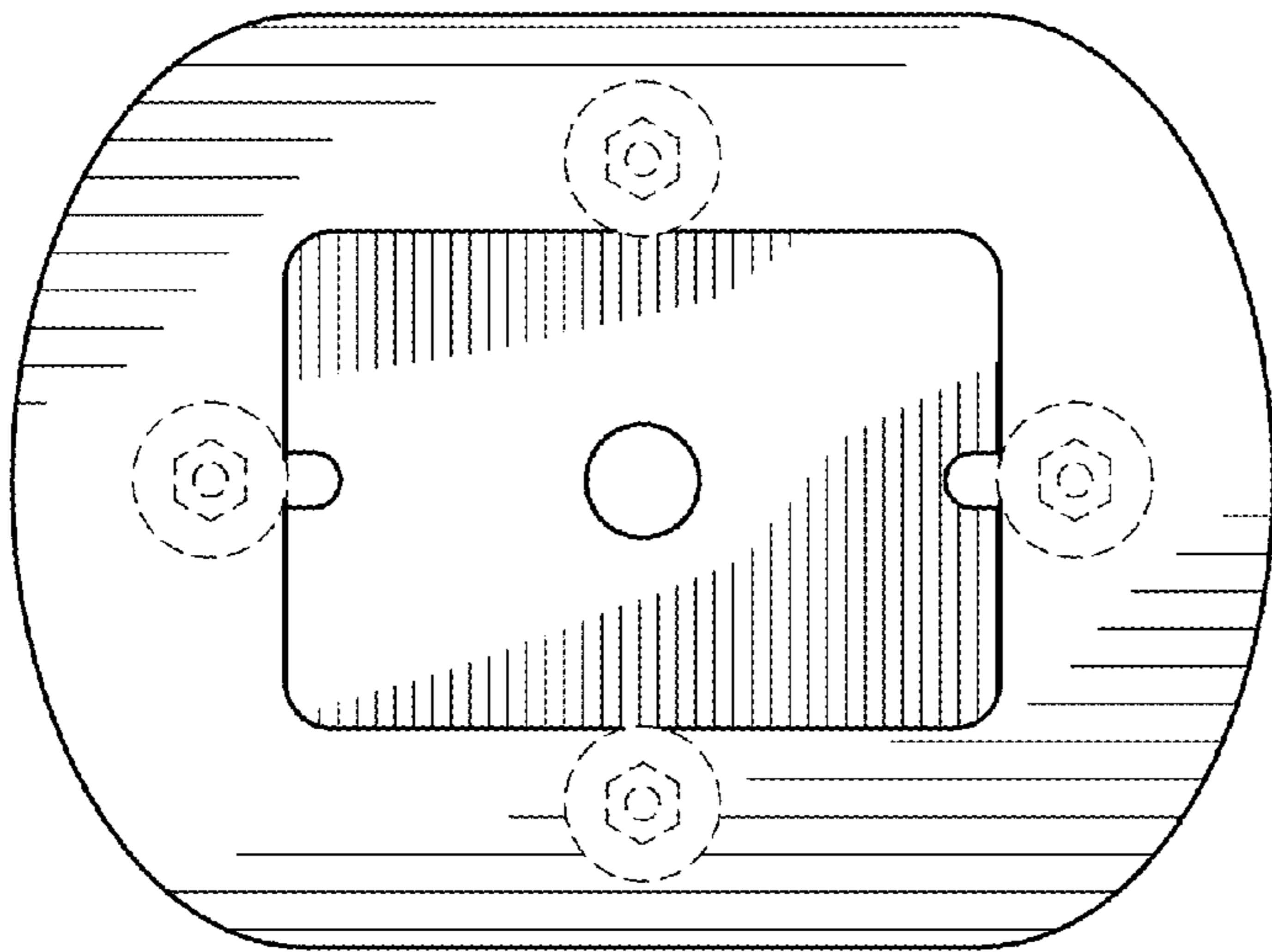


FIG. 5