



US00D694942S

(12) **United States Design Patent**
Lindsley et al.

(10) **Patent No.:** **US D694,942 S**
(45) **Date of Patent:** **** Dec. 3, 2013**

(54) **PENDANT LUMINAIRE**

(76) Inventors: **Alan Lindsley**, Orinda, CA (US); **Karen Jess-Lindsley**, Orinda, CA (US)

(**) Term: **14 Years**

(21) Appl. No.: **29/418,597**

(22) Filed: **Apr. 18, 2012**

(51) **LOC (9) Cl.** **26-03**

(52) **U.S. Cl.**
USPC **D26/88**

(58) **Field of Classification Search**
USPC D26/61, 63, 72, 80, 84–92, 107, 118;
362/147, 373, 404–408, 431, 432
See application file for complete search history.

(56) **References Cited**

U.S. PATENT DOCUMENTS

D78,956 S *	7/1929	Zweig	D26/86
D89,305 S *	2/1933	Hale	D26/88
D95,974 S *	6/1935	McCann	D26/86
D97,583 S *	11/1935	Naftalin	D26/86
7,097,332 B2 *	8/2006	Vamberi	362/373
D563,590 S *	3/2008	Hetfield et al.	D26/88
D564,696 S *	3/2008	Hetfield et al.	D26/88
D596,337 S *	7/2009	Sabernig	D26/88

D620,182 S *	7/2010	Sabernig	D26/88
D620,183 S *	7/2010	Sabernig	D26/88
D620,184 S *	7/2010	Sabernig	D26/88
D627,502 S *	11/2010	Zheng et al.	D26/72
7,832,909 B2 *	11/2010	Wang	362/373
D634,052 S *	3/2011	Sabernig	D26/88
8,047,686 B2 *	11/2011	Dahm et al.	362/373
D655,440 S *	3/2012	Sabernig	D26/85
D655,851 S *	3/2012	Sabernig	D26/88
D659,884 S *	5/2012	Sabernig	D26/88
8,262,255 B1 *	9/2012	Rashidi	362/373
8,292,482 B2 *	10/2012	Harbers et al.	362/373

* cited by examiner

Primary Examiner — Clare E Heflin

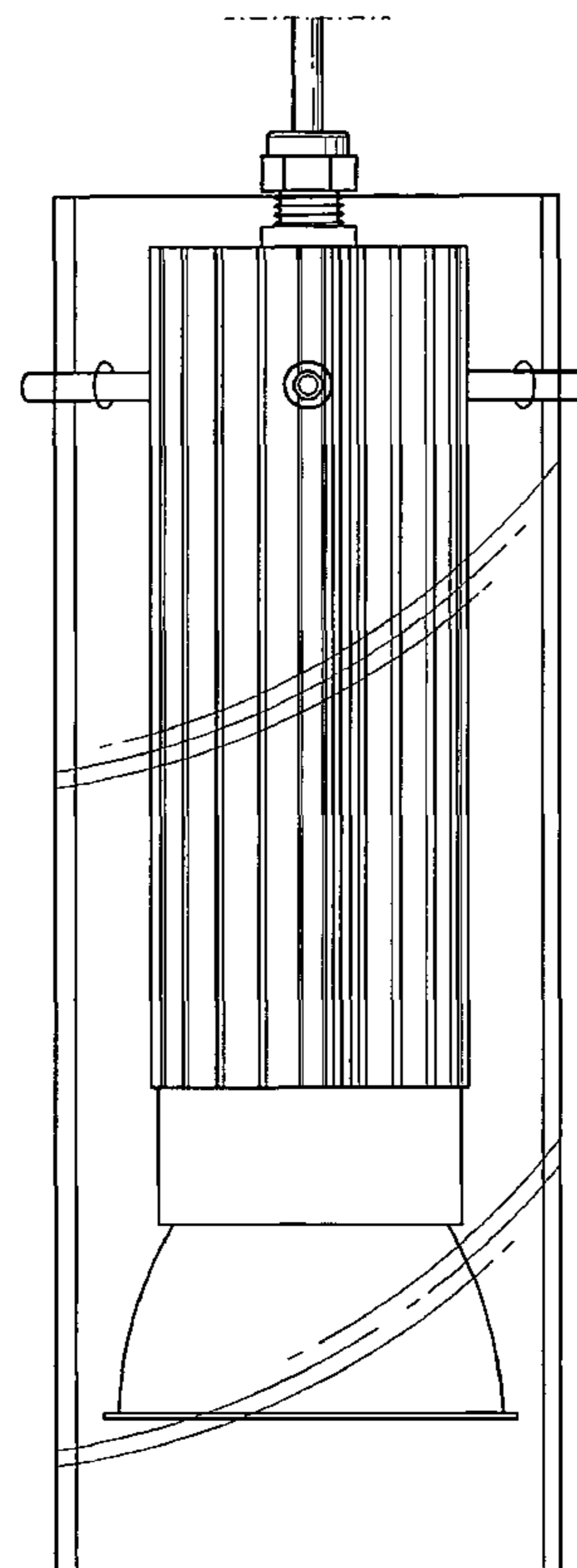
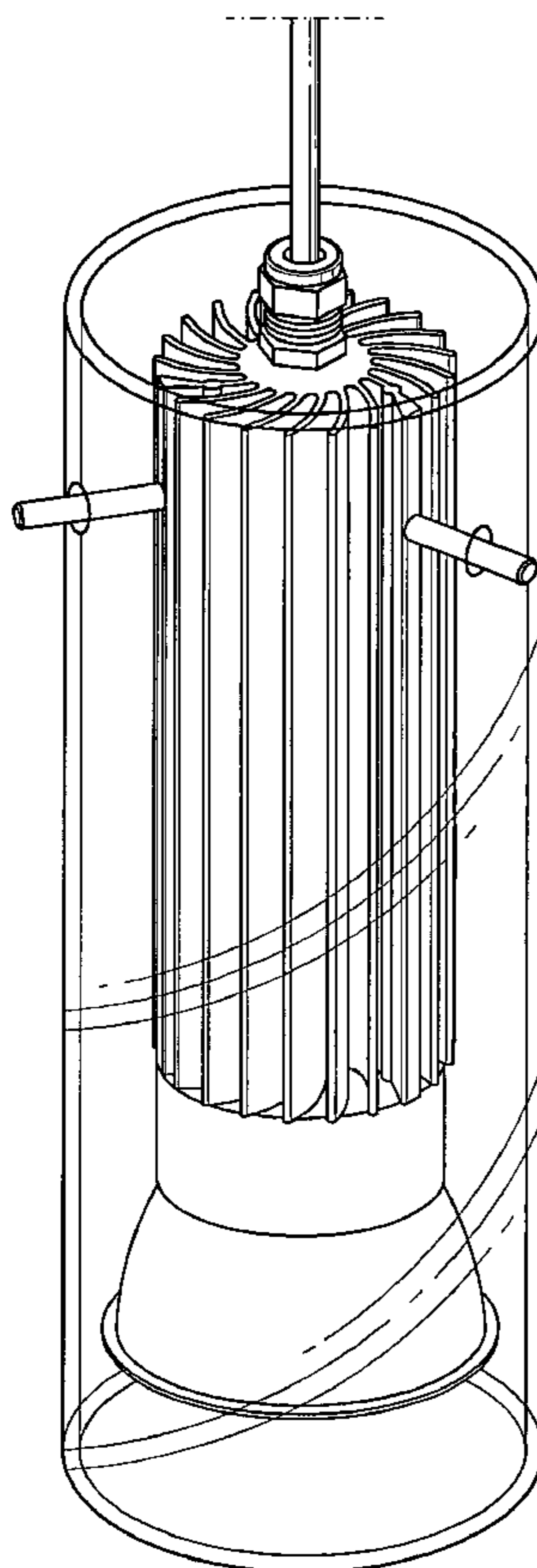
(57) **CLAIM**

The ornamental design for the pendant luminaire, as shown and described.

DESCRIPTION

FIG. 1 is a front perspective view of the pendant luminaire showing the new design; FIG. 2 is a front elevation view thereof; FIG. 3 is a side elevation view thereof; FIG. 4 is a bottom plan view thereof; and, FIG. 5 is a top plan view thereof. The broken line at the top of the support rod defines the bounds of the claimed design and forms no part thereof.

1 Claim, 4 Drawing Sheets



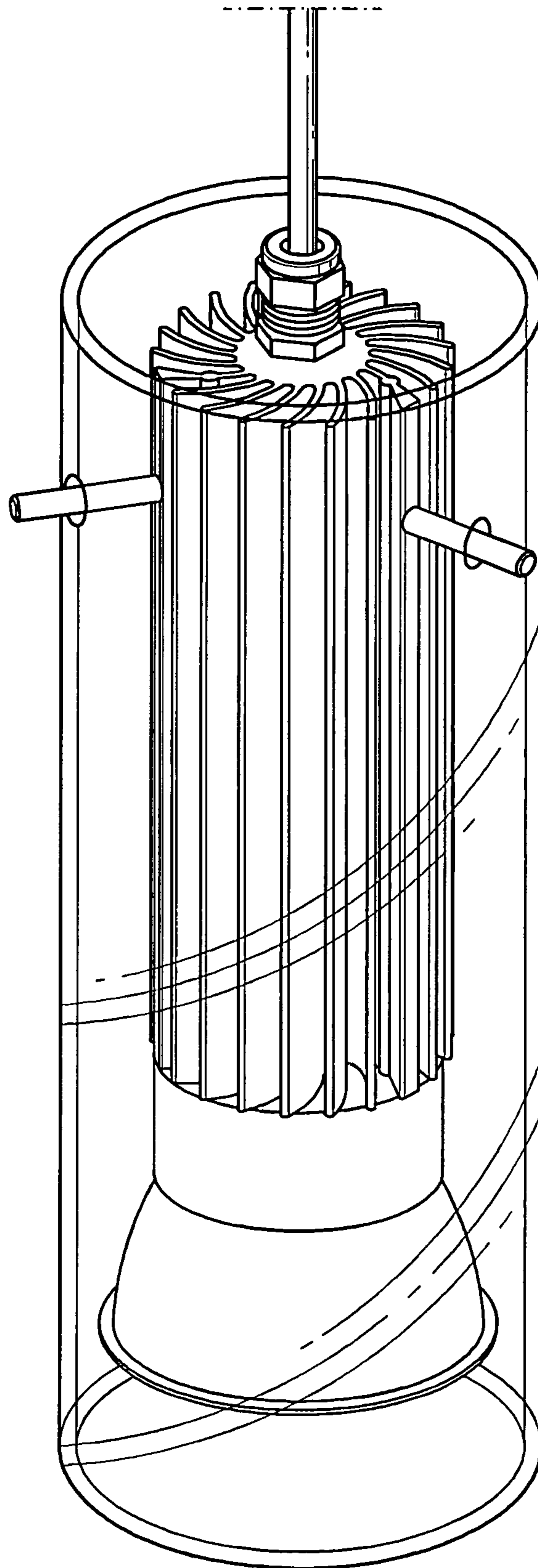


FIG. 1

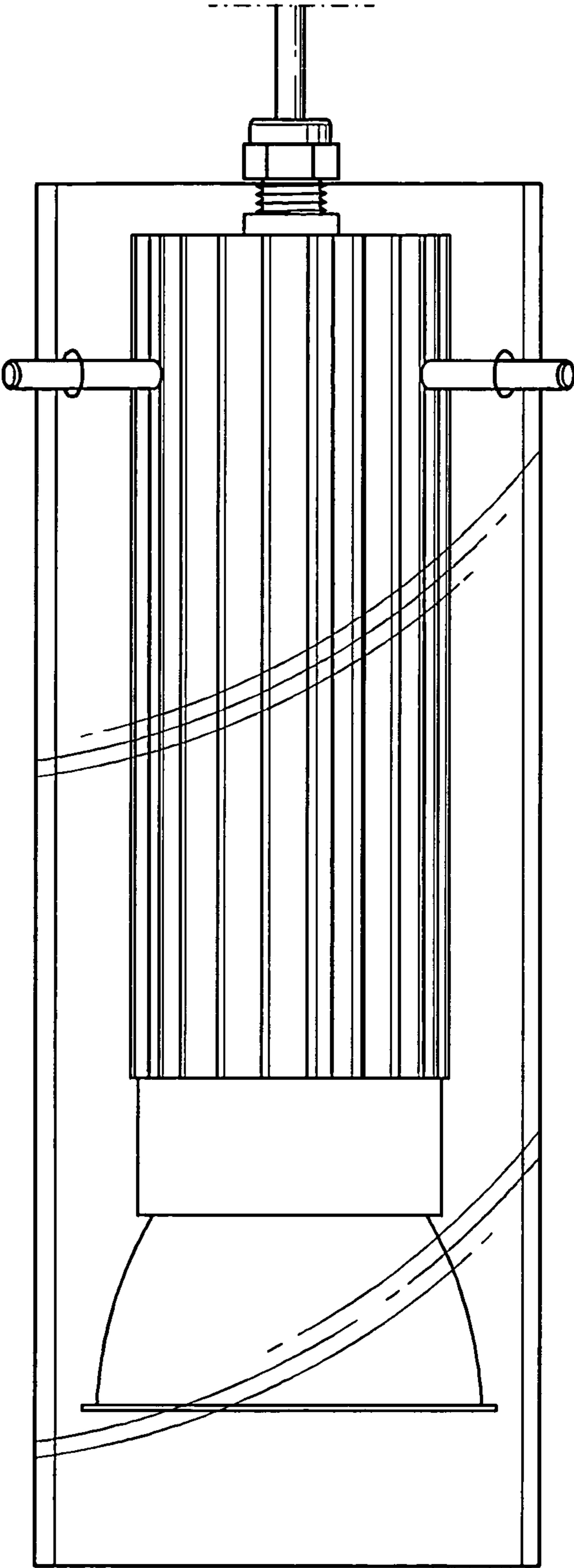


FIG. 2

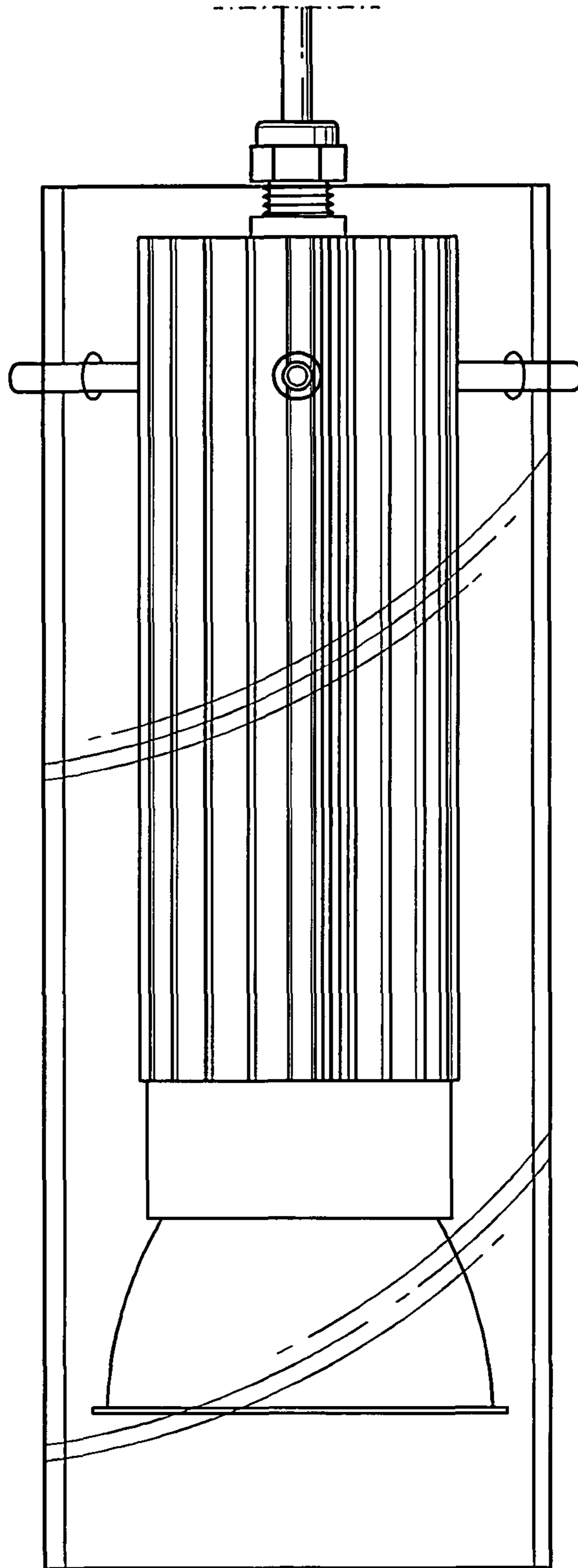


FIG. 3

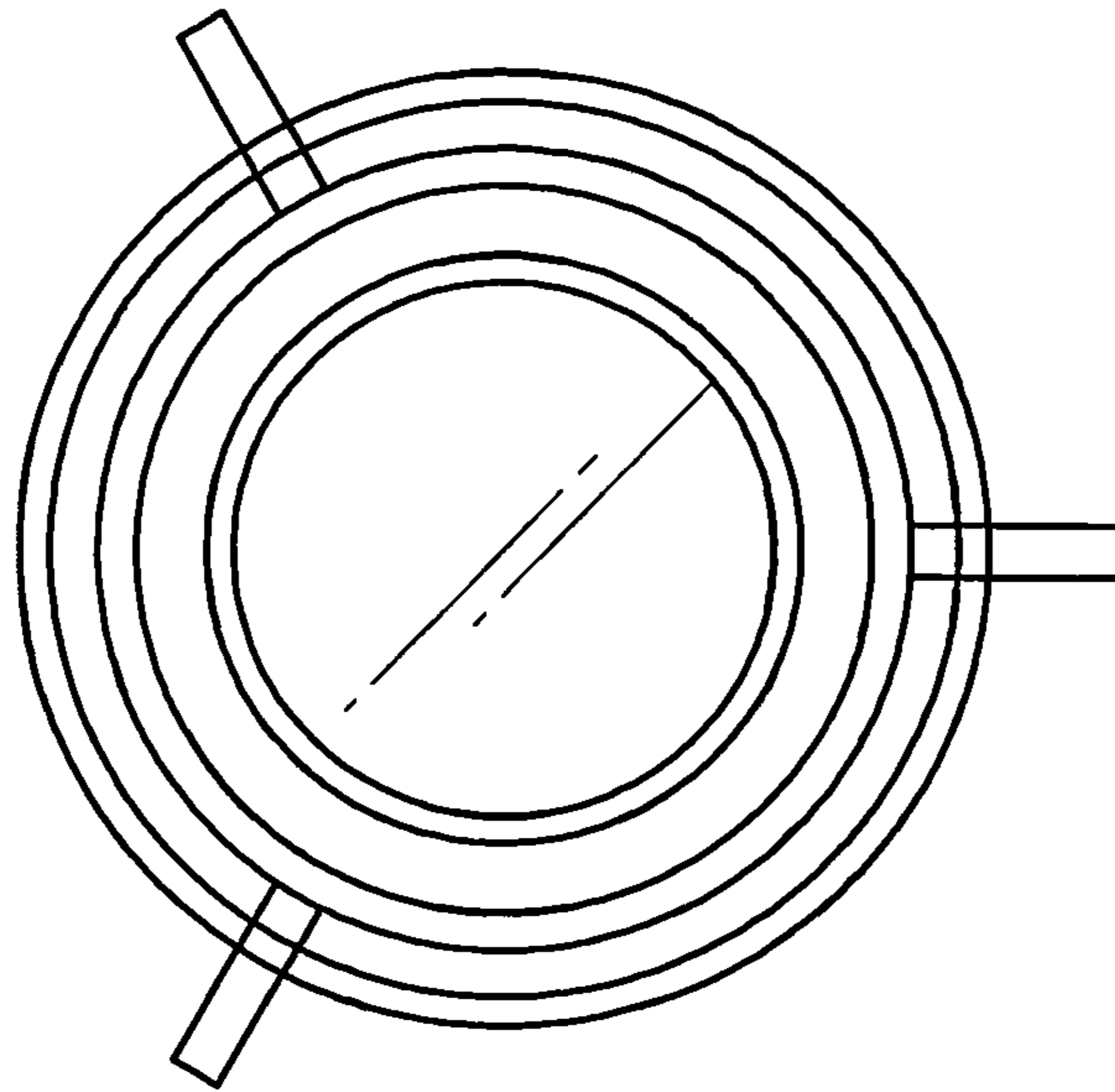


FIG. 4

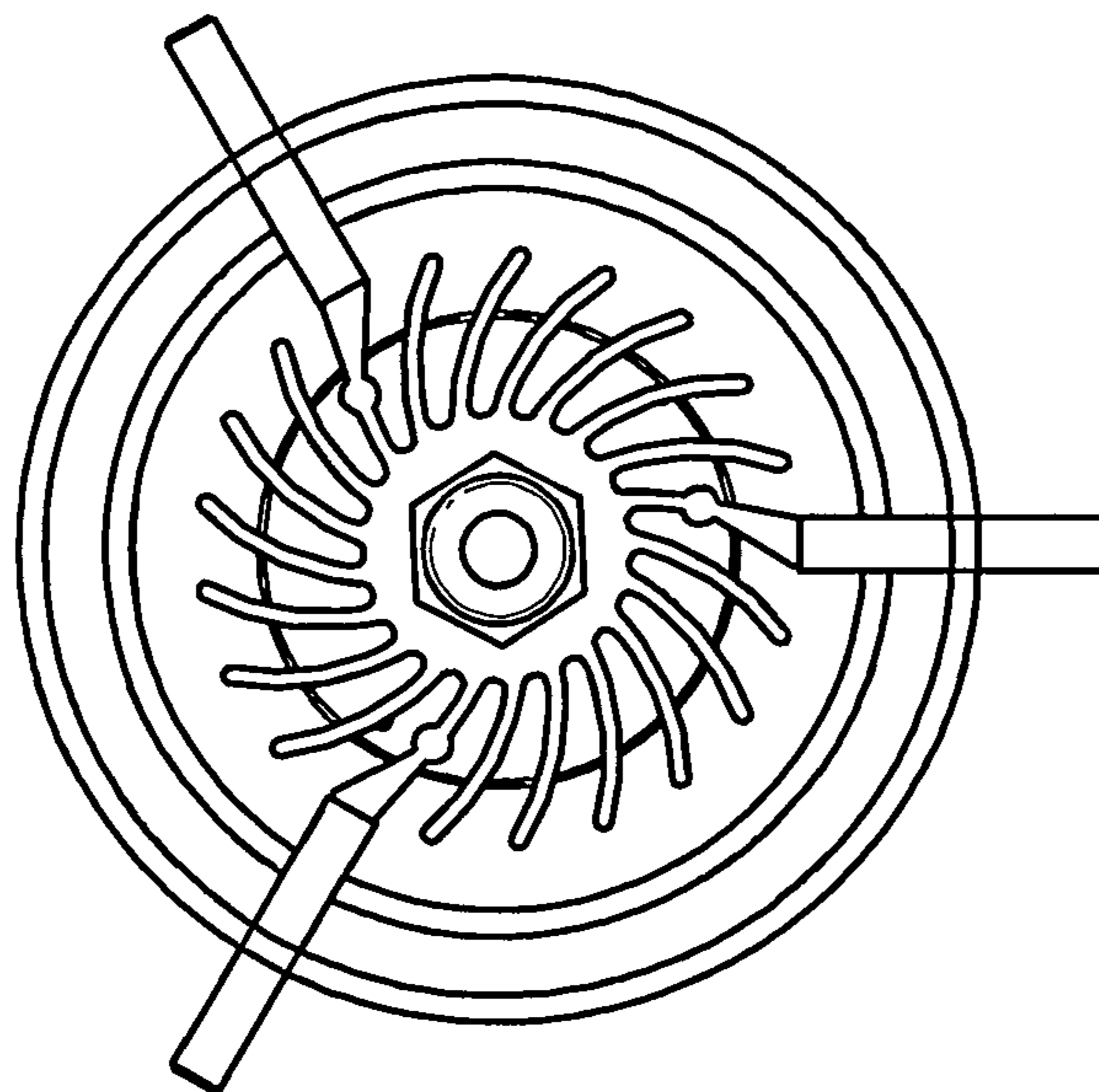


FIG. 5