

US00D694941S

(12) **United States Design Patent**
Yu

(10) **Patent No.:** **US D694,941 S**
(45) **Date of Patent:** **** Dec. 3, 2013**

(54) **WALL MOUNT LED ENTRY LIGHT**

(71) Applicant: **Chung Han Yu**, City of Industry, CA
(US)

(72) Inventor: **Chung Han Yu**, City of Industry, CA
(US)

(73) Assignee: **Chung Han Yu**, City of Industry, CA
(US)

(**) Term: **14 Years**

(21) Appl. No.: **29/442,279**

(22) Filed: **Jan. 22, 2013**

(51) **LOC (9) Cl.** **26-03**

(52) **U.S. Cl.**
USPC **D26/87**

(58) **Field of Classification Search**
USPC D26/71, 72, 87, 92;
362/249.01-249.06, 294, 373, 431,
362/432

See application file for complete search history.

(56) **References Cited**

U.S. PATENT DOCUMENTS

D68,846 S *	11/1925	Bohl	D26/92
D82,921 S *	12/1930	Von Nessen	D26/92
D103,576 S *	3/1937	Johnson	D26/92
D200,118 S *	1/1965	Van Steenhoven	D26/71
D205,411 S *	8/1966	Pettengill	D26/71
D207,178 S *	3/1967	Atkin et al.	D26/87
D211,489 S *	6/1968	Bernadotte	D26/87

D233,167 S *	10/1974	Gore et al.	D26/71
4,472,768 A *	9/1984	Quiogue	362/370
D313,483 S *	1/1991	Blake	D26/71
D408,938 S *	4/1999	Miyatake	D26/87
D418,620 S *	1/2000	Grossman	D26/71
D424,228 S *	5/2000	Grossman	D26/71
D541,973 S *	5/2007	Dolan	D26/87
D555,821 S *	11/2007	Russello et al.	D26/71
D558,376 S *	12/2007	Posey et al.	D26/72
D565,788 S *	4/2008	Miyatake	D26/155
D566,875 S *	4/2008	Khubani	D26/72
D666,351 S *	8/2012	Tsao	D26/92
D667,159 S *	9/2012	Wauters	D26/87
D672,492 S *	12/2012	Butler et al.	D26/71

* cited by examiner

Primary Examiner — Clare E Heflin

(57) **CLAIM**

The ornamental design for a wall mount LED entry light, as shown and described.

DESCRIPTION

FIG. 1 is a front perspective view of the wall mount LED entry light showing the new design; FIG. 2 is a left side view thereof; FIG. 3 is a front view thereof; FIG. 4 is a right side view thereof; FIG. 5 is a top view thereof; FIG. 6 is a bottom view thereof; and, FIG. 7 is a rear view thereof. The broken lines shown on the drawings depict portions of the light that form no part of the claimed design.

1 Claim, 7 Drawing Sheets

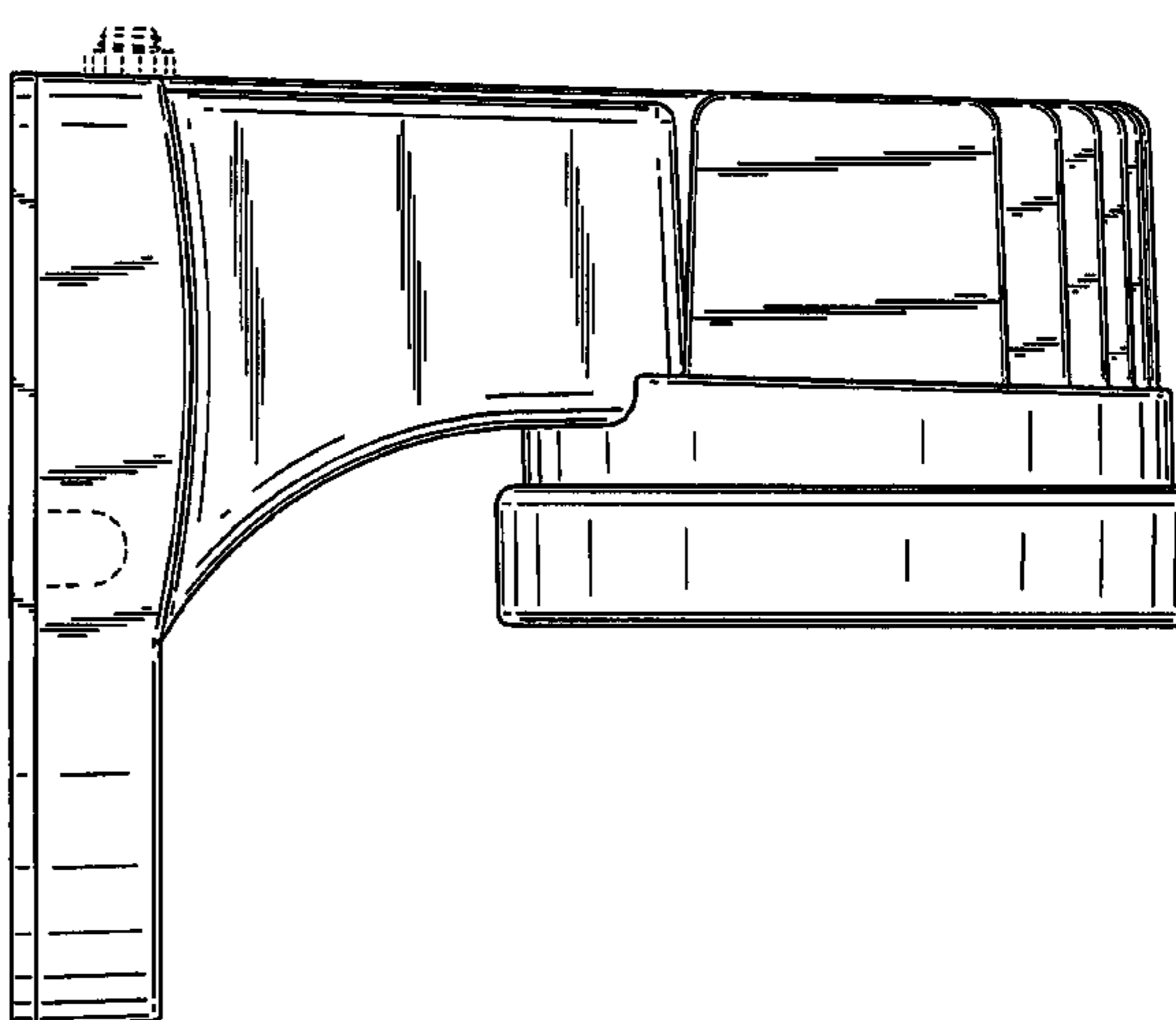
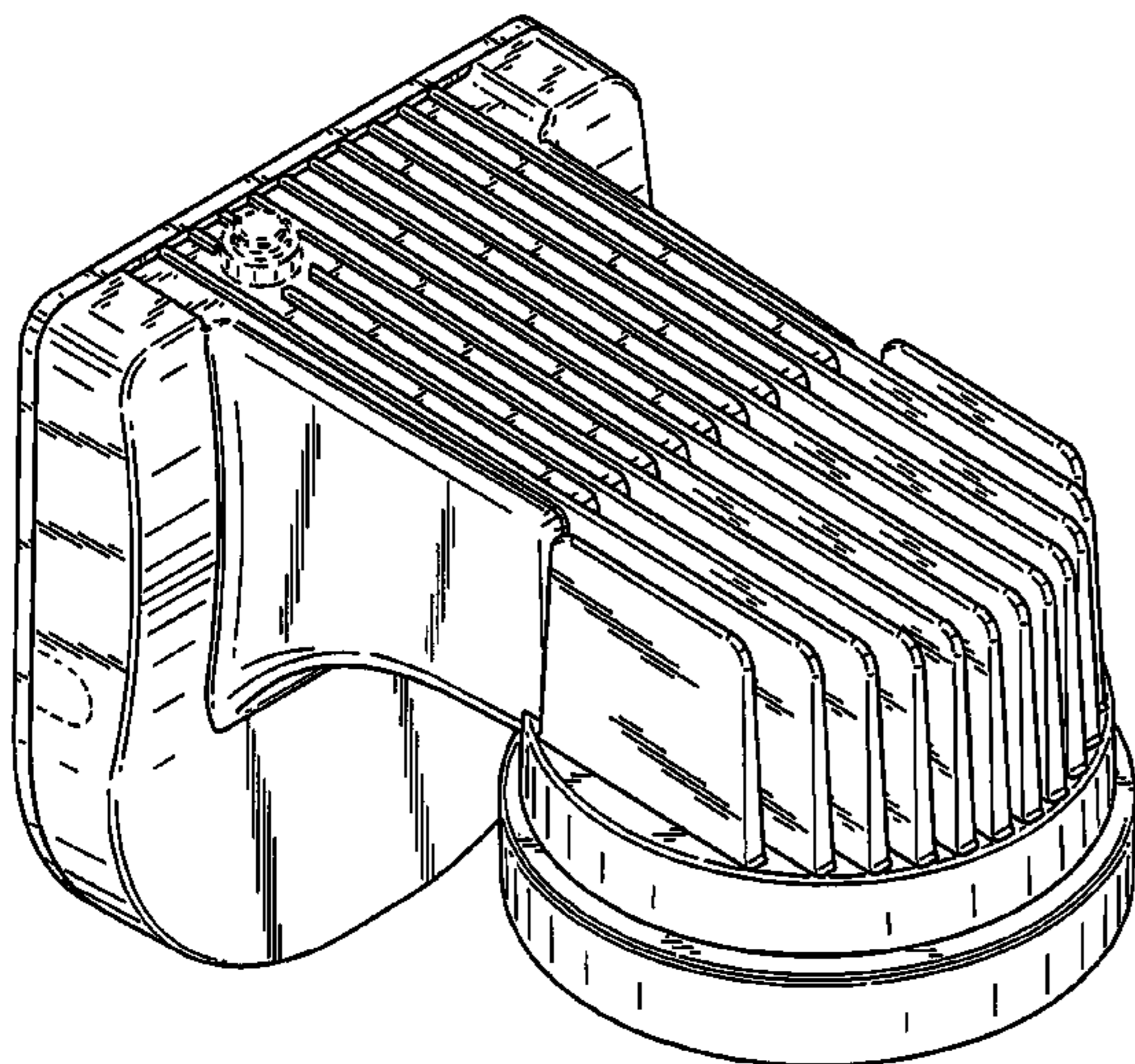
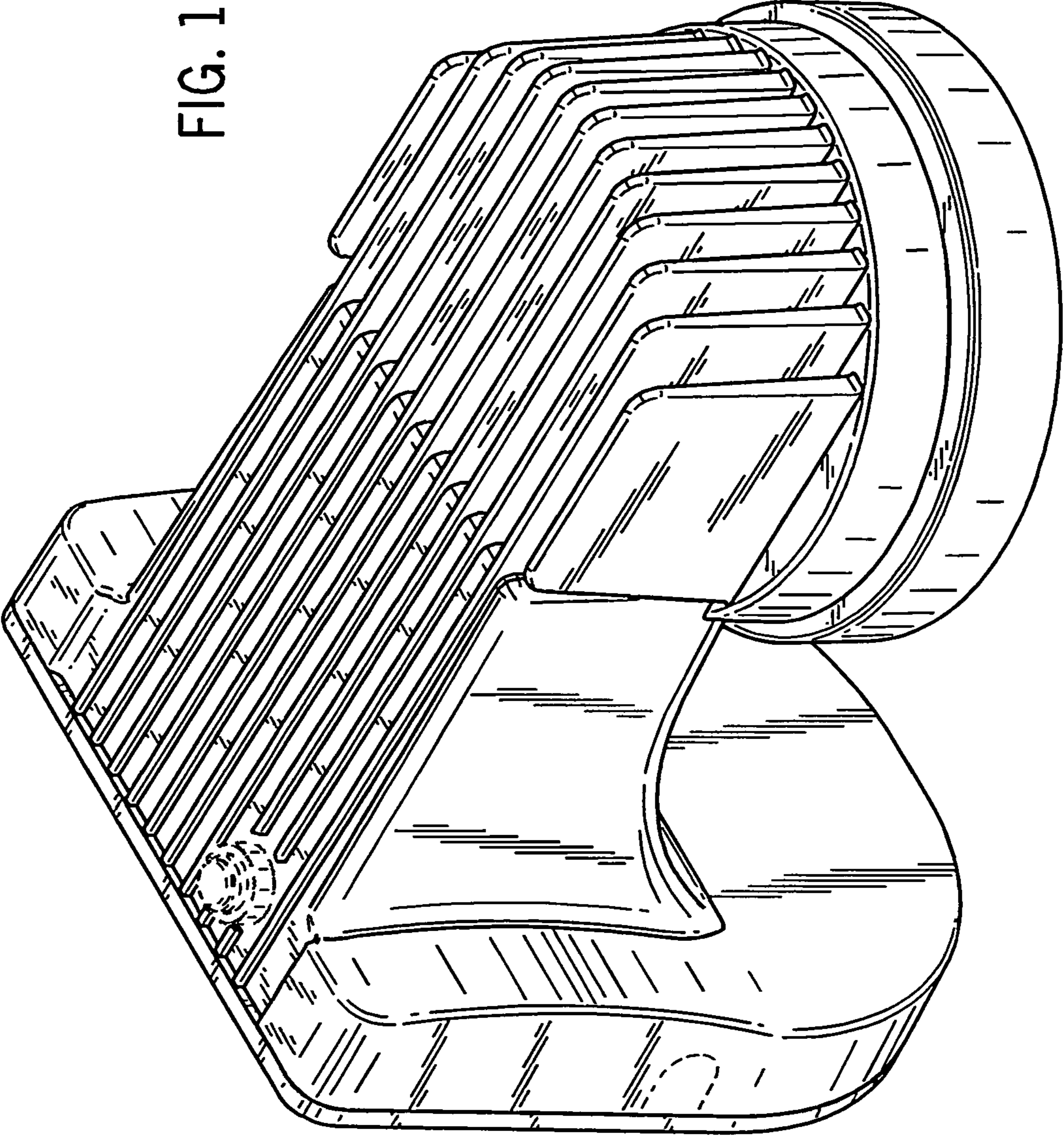


FIG. 1



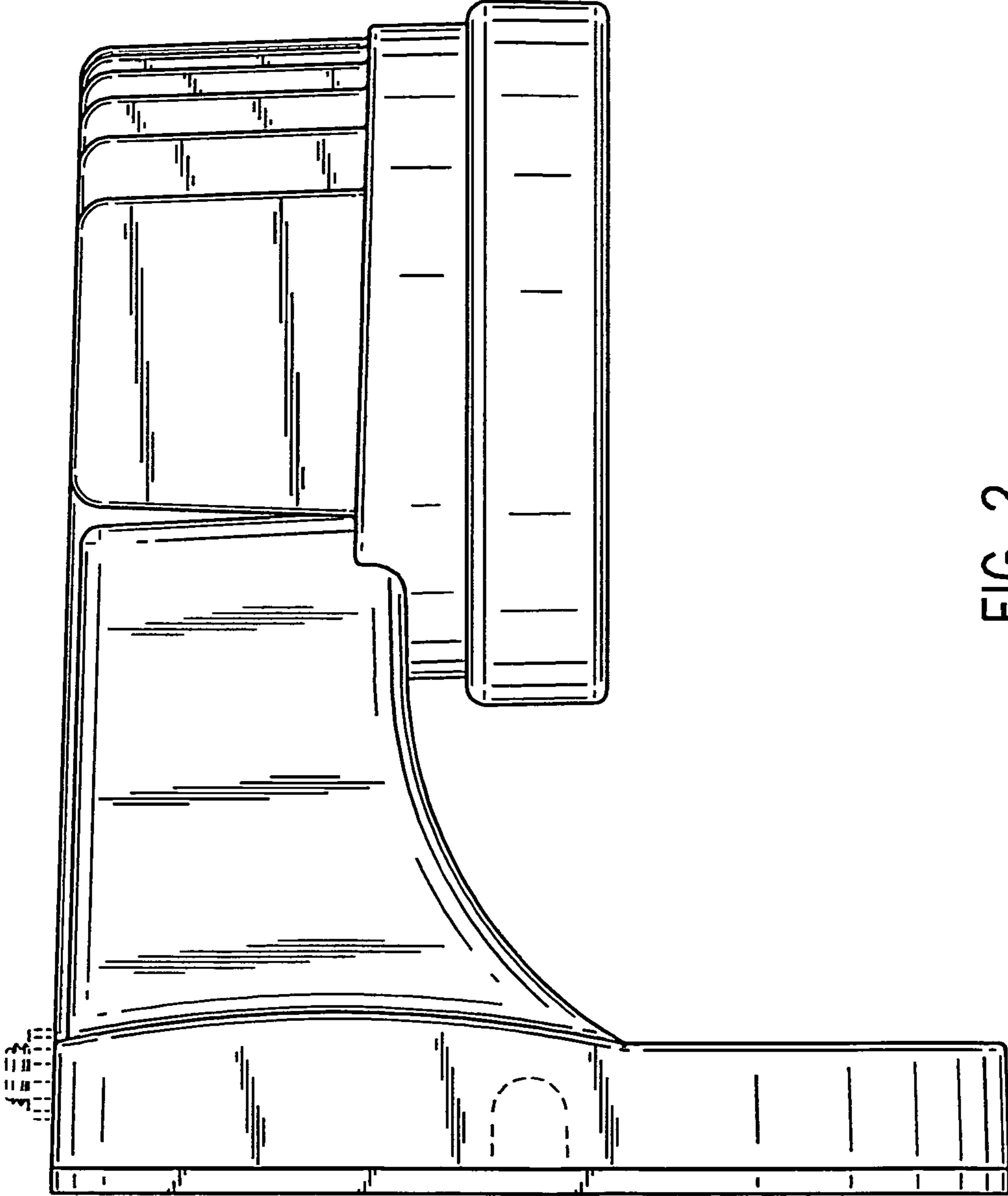


FIG. 2

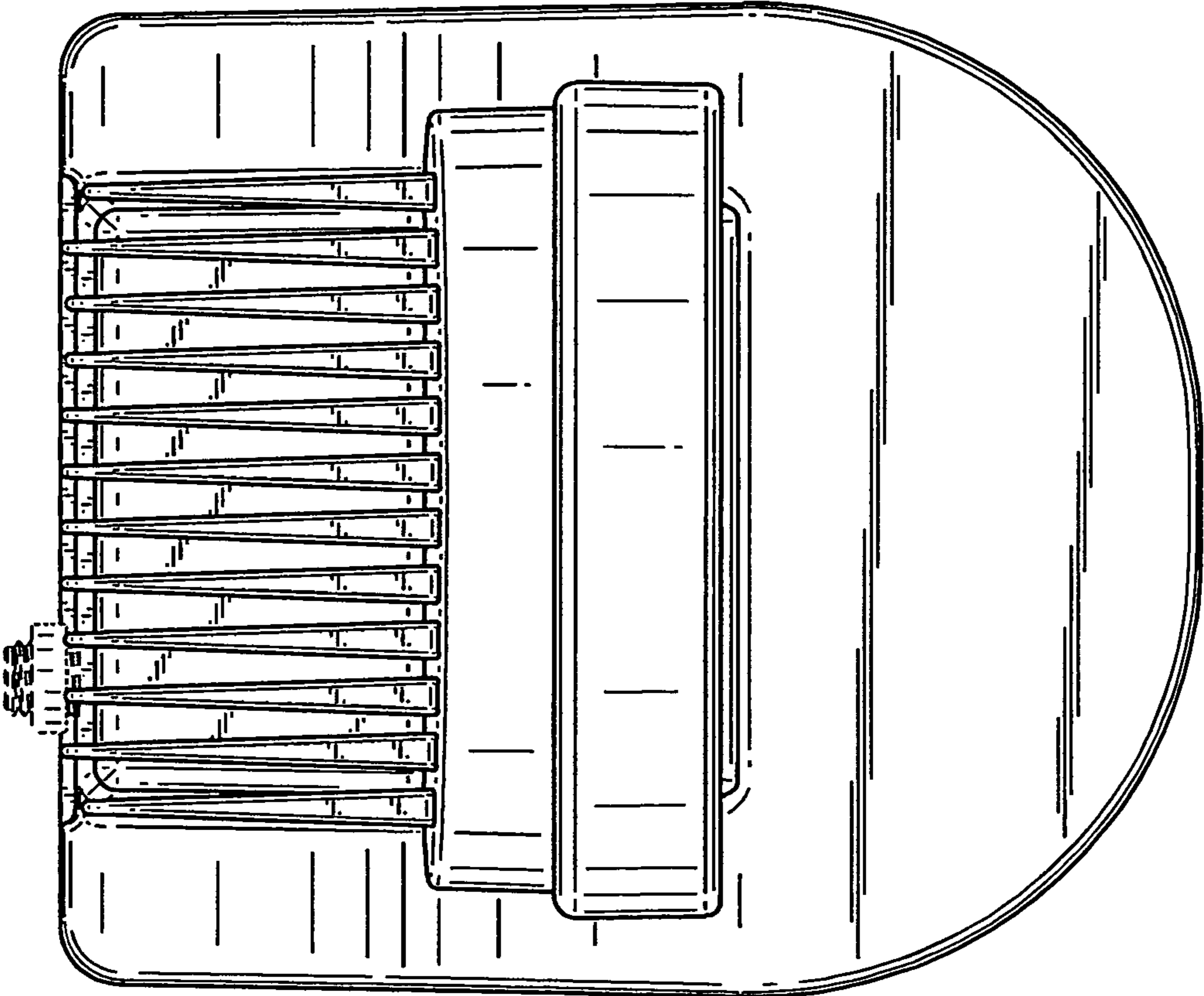


FIG. 3



FIG. 4

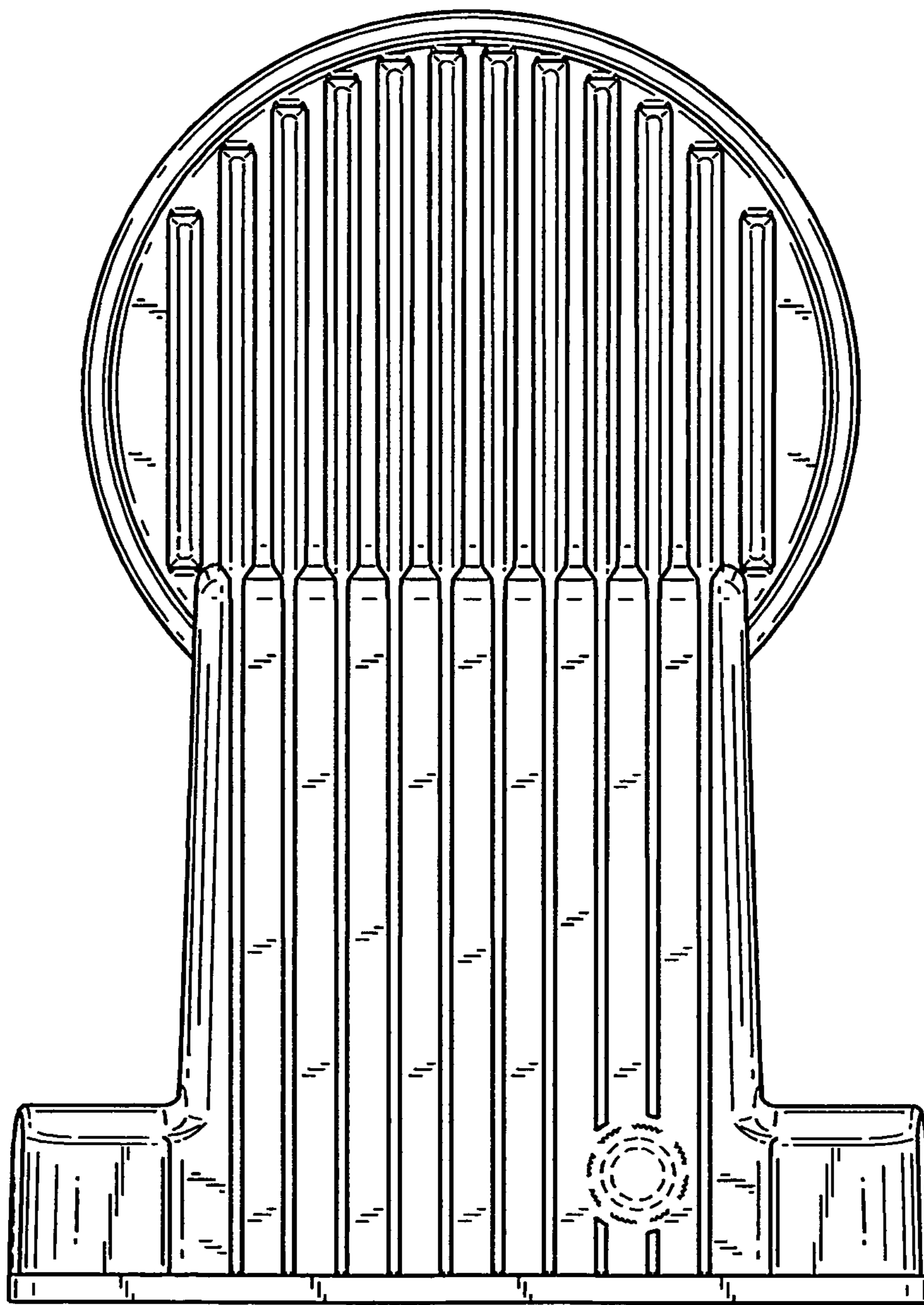


FIG. 5

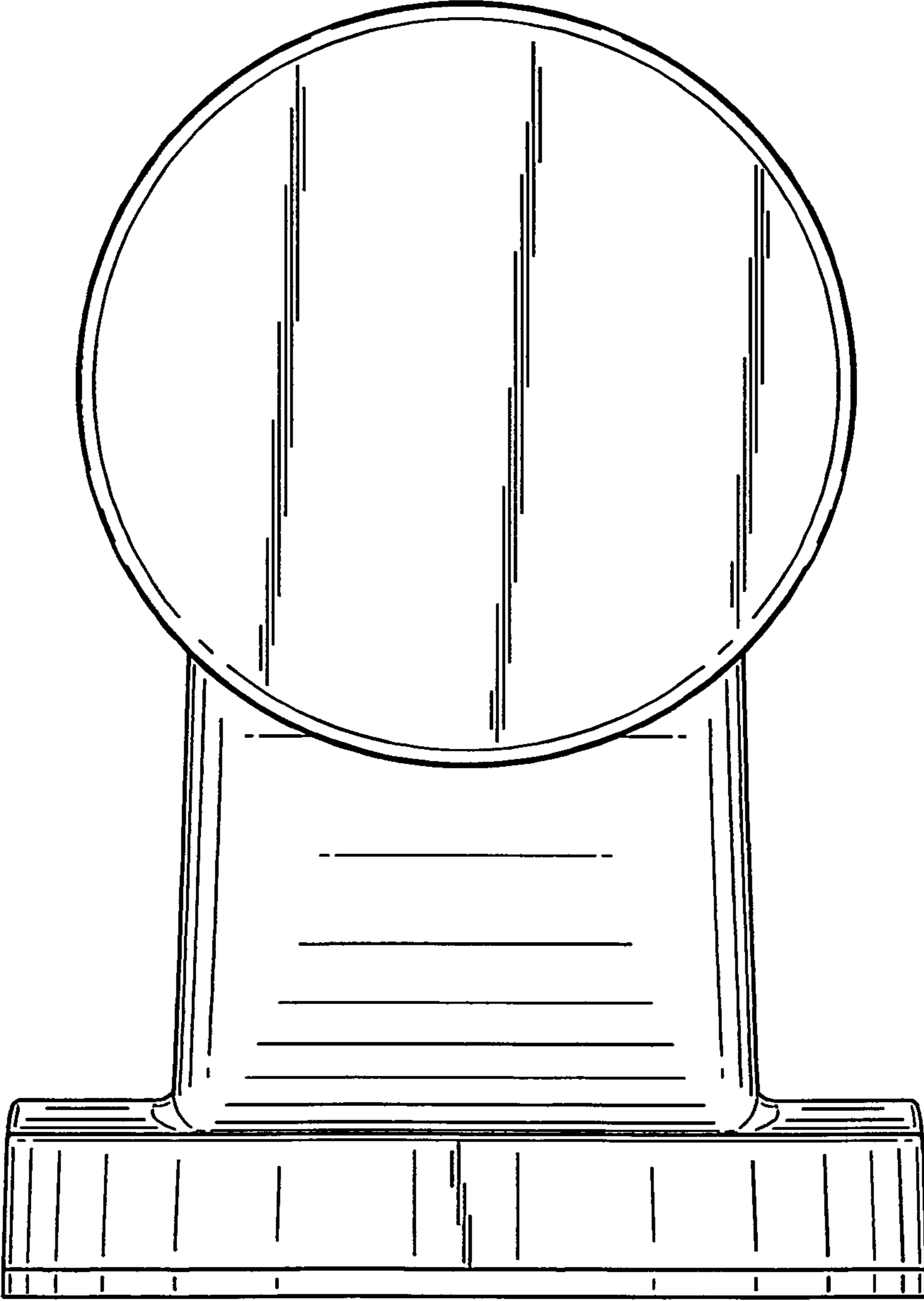


FIG. 6

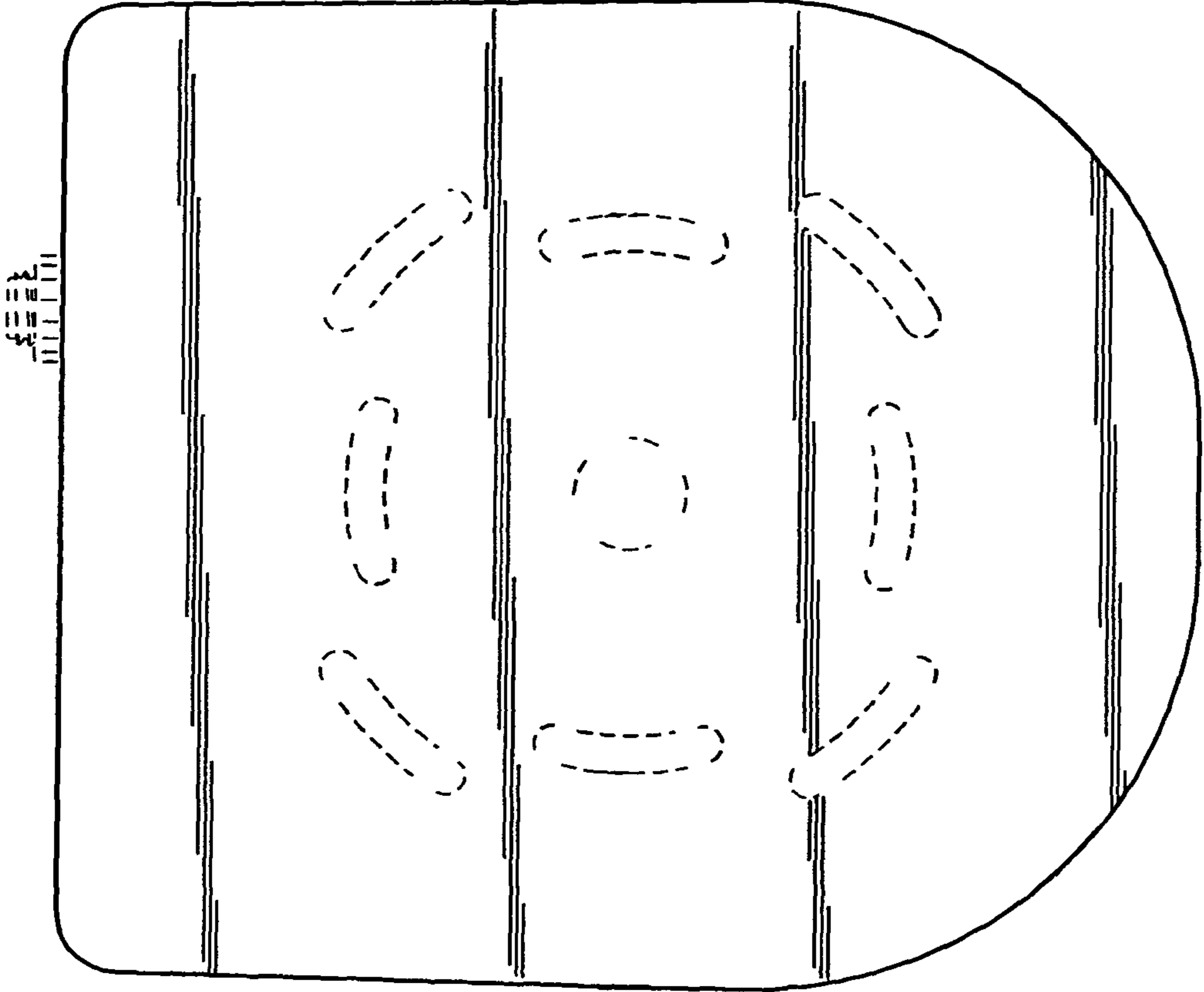


FIG. 7