



US00D694938S

(12) **United States Design Patent**
Dolan

(10) **Patent No.:** **US D694,938 S**
(45) **Date of Patent:** **** Dec. 3, 2013**

(54) **LIGHT FIXTURE**

(71) Applicant: **Patrick S. Dolan**, Portland, OR (US)

(72) Inventor: **Patrick S. Dolan**, Portland, OR (US)

(**) Term: **14 Years**

(21) Appl. No.: **29/442,256**

(22) Filed: **Jan. 14, 2013**

(51) **LOC (9) Cl.** **26-03**

(52) **U.S. Cl.**
USPC **D26/87**

(58) **Field of Classification Search**
USPC D26/67, 68, 85, 87, 118, 128; 362/147,
362/183, 350, 356, 363, 432
See application file for complete search history.

(56) **References Cited**

U.S. PATENT DOCUMENTS

D101,868 S	*	11/1936	Gobstein	D26/85
D536,821 S		2/2007	Dolan		
D541,973 S	*	5/2007	Dolan	D26/87
D625,874 S	*	10/2010	Sanoner	D26/67
D629,551 S	*	12/2010	Jing	D26/67
D669,622 S	*	10/2012	Orozco	D26/85

OTHER PUBLICATIONS

As seen on website www.dolandesigns.com, Item 9201-68, Jan. 14, 2013.

As seen on website www.lampsplus.com, Item 91169, Jan. 14, 2013.
As seen on website www.feiss.com, Item OL2200BB, Jan. 14, 2013.

* cited by examiner

Primary Examiner — Clare E Heflin

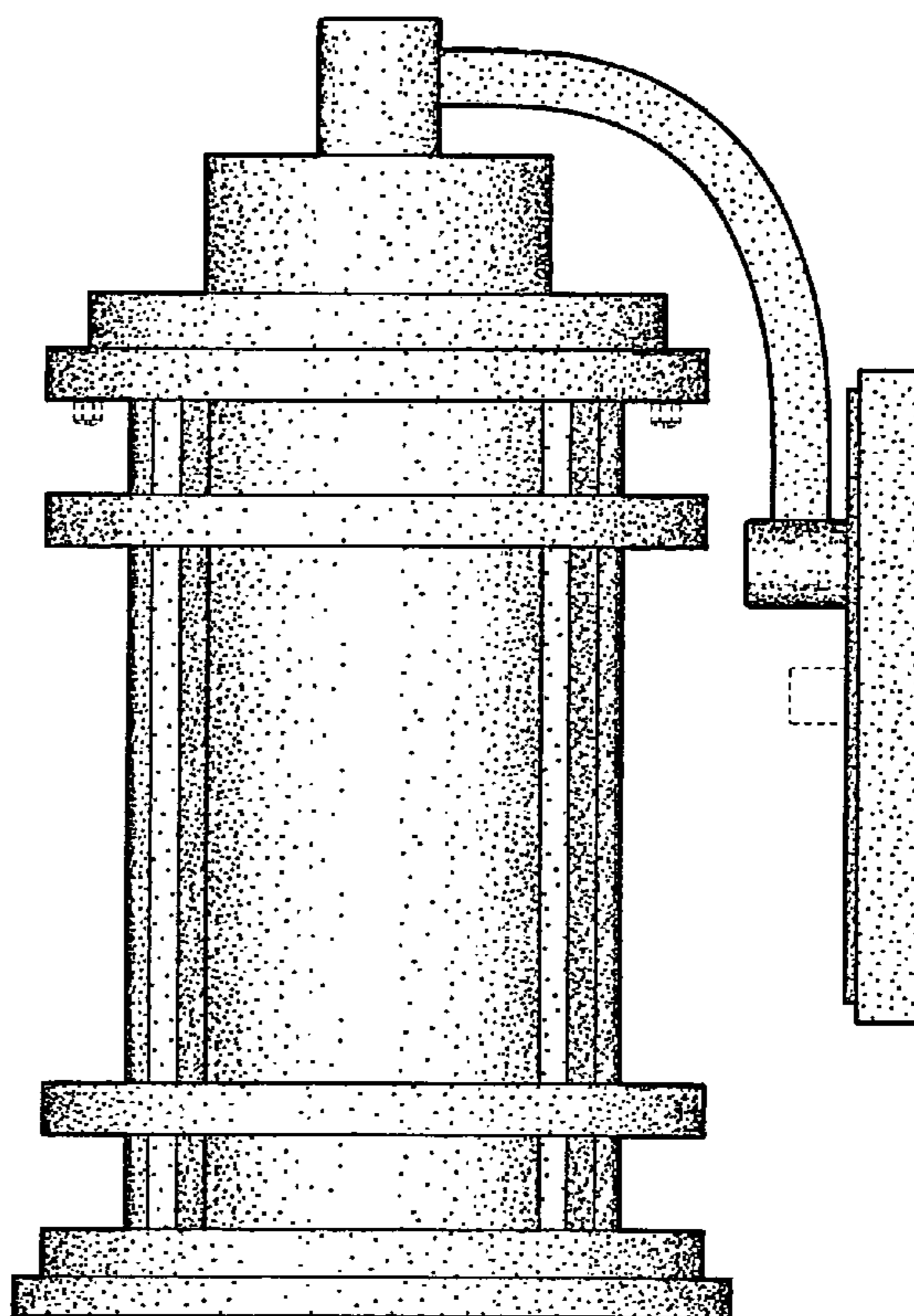
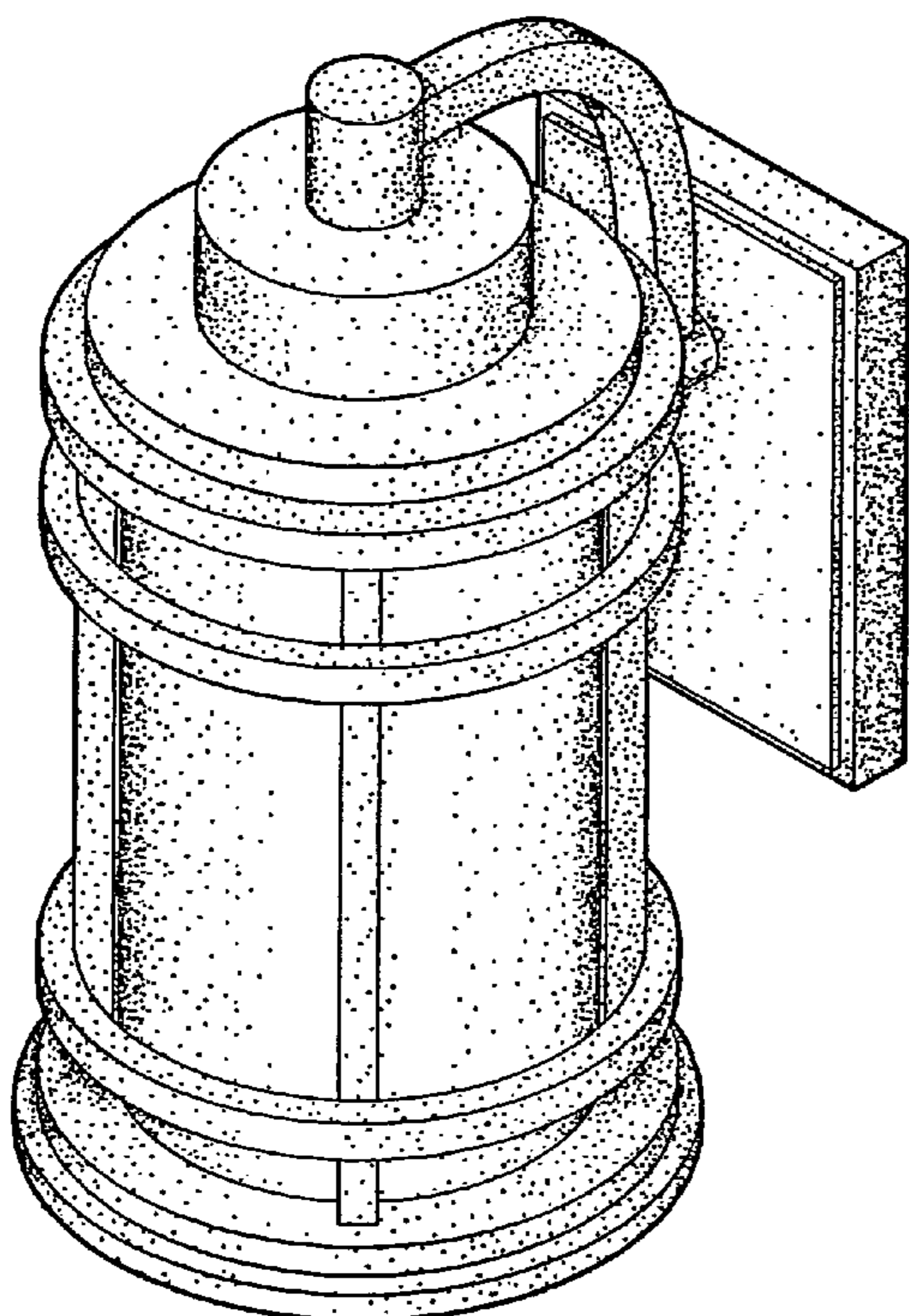
(57) **CLAIM**

The ornamental design for a light fixture, as shown and described.

DESCRIPTION

FIG. 1 is a perspective view thereof;
FIG. 2 is a front elevational view thereof;
FIG. 3 is a right side view, the left side view being a mirror image;
FIG. 4 is a rear elevational view thereof.
FIG. 5 is a top plan view thereof; and,
FIG. 6 is a bottom plan view thereof.
The broken line showing of environmental structure is for illustrative purposes only and forms no part of the claimed design.

1 Claim, 6 Drawing Sheets



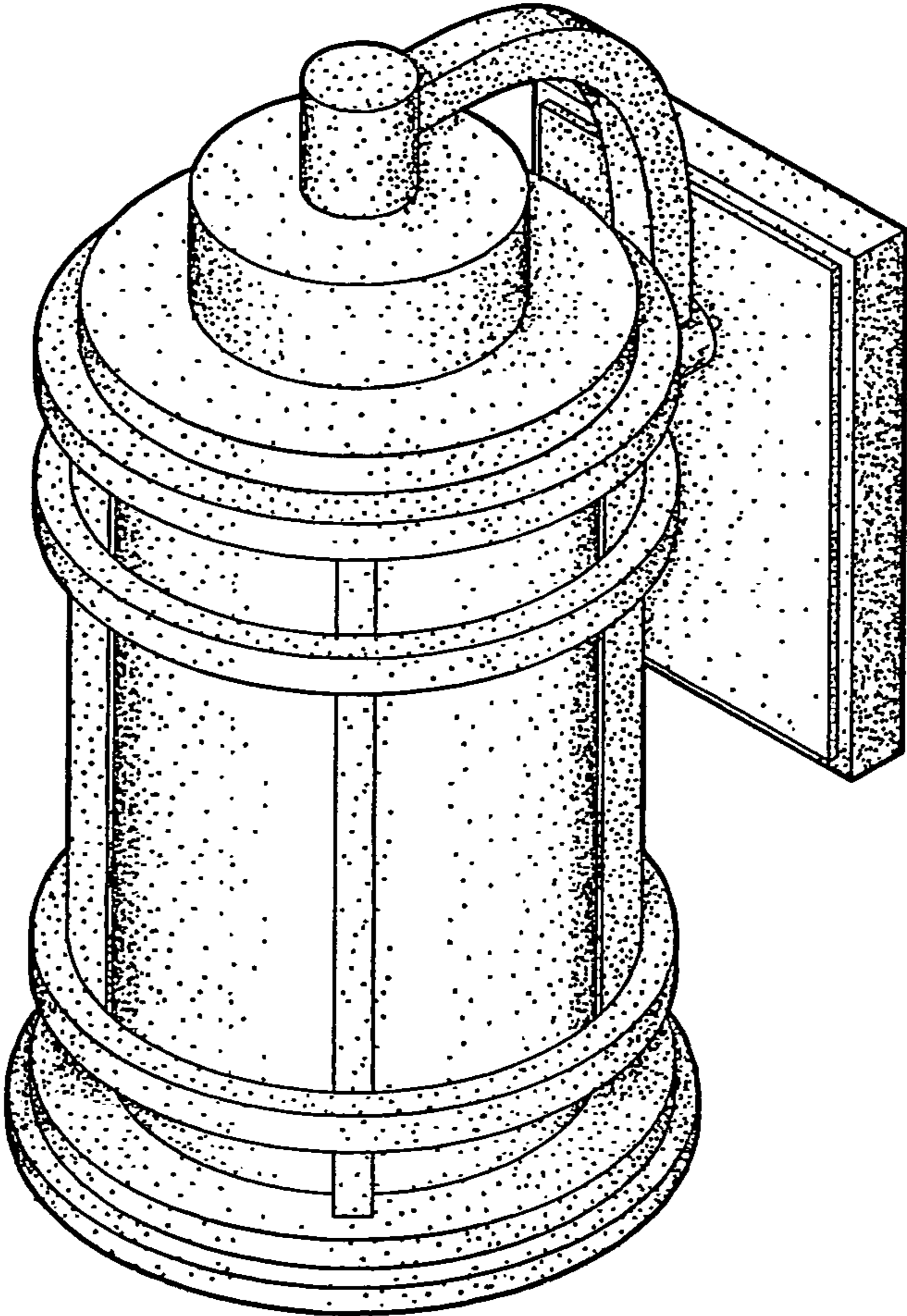


FIG. 1

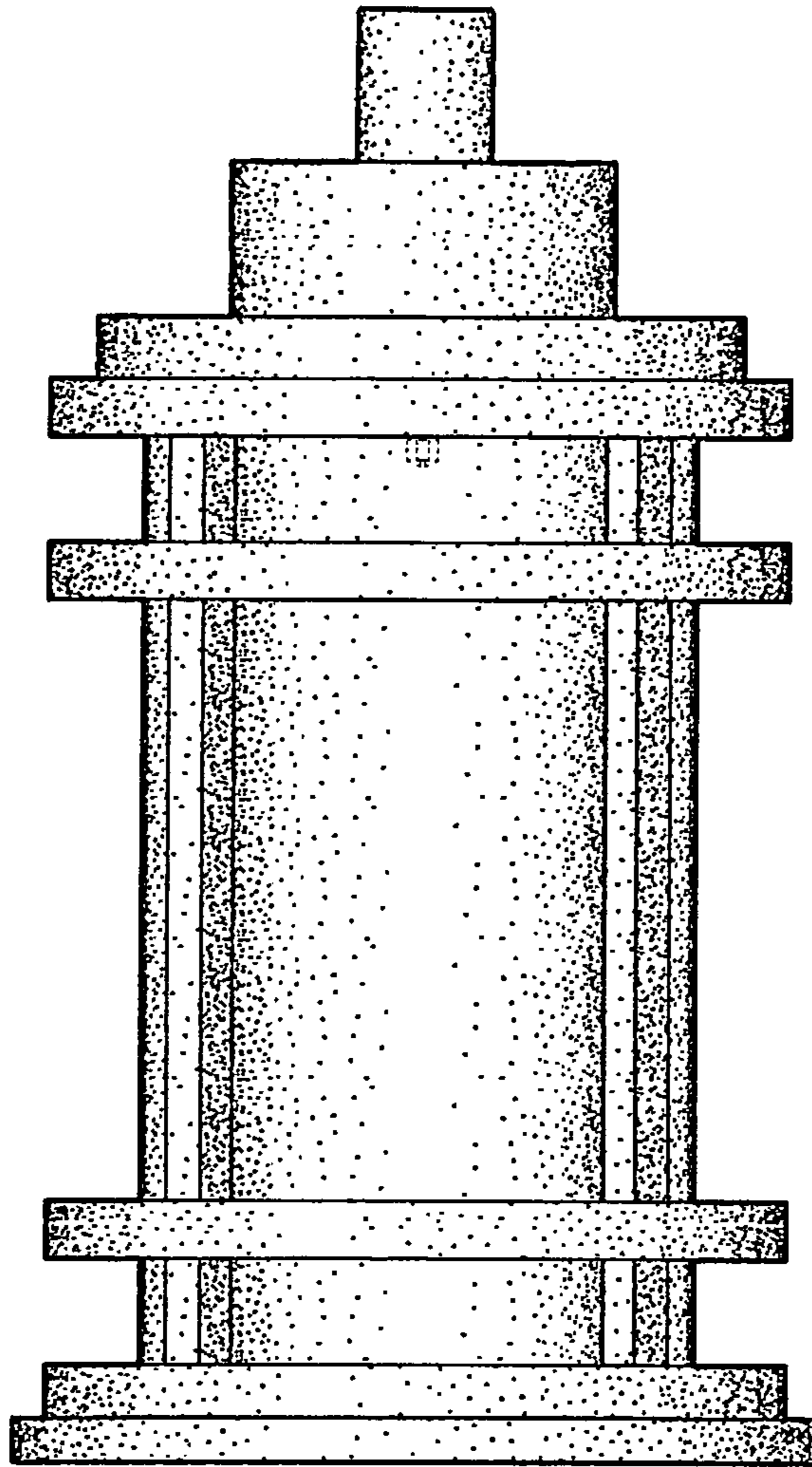


FIG. 2

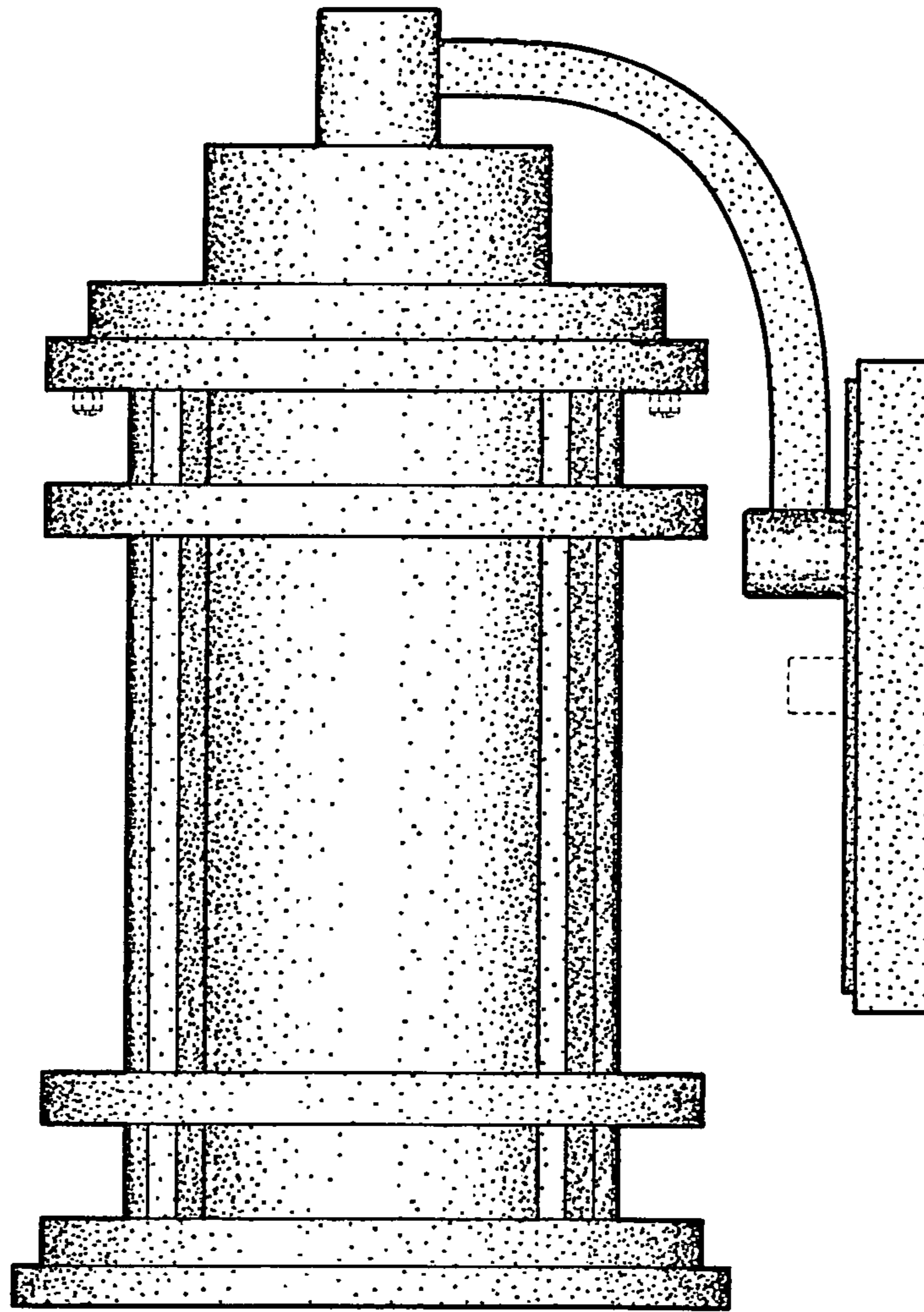


FIG. 3

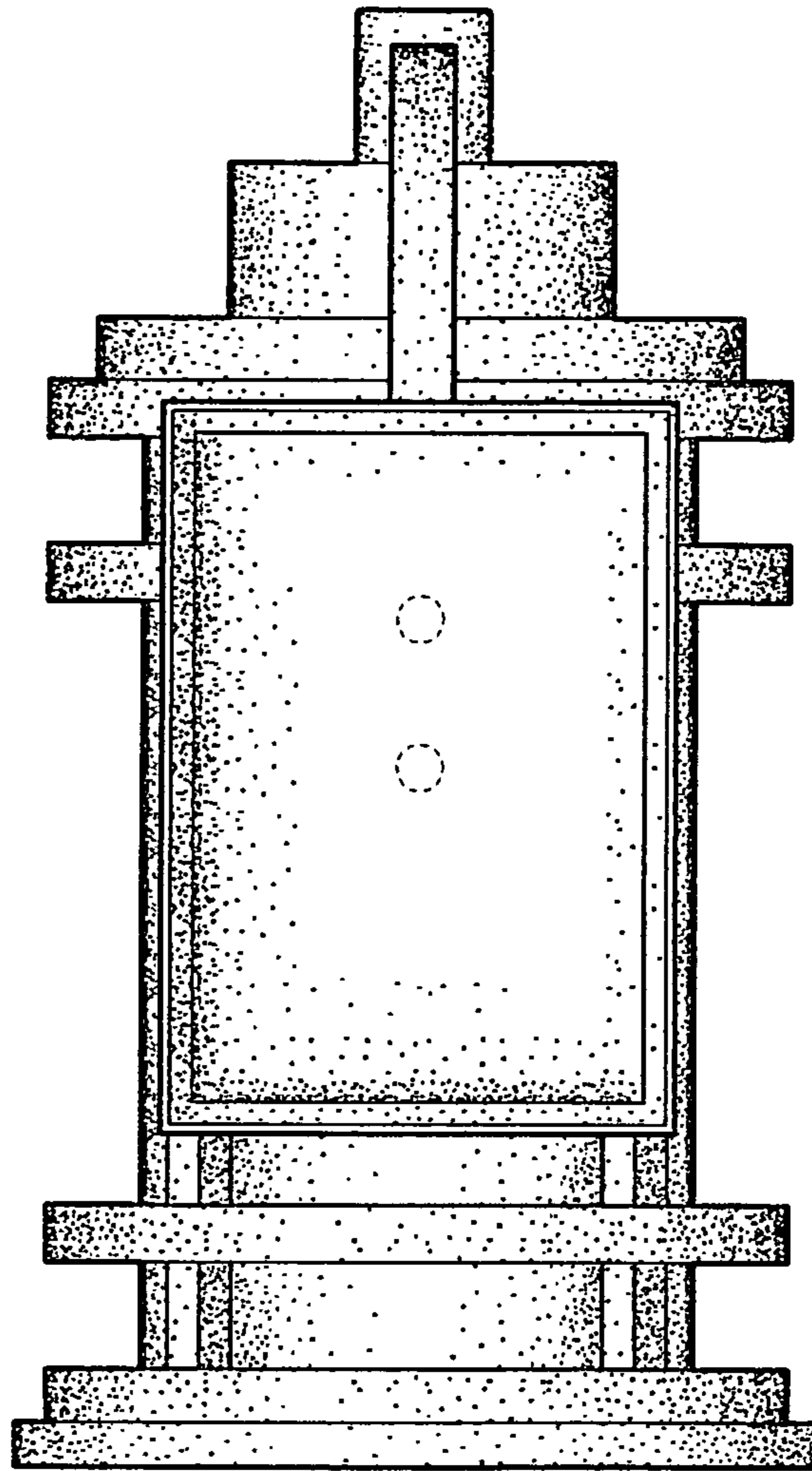


FIG. 4

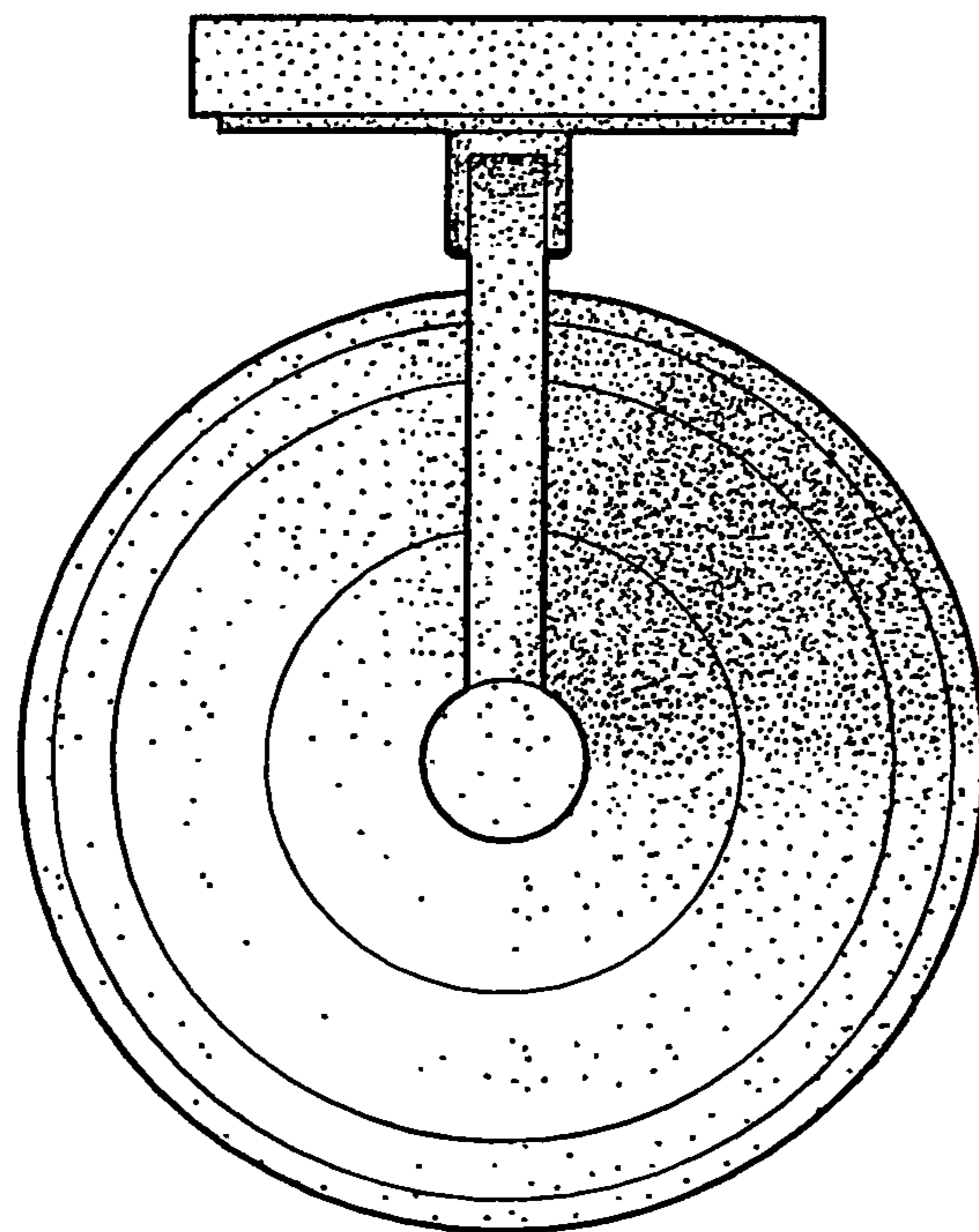


FIG. 5

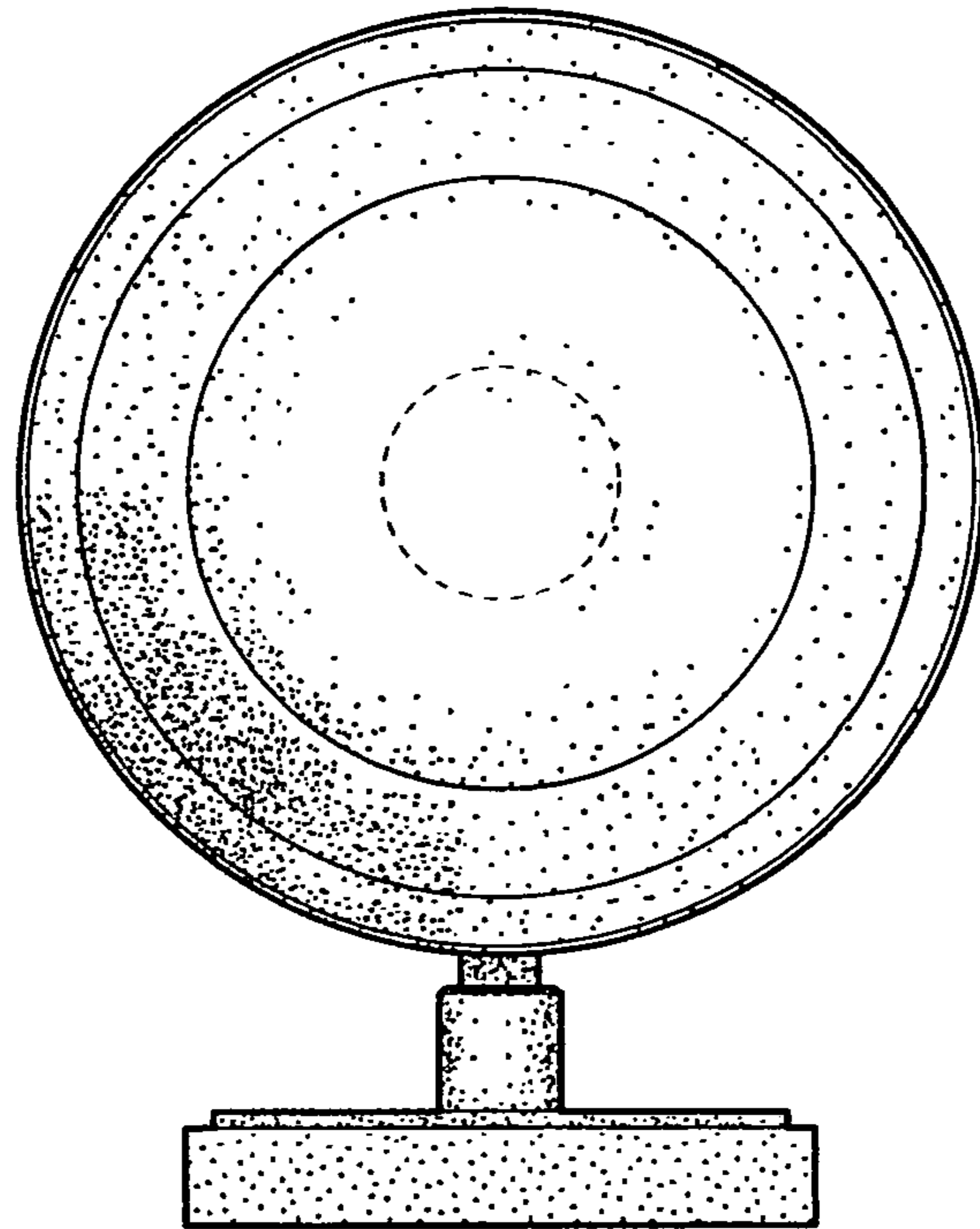


FIG. 6