



US00D694933S

(12) **United States Design Patent**  
**Meyer et al.**

(10) **Patent No.:** **US D694,933 S**

(45) **Date of Patent:** **\*\* Dec. 3, 2013**

(54) **LIGHT**

(71) Applicant: **Target Brands, Inc.**, Minneapolis, MN (US)

(72) Inventors: **Scott A. Meyer**, Waconia, MN (US);  
**Kevin L. Robledo**, Minneapolis, MN (US); **Samuel D. Silva**, Robbinsdale, MN (US); **Chad M Bogdan**, St. Paul, MN (US)

(73) Assignee: **Target Brands, Inc.**, Minneapolis, MN (US)

(\*\*) Term: **14 Years**

(21) Appl. No.: **29/439,312**

(22) Filed: **Dec. 10, 2012**

(51) **LOC (9) Cl.** ..... **26-05**

(52) **U.S. Cl.**  
USPC ..... **D26/67**

(58) **Field of Classification Search**  
USPC ..... D26/40, 67-70, 72, 85, 104, 118, 128,  
D26/134, 135; 362/153.1, 183, 414, 431,  
362/432

See application file for complete search history.

(56) **References Cited**

**U.S. PATENT DOCUMENTS**

D32,529 S \* 4/1900 Stenz ..... D26/134  
2,799,773 A \* 7/1957 Schwartz ..... 362/342  
D316,459 S \* 4/1991 Kira ..... D26/68  
D327,750 S 7/1992 Klaus

D373,437 S \* 9/1996 Kira ..... D26/63  
5,649,760 A \* 7/1997 Beadle ..... 362/270  
D390,997 S \* 2/1998 Markee ..... D26/85  
D482,143 S \* 11/2003 Buschmann et al. .... D26/2  
D497,021 S 10/2004 Pu  
D517,716 S \* 3/2006 Bucher et al. .... D26/67  
D519,663 S \* 4/2006 Wead ..... D26/68  
D539,972 S \* 4/2007 Layne ..... D26/128  
D541,968 S 5/2007 Tortel  
D551,790 S 9/2007 Richmond  
D551,791 S 9/2007 Sanoner  
D556,933 S 12/2007 Sanoner  
D599,931 S \* 9/2009 van Klinken ..... D26/67  
D615,683 S \* 5/2010 Chen ..... D26/68  
D624,683 S 9/2010 Liang  
D625,037 S 10/2010 Liang  
D676,190 S \* 2/2013 Guercio et al. .... D26/128

\* cited by examiner

*Primary Examiner* — Clare E Heflin

(74) *Attorney, Agent, or Firm* — Leanne Taveggia Farrell;  
Westman, Champlin & Koehler, P.A.

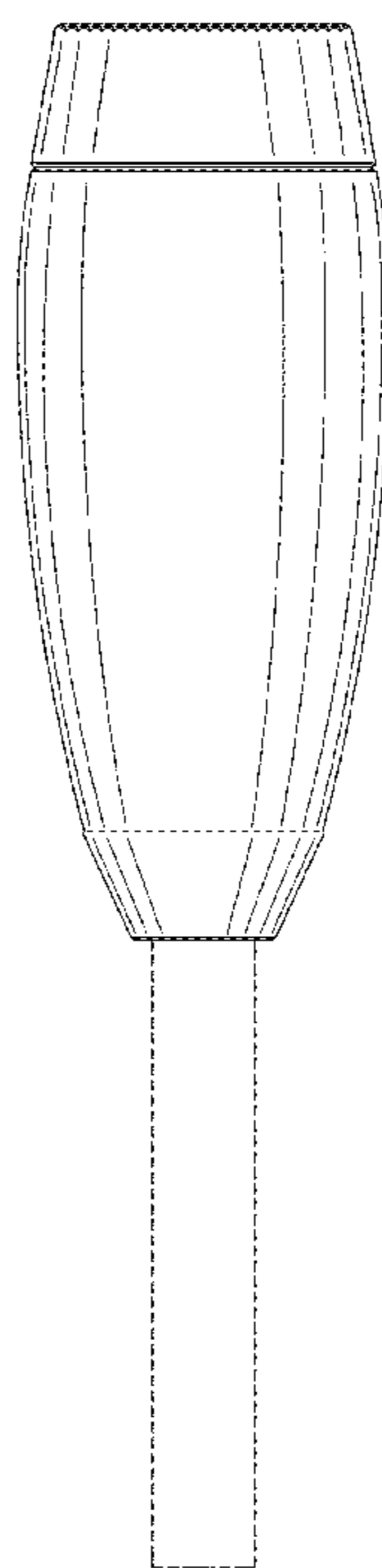
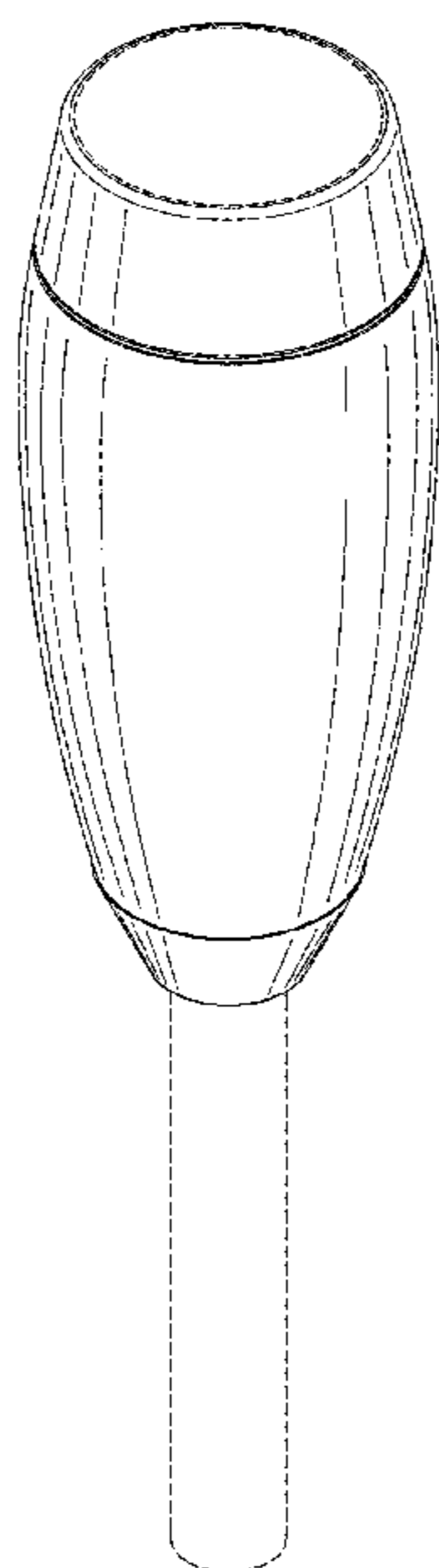
(57) **CLAIM**

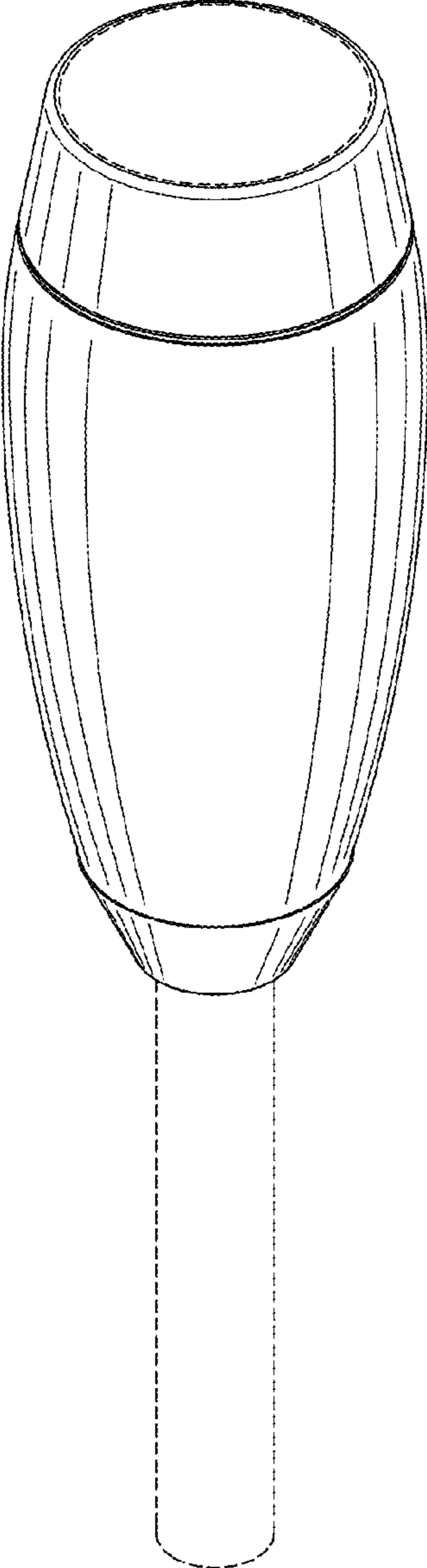
The ornamental design for a light, as shown and described.

**DESCRIPTION**

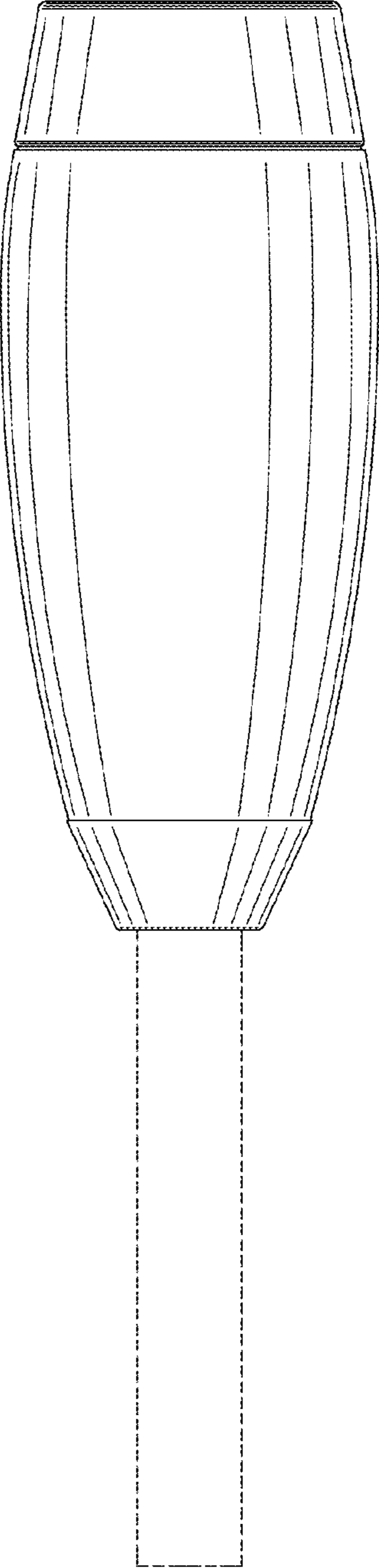
FIG. 1 is a perspective view of a light;  
FIG. 2 is a side view thereof, an opposing side, a front and a rear being identical;  
FIG. 3 is a top view thereof; and,  
FIG. 4 is a bottom view thereof.  
The broken lines shown in the drawings are included for purposes of illustrating portions of the light and form no part of the claimed design.

**1 Claim, 2 Drawing Sheets**

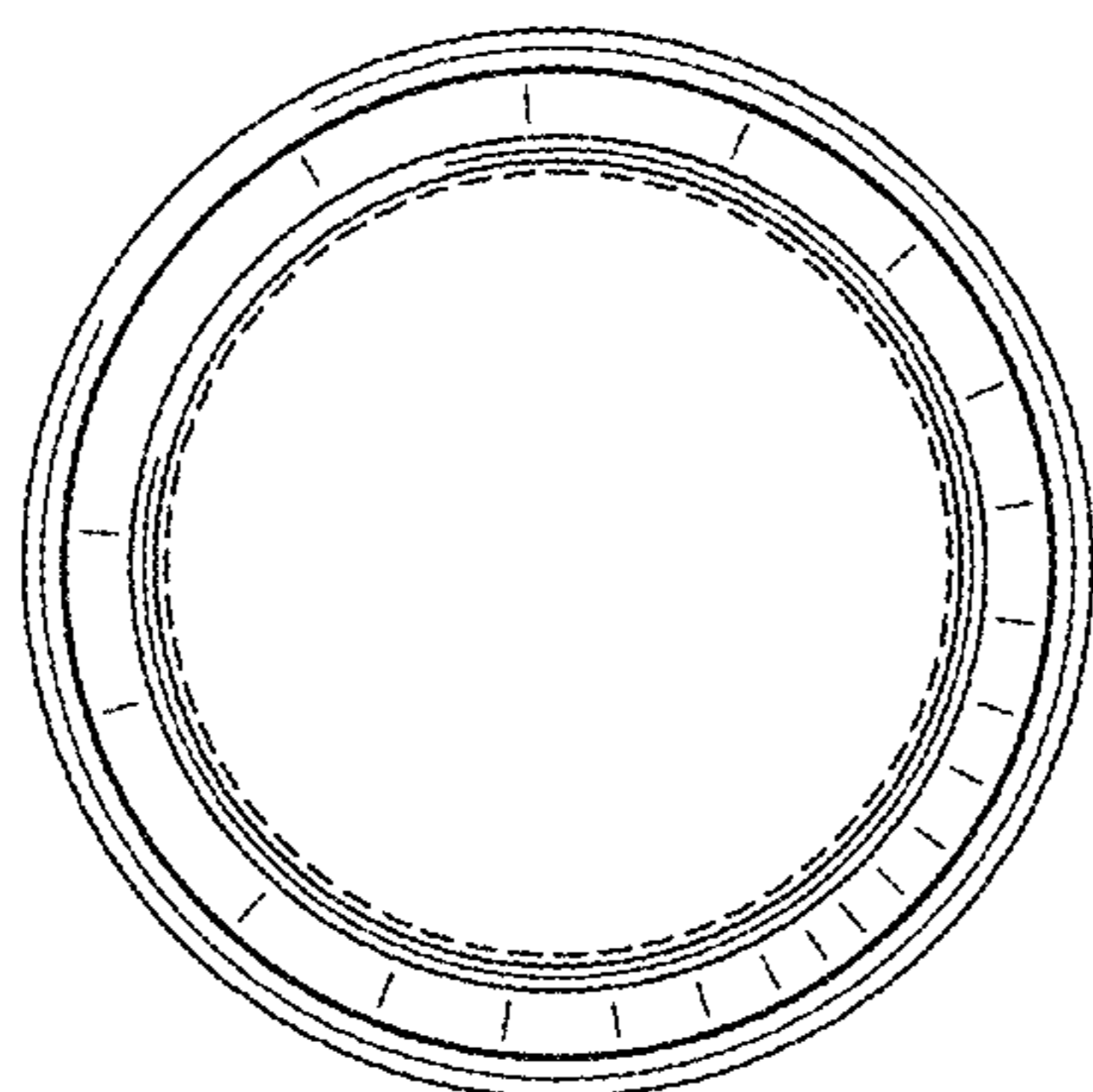




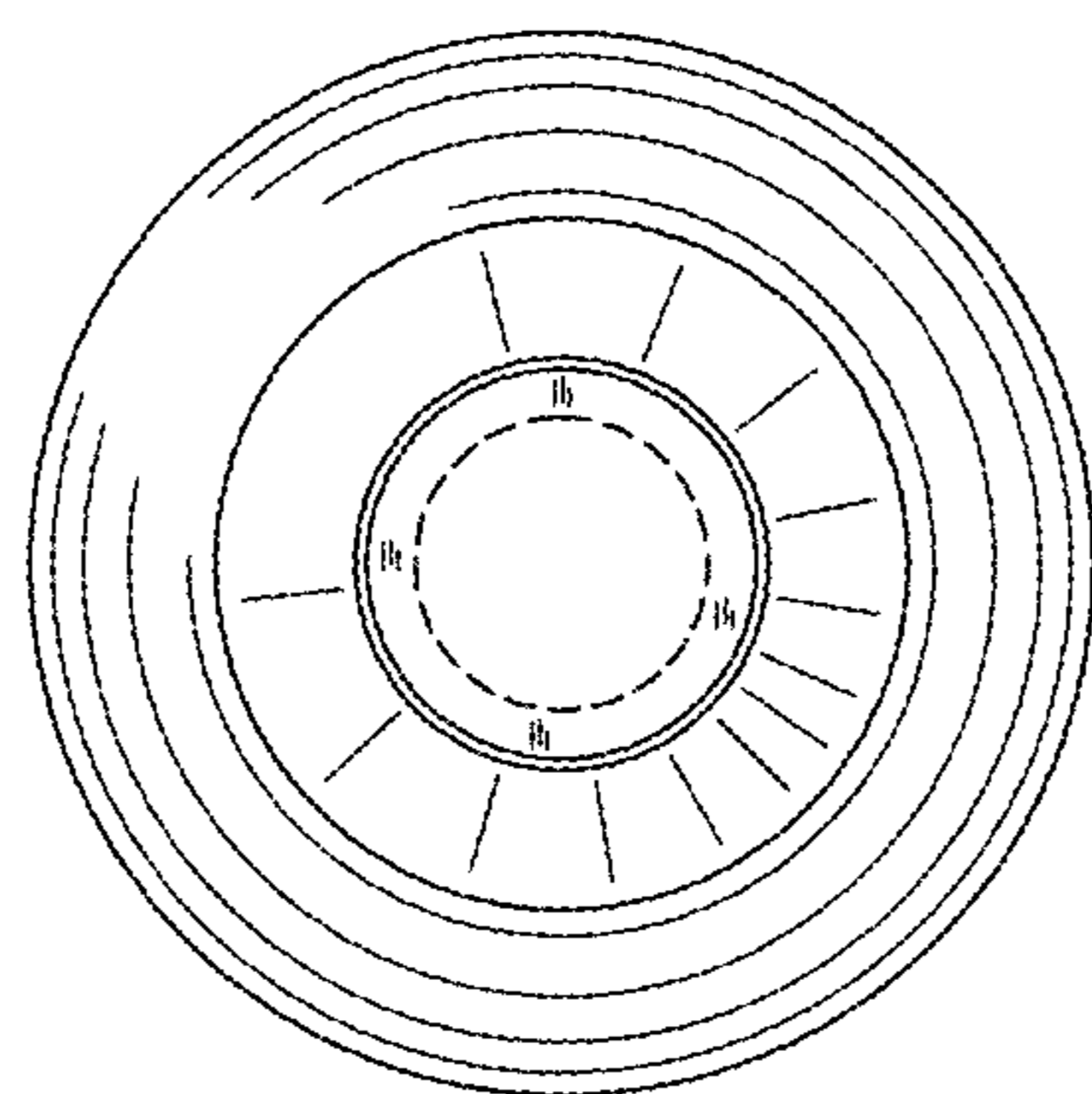
*Fig. 1*



*Fig. 2*



*Fig. 3*



*Fig. 4*