



US00D694932S

(12) **United States Design Patent**
Meyer et al.

(10) **Patent No.:** **US D694,932 S**

(45) **Date of Patent:** **** Dec. 3, 2013**

(54) **LIGHT**

(71) Applicant: **Target Brands, Inc.**, Minneapolis, MN (US)

(72) Inventors: **Scott A. Meyer**, Waconia, MN (US);
Kevin L. Robledo, Minneapolis, MN (US); **Samuel D. Silva**, Robbinsdale, MN (US); **Chad M. Bogdan**, St. Paul, MN (US)

(73) Assignee: **Target Brands, Inc.**, Minneapolis, MN (US)

(**) Term: **14 Years**

(21) Appl. No.: **29/439,311**

(22) Filed: **Dec. 10, 2012**

(51) **LOC (9) Cl.** **26-05**

(52) **U.S. Cl.**
USPC **D26/67**

(58) **Field of Classification Search**
USPC D26/40, 67-70, 72, 85, 104, 118, 128,
D26/134, 135; 362/153.1, 183, 414, 431,
362/432
See application file for complete search history.

(56) **References Cited**

U.S. PATENT DOCUMENTS

D202,808 S *	11/1965	Dailey	D26/67
D309,954 S	8/1990	Chien		
D320,092 S *	9/1991	Liu	D26/68
D333,189 S *	2/1993	Hall et al.	D26/67
D427,352 S *	6/2000	Miranda	D26/72
D445,937 S	7/2001	Sanoner		
D469,559 S *	1/2003	Chang	D26/67
D490,556 S *	5/2004	Cheong et al.	D26/67
D518,589 S	4/2006	Harbaugh		

D527,840 S *	9/2006	Sooferian	D26/68
D553,285 S *	10/2007	Curtin	D26/67
D563,015 S	2/2008	Lee et al.		
D580,581 S *	11/2008	Grant	D26/68
D604,439 S *	11/2009	Chen	D26/67
D604,440 S *	11/2009	Chen	D26/67
D629,950 S *	12/2010	Izardel	D26/67
D630,362 S *	1/2011	Sooferian	D26/68

OTHER PUBLICATIONS

Solar Lights Plus More, "Stainless Steel Square Lantern Solar Lights," 1 page, http://www.solarlightsplusmore.com/store-products-ST360---GSL-Stainless-Steel-Square-Lantern-Solar-Lights_1097465453.html, at least as early as Aug. 2012.

Hardware and Tools.com, "Lumisol Electrical PL-1094-4PK Four Seasons Fs 4Pk Solar Path Light," 1 page, <http://www.hardwareandtools.com/Lumisol-Electrical-PL-1094-4PK-Four-Seasons-Fs-4Pk-Solar-Path-Light-u141561.html>, at least as early as Aug. 2012.

(Continued)

Primary Examiner — Clare E Heflin

(74) Attorney, Agent, or Firm — Leanne Taveggia Farrell; Westman, Champlin & Koehler, P.A.

(57) **CLAIM**

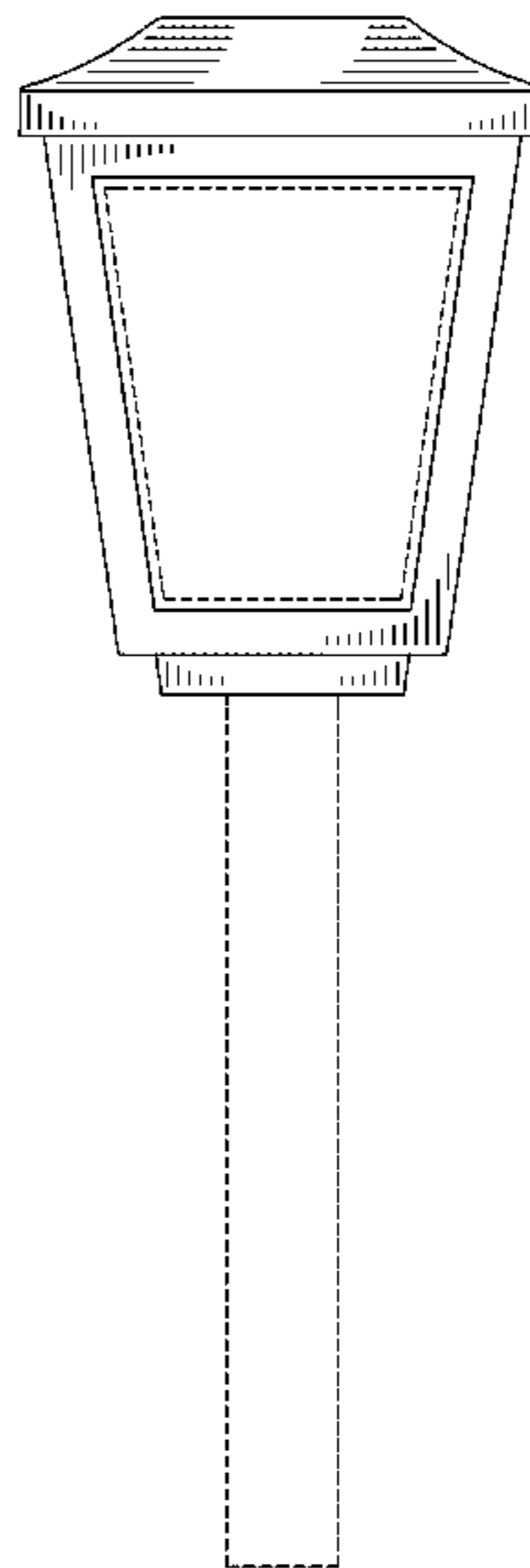
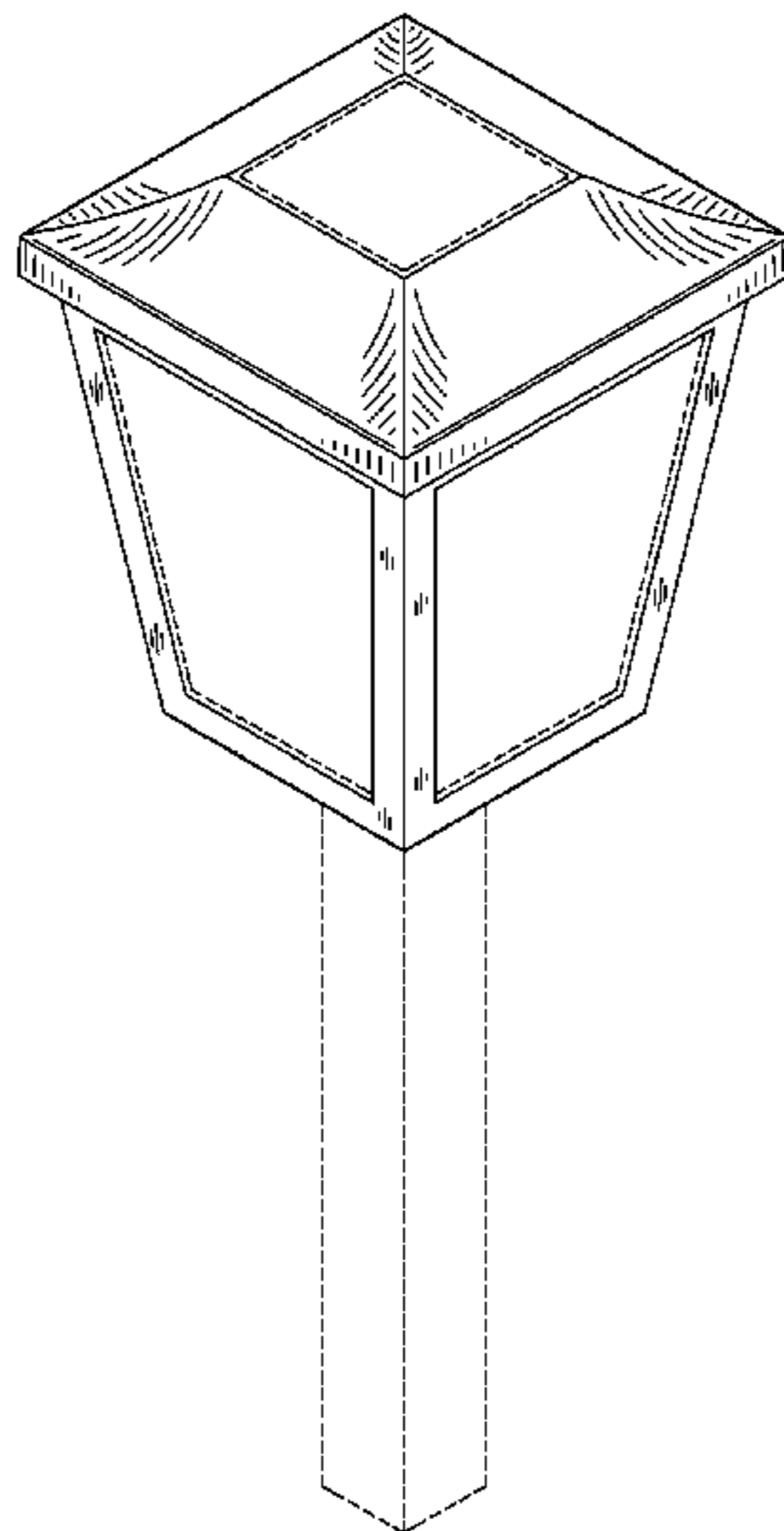
The ornamental design for a light, as shown and described.

DESCRIPTION

FIG. 1 is a perspective view of a light;
FIG. 2 is a side view thereof, the opposing side, the front and the rear being identical;
FIG. 3 is a top view thereof; and,
FIG. 4 is a bottom view thereof.

The broken lines shown in the drawings are included for purposes of illustrating portions of the light and form no part of the claimed design.

1 Claim, 3 Drawing Sheets



(56)

References Cited

OTHER PUBLICATIONS

Target, “Smith & Hawken® Square Metal Pathway Light—Brown,” 1 page, http://www.target.com/p/smith-hawken-square-metal-pathway-light-brown/-/A-13804486?reco=Rec|pdp|13804486|ClickCPlitem_page.adjacency&Ink=Rec|pdp|ClickCPlitem_page.adjacency, at least as early as Aug. 2012.

Target, “Smith & Hawken® 2 Pack Parkway Solar Pathway Lights—Oil Rubbed Bronze,” 1 page, http://www.target.com/p/smith-hawken-2-pack-parkway-solar-pathway-lights-oil-rubbed-bronze/-/A-12902911?reco=Rec|pdp|12902911|ClickCPlitem_page.adjacency&Ink=Rec|pdp|ClickCPlitem_page.adjacency, at least as early as Aug. 2012.

* cited by examiner

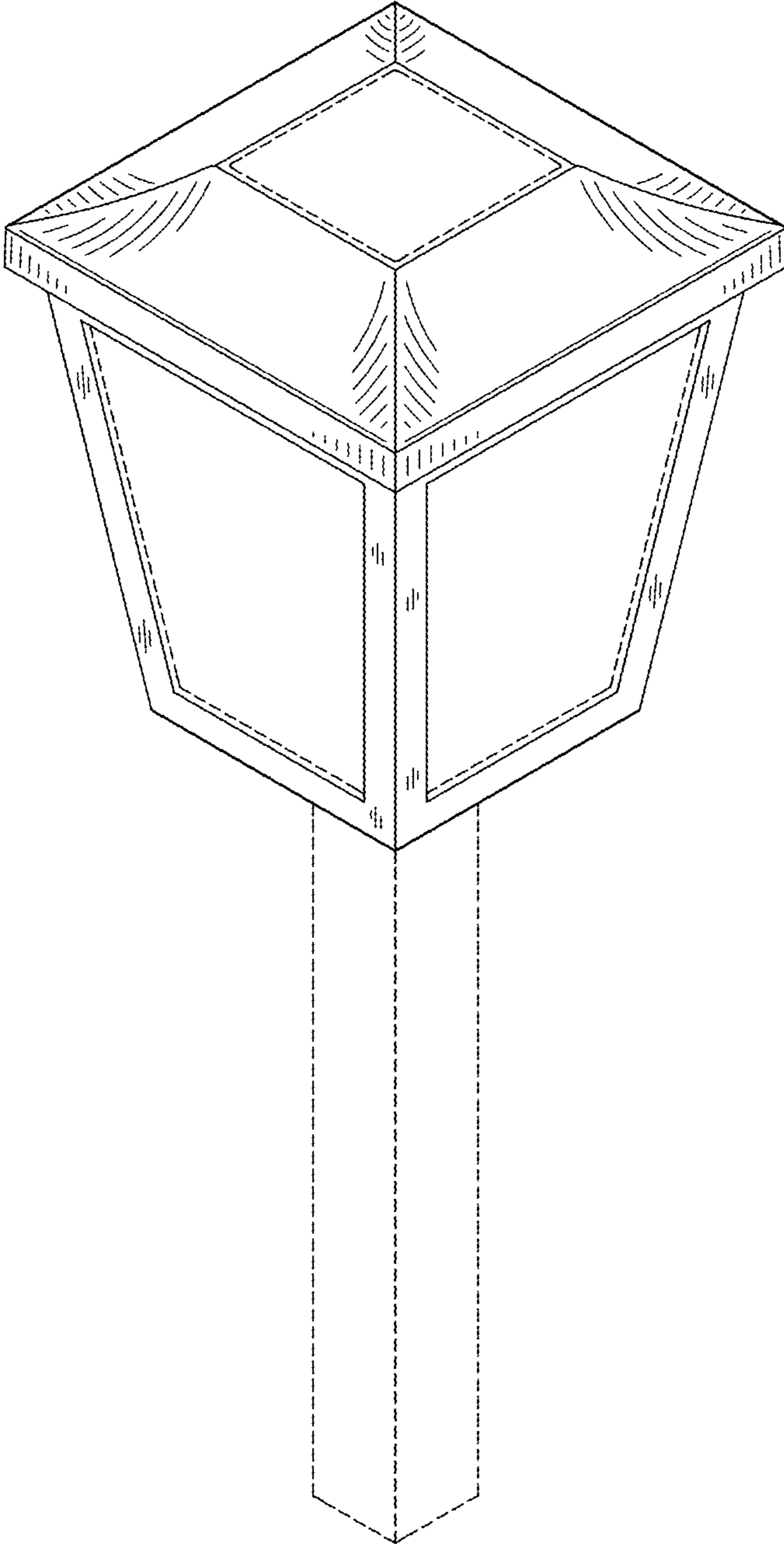


Fig. 1

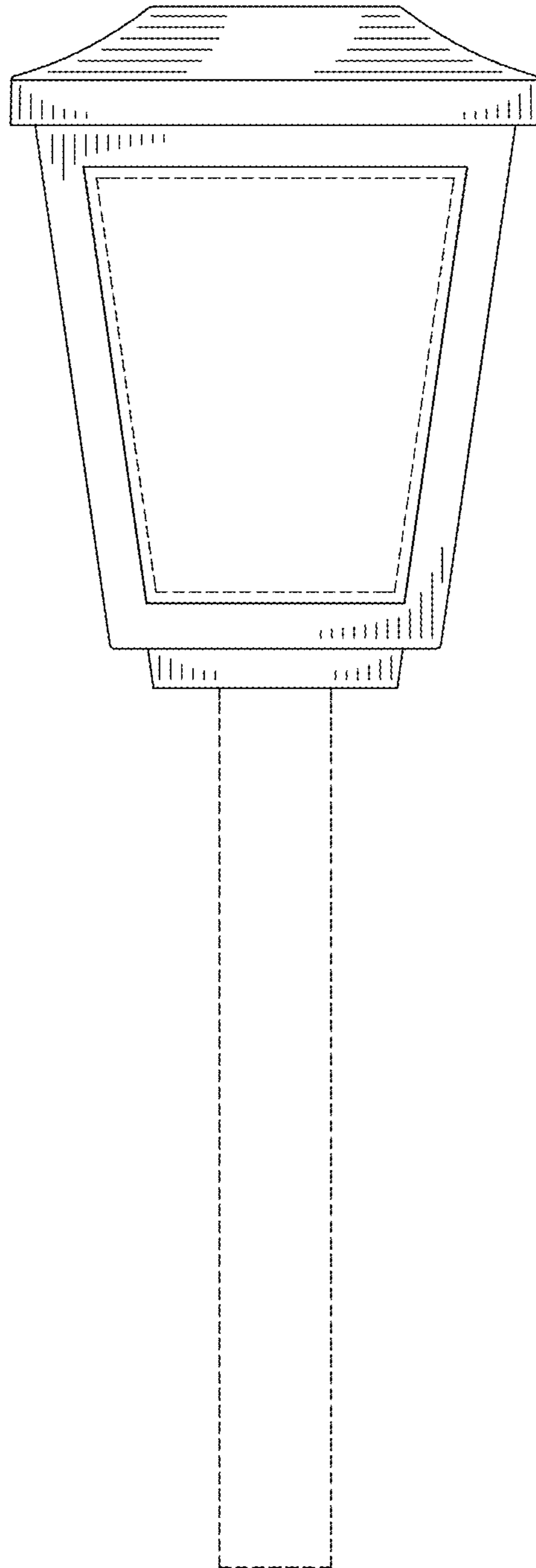


Fig. 2

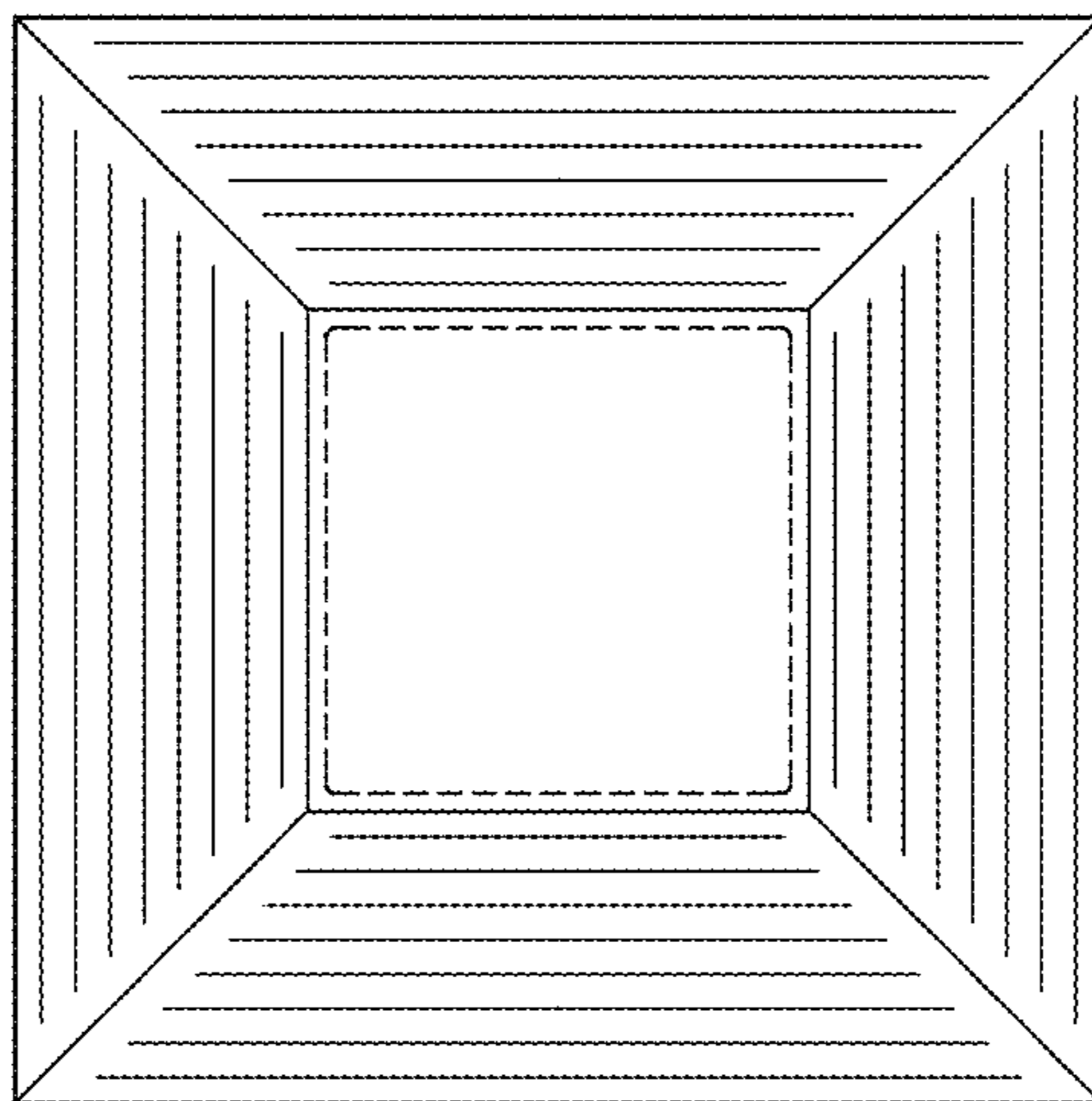


Fig. 3

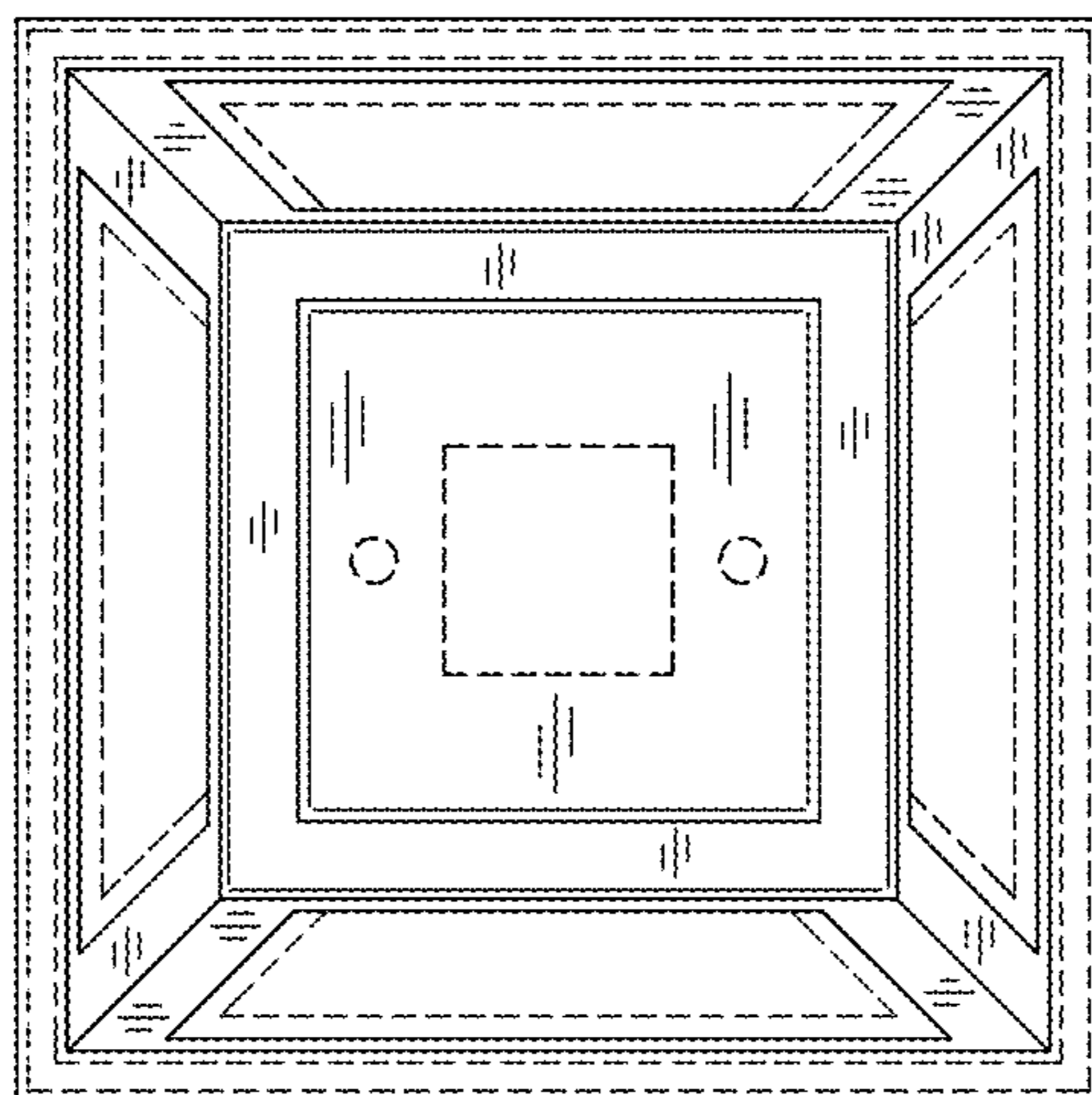


Fig. 4