



US00D694929S

(12) **United States Design Patent**
Sonneman

(10) **Patent No.:** **US D694,929 S**

(45) **Date of Patent:** **** Dec. 3, 2013**

(54) **DESK LAMP**

(76) Inventor: **Robert A. Sonneman**, Mamaroneck, NY
(US)

(**) Term: **14 Years**

(21) Appl. No.: **29/418,206**

(22) Filed: **Apr. 13, 2012**

(51) **LOC (9) Cl.** **26-05**

(52) **U.S. Cl.**
USPC **D26/65**

(58) **Field of Classification Search**
USPC D26/60-66, 93, 106-109; 362/157,
362/171-174, 401, 800, 806, 175-178, 198,
362/289, 311.02, 410-418, 270-288, 427,
362/449, 190

See application file for complete search history.

(56) **References Cited**

U.S. PATENT DOCUMENTS

- D441,476 S * 5/2001 Mendelsohn et al. D26/63
- D467,378 S * 12/2002 Wang D26/65
- D500,156 S * 12/2004 Kao D26/61

- D527,132 S * 8/2006 Citterio D26/65
- D579,597 S * 10/2008 Ng D26/61
- D623,332 S * 9/2010 Huang D26/65
- D624,226 S * 9/2010 Huang D26/65
- D628,729 S * 12/2010 Citterio D26/65
- D667,982 S * 9/2012 Meda et al. D26/65

* cited by examiner

Primary Examiner — Brian N Vinson

(74) *Attorney, Agent, or Firm* — Gottlieb, Rackman & Reisman, P.C.

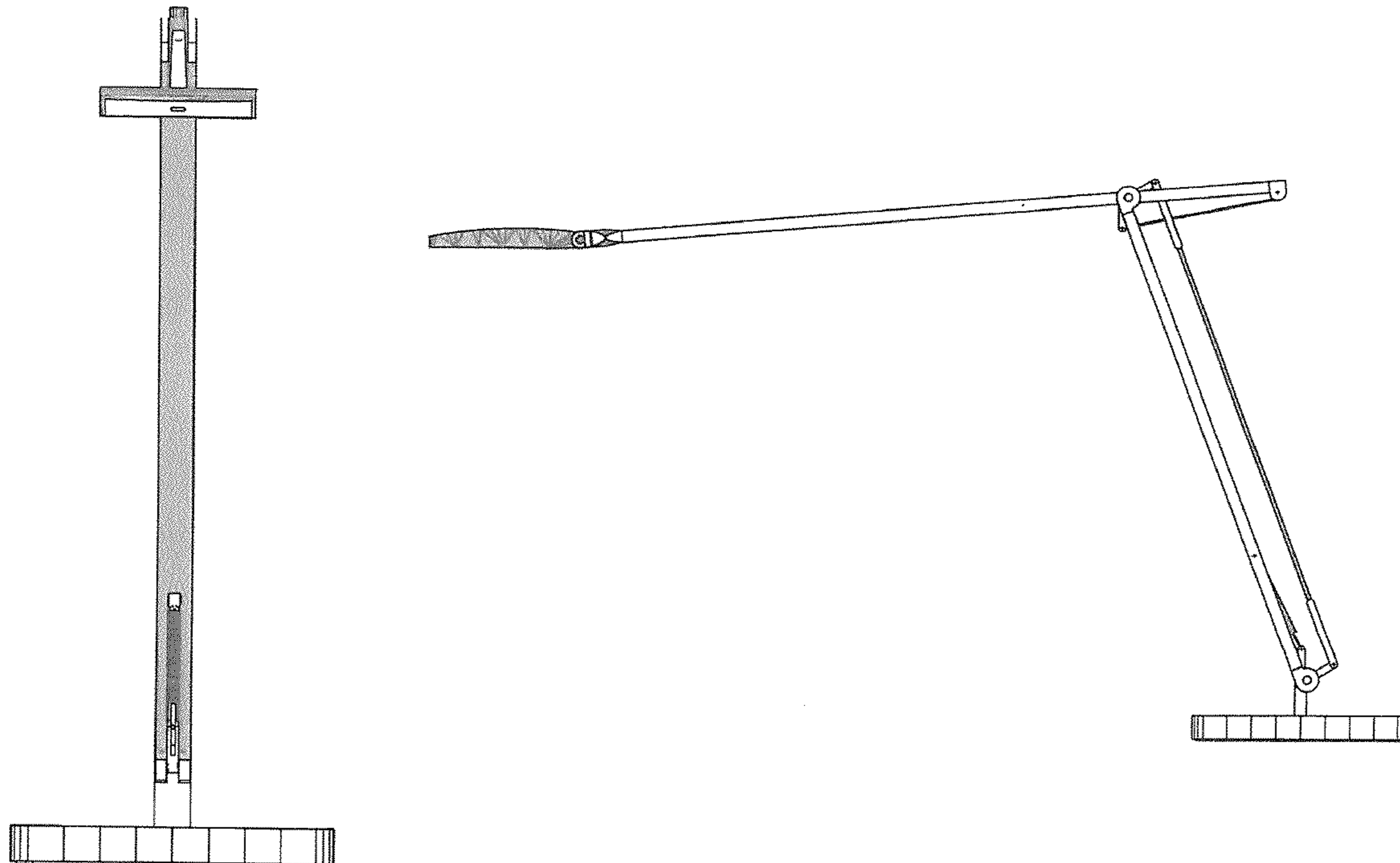
(57) **CLAIM**

The ornamental design for a desk lamp, as shown and described.

DESCRIPTION

FIG. 1 is a front elevational view thereof showing my new design;
 FIG. 2 is a right side elevational view thereof, the left side elevational view being a mirror image;
 FIG. 3 is a rear elevational view thereof;
 FIG. 4 is a top plan view thereof; and,
 FIG. 5 is a bottom plan view thereof.

1 Claim, 5 Drawing Sheets



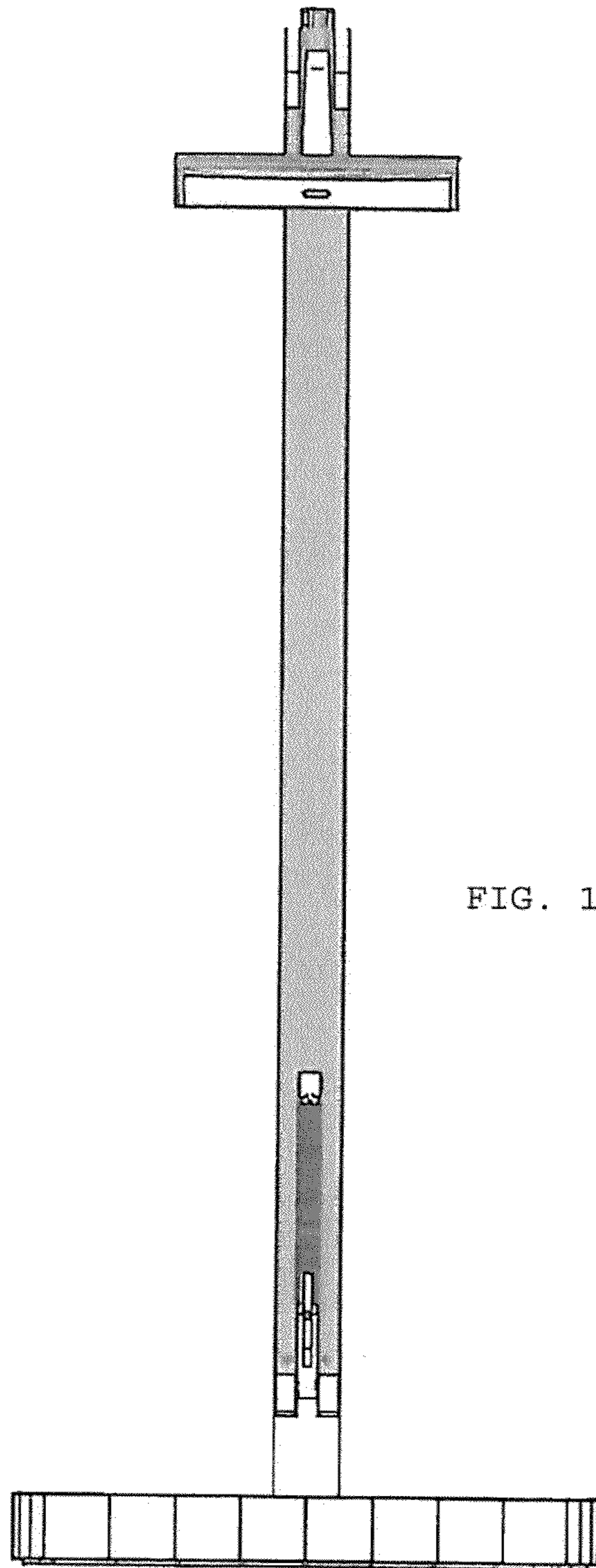


FIG. 1

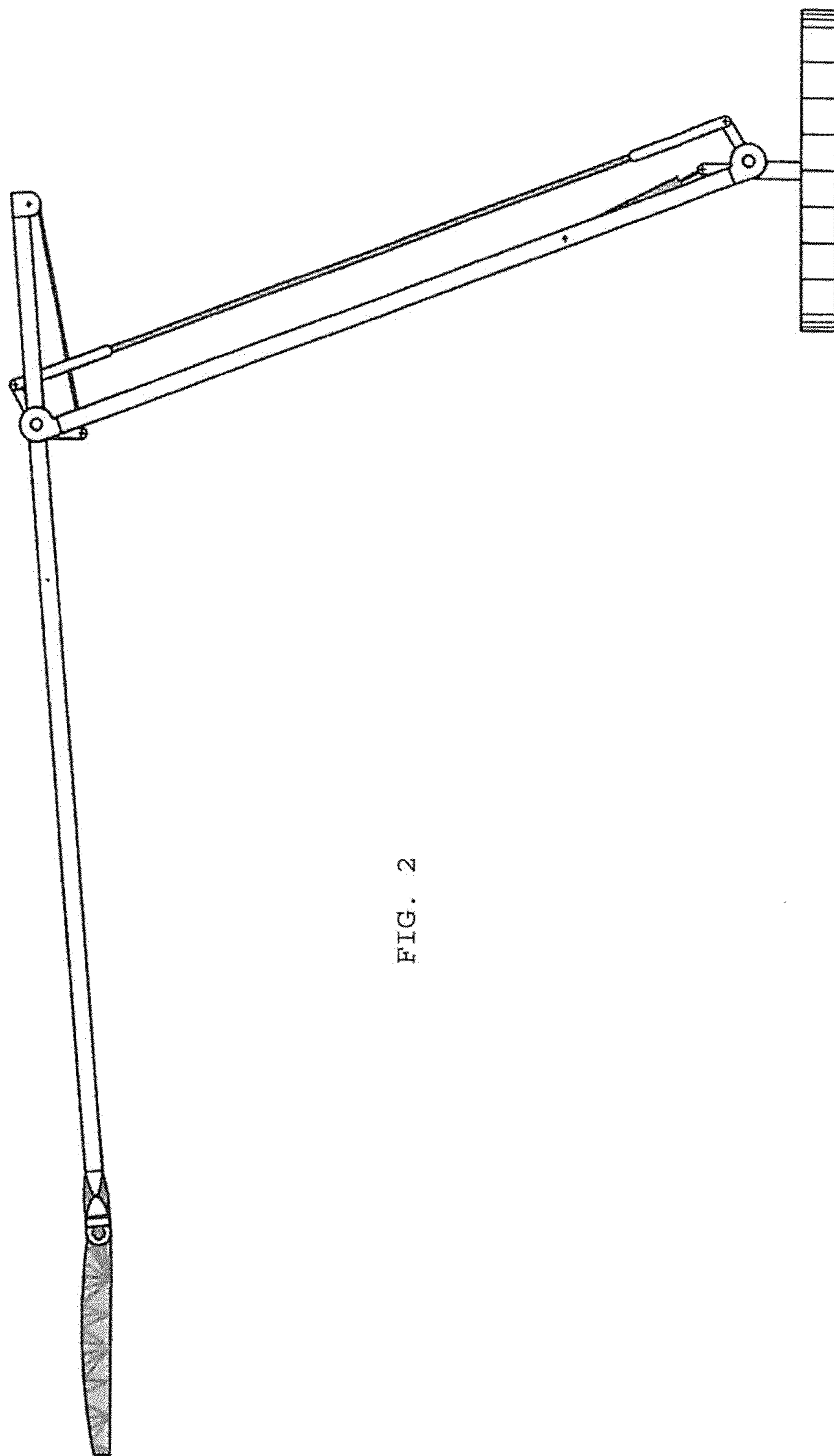


FIG. 2

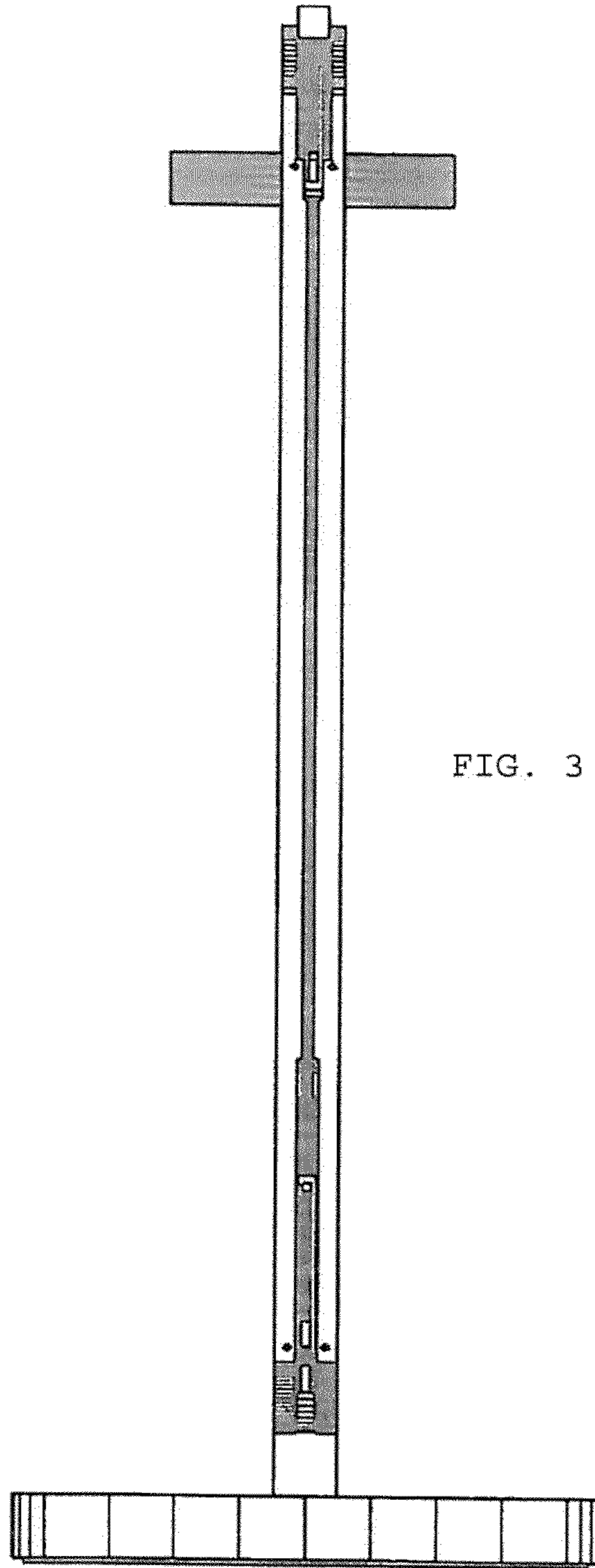


FIG. 3

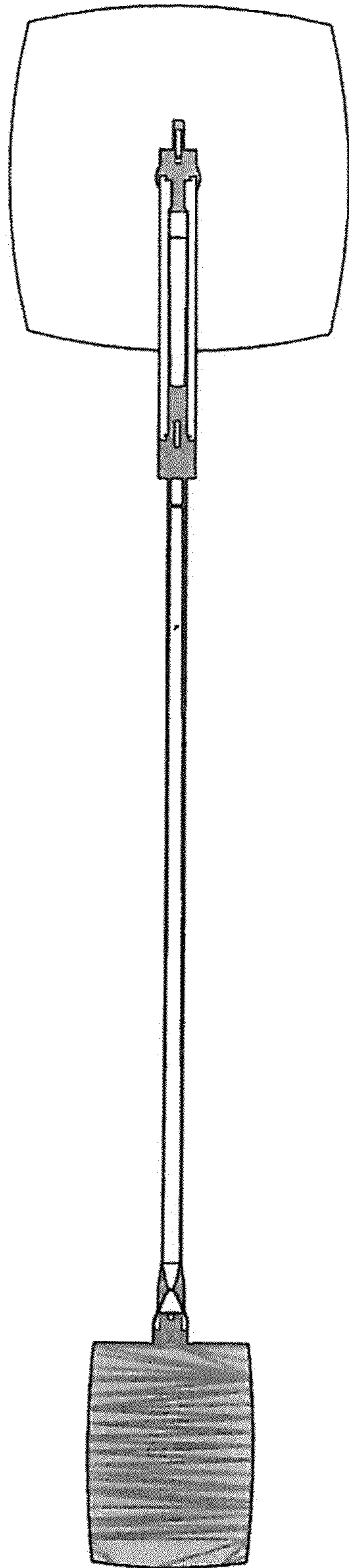


FIG. 4

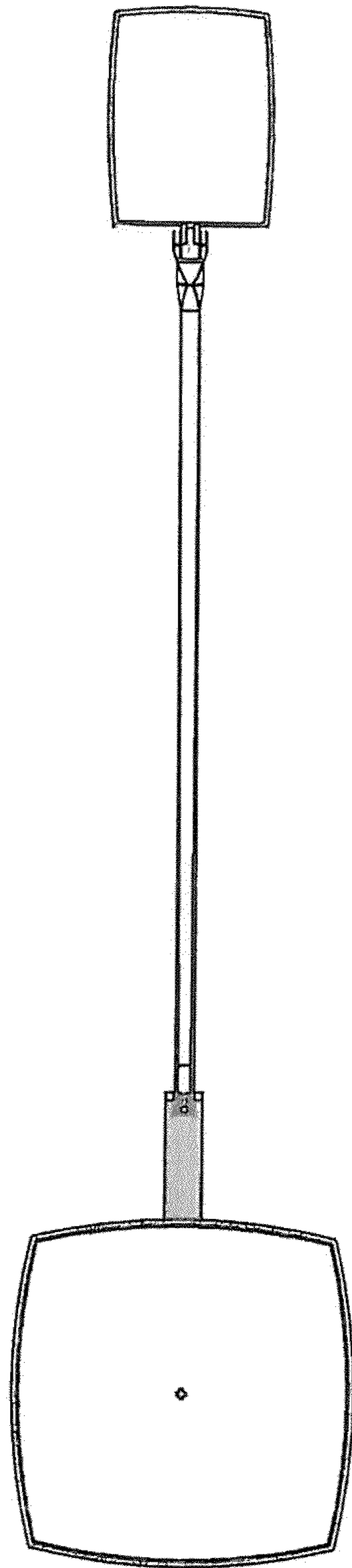


FIG. 5