

US00D694927S

(12) **United States Design Patent**
Toft

(10) **Patent No.:** **US D694,927 S**

(45) **Date of Patent:** **** Dec. 3, 2013**

(54) **HEAD PORTION OF A LIGHTING FIXTURE**

(75) **Inventor:** **Uffe Kjaergaard Toft, Hojbjerg (DK)**

(73) **Assignee:** **Martin Professional A/S, Arhus N (DK)**

(**) **Term:** **14 Years**

(21) **Appl. No.:** **29/410,723**

(22) **Filed:** **Jan. 11, 2012**

(30) **Foreign Application Priority Data**

Dec. 9, 2011 (EP) 001960287

(51) **LOC (9) Cl.** **26-05**

(52) **U.S. Cl.**
USPC **D26/63**

(58) **Field of Classification Search**
USPC D26/1, 24, 60-66, 72, 85, 92, 113,
D26/118-119; 362/89, 217.01, 220, 217.02,
362/217.1, 217.14, 217.16, 257, 268-269,
362/275, 277, 282, 285, 310, 362, 368, 370,
362/382, 404, 418, 425, 427, 432, 433, 457,
362/804

See application file for complete search history.

(56) **References Cited**

U.S. PATENT DOCUMENTS

- D120,741 S * 5/1940 Naylor D26/65
- D235,222 S * 5/1975 Larson D26/65
- D242,945 S * 1/1977 Moore D26/65
- D322,136 S 12/1991 Shima et al.
- D359,574 S * 6/1995 Bornhorst et al. D26/65
- D417,300 S 11/1999 Stacy et al.
- D439,356 S 3/2001 Martinson et al.
- D457,673 S 5/2002 Martinson et al.
- D486,259 S * 2/2004 Crawford et al. D26/51
- D492,436 S 6/2004 Smith et al.
- D496,744 S 9/2004 Smith et al.
- D552,782 S * 10/2007 Korpi D26/63

- D605,339 S 12/2009 Quadri
- D606,690 S * 12/2009 Orrom et al. D26/61
- D612,532 S 3/2010 Toft
- D614,344 S 4/2010 Toft
- D618,377 S * 6/2010 Toft D26/93
- D620,187 S * 7/2010 Quadri D26/63
- D638,573 S 5/2011 Toft

(Continued)

FOREIGN PATENT DOCUMENTS

- EP 1001212 A2 5/2000
- EP 1898145 A1 3/2008

OTHER PUBLICATIONS

Written Opinion for PCT/DK2011/050040, Mailed May 16, 2011.
International Search Report for PCT/DK2011/050040, Mailed May 16, 2011.

(Continued)

Primary Examiner — Brian N Vinson
(74) *Attorney, Agent, or Firm* — Dykema Gossett PLLC

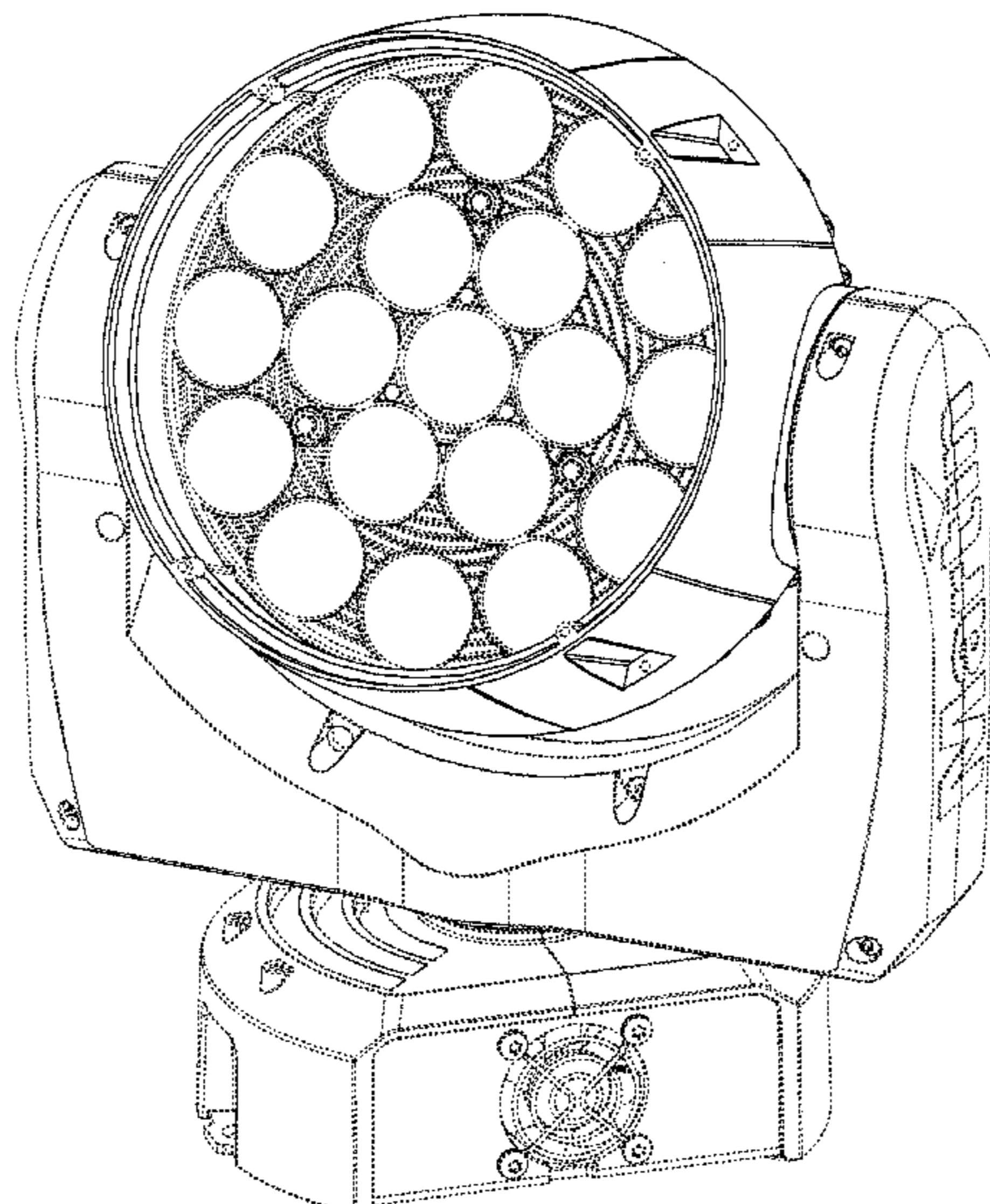
(57) **CLAIM**

The ornamental design for a head portion of a light fixture, as shown and described.

DESCRIPTION

FIG. 1 is a first perspective view of a head portion of a lighting fixture showing my new design;
FIG. 2 is a front elevational view thereof;
FIG. 3 is a rear elevational view thereof;
FIG. 4 is a left side elevational view thereof wherein the right side is a mirror image thereof;
FIG. 5 is a top plan view thereof;
FIG. 6 is a bottom plan view thereof;
FIG. 7 is a second perspective view thereof; and,
FIG. 8 is a third perspective view thereof.
The broken-line disclosure in the views is understood to represent portions of the light fixture which form no part of the claimed design.

1 Claim, 8 Drawing Sheets



(56)

References Cited

U.S. PATENT DOCUMENTS

D639,983 S * 6/2011 Quadri D26/61
D667,582 S * 9/2012 Toft D26/63
2004/0070984 A1 4/2004 Smith et al.
2009/0323364 A1 12/2009 Bornhorst et al.

OTHER PUBLICATIONS

Danish Search Report for Danish Application No. PA2010 00127,
date completed Sep. 30, 2010.
Office Action for Danish Application No. PA2010 00127, Mailed
Oct. 1, 2010.

* cited by examiner

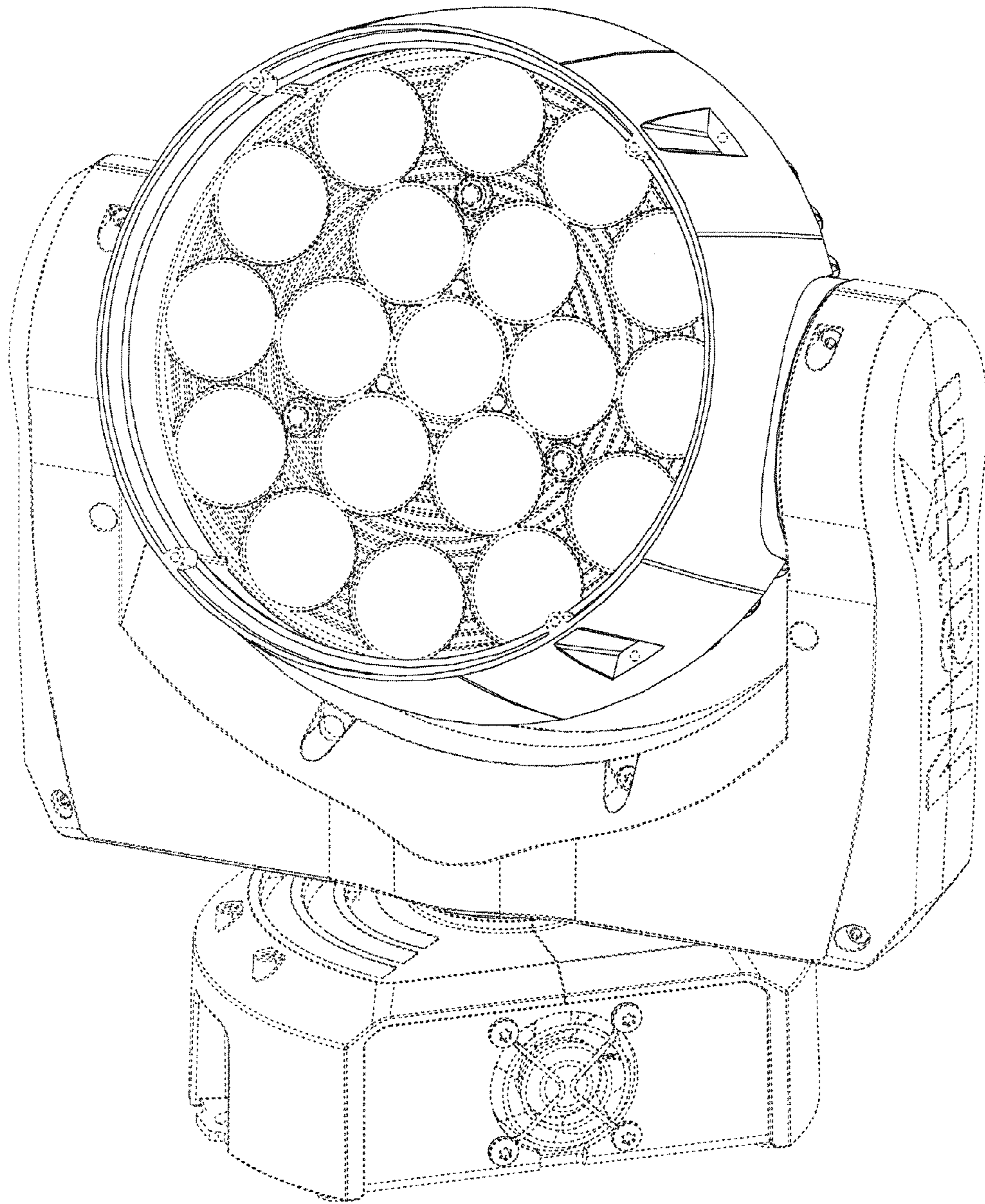


Fig. 1

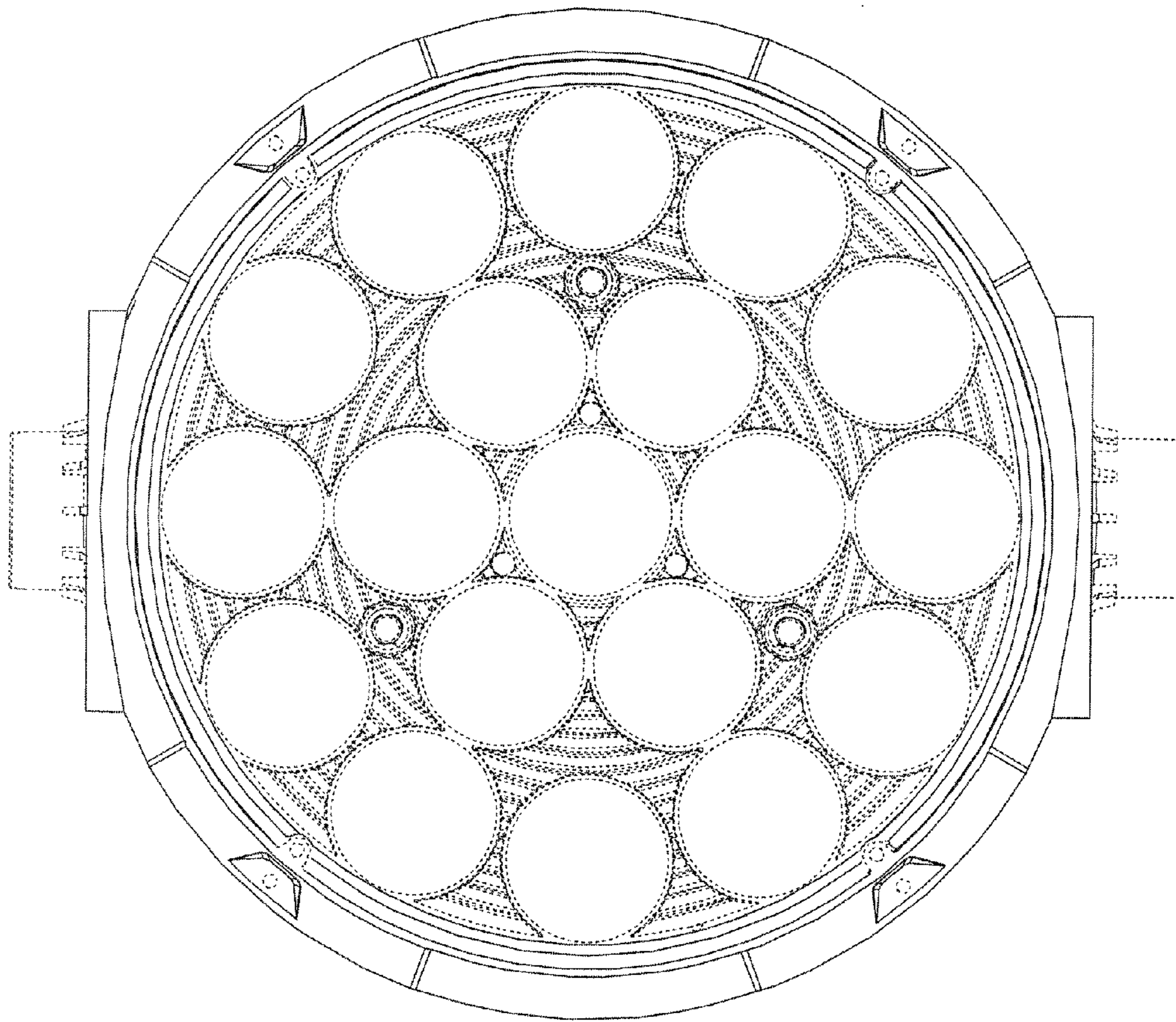


Fig. 2

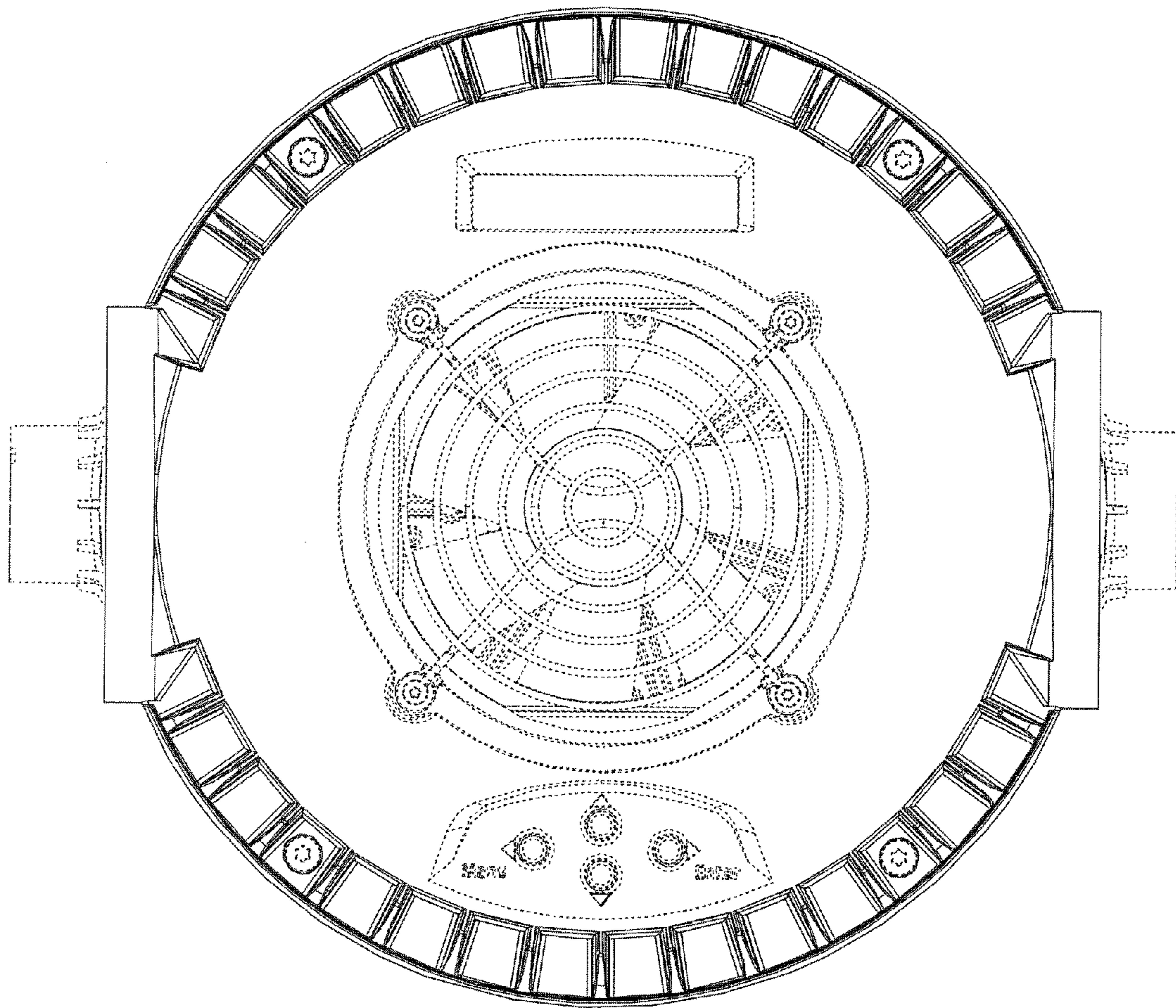


Fig. 3

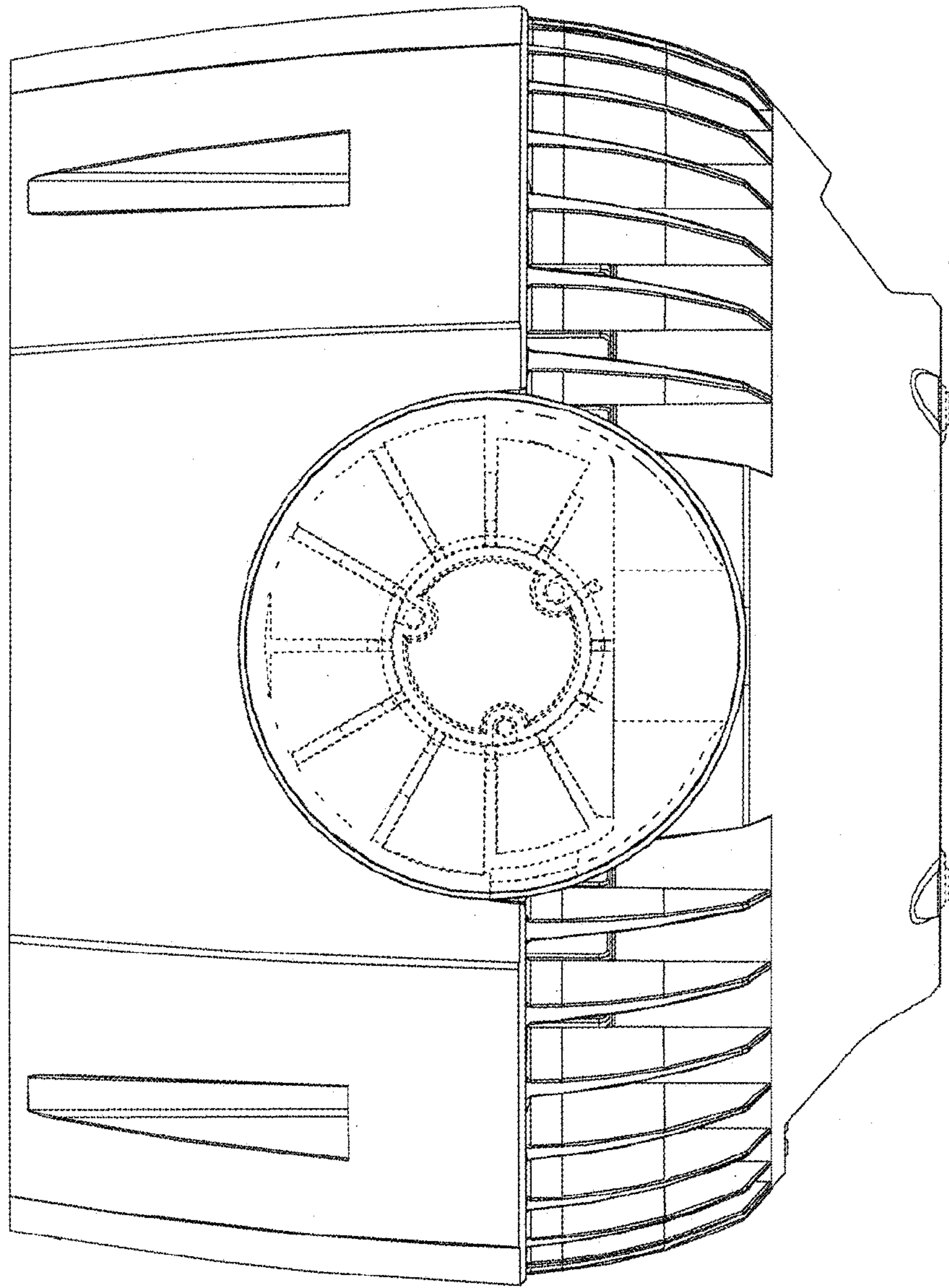


Fig. 4

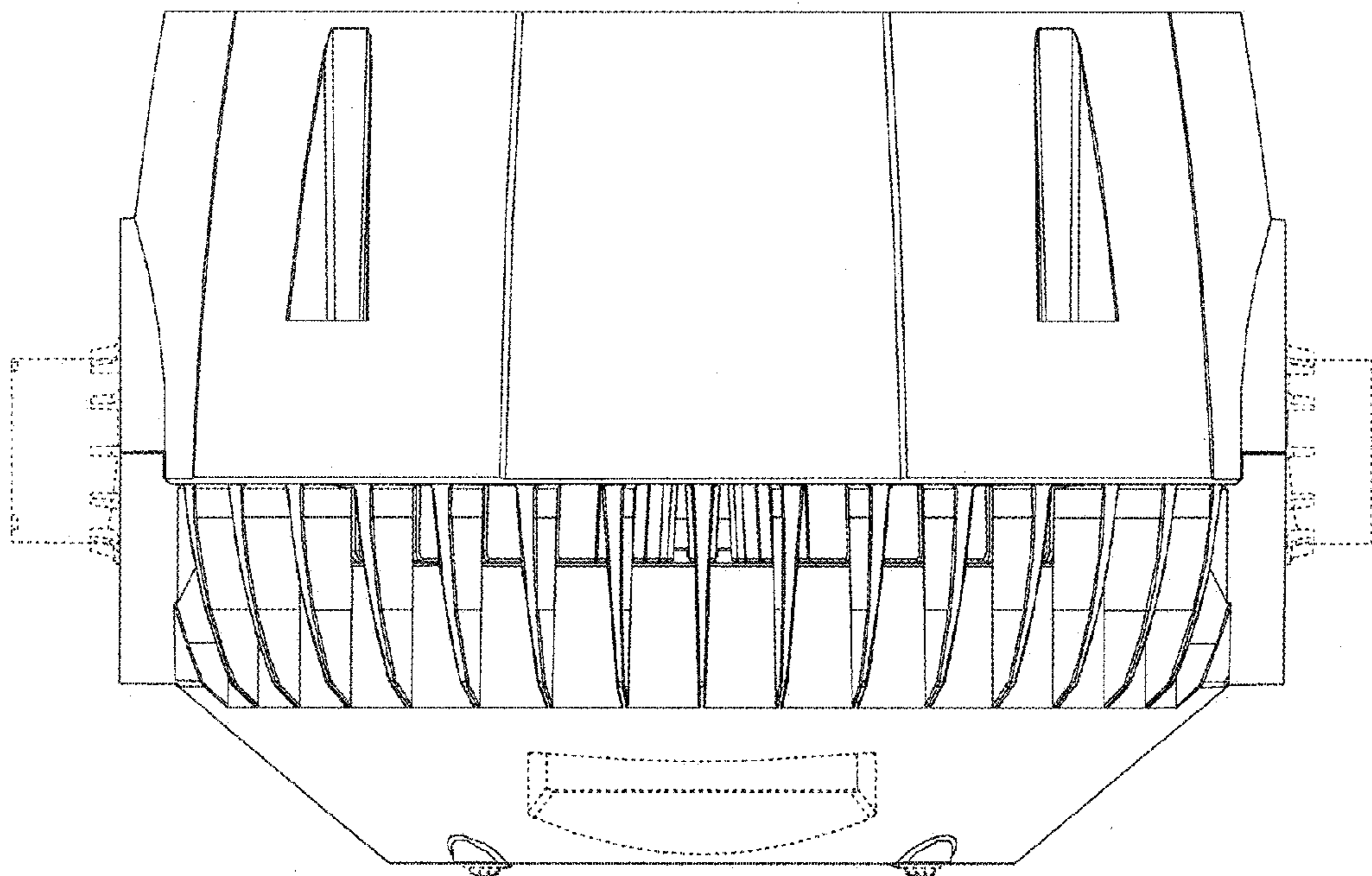


Fig. 5

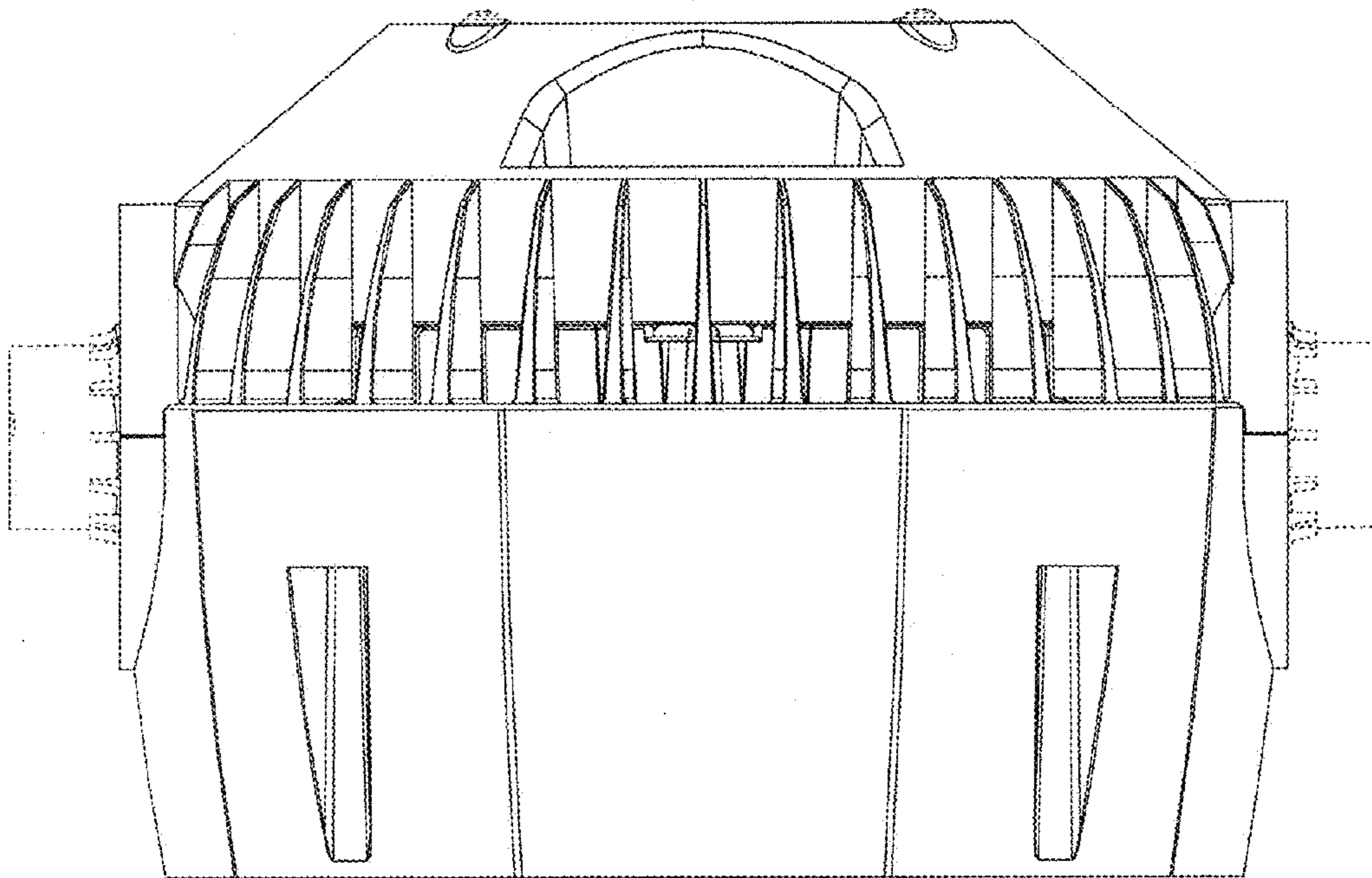


Fig. 6

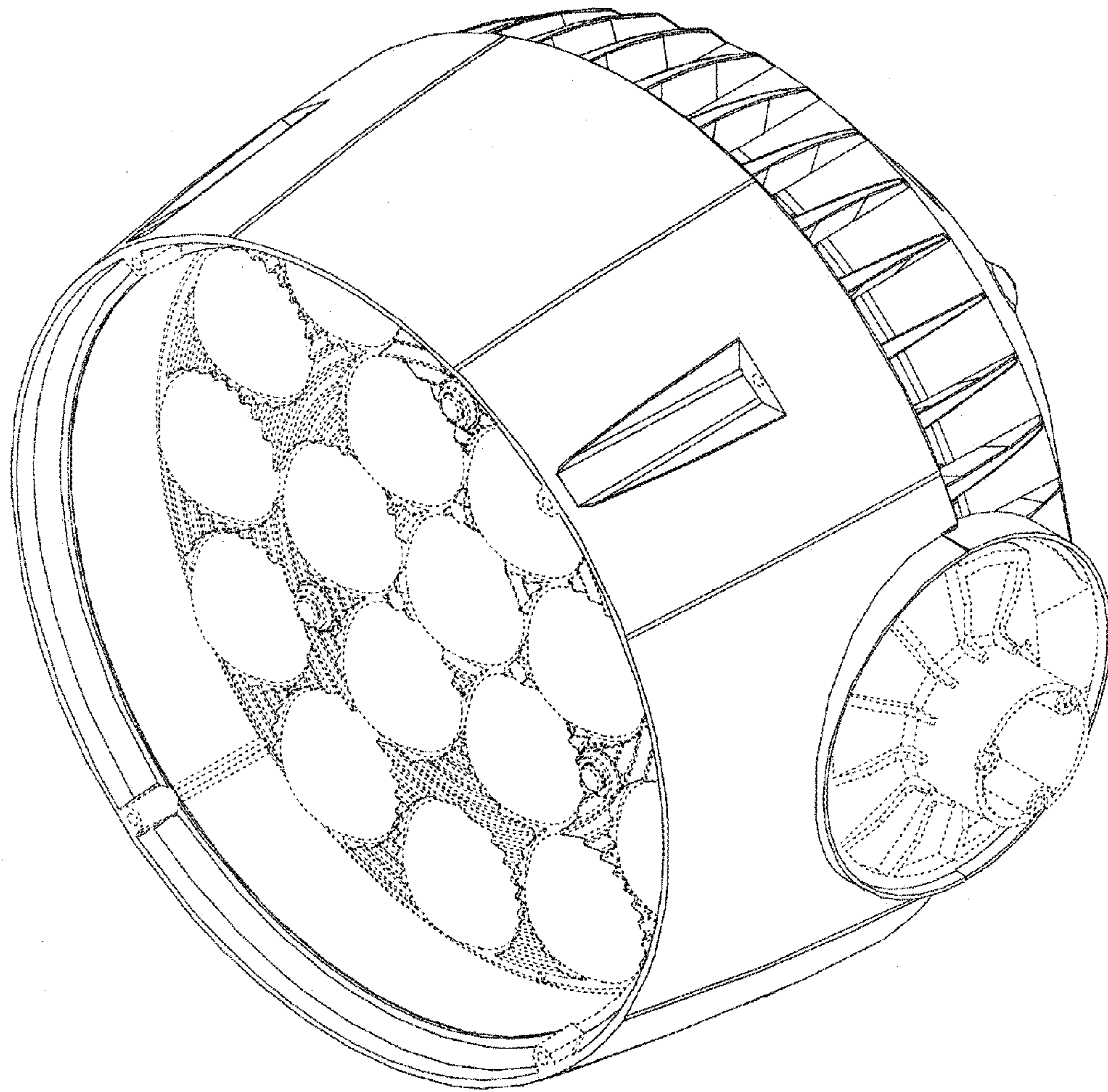


Fig. 7

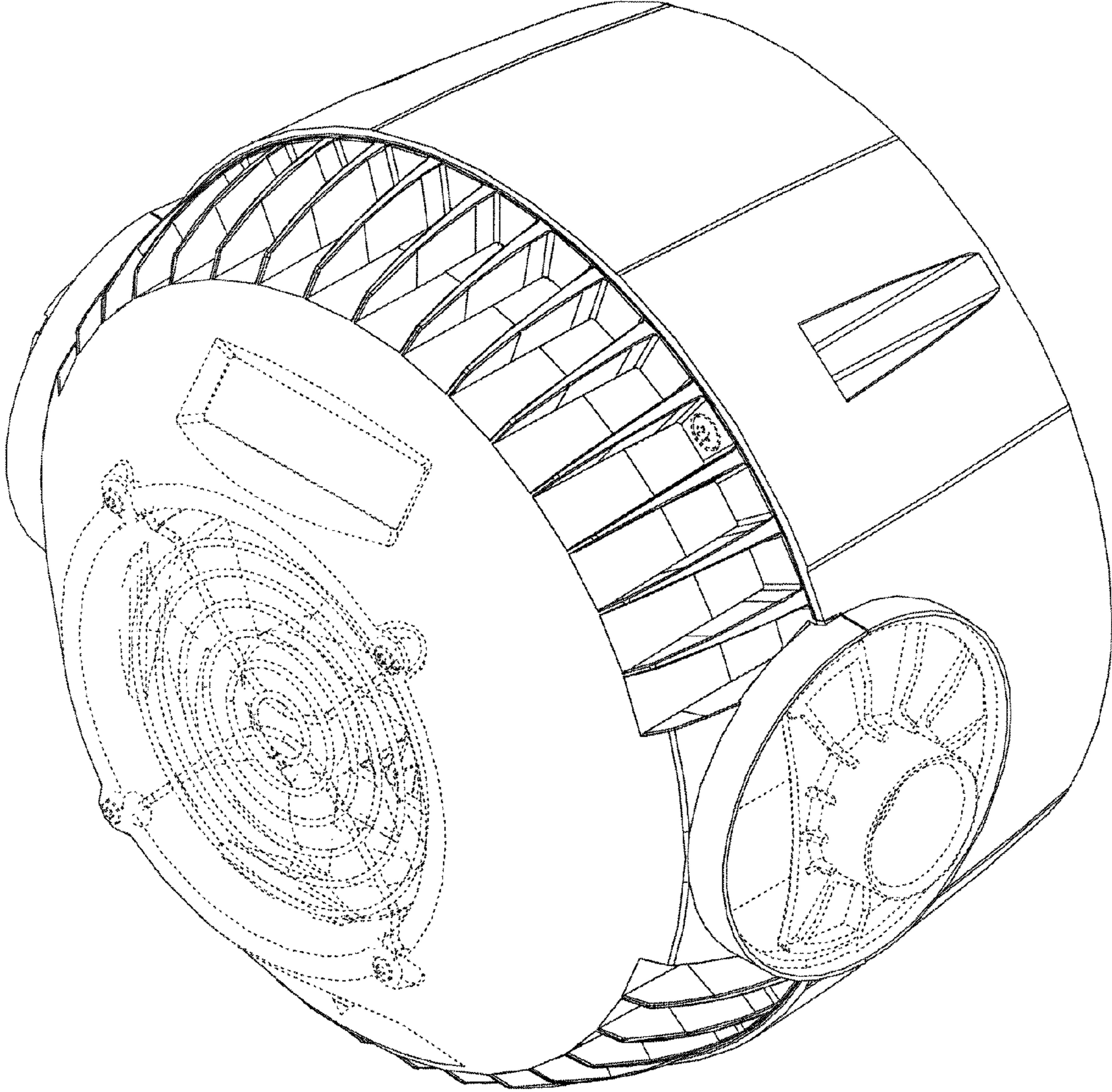


Fig. 8