



US00D694925S

(12) **United States Design Patent**
Fukasawa et al.

(10) **Patent No.:** **US D694,925 S**

(45) **Date of Patent:** **** Dec. 3, 2013**

(54) **TRACK-LIGHTING FIXTURE**

(56) **References Cited**

(75) Inventors: **Naoto Fukasawa**, Shibuya-ku (JP); **Rolf Lechtenberg**, Dortmund (DE); **Henk Kosche**, Luedenscheid (DE); **Alois Dworschak**, Luedenscheid (DE)

U.S. PATENT DOCUMENTS

D291,925 S *	9/1987	Dacanay	D26/61
D538,959 S *	3/2007	Kosche	D26/63
D552,779 S *	10/2007	Starck	D26/63
D630,360 S *	1/2011	Rashidi	D26/63
D671,252 S *	11/2012	You	D26/63

(73) Assignee: **ERCO GmbH**, Luedenscheid (DE)

* cited by examiner

(**) Term: **14 Years**

Primary Examiner — Brian N Vinson

(21) Appl. No.: **29/407,913**

(74) *Attorney, Agent, or Firm* — Andrew Wilford

(22) Filed: **Dec. 5, 2011**

(57) **CLAIM**

The ornamental design for a track-lighting fixture, as shown and described.

(30) **Foreign Application Priority Data**

DESCRIPTION

Jun. 9, 2011 (EM) 001280739

(51) **LOC (9) Cl.** **26-03**

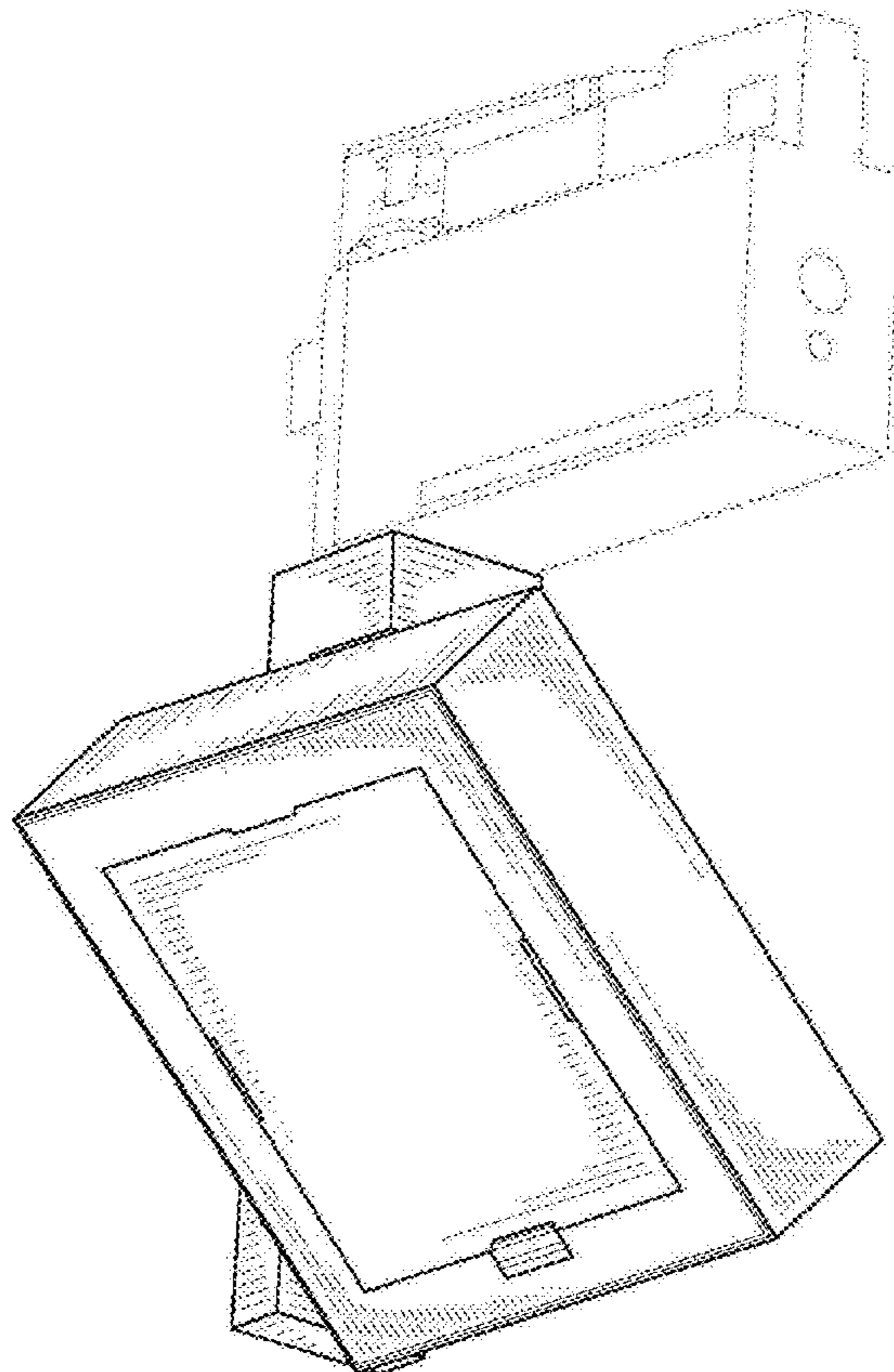
(52) **U.S. Cl.**
USPC **D26/63**

(58) **Field of Classification Search**
USPC D26/24, 60–66, 72, 85, 92, 113,
D26/118–119; 362/89, 217.01, 217.02,
362/217.1, 217.14, 217.16, 220, 257,
362/268–69, 275, 277, 282, 285, 310, 362,
362/368, 370, 382, 404, 418, 425, 427, 432,
362/457, 804, 549.04, 648

FIG. 1 is a front elevational view of a track-lighting fixture showing our new design;
FIG. 2 is a bottom, front, and right side perspective view thereof;
FIG. 3 is a rear elevational view thereof;
FIG. 4 is a bottom plan view thereof;
FIG. 5 is a right side elevational view thereof; and,
FIG. 6 is a left side elevational view thereof.
The broken-line disclosure in the views of an adaptor is for illustrative purposes only and forms no part of the claimed design.

See application file for complete search history.

1 Claim, 4 Drawing Sheets



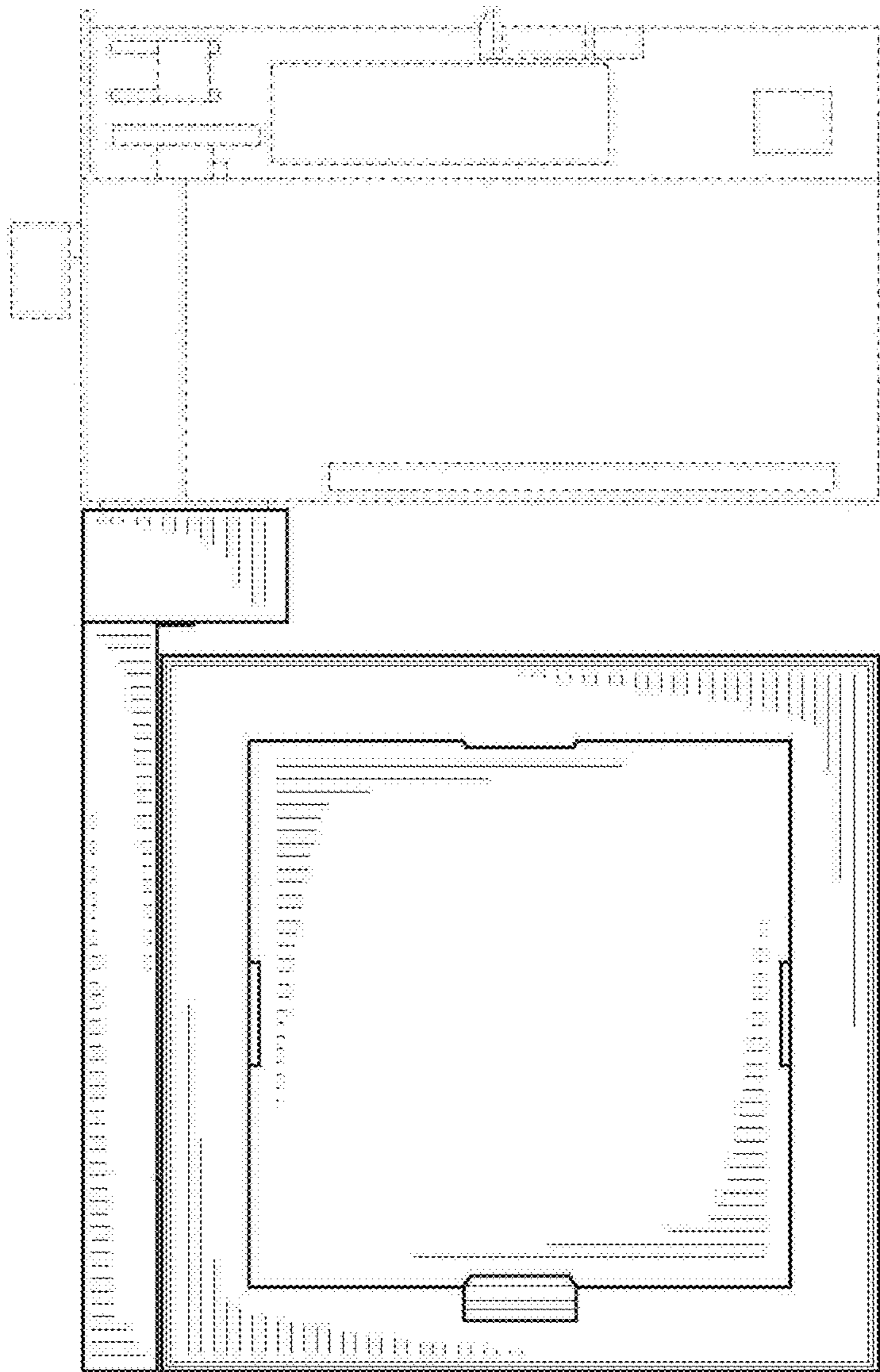


FIG. 1

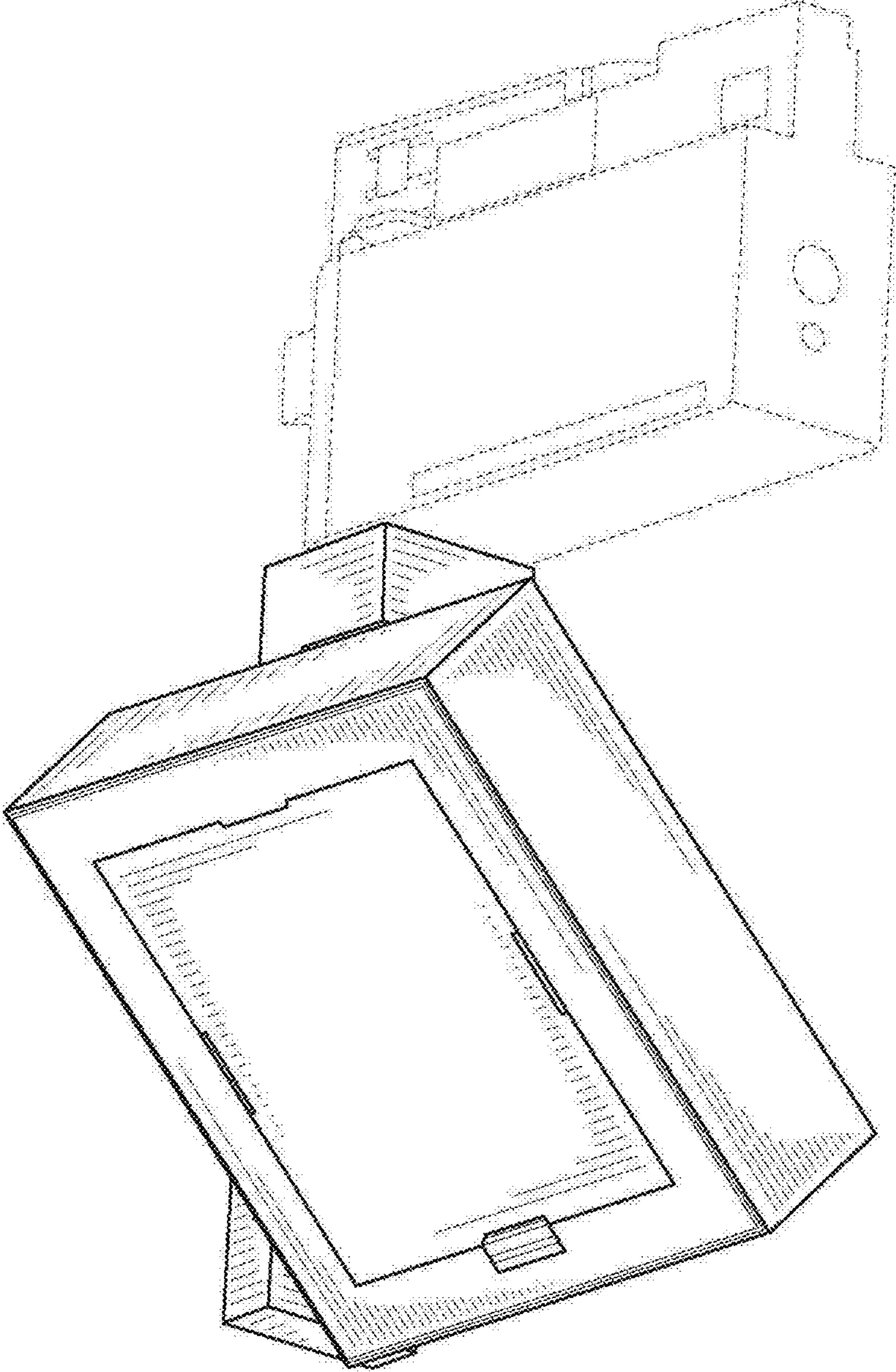


FIG. 2

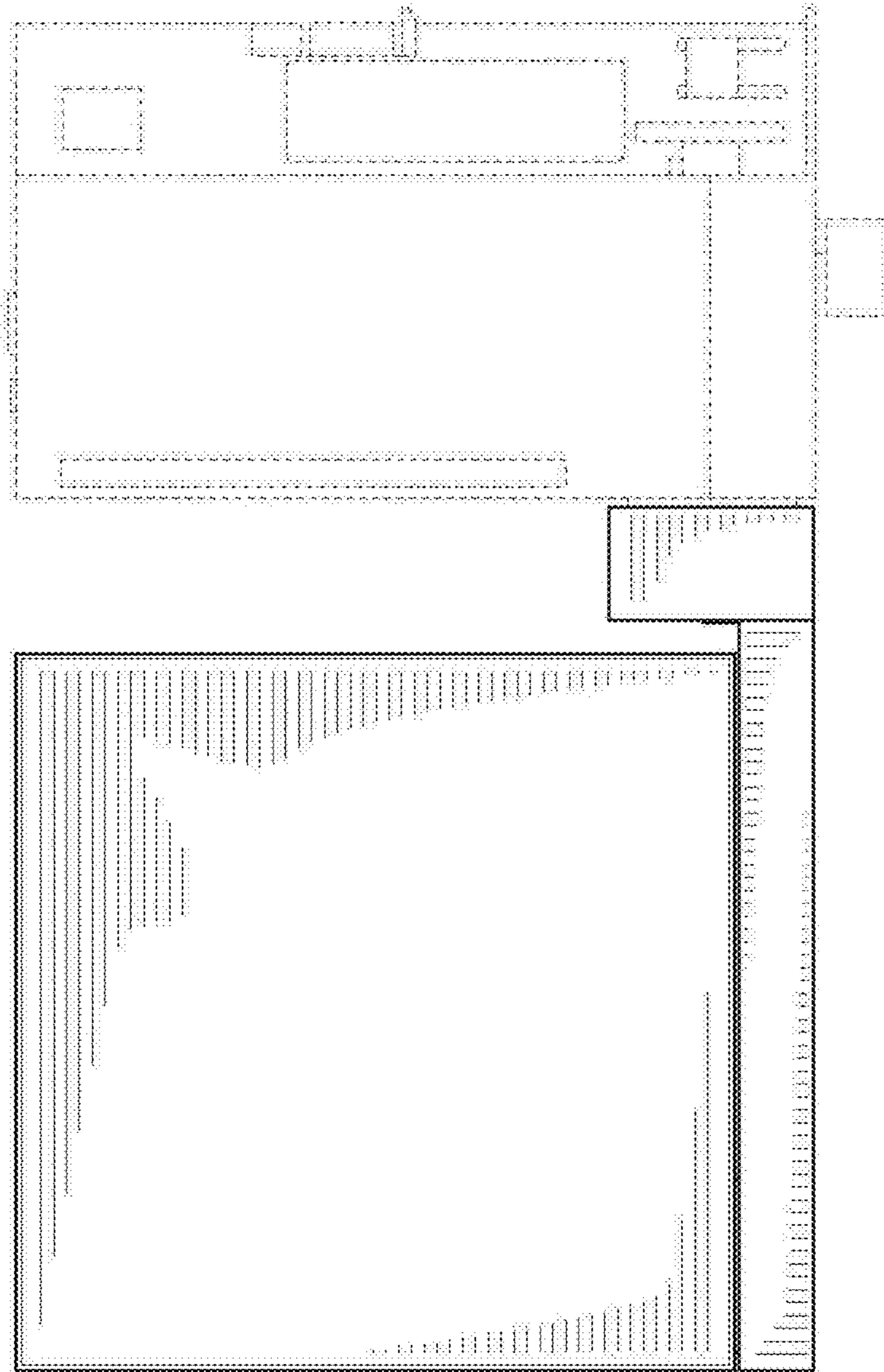


FIG. 3

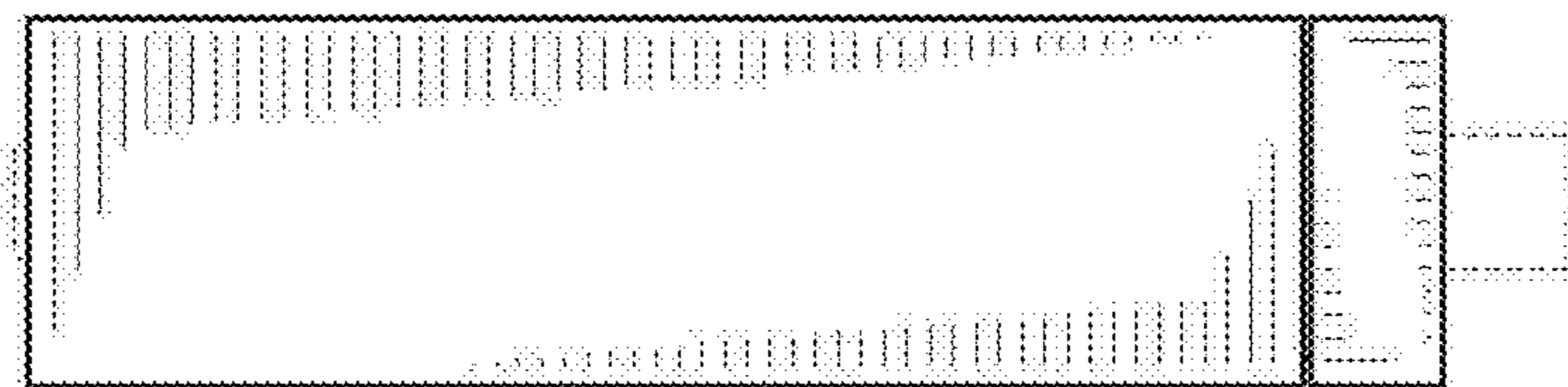


FIG. 4

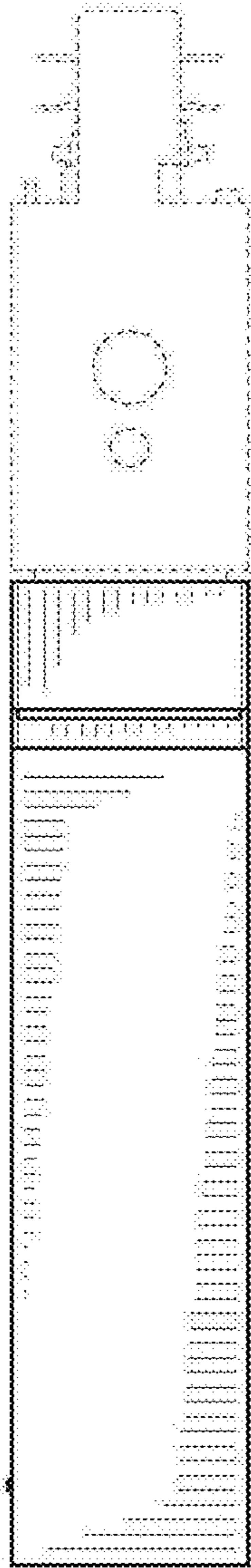


FIG. 5

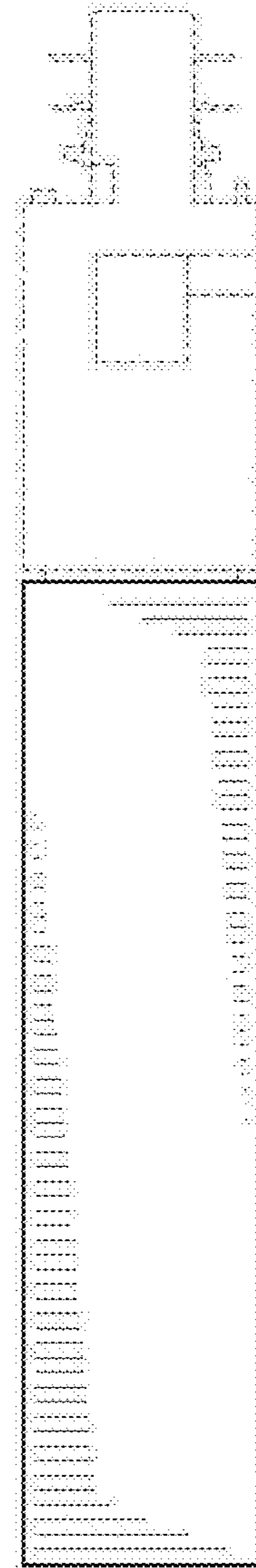


FIG. 6