



US00D694923S

(12) **United States Design Patent**
Dussault et al.

(10) **Patent No.:** **US D694,923 S**
(45) **Date of Patent:** **** Dec. 3, 2013**

(54) **LED GOBO PROJECTOR**

(56) **References Cited**

(75) Inventors: **David Dussault**, Neutraubling (DE);
Alexander Jones, Cambridge (GB)

U.S. PATENT DOCUMENTS

(73) Assignee: **OSRAM AG**, Munich (DE)

D93,934 S *	11/1934	Levy	D26/65
D316,154 S *	4/1991	Gecchelin	D26/63
D486,259 S *	2/2004	Crawford et al.	D26/51
D491,684 S *	6/2004	McInnis	D26/63
D536,121 S *	1/2007	Mier-Langner et al.	D26/63
D541,459 S *	4/2007	Benghozi	D26/63
D546,993 S *	7/2007	Layne	D26/63
D560,837 S *	1/2008	Benghozi	D26/61
D645,593 S *	9/2011	Janssen	D26/63
D662,638 S *	6/2012	Kosche et al.	D26/63

(**) Term: **14 Years**

(21) Appl. No.: **29/400,131**

(22) Filed: **Aug. 24, 2011**

* cited by examiner

(30) **Foreign Application Priority Data**

Primary Examiner — Brian N Vinson

Feb. 24, 2011 (EM) 001826066

(51) **LOC (9) Cl.** **26-03**

(57) **CLAIM**

The ornamental design for an LED gobo projector, as shown and described.

(52) **U.S. Cl.**

USPC **D26/63**

DESCRIPTION

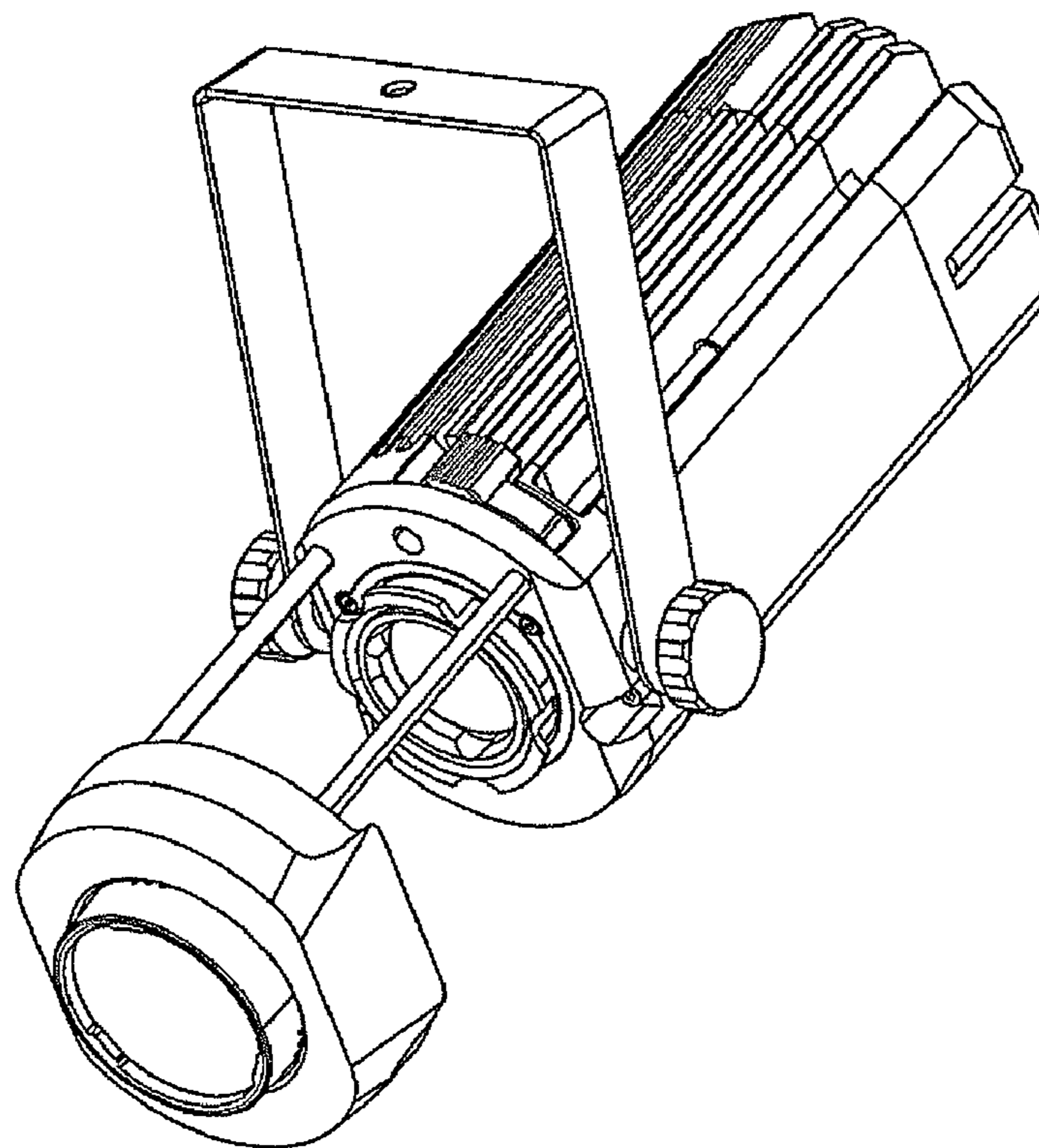
(58) **Field of Classification Search**

USPC D26/24, 60–66, 72, 85, 92, 113,
D26/118–119; 362/89, 217.01, 217.02,
362/217.1, 217.14, 217.16, 220, 257,
362/268–69, 275, 277, 282, 285, 310, 362,
362/368, 370, 382, 404, 418, 425, 427, 432,
362/457, 804, 549.04, 648

FIG. 1 is a perspective view of an LED gobo projector;
FIG. 2 is a right view of the LED gobo projector;
FIG. 3 is a left side view of the LED gobo projector;
FIG. 4 is a front view of the LED gobo projector;
FIG. 5 is a back view of the LED gobo projector;
FIG. 6 is a bottom view of the LED gobo projector; and,
FIG. 7 is a top view of the LED gobo projector.

See application file for complete search history.

1 Claim, 4 Drawing Sheets



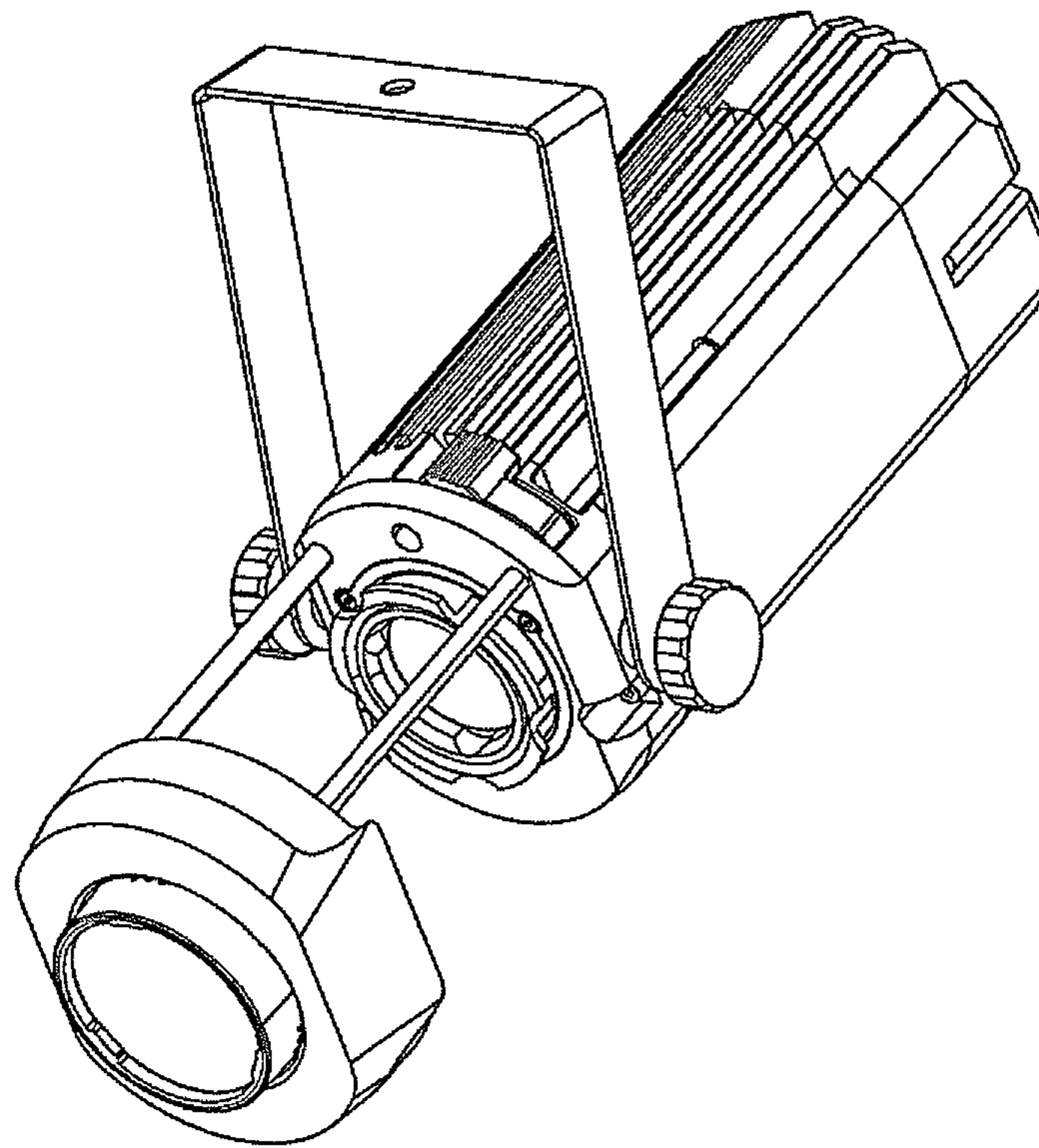


Fig. 1

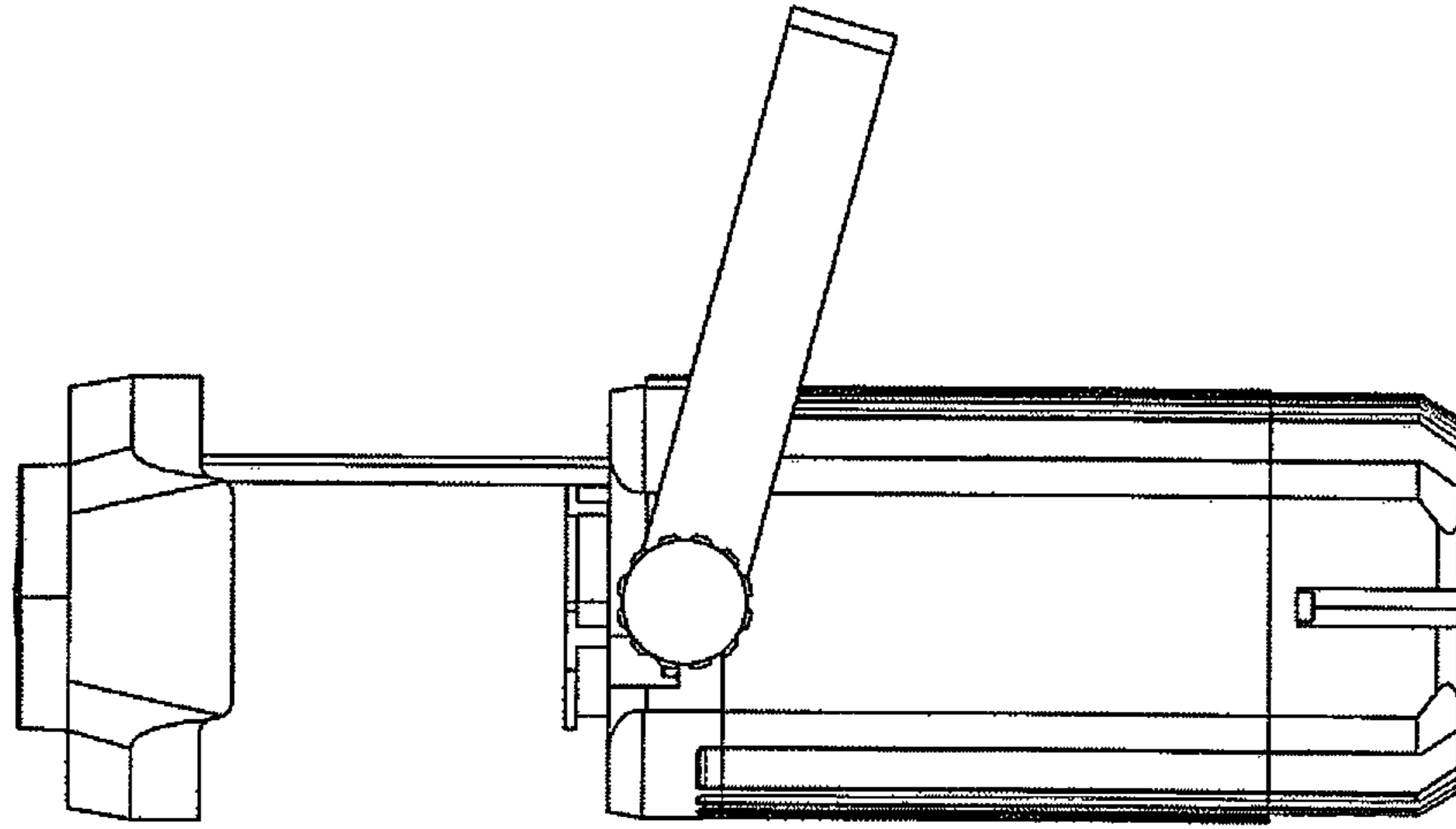


Fig. 2

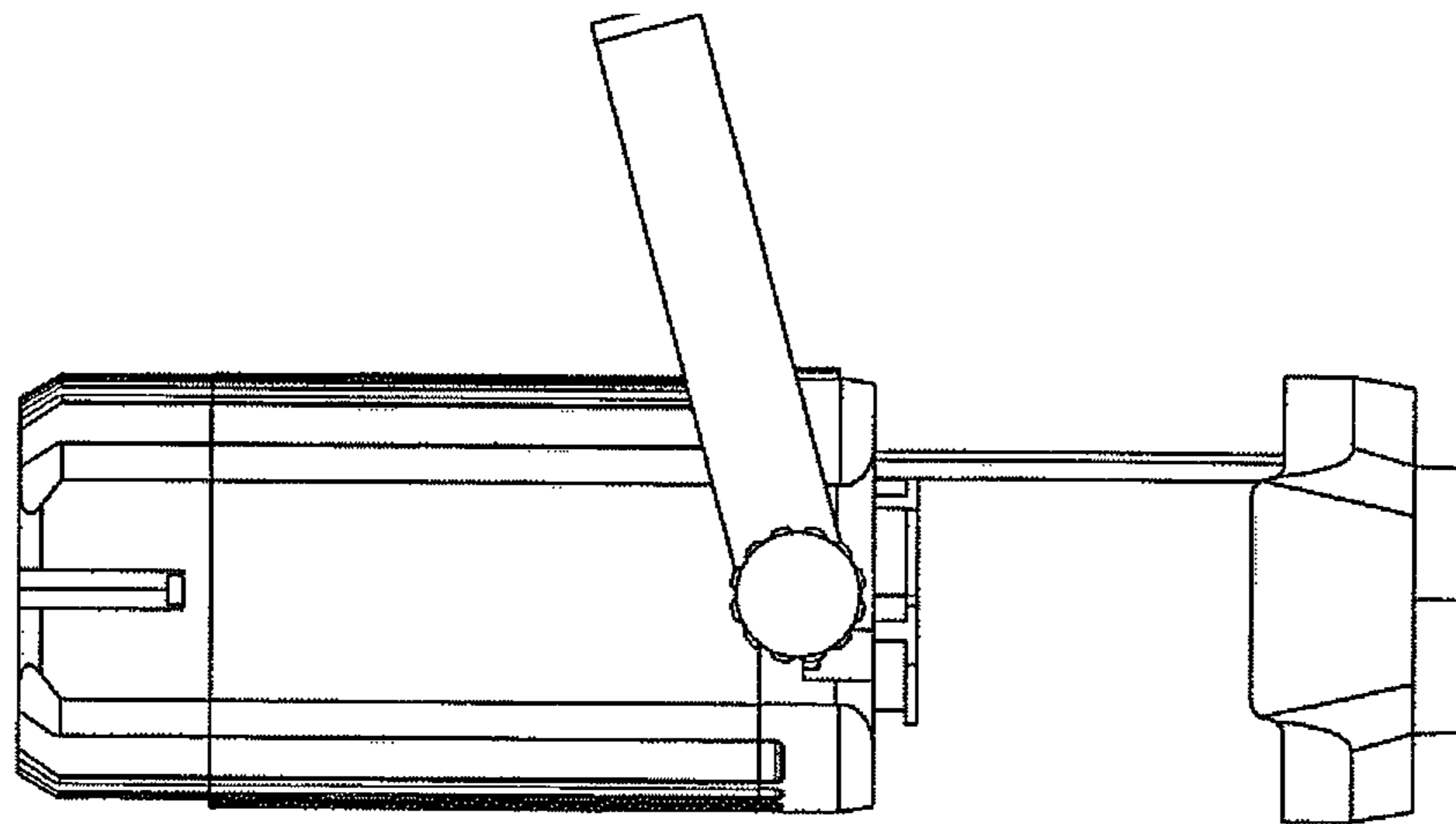


Fig. 3

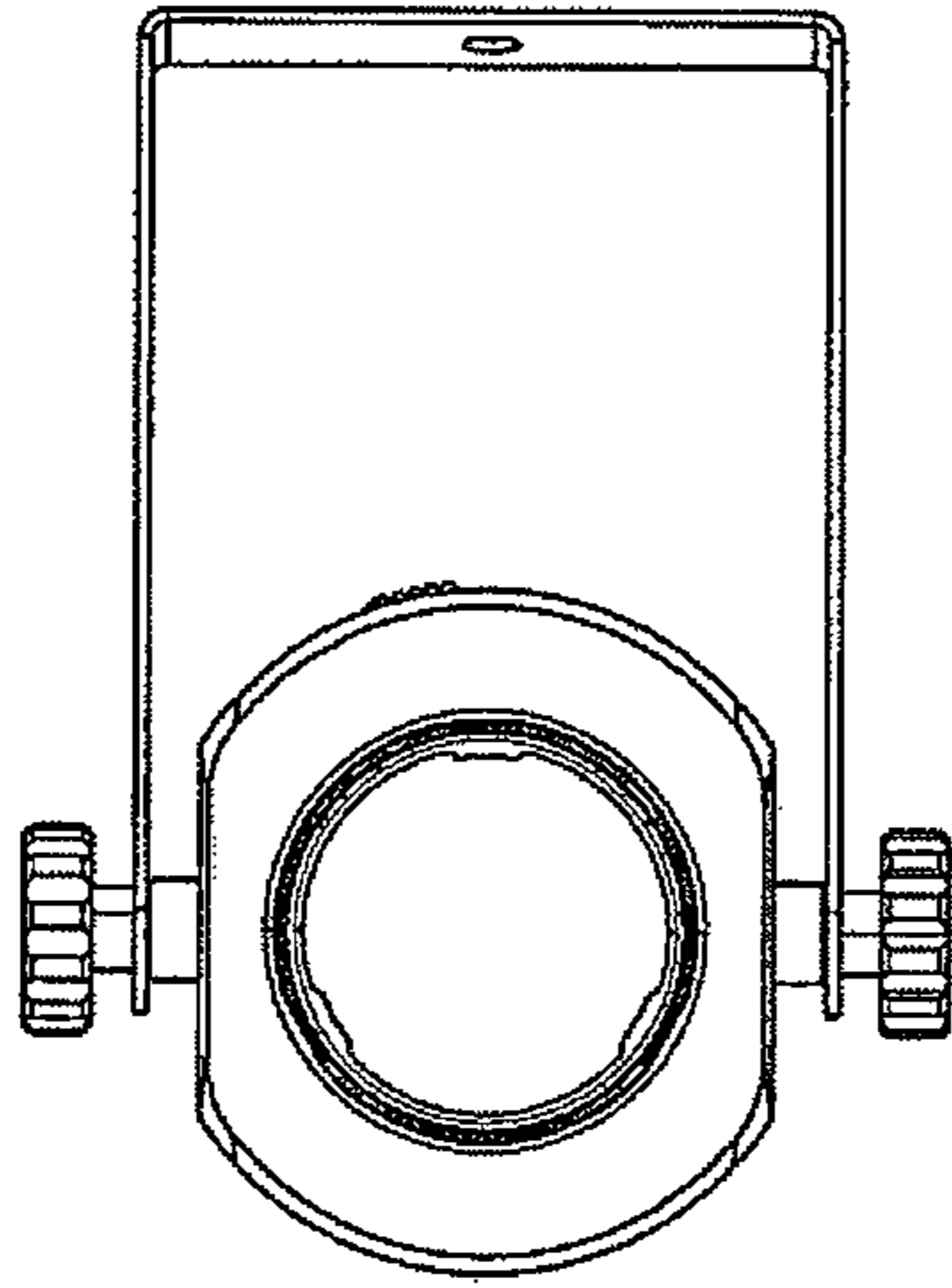


Fig. 4

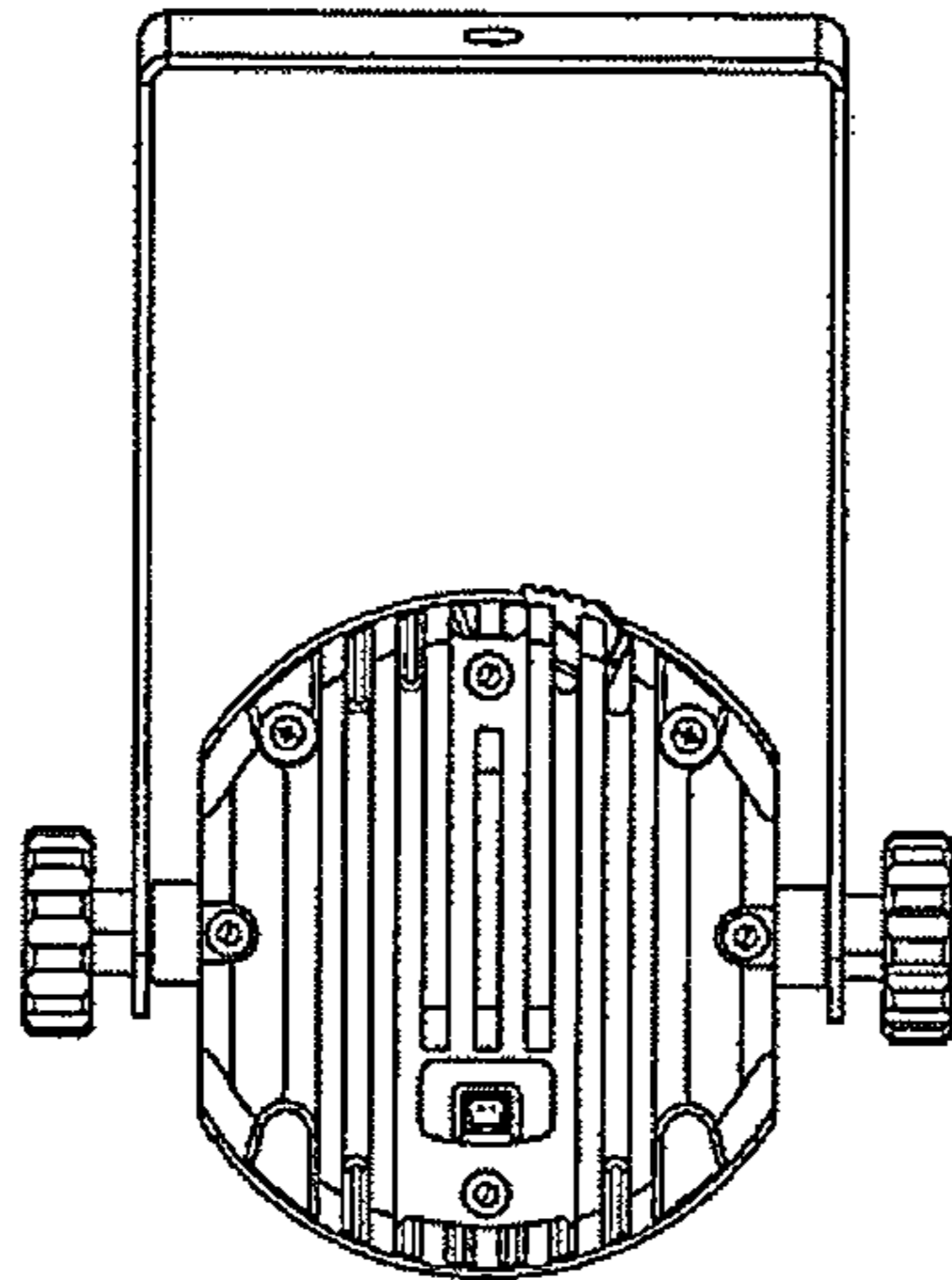


Fig. 5

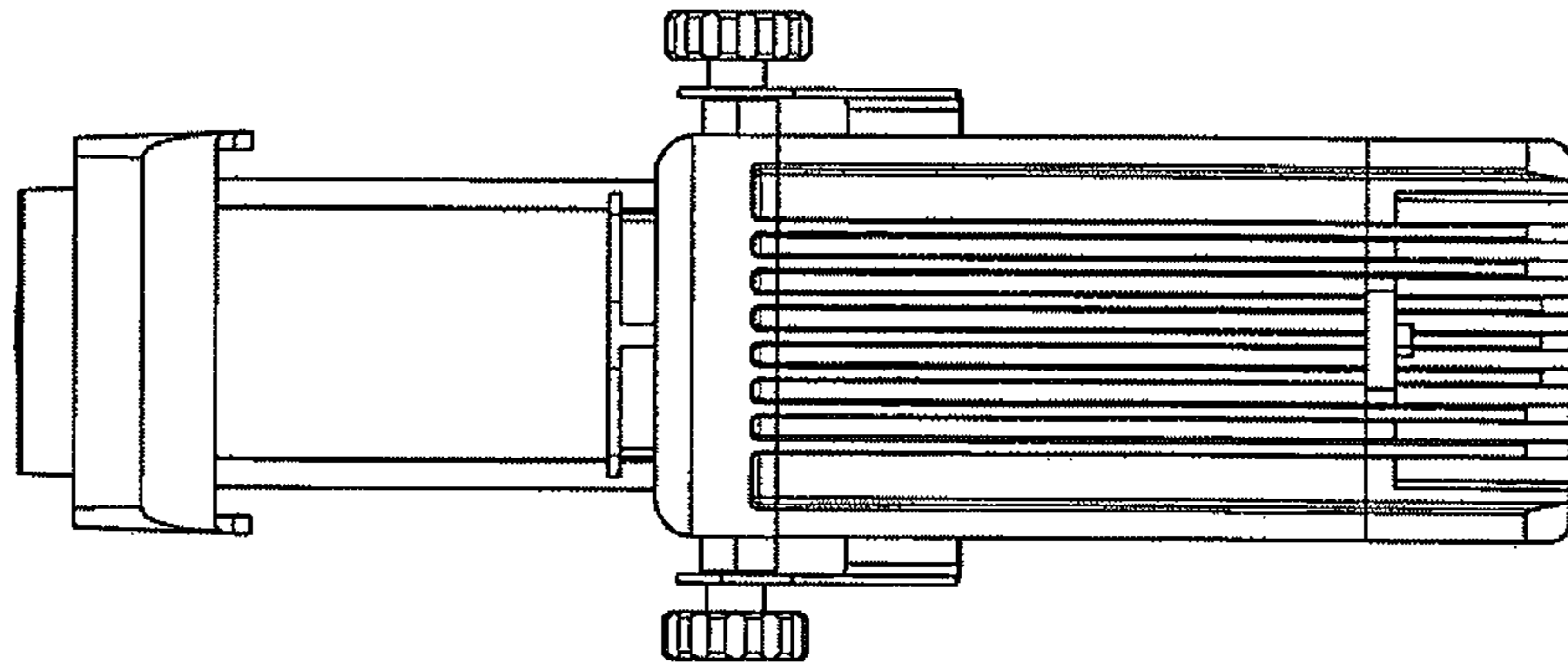


Fig. 6

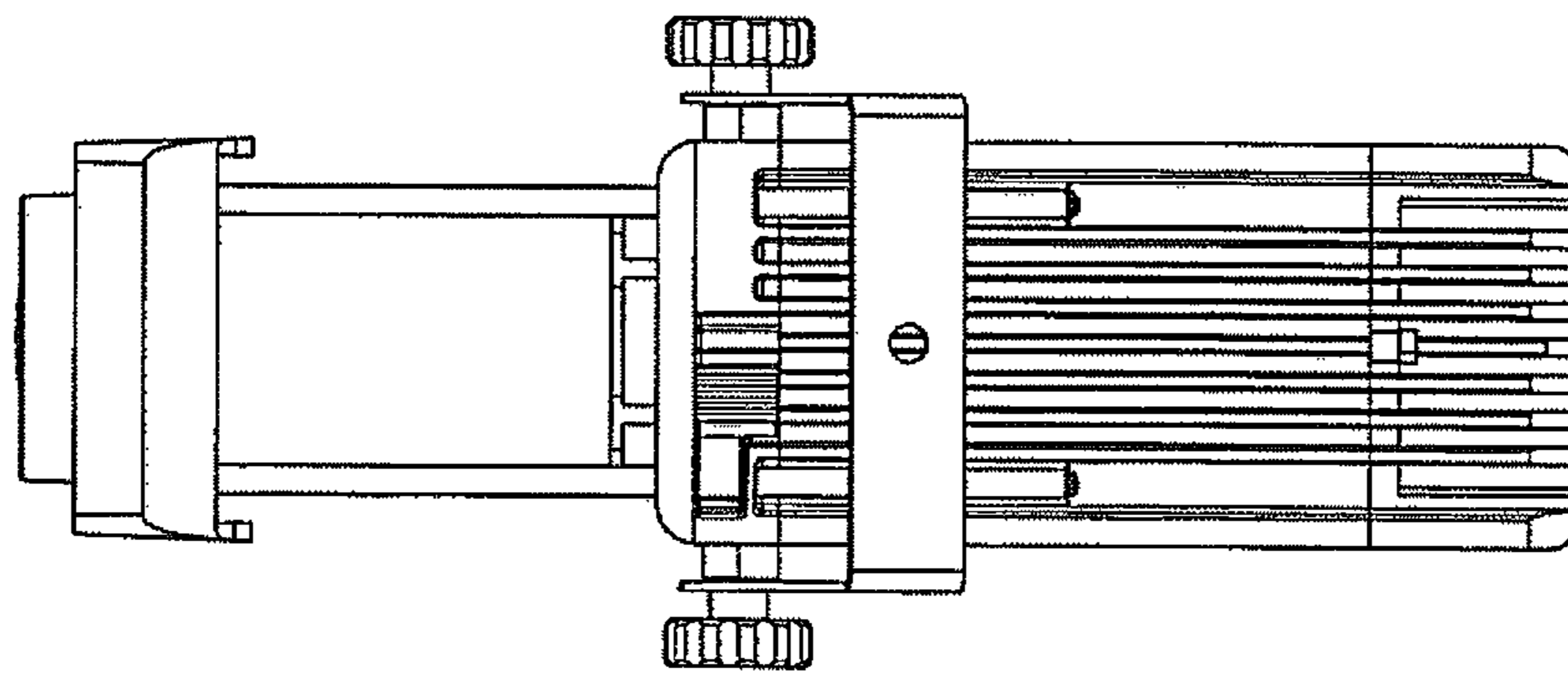


Fig. 7