



US00D694918S

(12) **United States Design Patent**
Cagle et al.

(10) **Patent No.:** **US D694,918 S**
(45) **Date of Patent:** **** Dec. 3, 2013**

(54) **ATTACHMENT FOR CONTAINER CANDLE**

Primary Examiner — T. Chase Nelson

Assistant Examiner — Ania Aman

(75) Inventors: **John E. Cagle**, Greenfield, MA (US);
Cheriyam B. Thomas, Farmington, CT (US)

(74) *Attorney, Agent, or Firm* — Wilmer Cutler Pickering Hale and Dorr LLP

(73) Assignee: **The Yankee Candle Company, Inc.**,
South Deerfield, MA (US)

(57) **CLAIM**

The ornamental design for an attachment for container candle, as shown and described.

(**) Term: **14 Years**

(21) Appl. No.: **29/420,955**

DESCRIPTION

(22) Filed: **May 15, 2012**

(51) **LOC (9) Cl.** **26-01**

(52) **U.S. Cl.**
USPC **D26/23**

(58) **Field of Classification Search**
USPC D26/6-23; D11/228, 121, 125, 131;
428/11, 291, 311, 320, 298; 362/161,
362/162, 163, 351; 431/291, 126, 125
See application file for complete search history.

FIG. 1 is a perspective view of an embodiment of the attachment for container candle of the present invention.

FIG. 2 is a front elevational view of the attachment for container candle shown in FIG. 1.

FIG. 3 is a rear elevational view of the attachment for container candle shown in FIG. 1.

FIG. 4 is a right side elevational view of the attachment for container candle shown in FIG. 1 with the left side view being a mirror image thereof.

FIG. 5 is a top plan view of the attachment for container candle shown in FIG. 1; and,

FIG. 6 is a bottom plan view of the attachment for container candle shown in FIG. 1.

The broken lines shown in FIG. 1 are for the purpose of illustrating portions of the article that form no part of the claimed design.

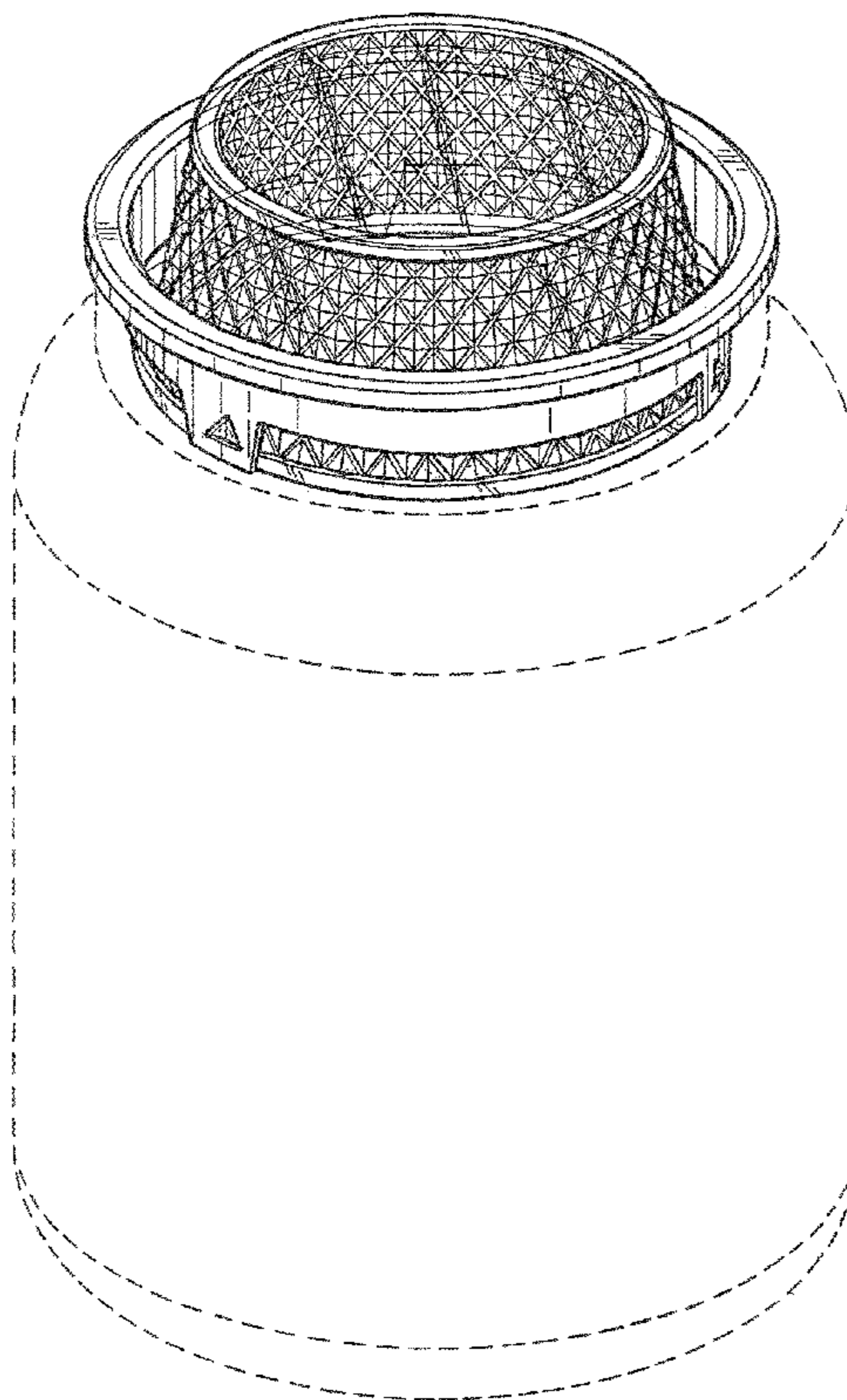
(56) **References Cited**

U.S. PATENT DOCUMENTS

| | | | | | |
|--------------|------|---------|---------------|-------|---------|
| 2005/0277076 | A1 * | 12/2005 | Papai | | 431/125 |
| 2008/0131825 | A1 * | 6/2008 | Falle et al. | | 431/126 |
| 2009/0004614 | A1 * | 1/2009 | Furner et al. | | 431/291 |

* cited by examiner

1 Claim, 3 Drawing Sheets



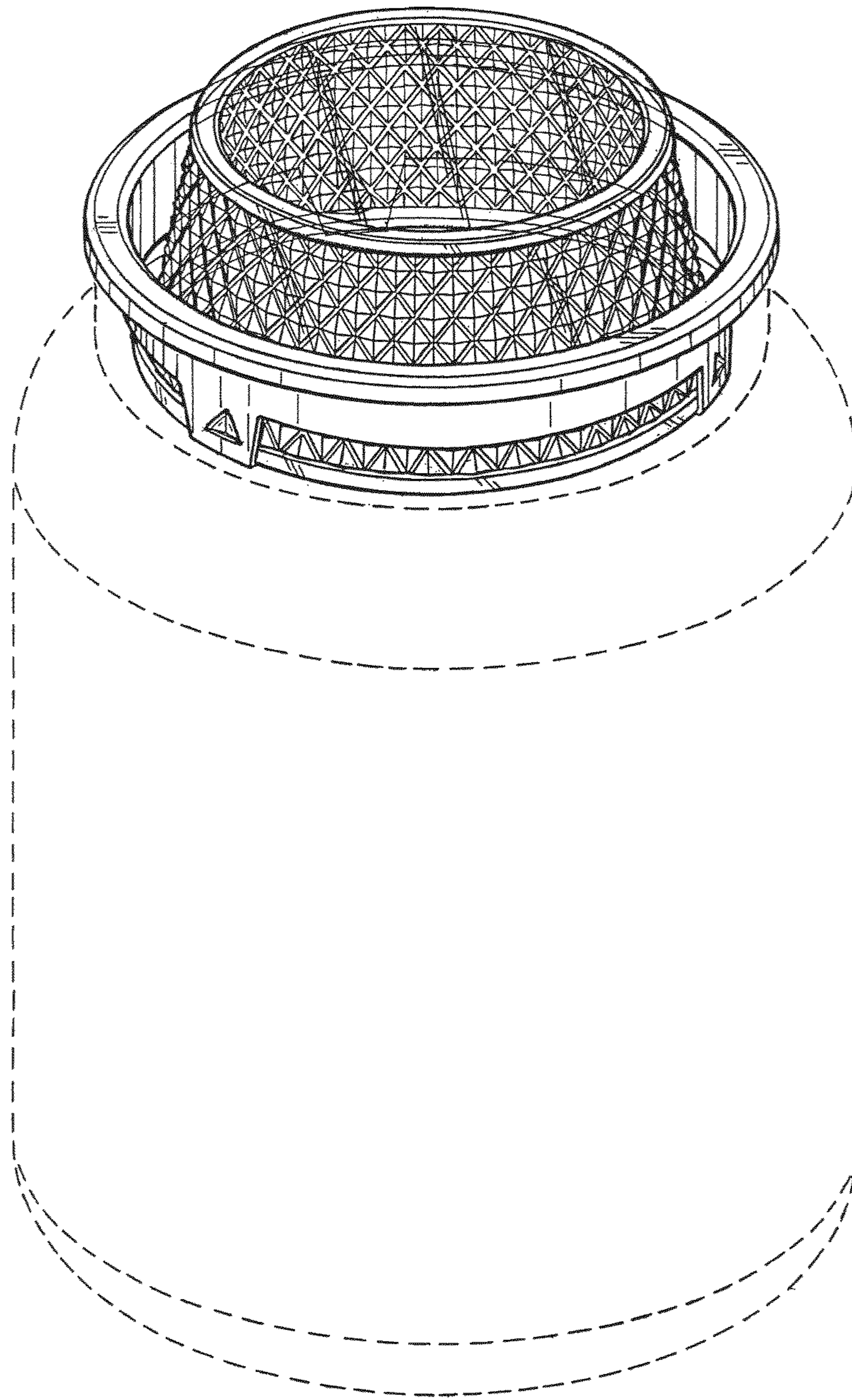


Fig. 1

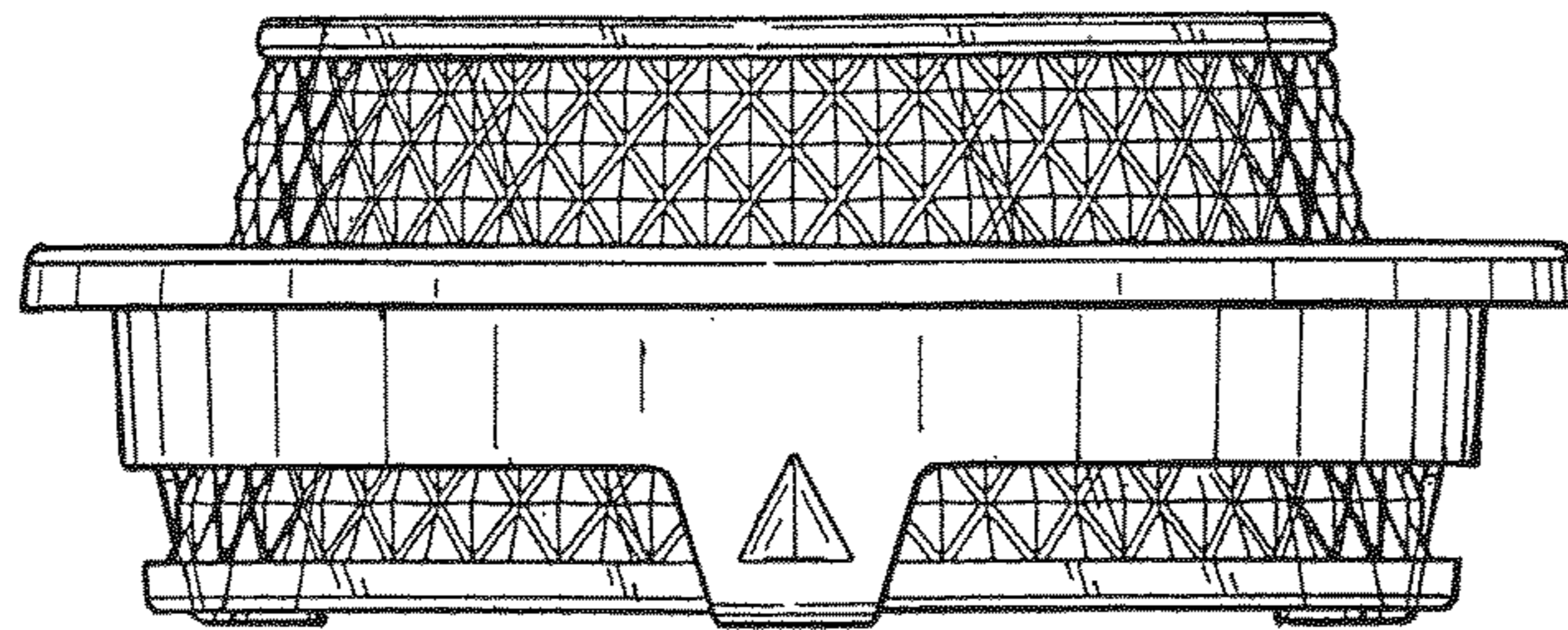


Fig. 2

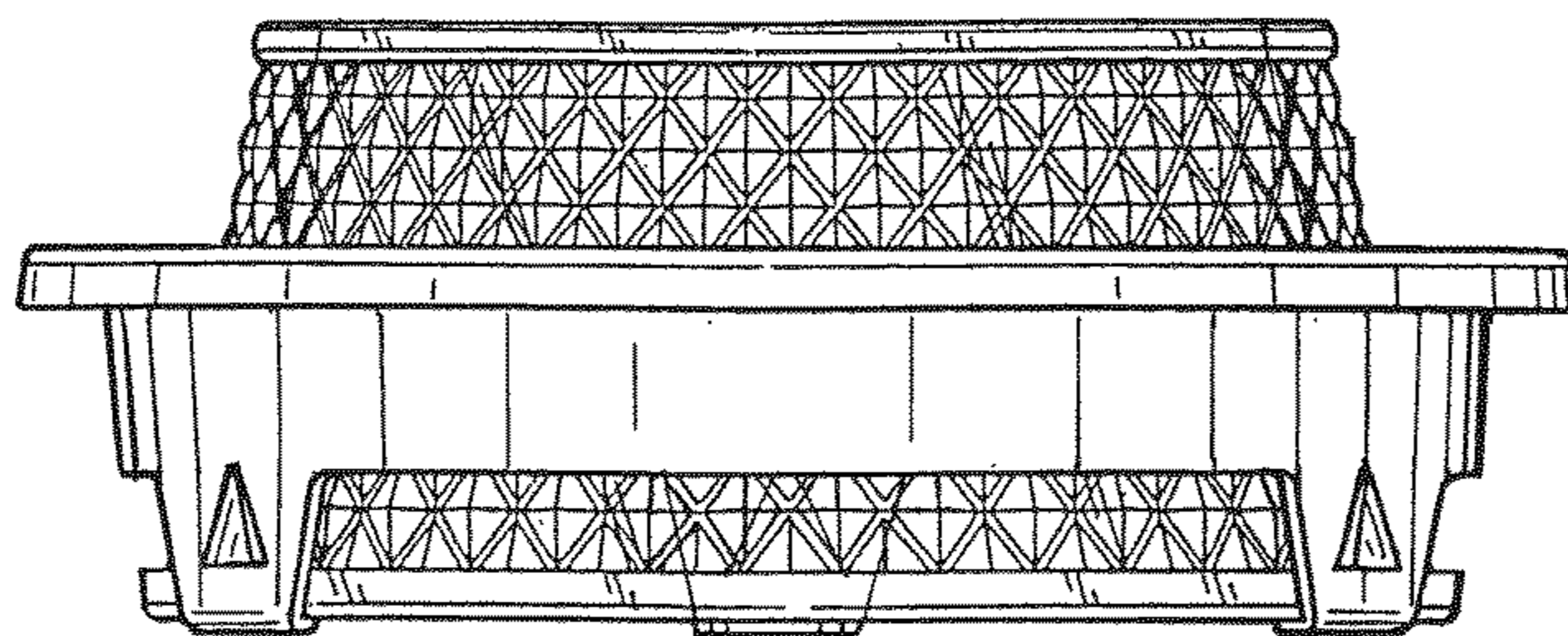


Fig. 3

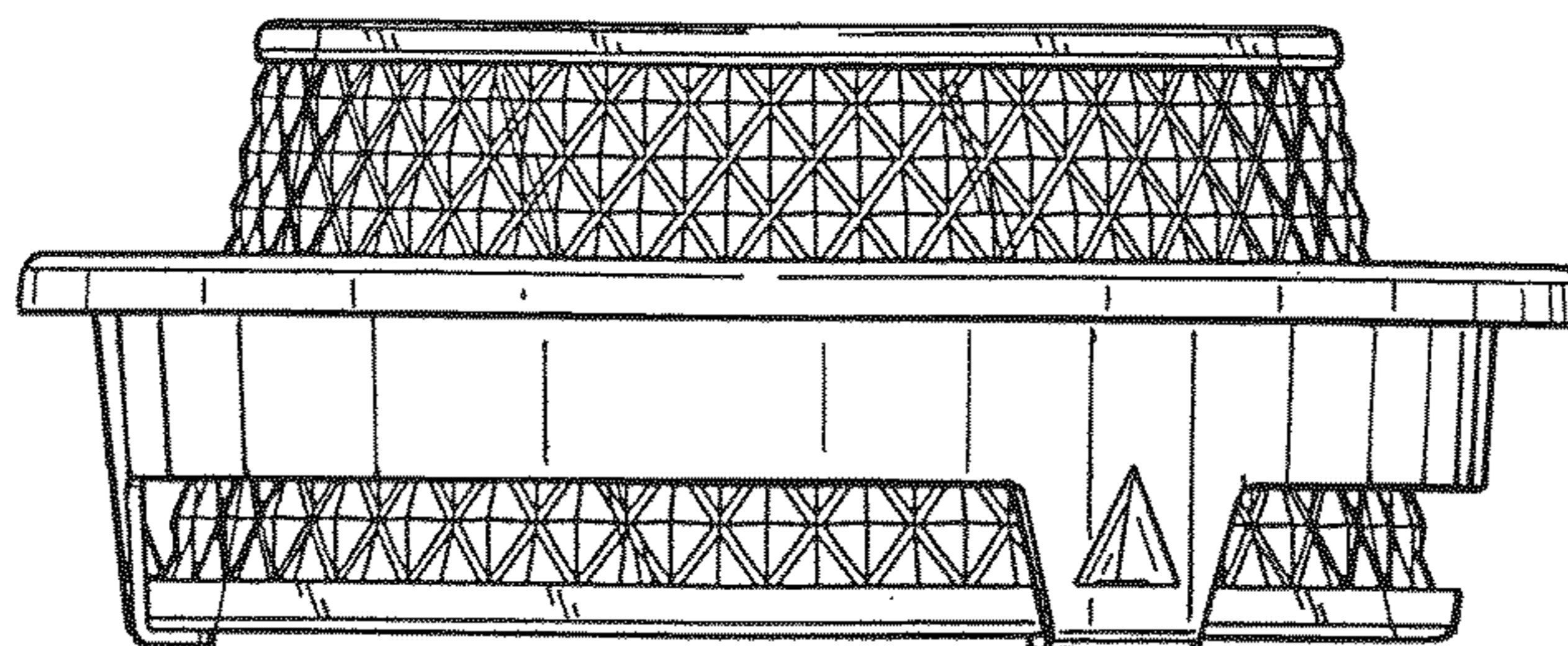


Fig. 4

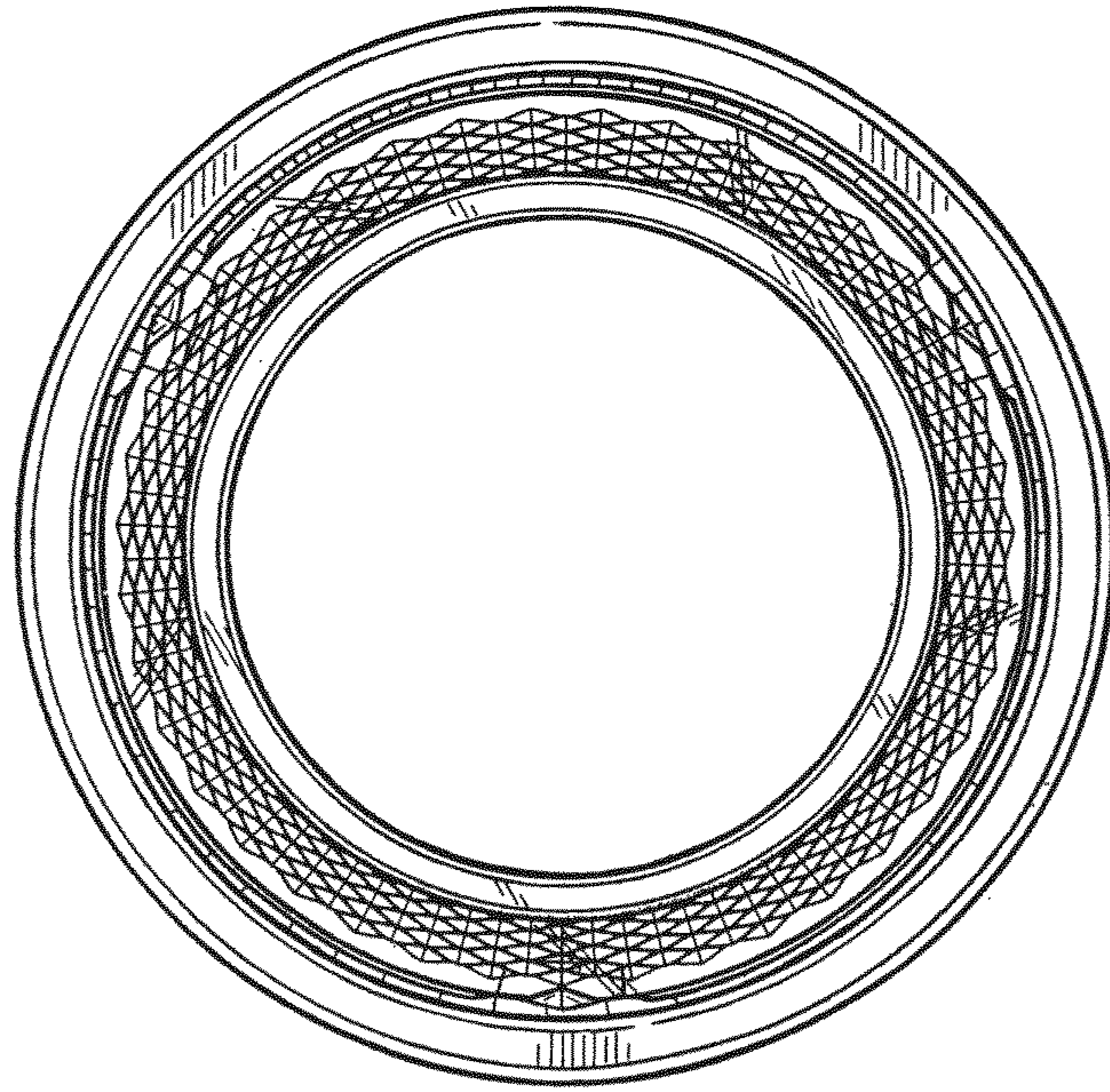


Fig. 5

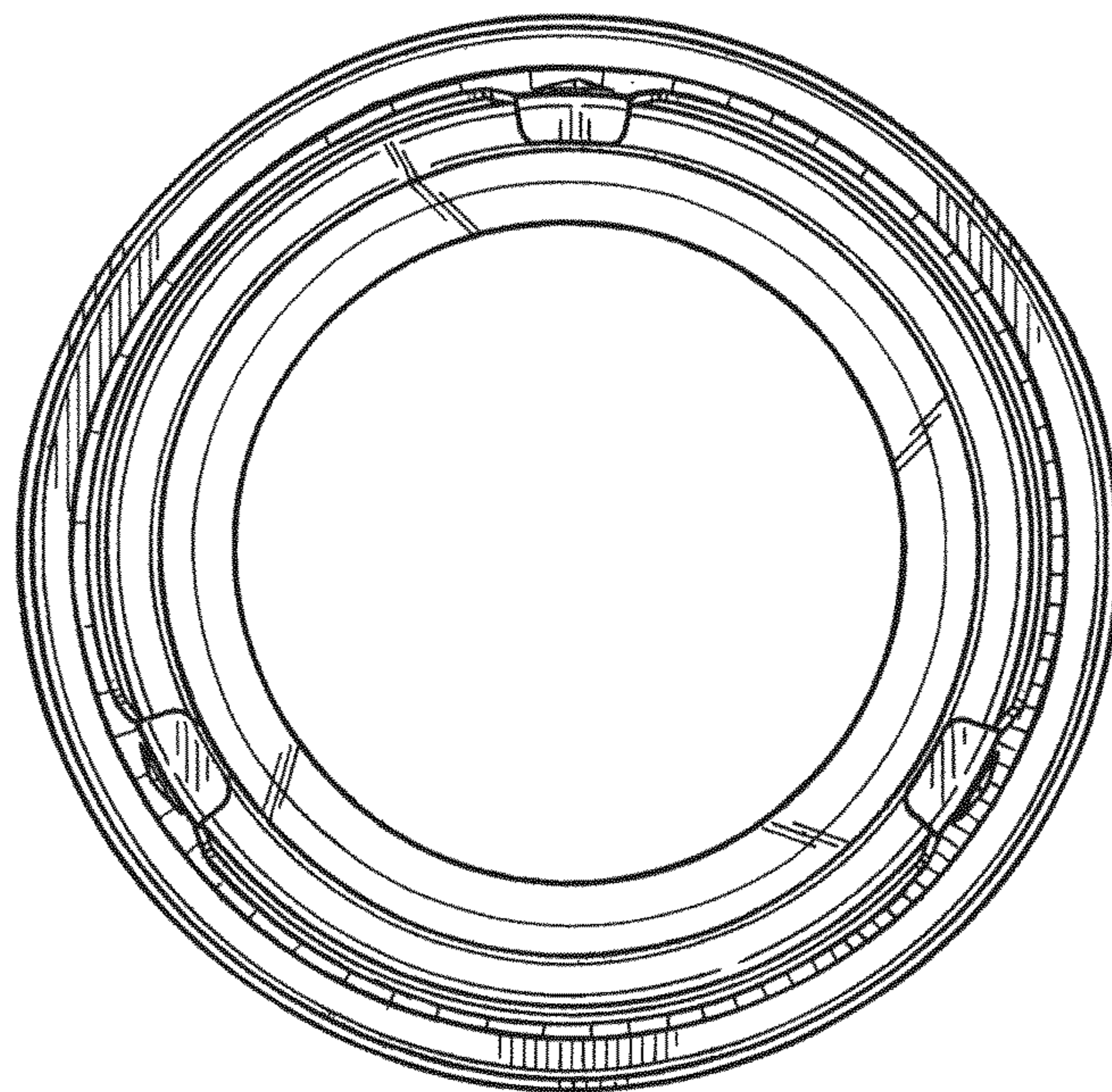


Fig. 6