



US00D694916S

(12) **United States Design Patent**
Su

(10) **Patent No.:** **US D694,916 S**
(45) **Date of Patent:** **** Dec. 3, 2013**

(54) **LIGHT EMITTING DIODE LAMP**

(75) Inventor: **Ching-Yu Su**, New Taipei (TW)

(73) Assignees: **Cal-Comp Electronics & Communications Company Limited**, New Taipei (TW); **Kinpo Electronics, Inc.**, New Taipei (TW)

(**) Term: **14 Years**

(21) Appl. No.: **29/416,856**

(22) Filed: **Mar. 28, 2012**

(30) **Foreign Application Priority Data**

Sep. 29, 2011 (EM) 001296032

(51) **LOC (9) Cl.** **26-04**

(52) **U.S. Cl.**
USPC **D26/2**

(58) **Field of Classification Search**

USPC D26/1-4; 313/313, 315, 316, 317, 318,
313/493; 315/52, 53, 56, 57, 58
See application file for complete search history.

(56) **References Cited**

U.S. PATENT DOCUMENTS

D610,722 S *	2/2010	Bi	D26/2
D646,406 S *	10/2011	Tsai et al.	D26/2
D649,664 S *	11/2011	Beregszaszi et al.	D26/2
D656,252 S *	3/2012	Engl et al.	D26/2
D663,057 S *	7/2012	Pan	D26/2
D687,174 S *	7/2013	Hsu et al.	D26/2

* cited by examiner

Primary Examiner — Marcus Jackson

(74) *Attorney, Agent, or Firm* — Jianq Chyun IP Office

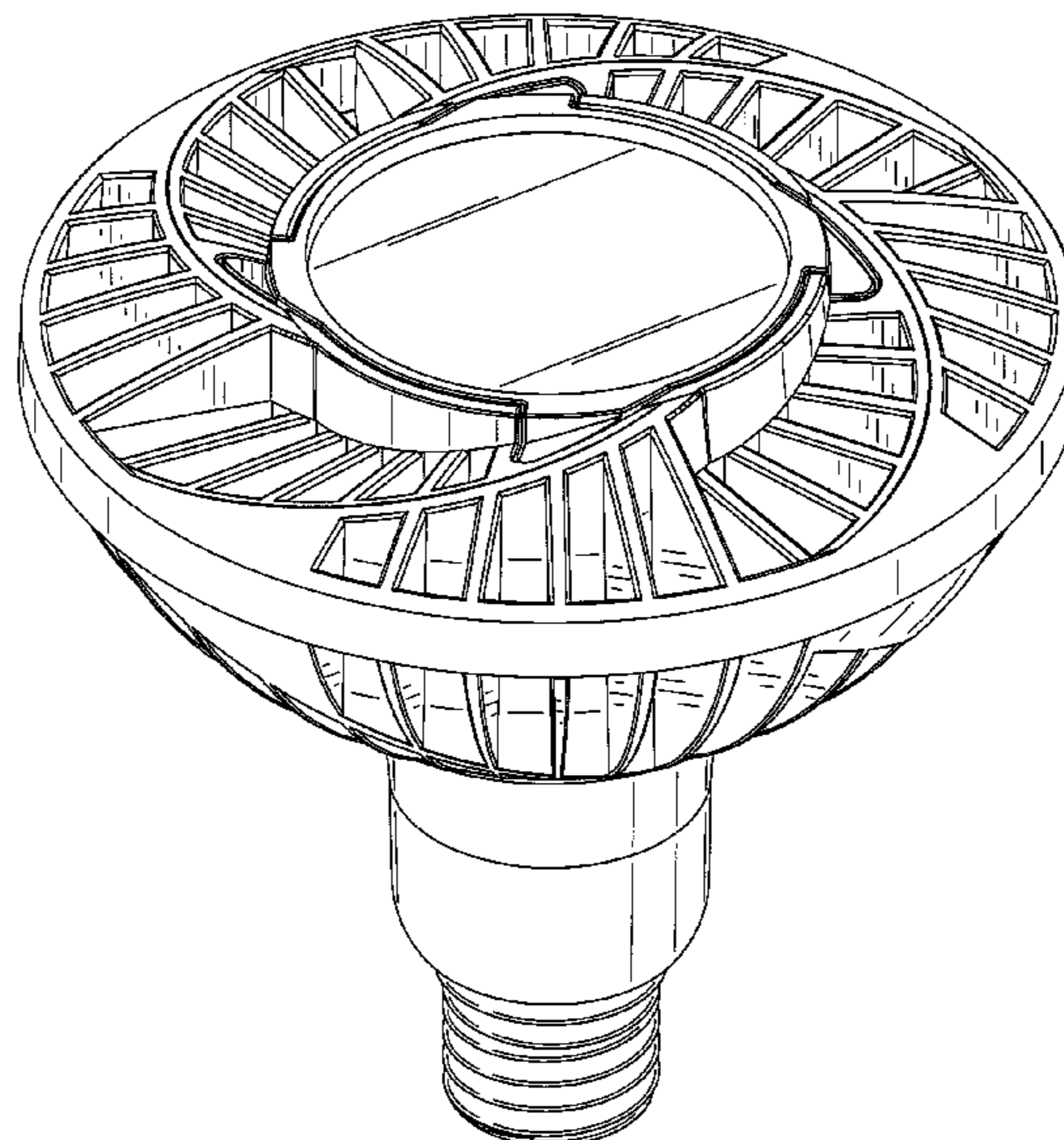
(57) **CLAIM**

The ornamental design for a light emitting diode lamp, as shown and described.

DESCRIPTION

FIG. 1 is a perspective view of a lighting emitting diode lamp showing a first embodiment of our new design;
 FIG. 2 is a front view thereof;
 FIG. 3 is a rear view thereof;
 FIG. 4 is a left side view thereof;
 FIG. 5 is a right side view thereof;
 FIG. 6 is a top view thereof;
 FIG. 7 is a bottom view thereof;
 FIG. 8 is a perspective view of a lighting emitting diode lamp showing a second embodiment of our new design;
 FIG. 9 is a front view thereof;
 FIG. 10 is a rear view thereof;
 FIG. 11 is a left side view thereof;
 FIG. 12 is a right side view thereof;
 FIG. 13 is a top view thereof;
 FIG. 14 is a bottom view thereof;
 FIG. 15 is a perspective view of a lighting emitting diode lamp showing a third embodiment of our new design;
 FIG. 16 is a front view thereof;
 FIG. 17 is a rear view thereof;
 FIG. 18 is a left side view thereof;
 FIG. 19 is a right side view thereof;
 FIG. 20 is a top view thereof;
 FIG. 21 is a bottom view thereof;
 FIG. 22 is a perspective view of a lighting emitting diode lamp showing a fourth embodiment of our new design;
 FIG. 23 is a front view thereof;
 FIG. 24 is a rear view thereof;
 FIG. 25 is a left side view thereof;
 FIG. 26 is a right side view thereof;
 FIG. 27 is a top view thereof; and,
 FIG. 28 is a bottom view thereof.

1 Claim, 28 Drawing Sheets



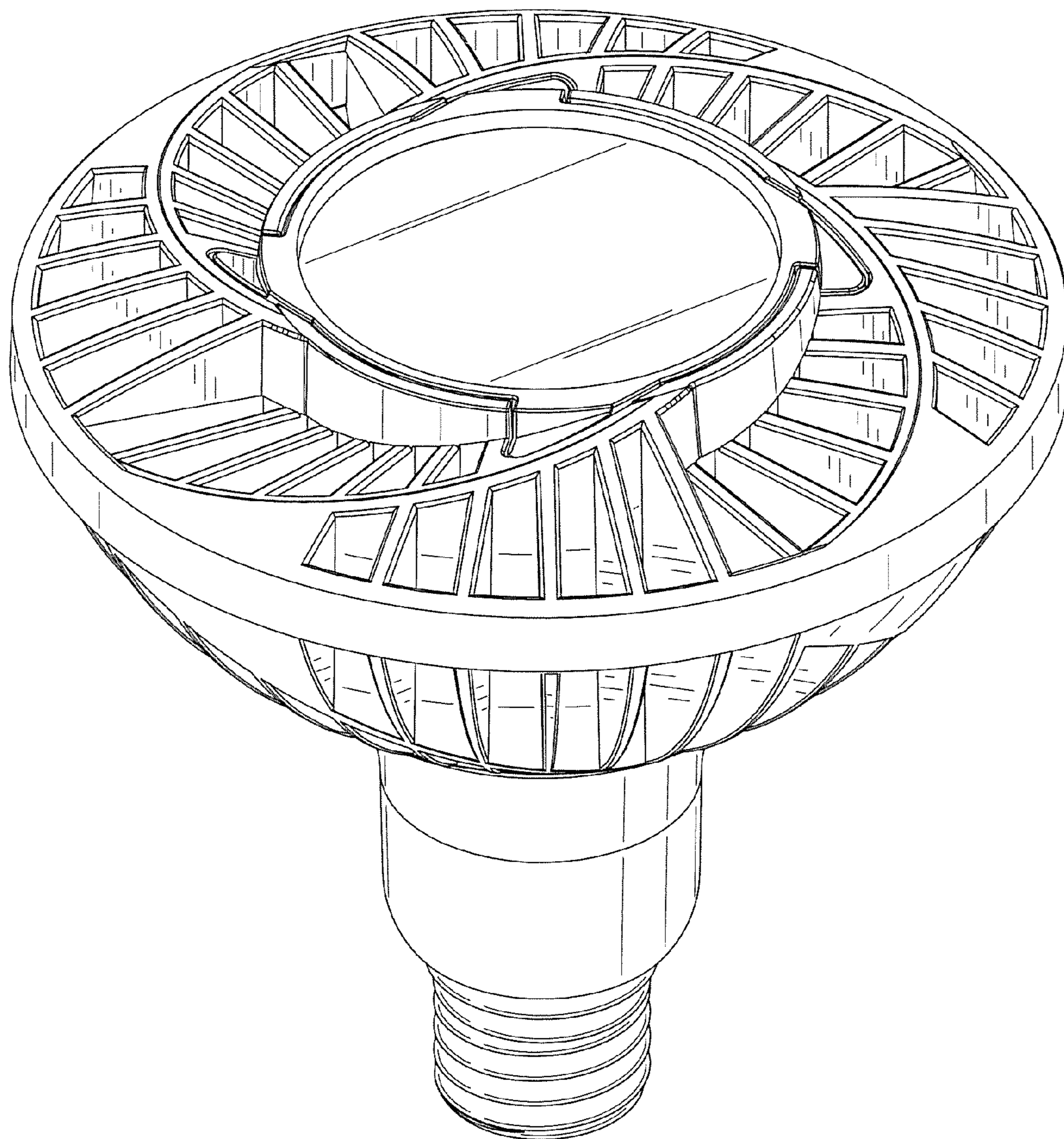


FIG. 1

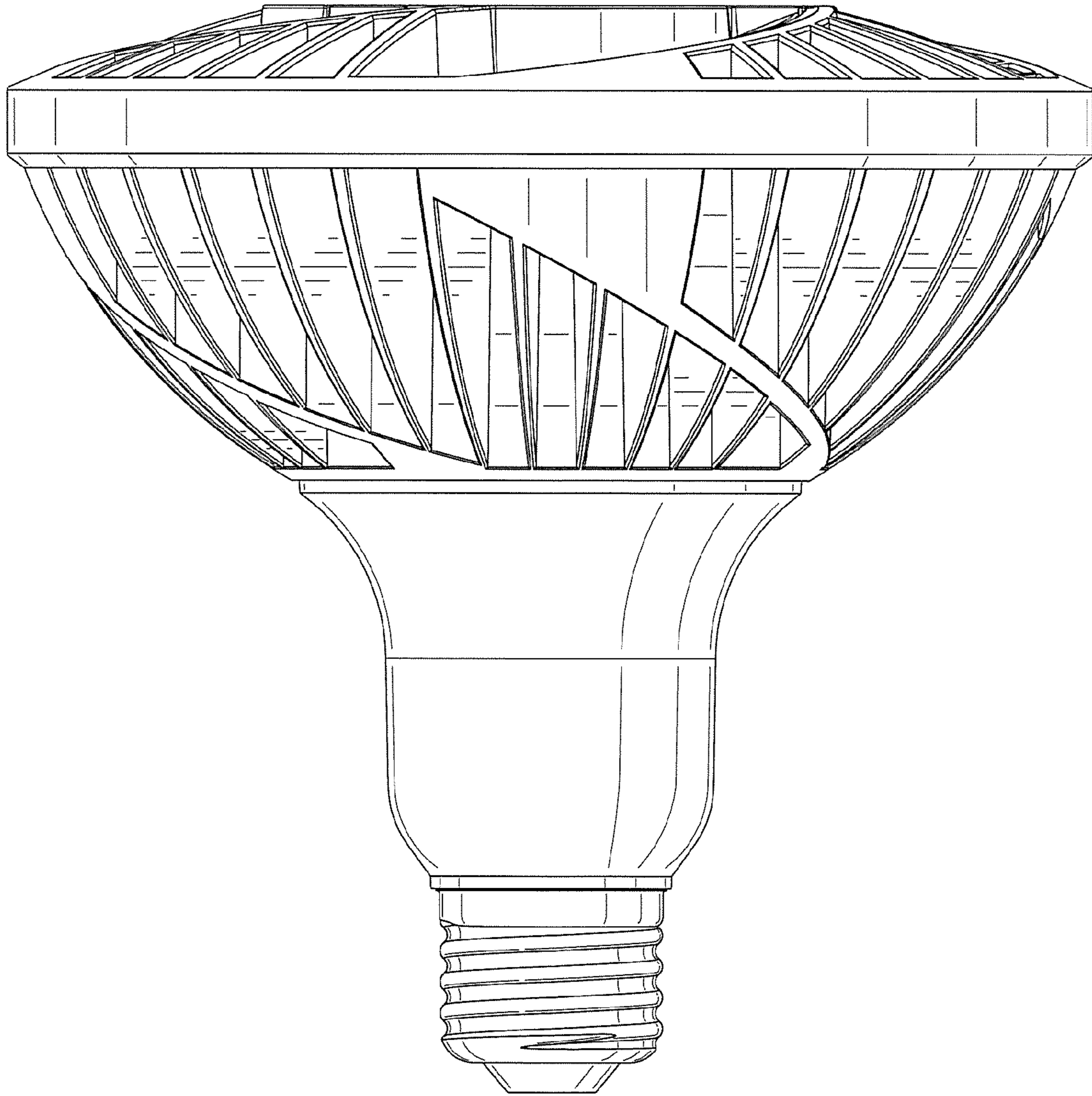


FIG. 2

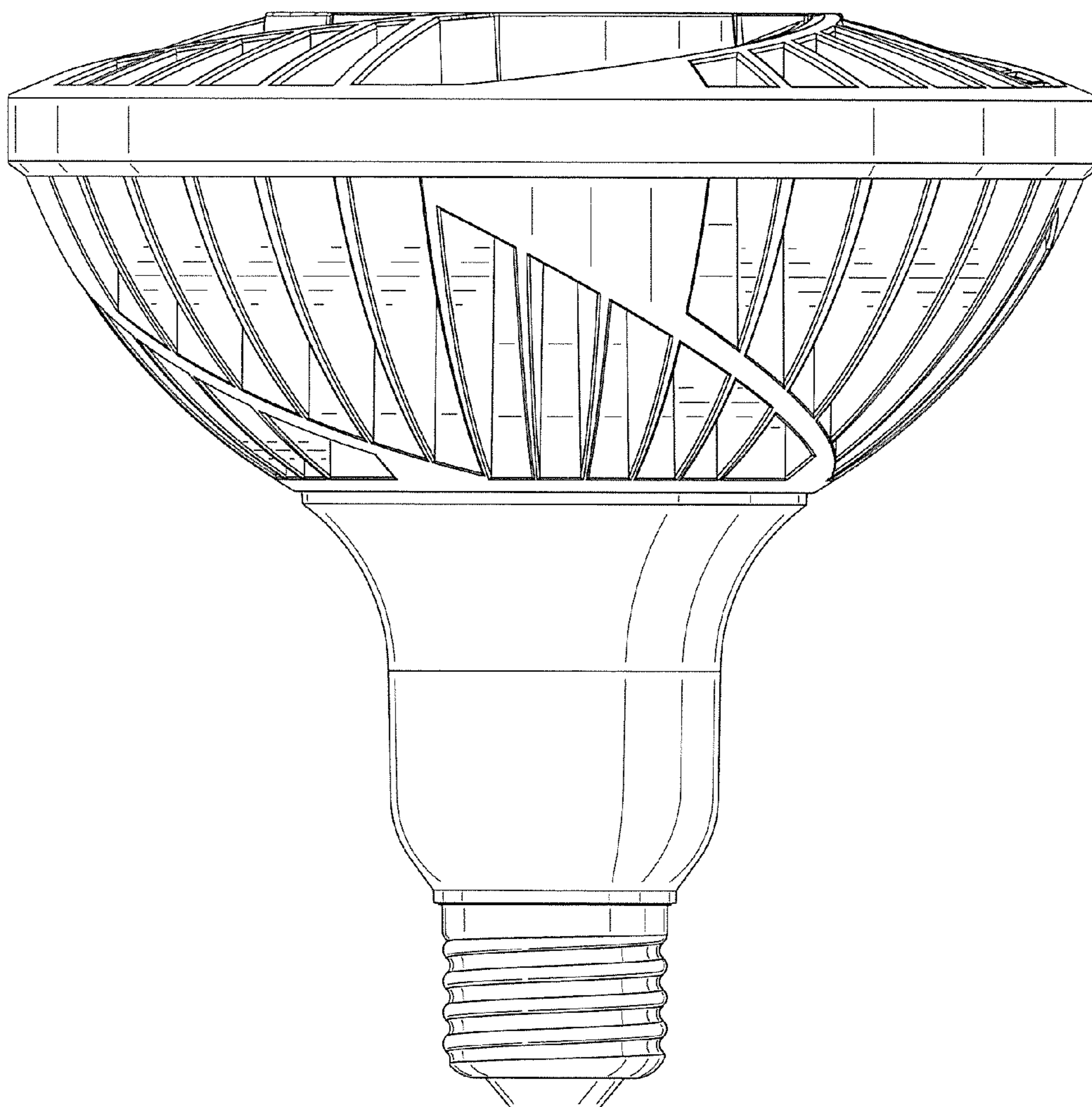


FIG. 3

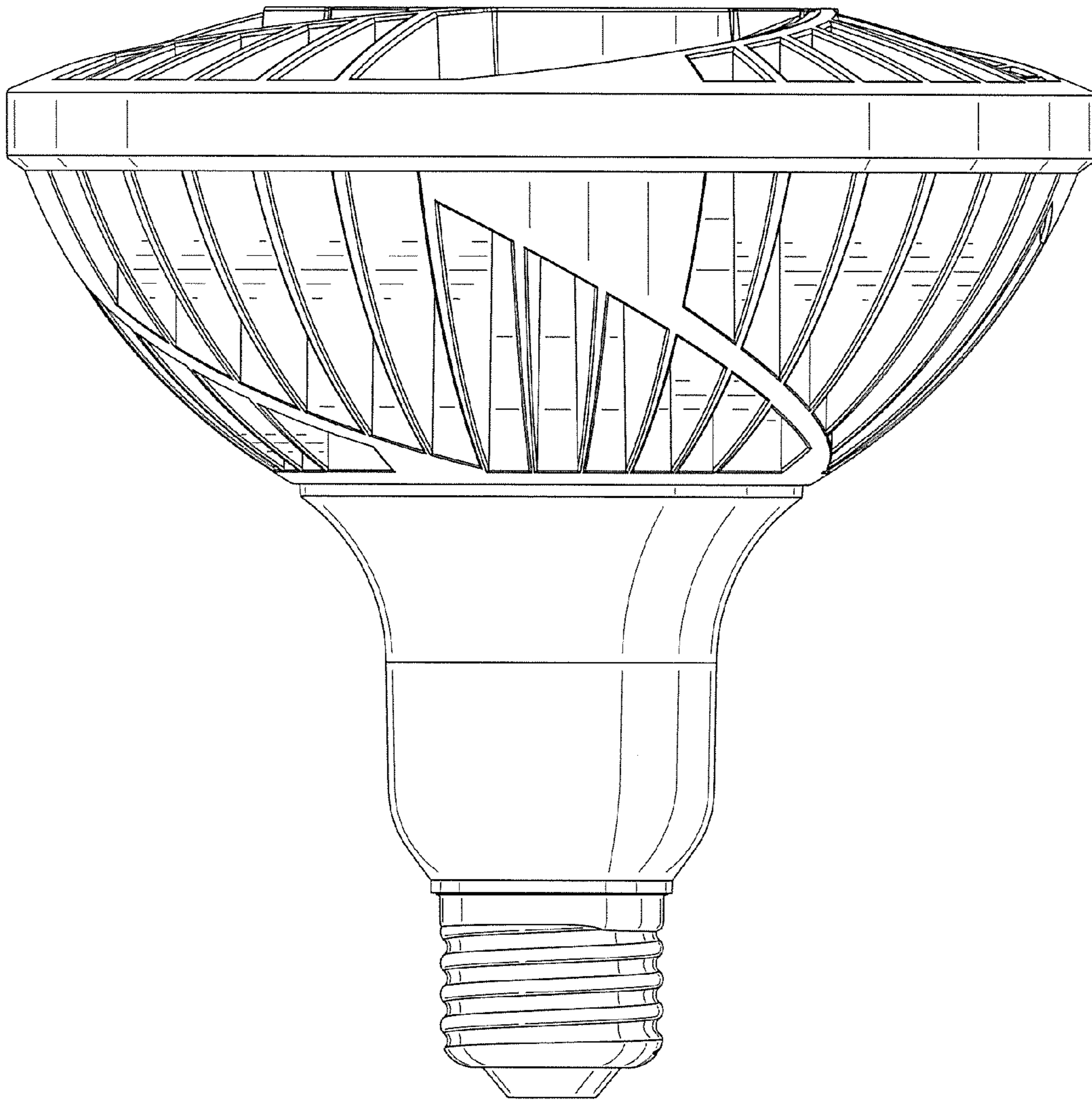


FIG. 4

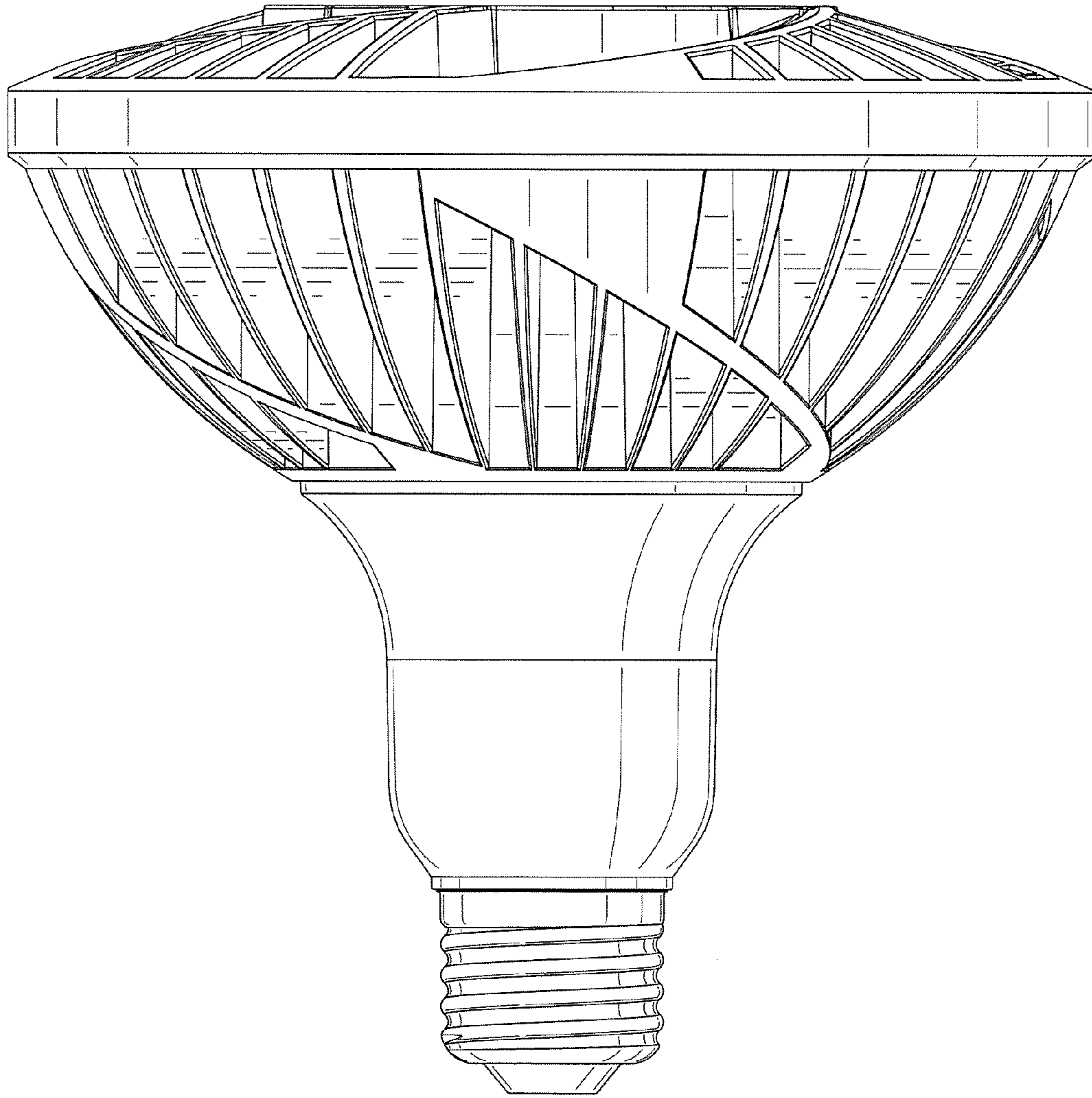


FIG. 5

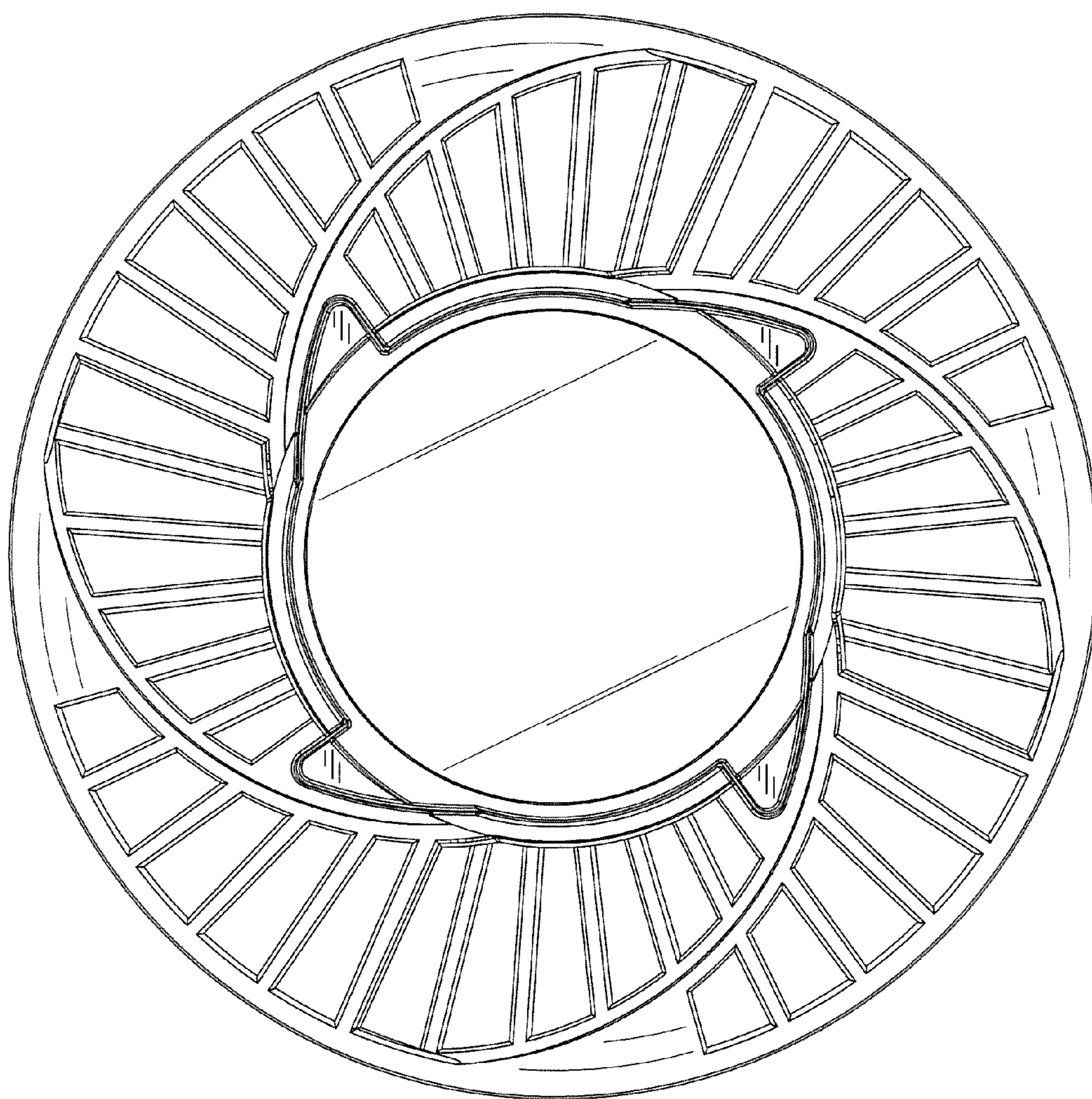


FIG. 6

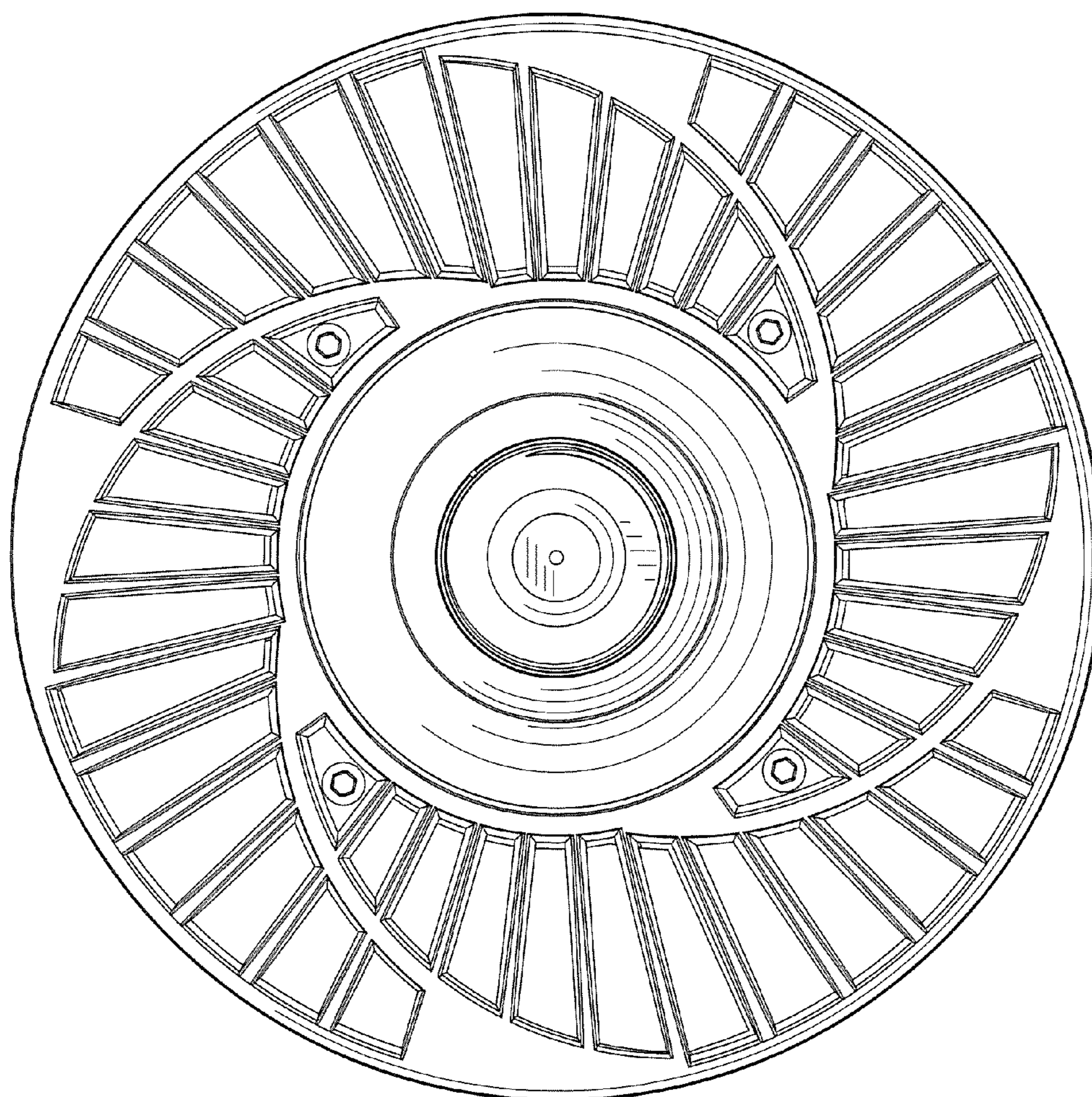


FIG. 7

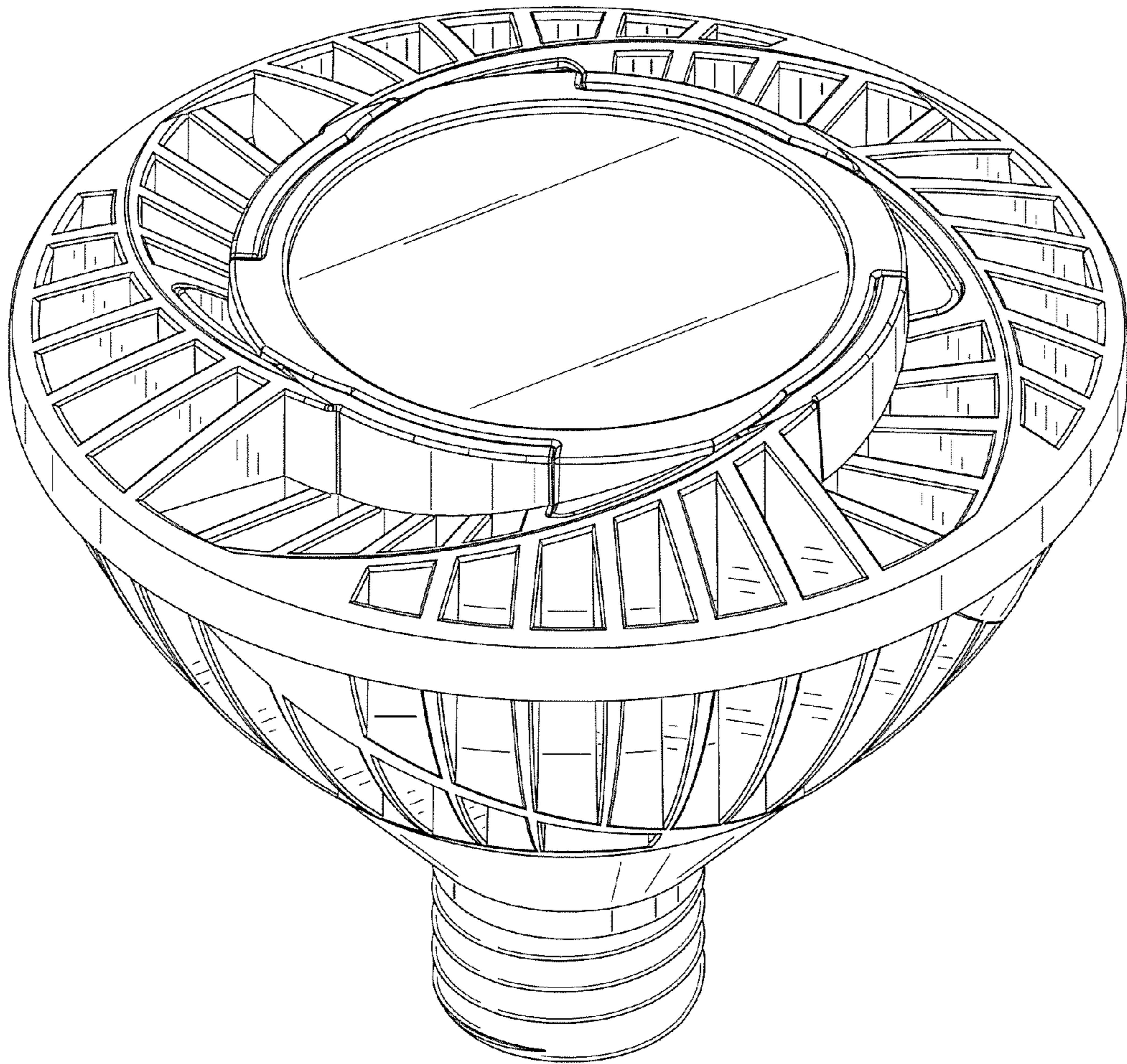


FIG. 8

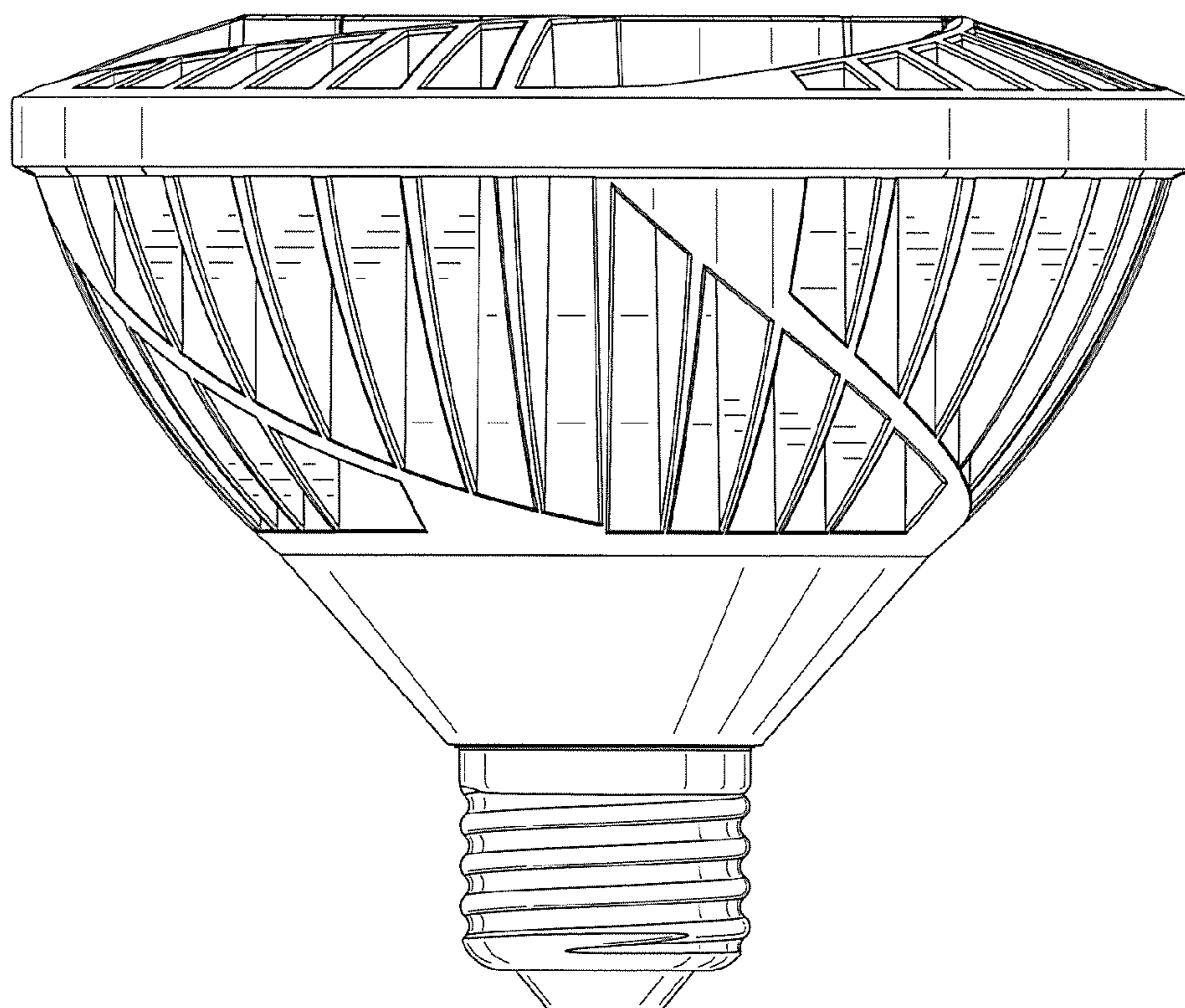


FIG. 9

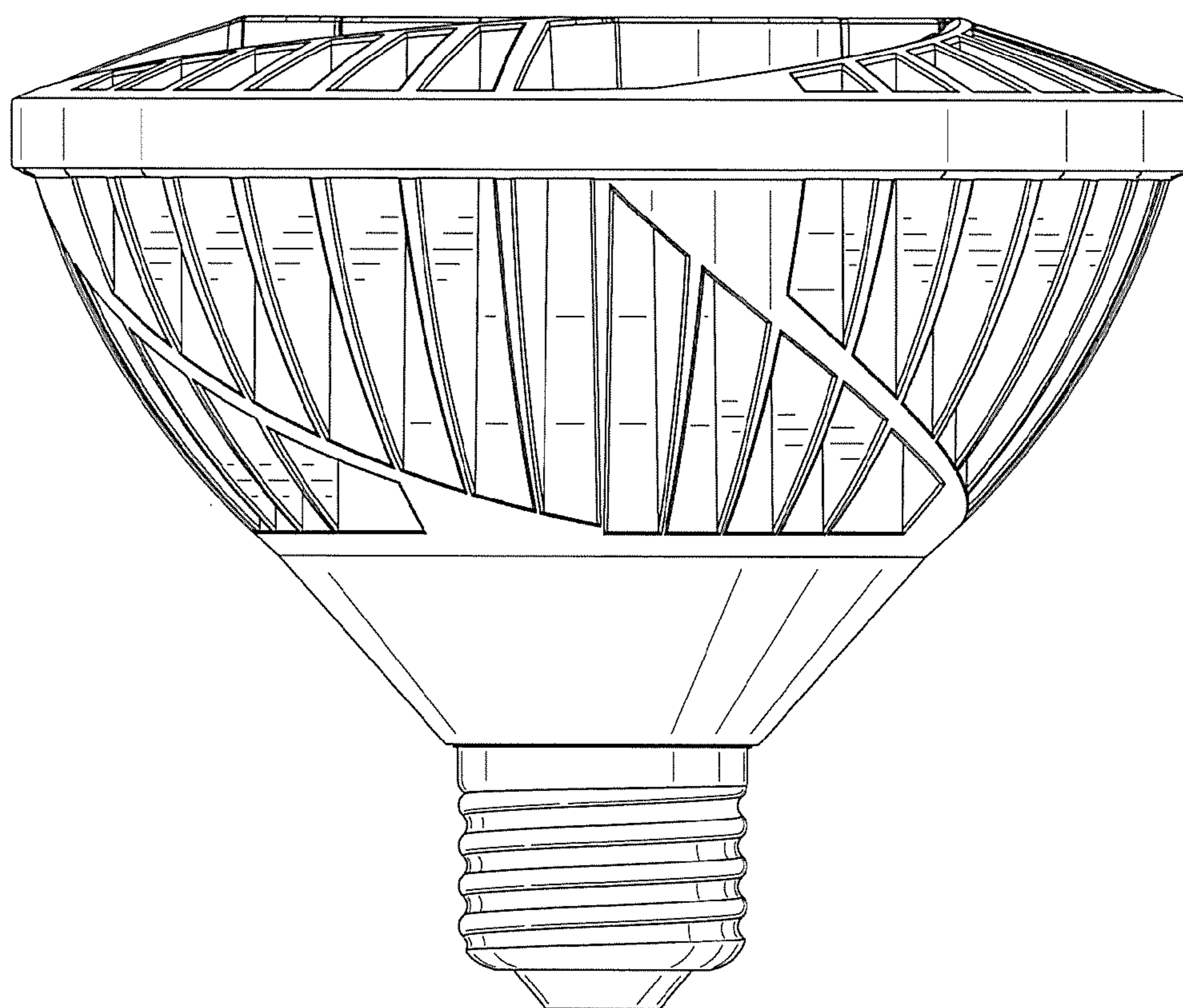


FIG. 10

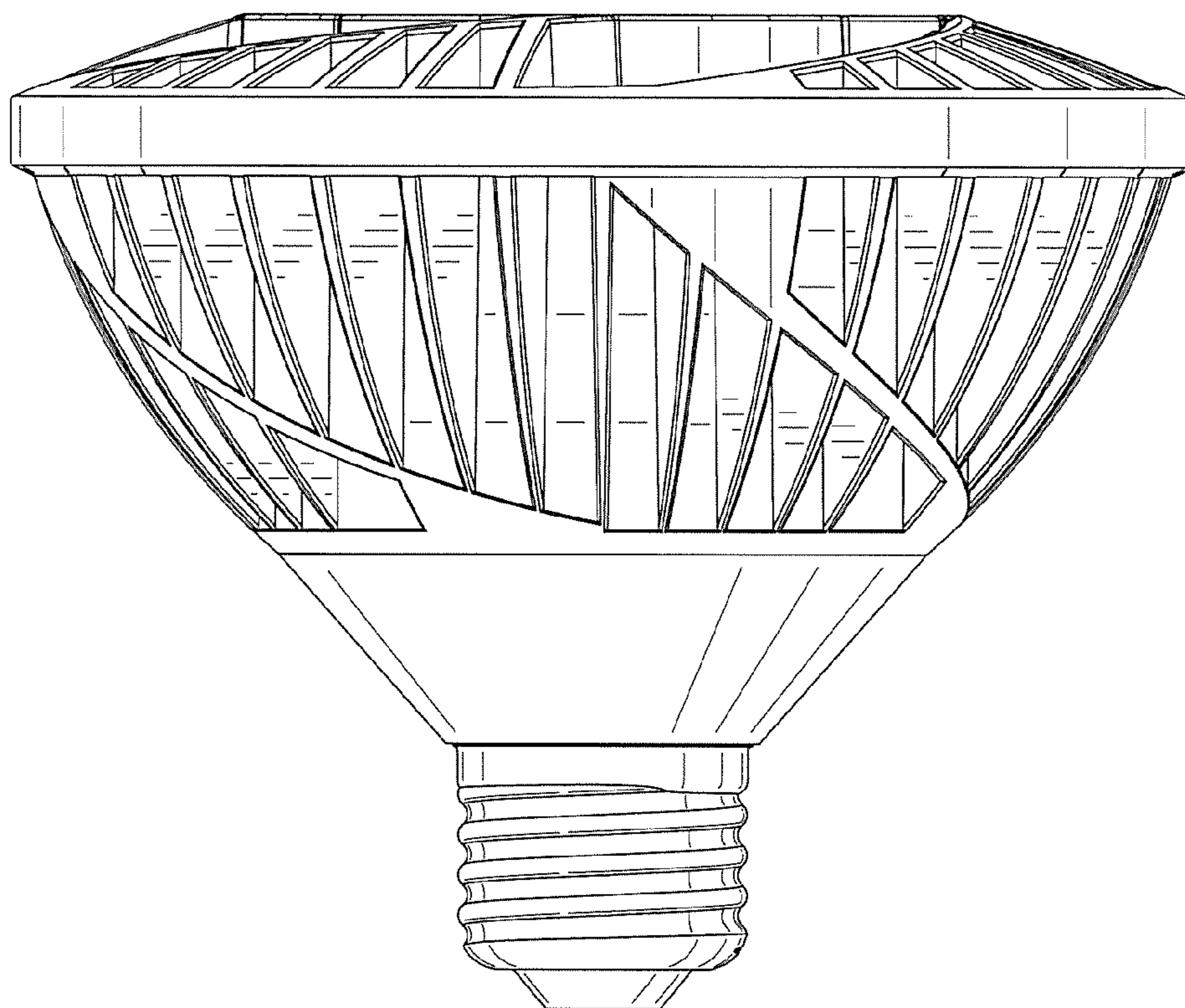


FIG. 11

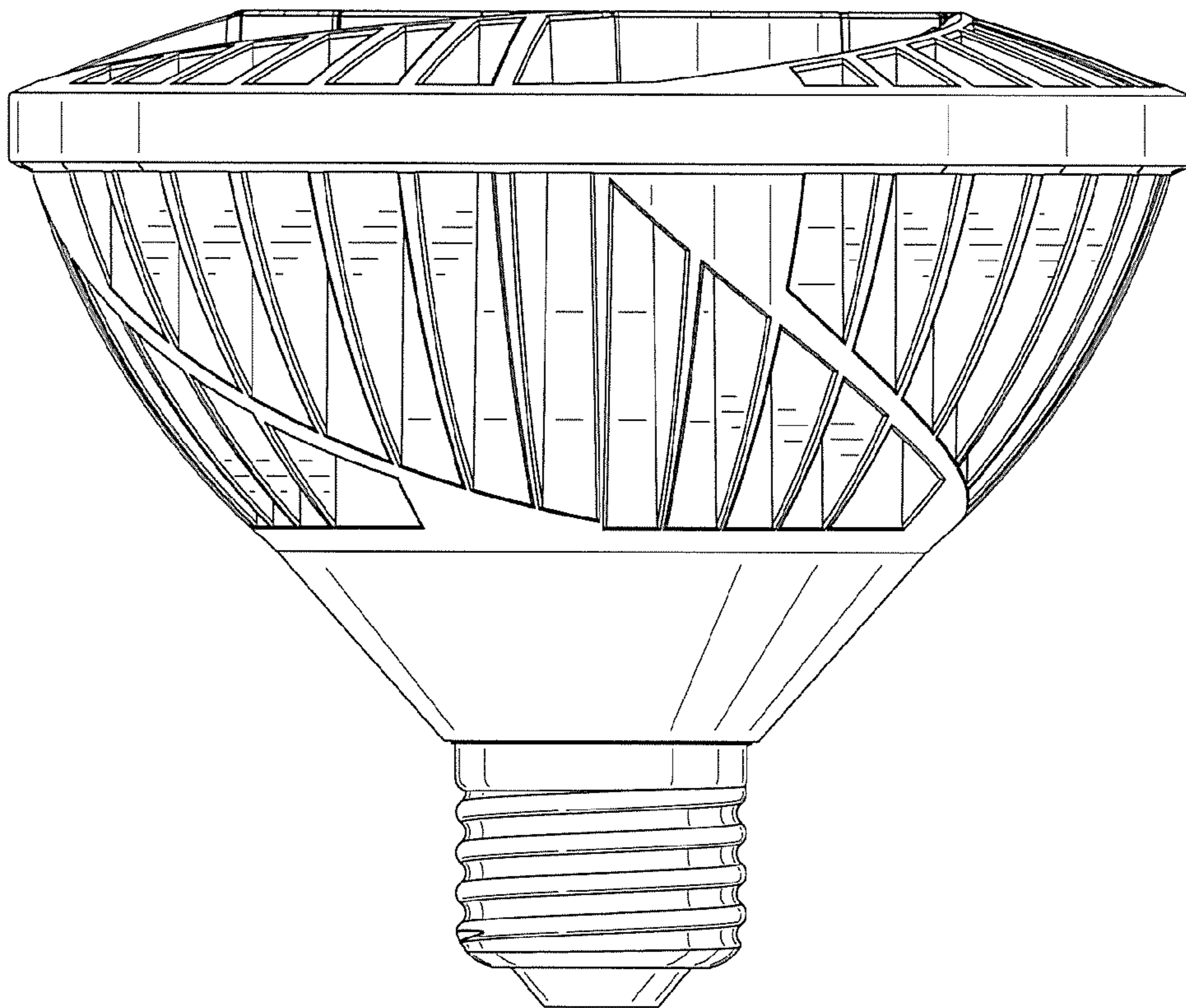


FIG. 12

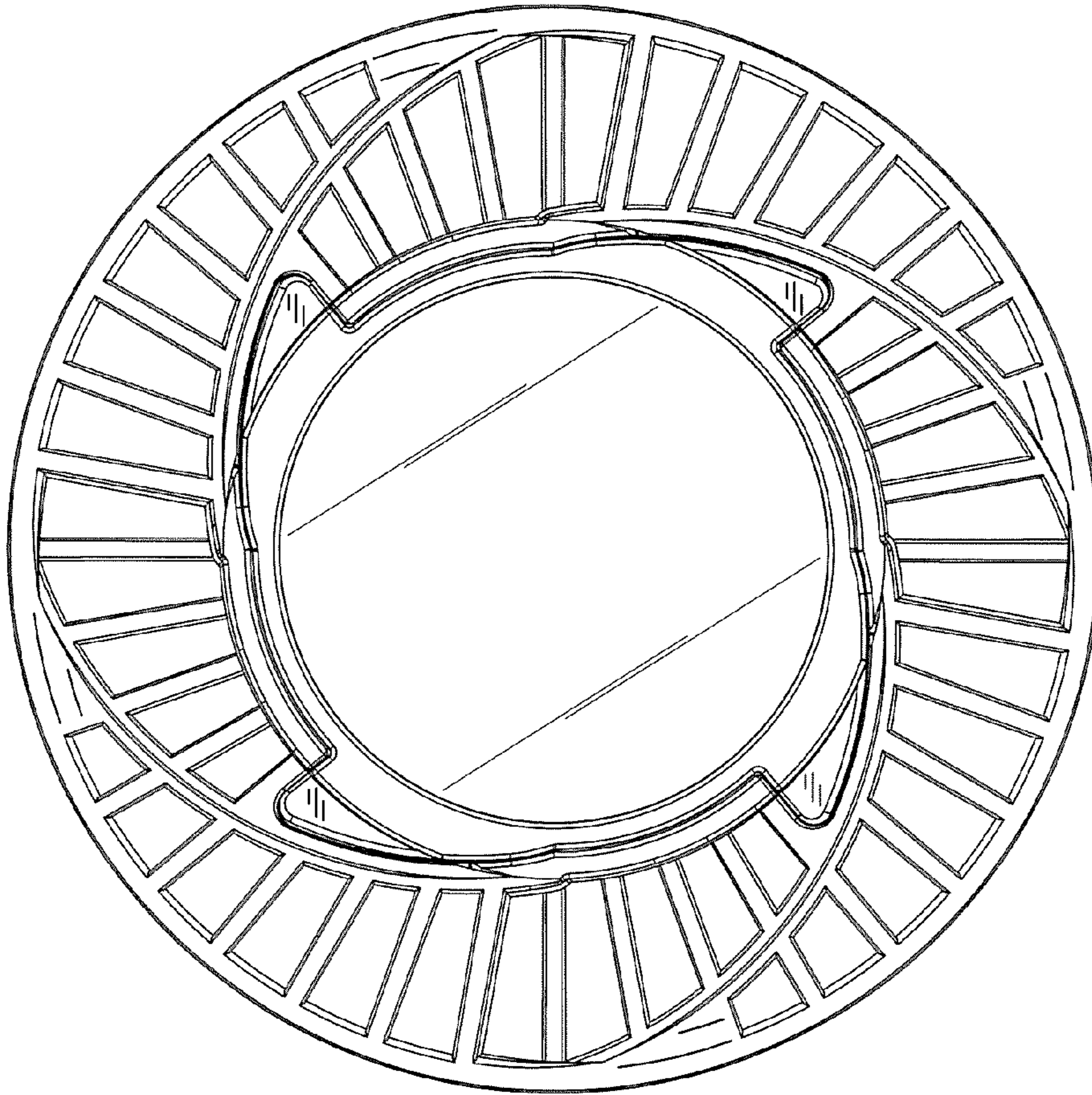


FIG. 13

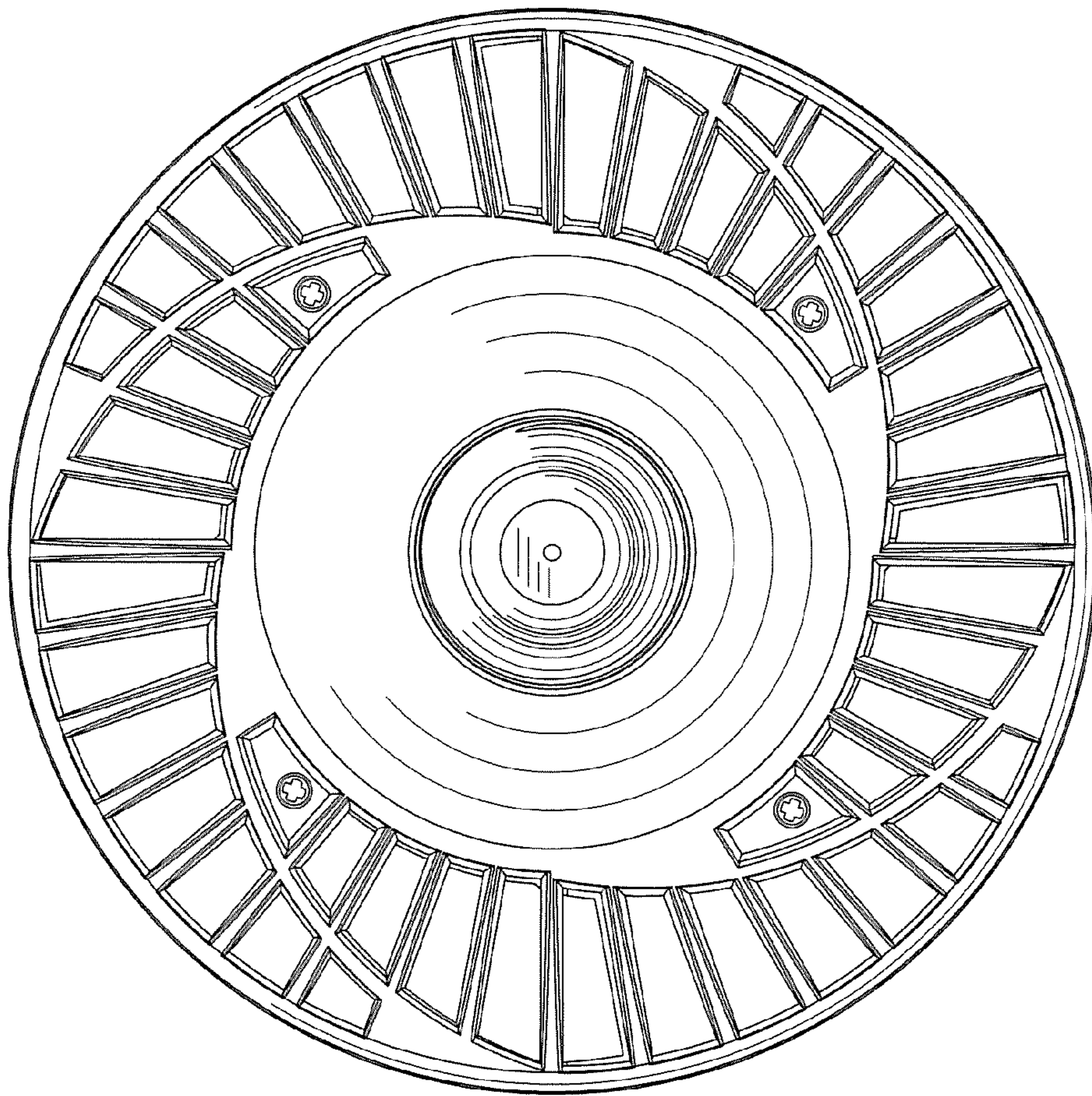


FIG. 14

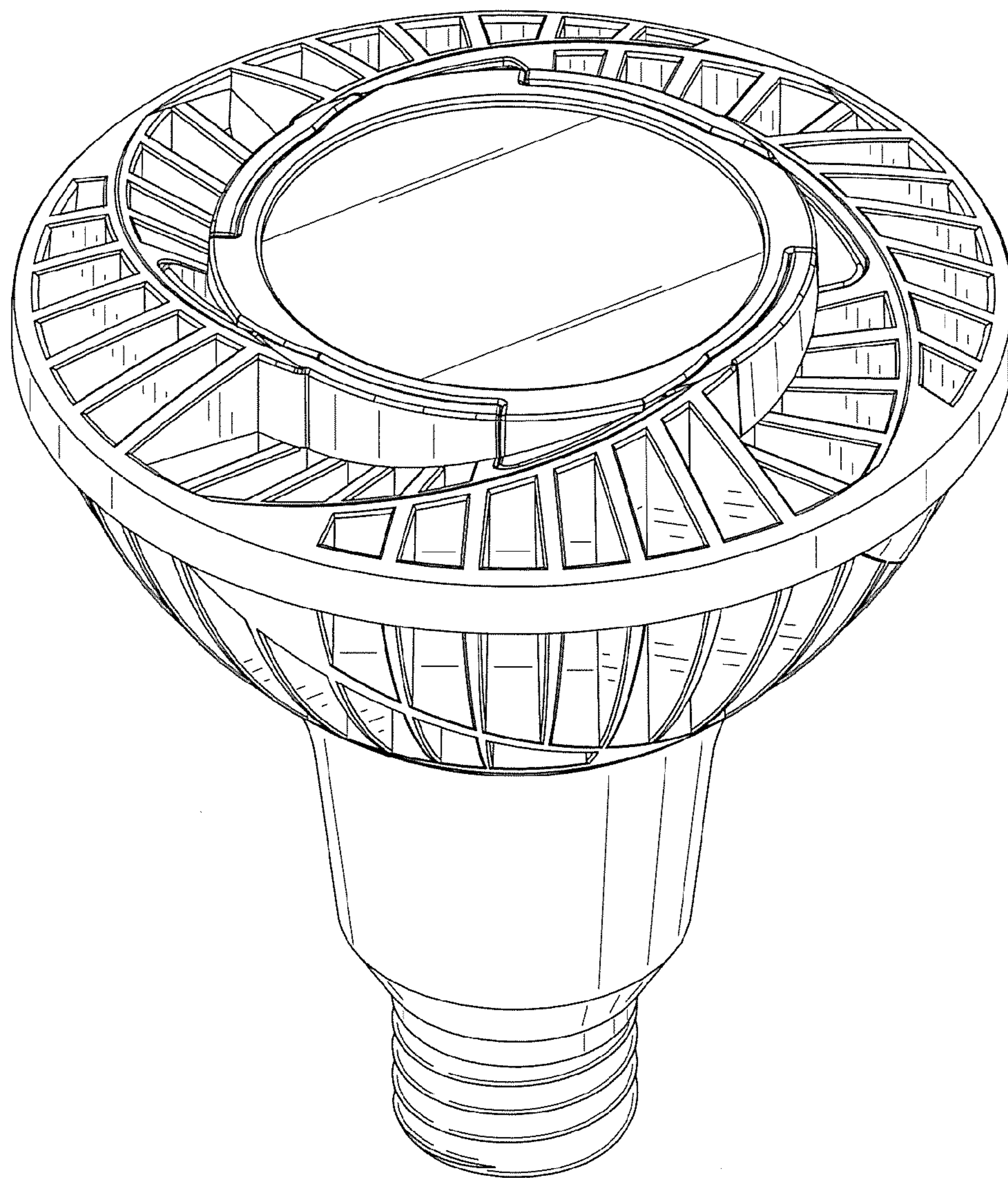


FIG. 15

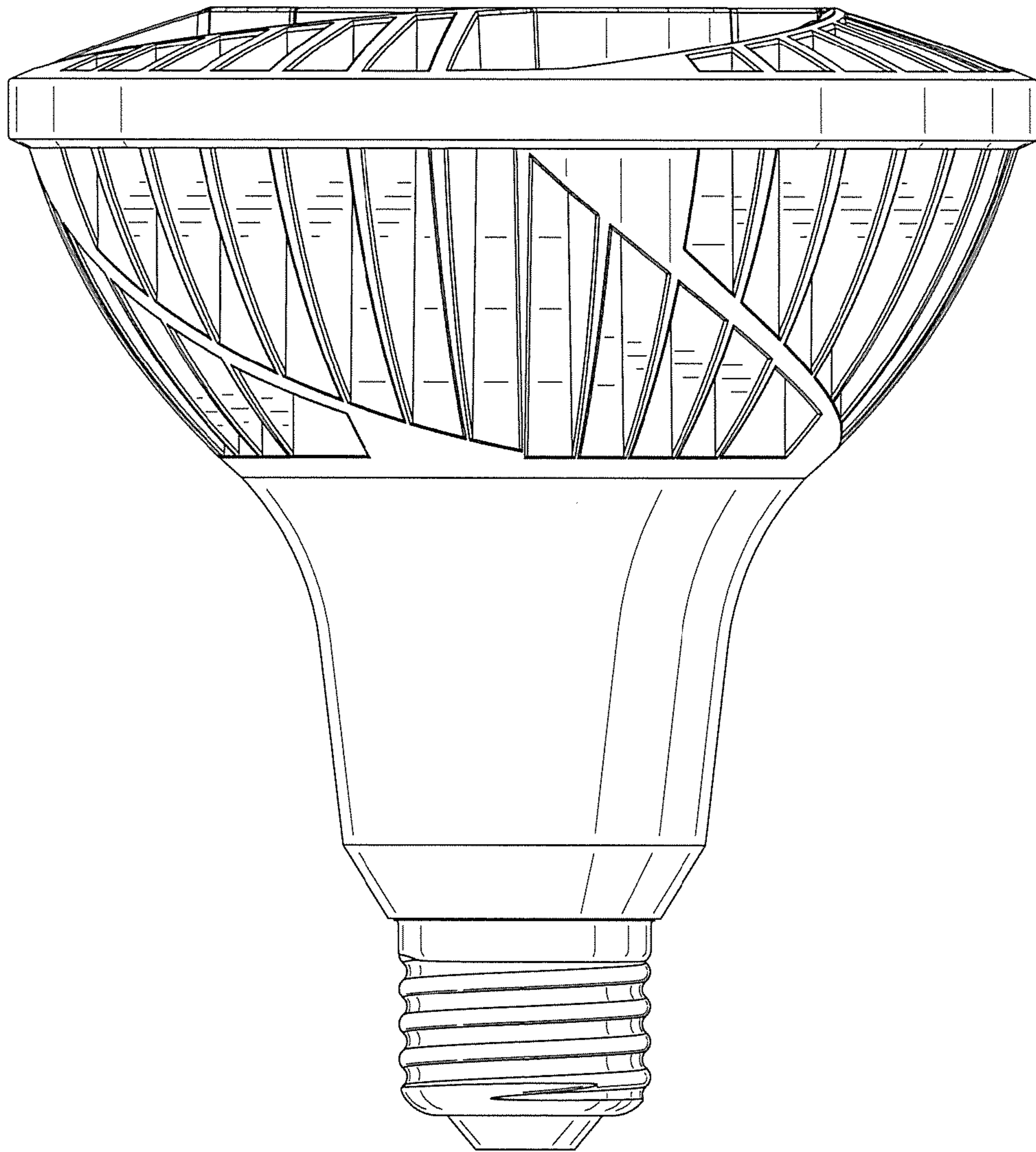


FIG. 16

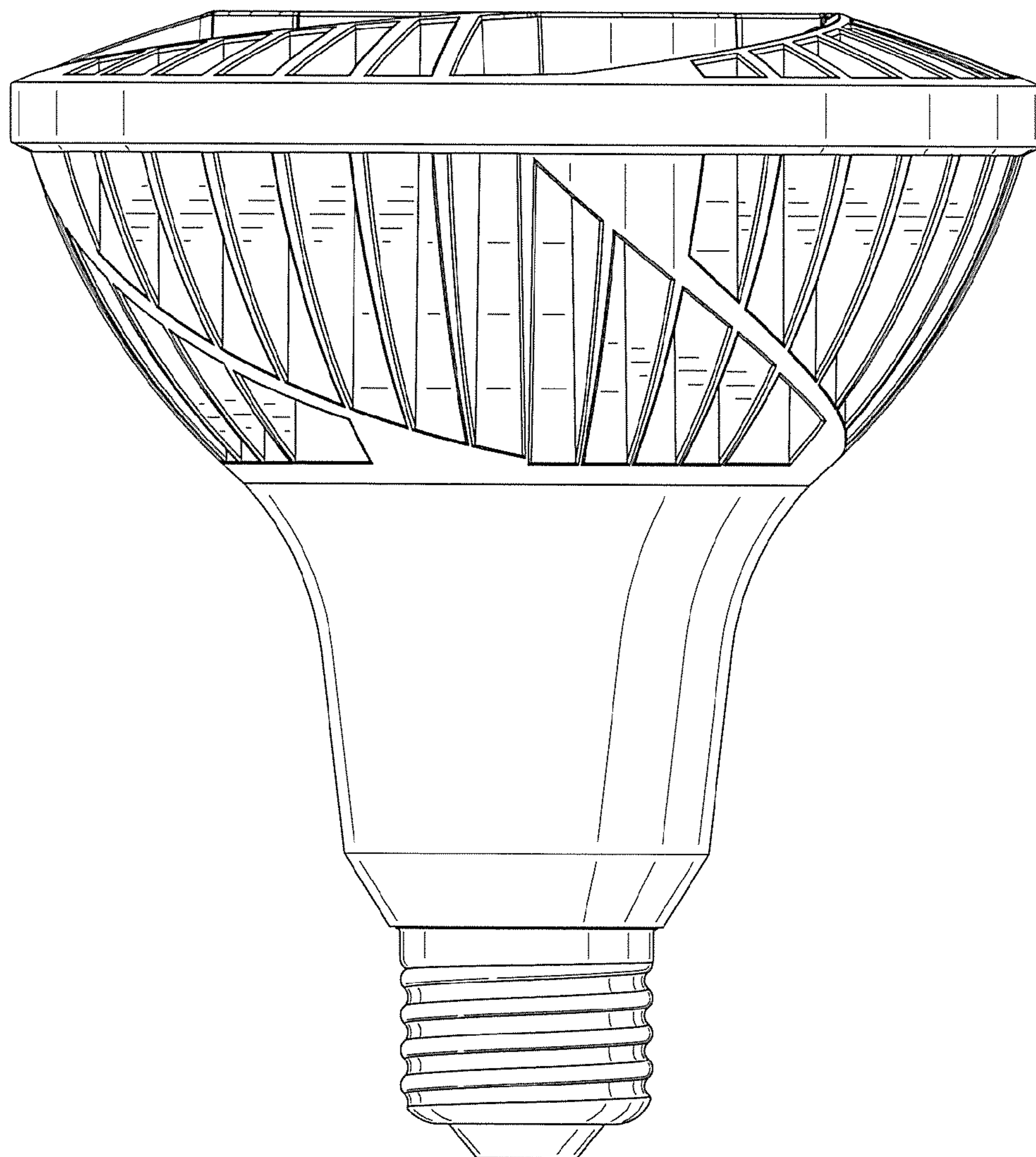


FIG. 17

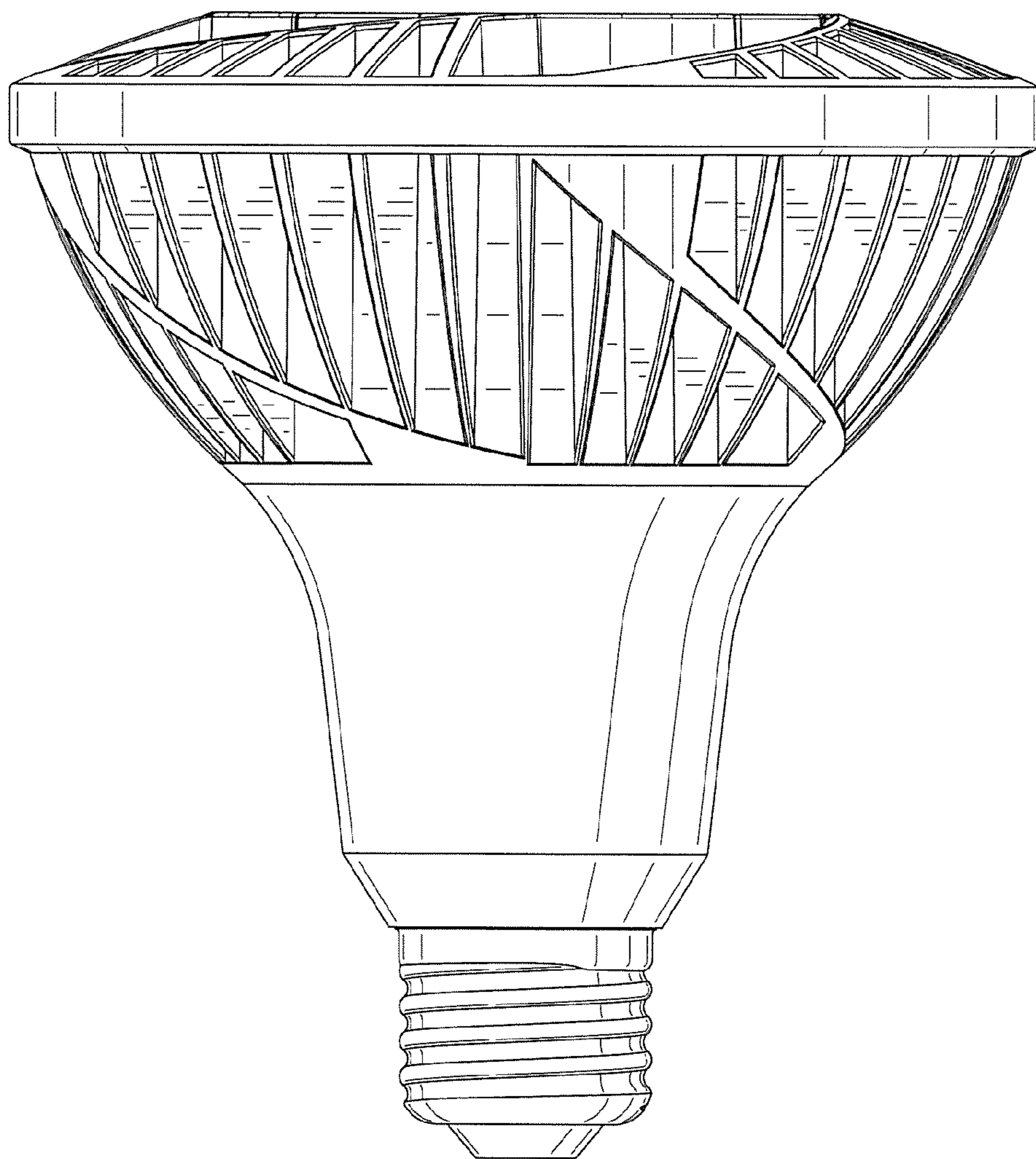


FIG. 18

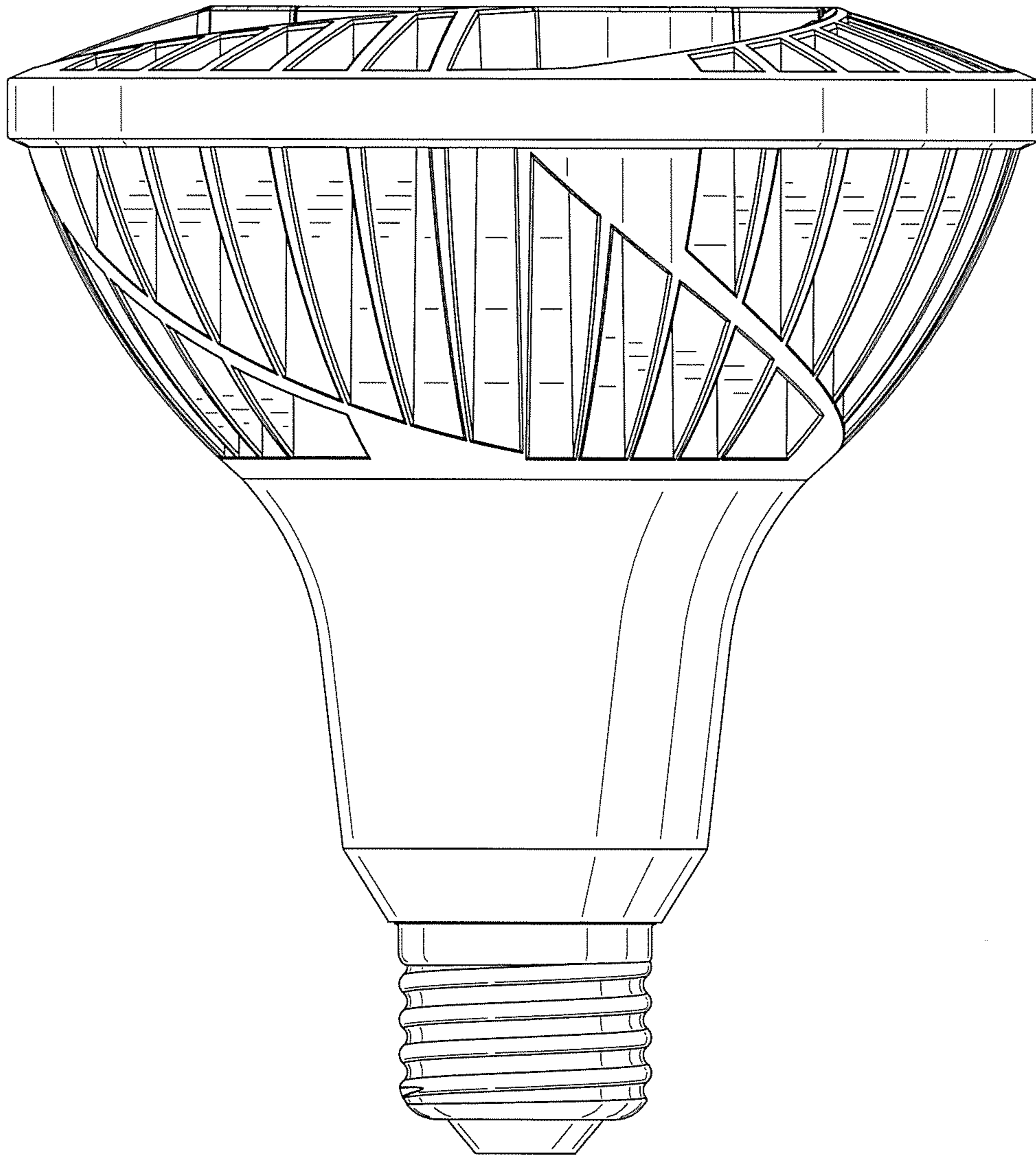


FIG. 19

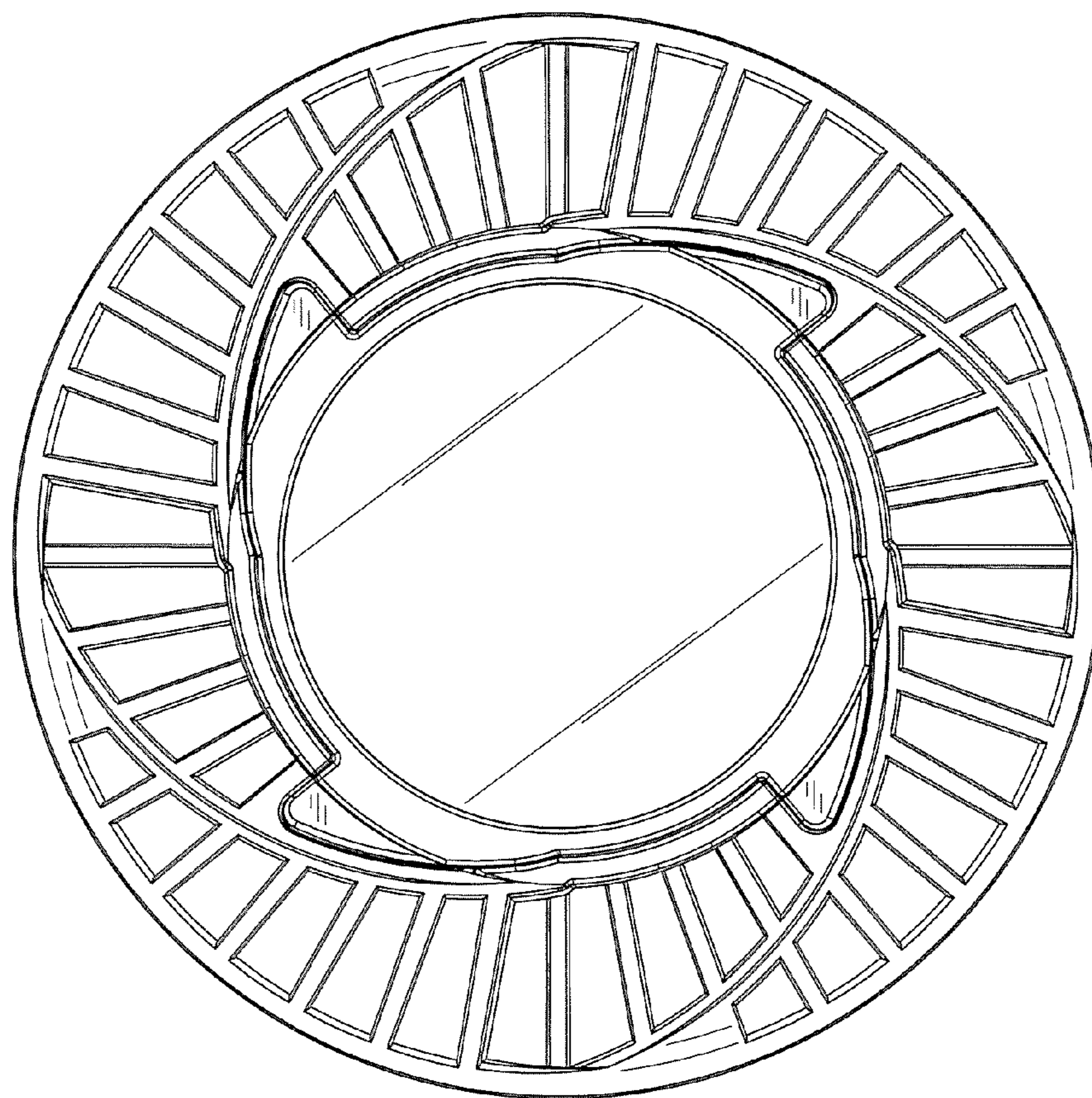


FIG. 20

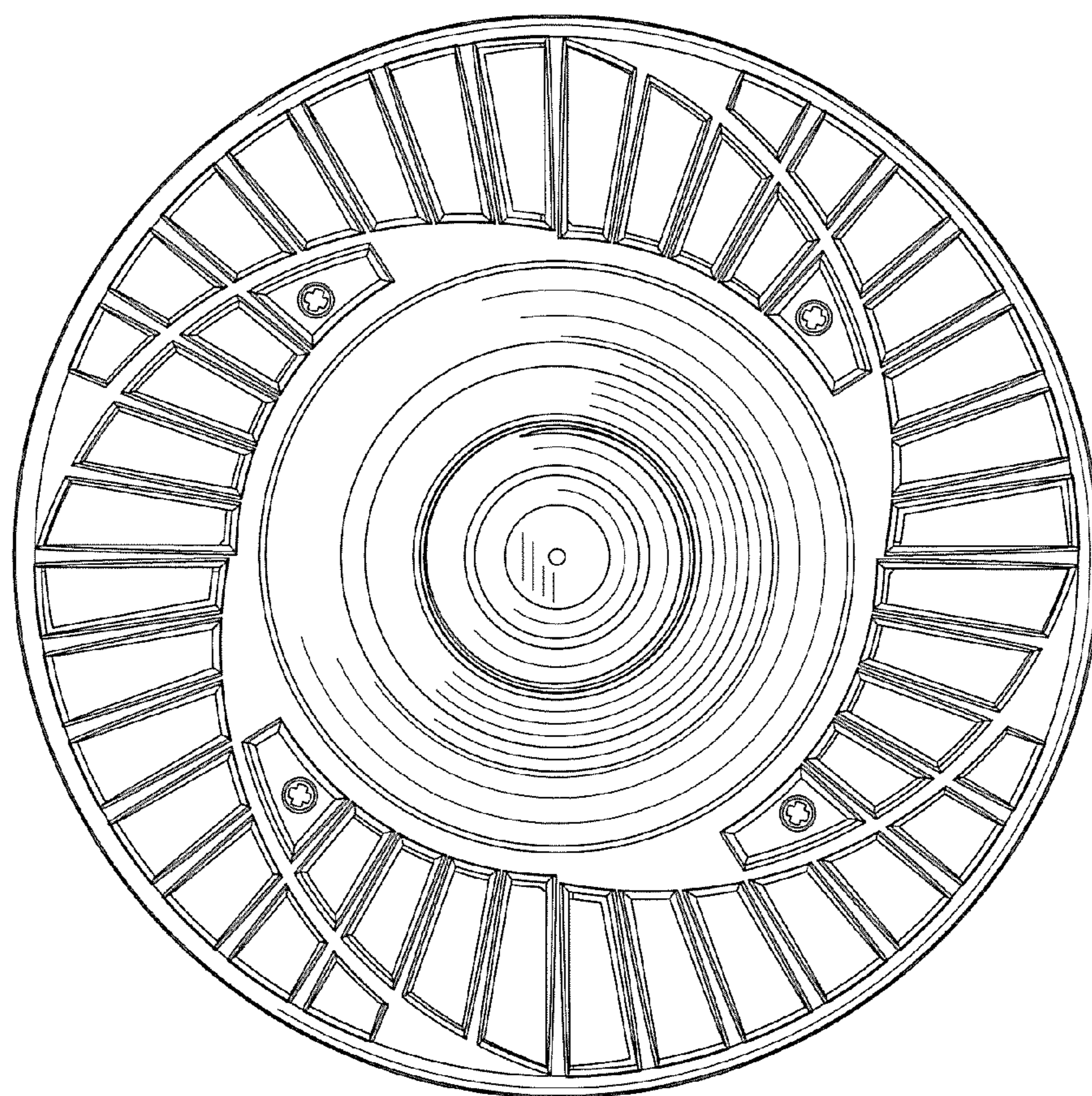


FIG. 21

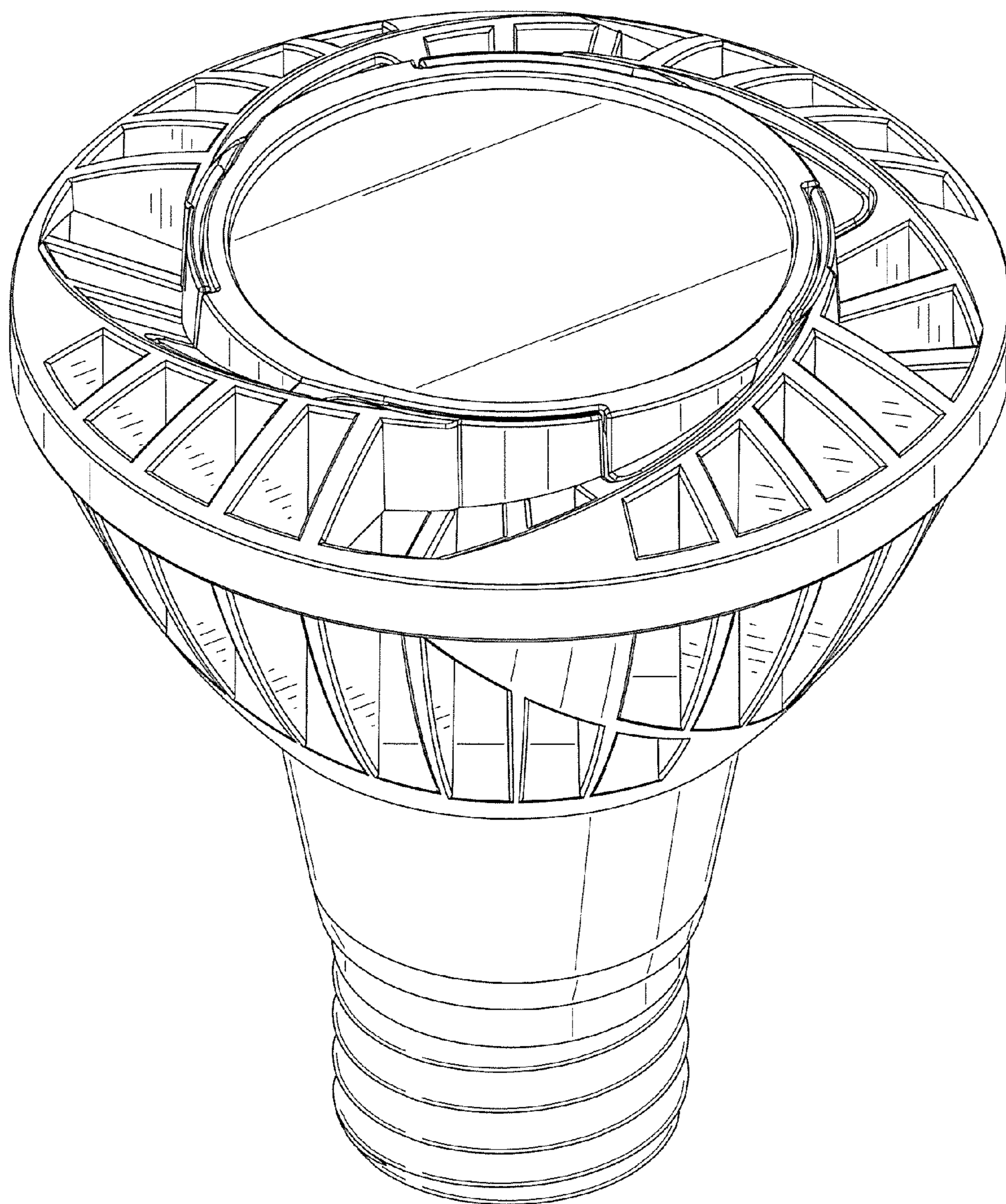


FIG. 22

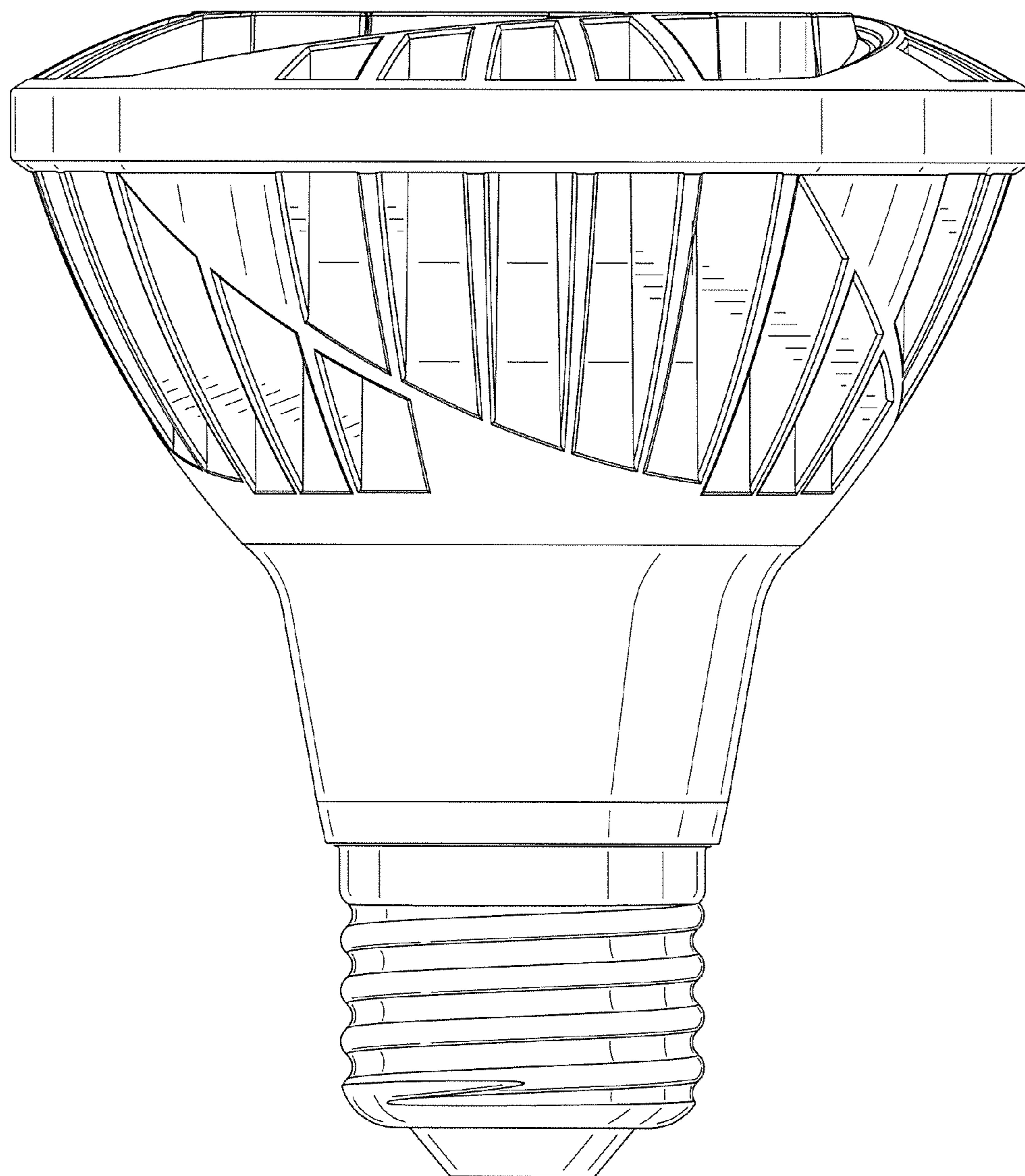


FIG. 23

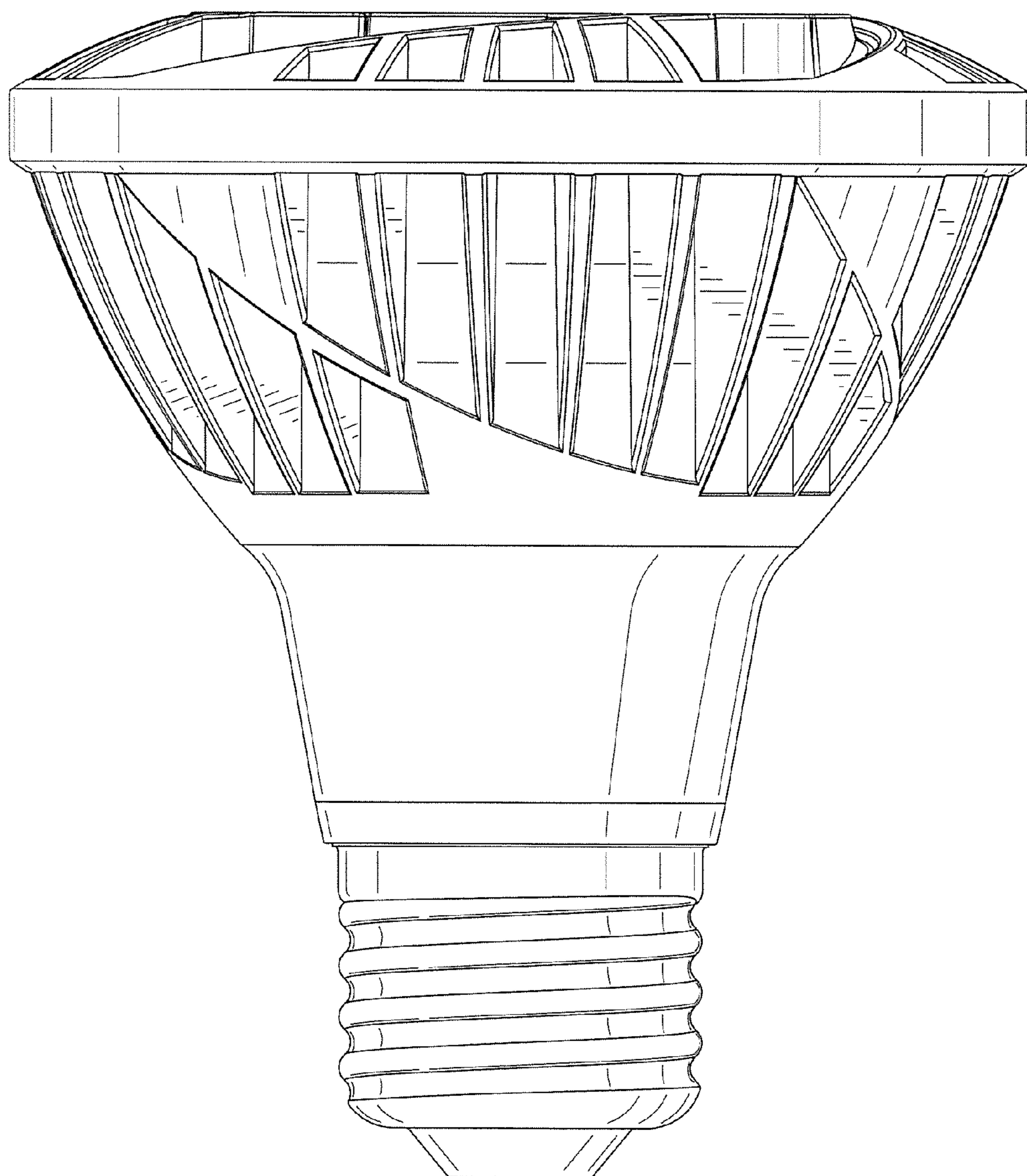


FIG. 24

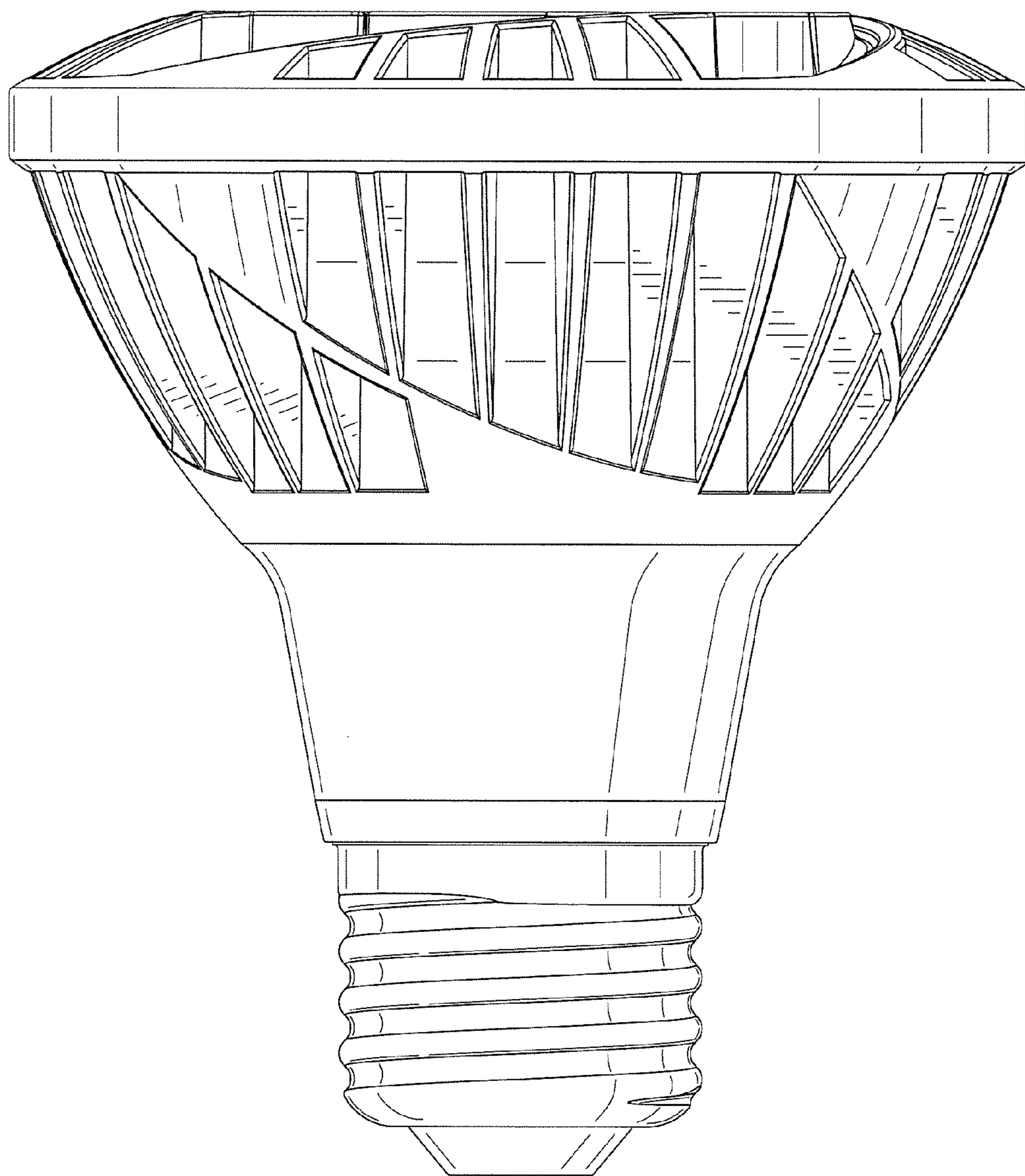


FIG. 25

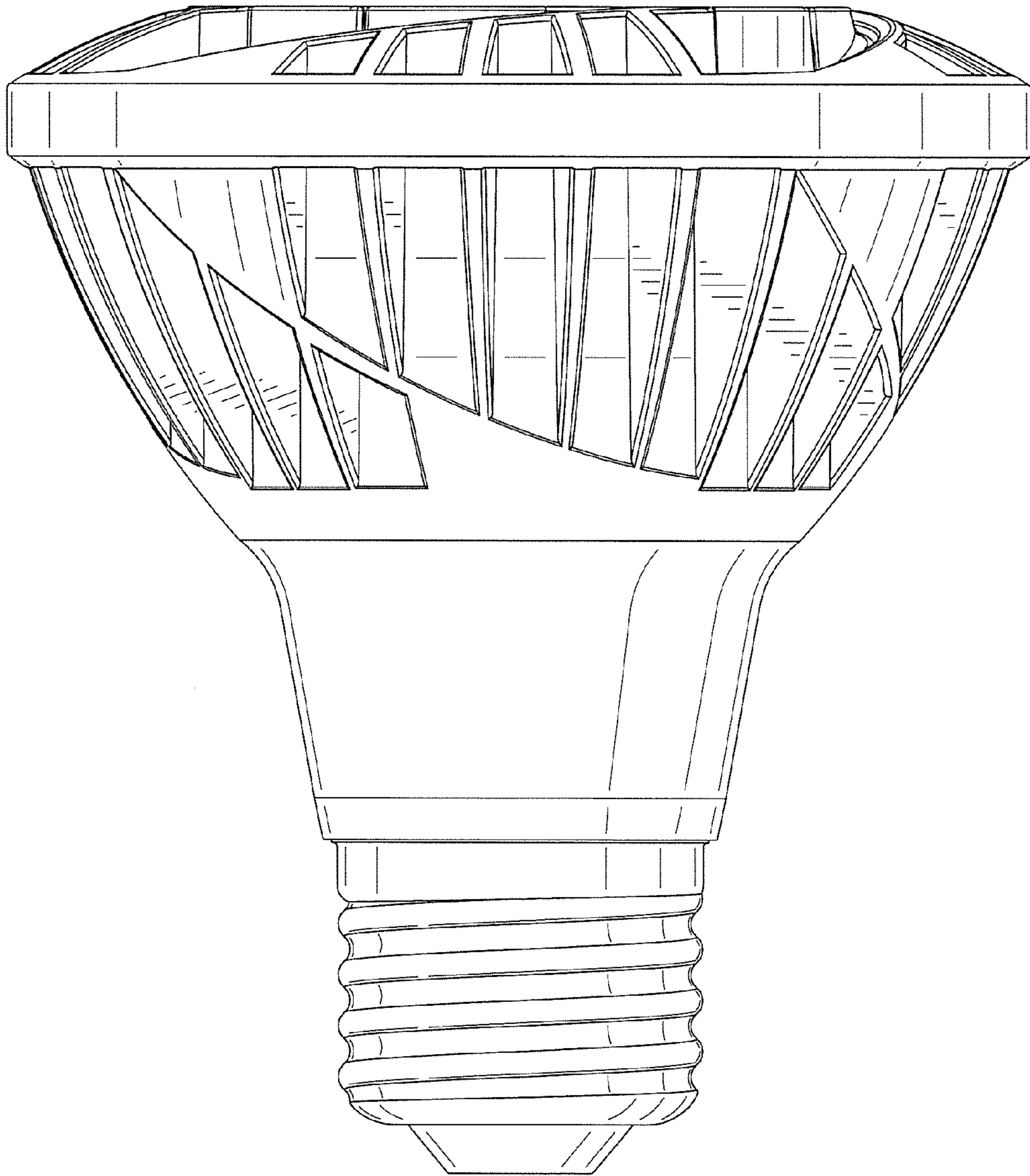


FIG. 26

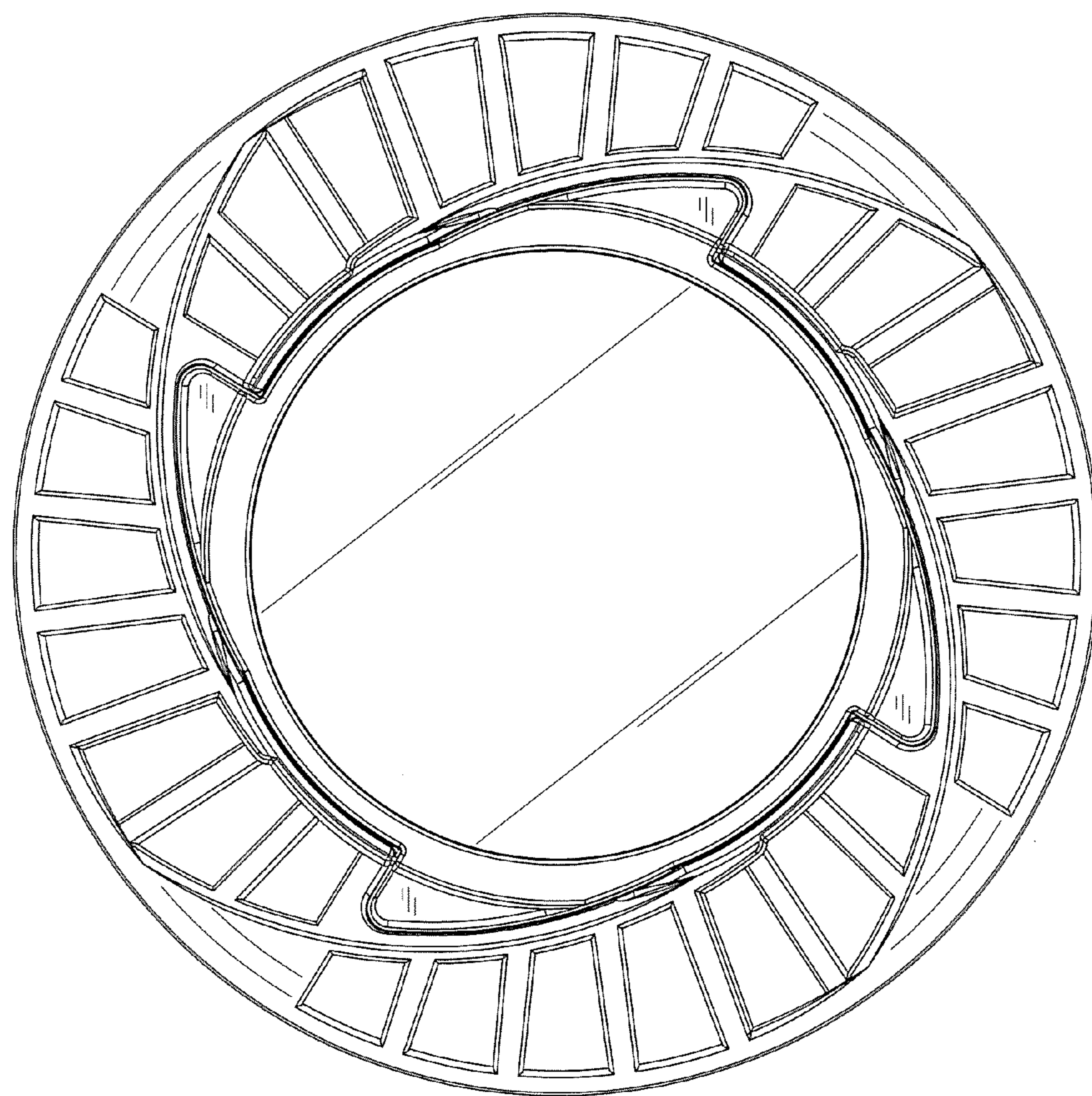


FIG. 27

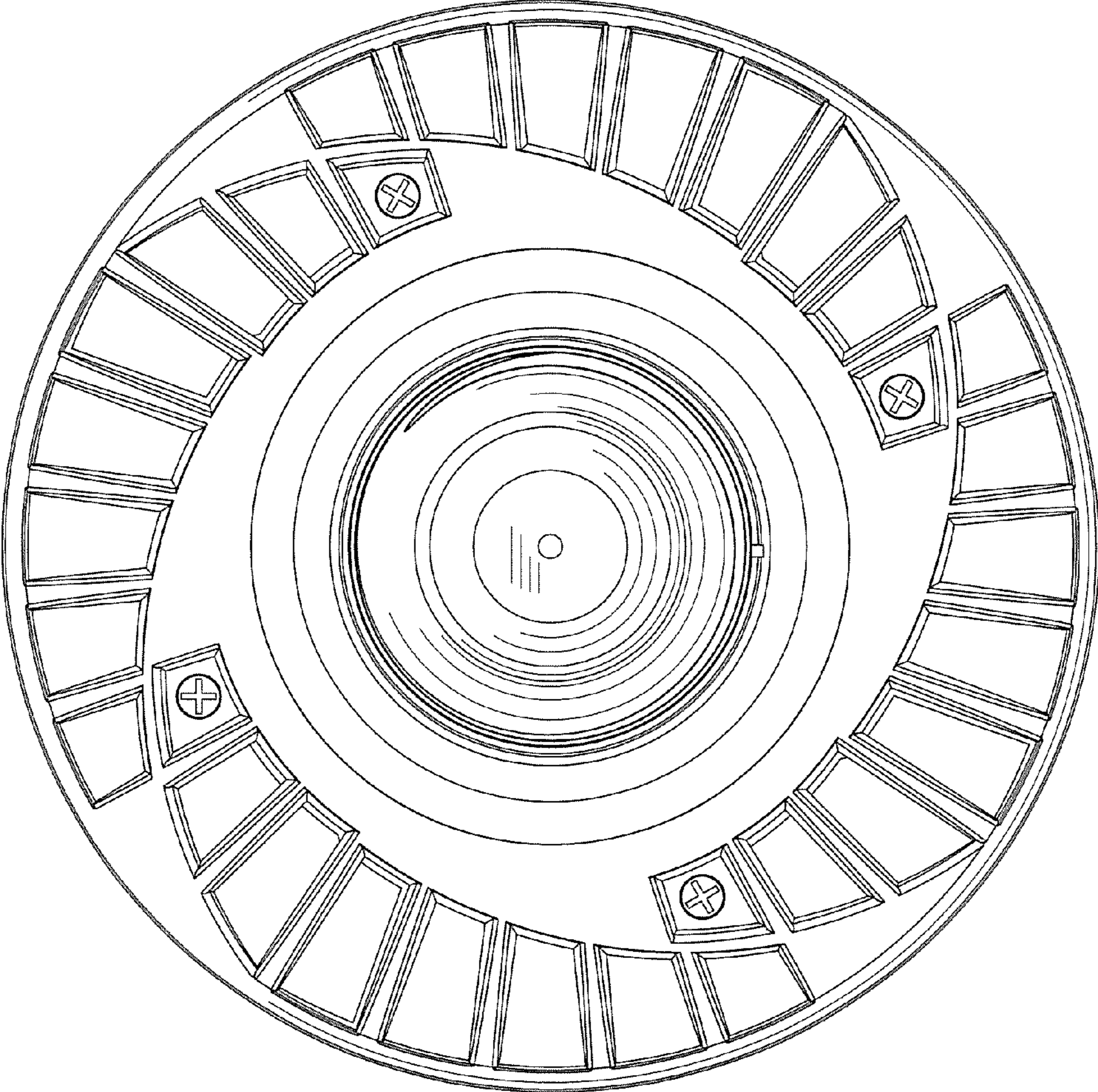


FIG. 28