



US00D694914S

(12) **United States Design Patent**
MacDonald

(10) **Patent No.:** **US D694,914 S**
(45) **Date of Patent:** **** Dec. 3, 2013**

(54) **LANDSCAPING BLOCK**
(75) Inventor: **Robert A. MacDonald**, Plymouth, MN
(US)
(73) Assignee: **Keystone Retaining Wall Systems**
LLC, West Chester, OH (US)
(**) Term: **14 Years**
(21) Appl. No.: **29/417,050**

D384,168 S 9/1997 Stevenson
D387,434 S 12/1997 Dawson
D391,376 S 2/1998 Strand et al.
D397,230 S 8/1998 Forsberg
D397,451 S 8/1998 Stevenson
D397,808 S 9/1998 Dawson
5,865,006 A 2/1999 Dawson
5,913,790 A 6/1999 Dawson
D417,506 S 12/1999 Harding
D428,499 S * 7/2000 Bazzocchi D25/113
D429,004 S 8/2000 Strand et al.
D430,308 S 8/2000 Dawson

(Continued)

(22) Filed: **Mar. 29, 2012**
(51) **LOC (9) Cl.** **25-01**
(52) **U.S. Cl.**
USPC **D25/113**
(58) **Field of Classification Search**
USPC D25/102-118, 136, 138, 140, 151, 152,
D25/153, 156-162, 164; D21/484-491,
D21/499-504; 405/16, 284, 286;
52/503-505, 574, 575, 596-612;
404/27-42
See application file for complete search history.

FOREIGN PATENT DOCUMENTS

CH 663 437 A5 12/1987
WO WO 2009/052302 A2 4/2009

OTHER PUBLICATIONS

Abstract of CH 663 437 A5 (1 page).

Primary Examiner — Anhdao Doan
(74) *Attorney, Agent, or Firm* — Popovich, Wiles &
O'Connell, P.A.

(56) **References Cited**
U.S. PATENT DOCUMENTS

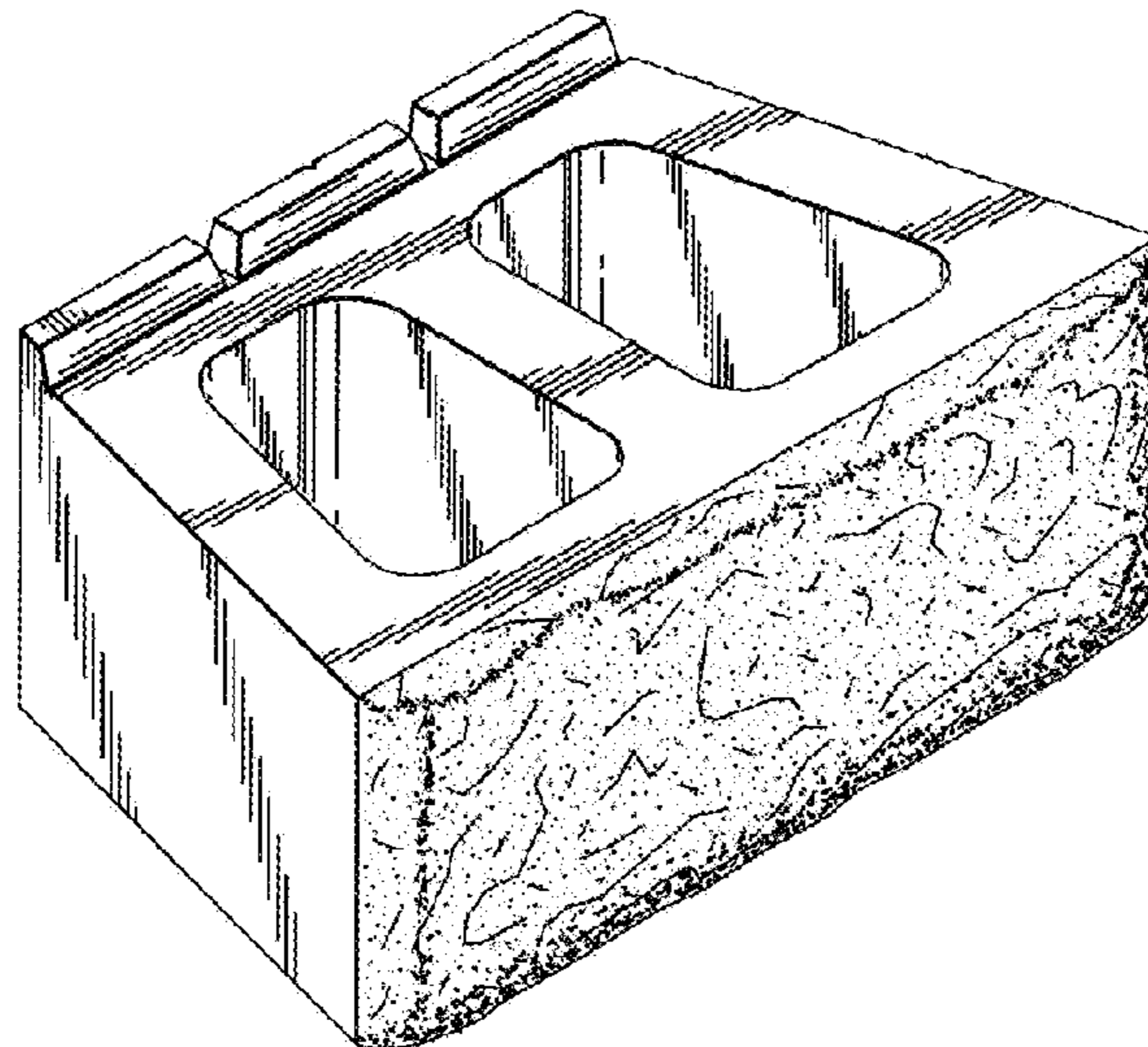
1,334,599 A 3/1920 Cusick
1,419,805 A 6/1922 Bigler
2,313,363 A 3/1943 Schmitt
4,909,717 A 3/1990 Pardo
4,920,712 A 5/1990 Dean, Jr.
5,017,049 A 5/1991 Sievert
D343,461 S * 1/1994 Powell D25/114
5,294,216 A 3/1994 Sievert
D350,402 S 9/1994 Pribyl et al.
D363,787 S * 10/1995 Powell D25/118
5,484,236 A 1/1996 Gravier
5,568,994 A 10/1996 Dawson
5,598,679 A 2/1997 Orton et al.
5,601,384 A 2/1997 Dawson
D380,560 S 7/1997 Forsberg
D381,086 S 7/1997 Forsberg

(57) **CLAIM**
The ornamental design for a landscaping block, as shown and described.

DESCRIPTION

FIG. 1 is a front top perspective view of a landscaping block according to my new design;
FIG. 2 is a front bottom perspective view thereof;
FIG. 3 is a top plan view thereof;
FIG. 4 is a bottom plan view thereof;
FIG. 5 is a front elevational view thereof;
FIG. 6 is a rear elevational view thereof;
FIG. 7 is a left side view thereof; and,
FIG. 8 is a right side view thereof.

1 Claim, 2 Drawing Sheets



(56)

References Cited

U.S. PATENT DOCUMENTS

6,149,352 A	11/2000	MacDonald	7,641,178 B2	1/2010	MacDonald et al.
6,312,197 B1	11/2001	Woolford et al.	D610,710 S	2/2010	LaCroix et al.
D458,693 S	6/2002	Sievert	7,654,776 B2	2/2010	MacDonald et al.
6,464,432 B1 *	10/2002	Shaw 405/286	D620,615 S	7/2010	MacDonald et al.
6,536,994 B2	3/2003	Race	D621,070 S	8/2010	MacDonald et al.
6,615,561 B2	9/2003	MacDonald et al.	7,780,141 B2	8/2010	Dawson et al.
6,709,201 B2	3/2004	Race	D633,629 S	3/2011	MacDonald et al.
D488,242 S	4/2004	MacDonald	7,934,351 B2	5/2011	Clarno
D488,568 S	4/2004	MacDonald	7,963,727 B1 *	6/2011	Wauhop 405/286
D488,569 S	4/2004	Dawson	7,971,407 B2	7/2011	MacDonald
D490,542 S	5/2004	MacDonald	D650,918 S *	12/2011	Hammer D25/113
6,803,002 B2	10/2004	Suto et al.	D663,858 S *	7/2012	MacDonald D25/113
6,821,058 B1	11/2004	Dawson	2002/0083657 A1 *	7/2002	Mattox et al. 52/605
D501,935 S	2/2005	Dawson et al.	2004/0218985 A1	11/2004	Klettenberg et al.
6,854,231 B2	2/2005	MacDonald et al.	2006/0110223 A1	5/2006	Dawson et al.
6,857,825 B1 *	2/2005	Morrell 405/286	2007/0193181 A1	8/2007	Klettenberg et al.
6,877,290 B2	4/2005	Mason	2008/0277561 A1	11/2008	MacDonald
6,912,823 B2	7/2005	MacDonald et al.	2008/0289282 A1	11/2008	MacDonald
7,037,047 B1 *	5/2006	Tufts et al. 405/286	2008/0302350 A1	12/2008	LaCroix
D530,830 S	10/2006	Collison et al.	2008/0307740 A1	12/2008	MacDonald
7,168,892 B1	1/2007	MacDonald et al.	2008/0313988 A1	12/2008	MacDonald
D539,438 S	3/2007	Price	2009/0120029 A1	5/2009	LaCroix et al.
D551,358 S *	9/2007	Deragon D25/113	2009/0151281 A1	6/2009	MacDonald et al.
D556,919 S *	12/2007	Price D25/116	2009/0188196 A1	7/2009	MacDonald
7,360,970 B2	4/2008	Woolford et al.	2009/0308015 A1	12/2009	MacDonald et al.
7,448,830 B2	11/2008	MacDonald et al.	2009/0313936 A1	12/2009	MacDonald et al.
D587,382 S *	2/2009	Wauhop D25/113	2010/0308502 A1	12/2010	LaCroix et al.
D600,359 S	9/2009	King	2010/0310695 A1	12/2010	LaCroix et al.
			2011/0072753 A1	3/2011	MacDonald
			2011/0217127 A1	9/2011	MacDonald
			2011/0243669 A1	10/2011	Friederichs et al.

* cited by examiner

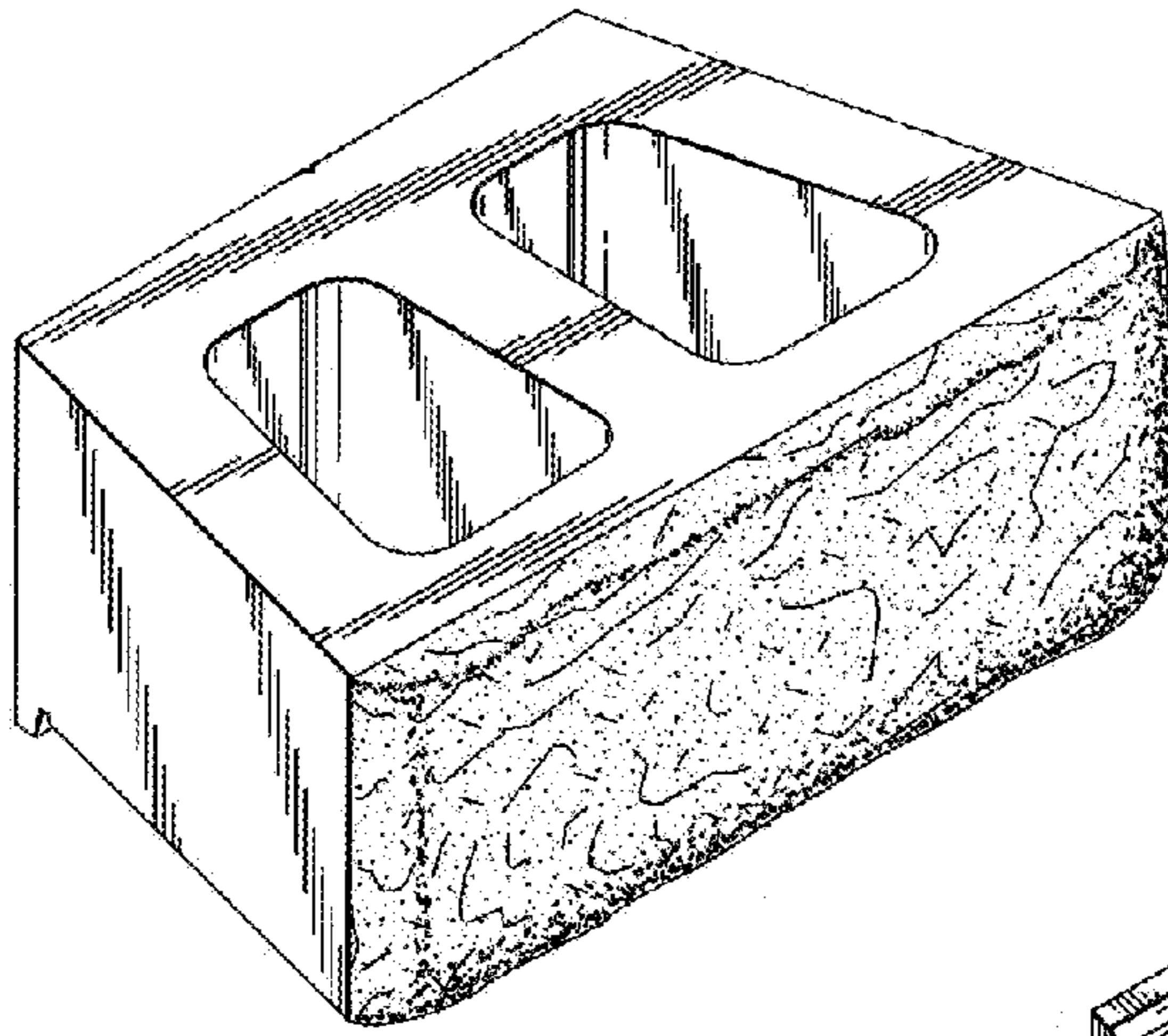


Fig. 1

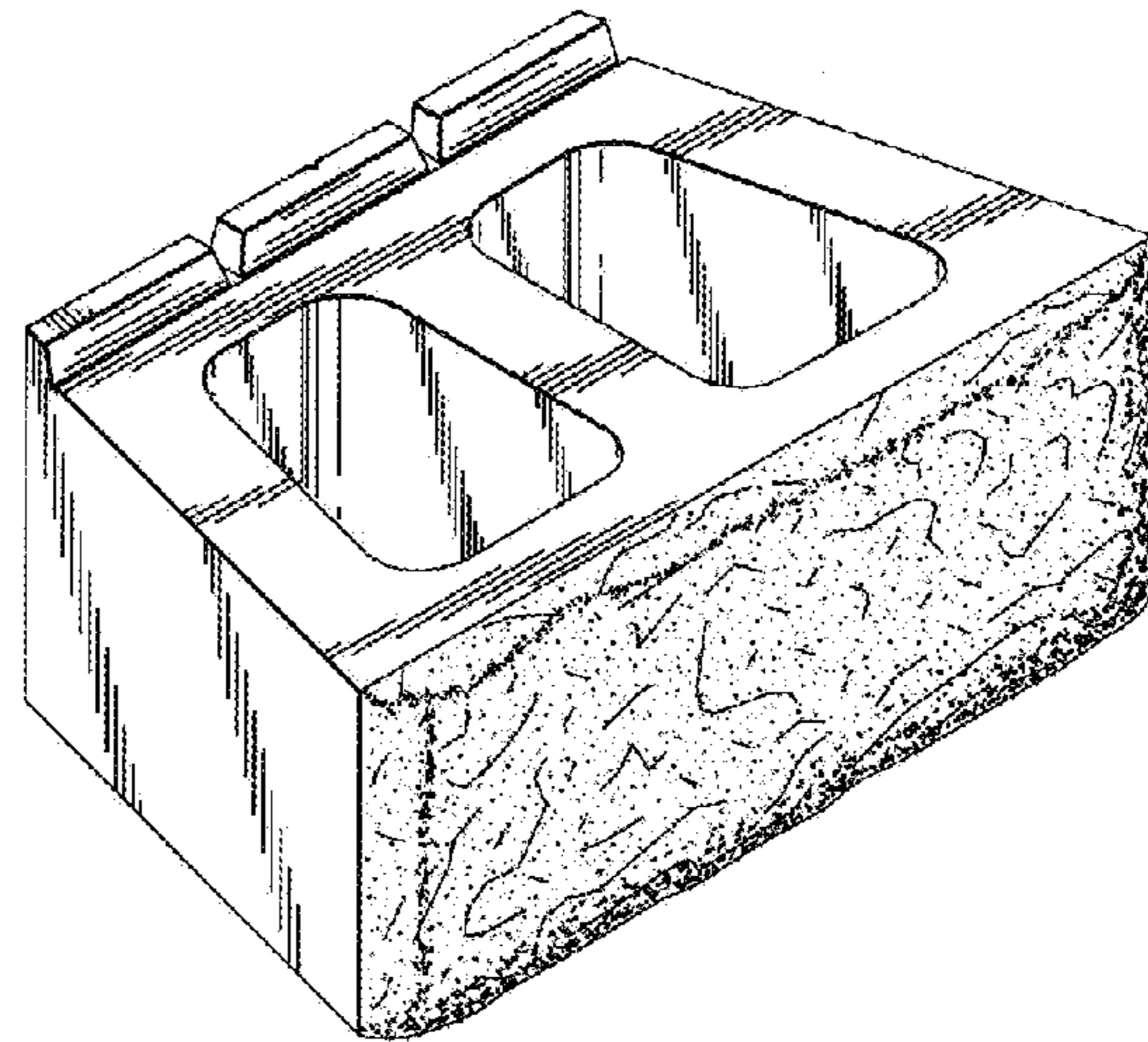


Fig. 2

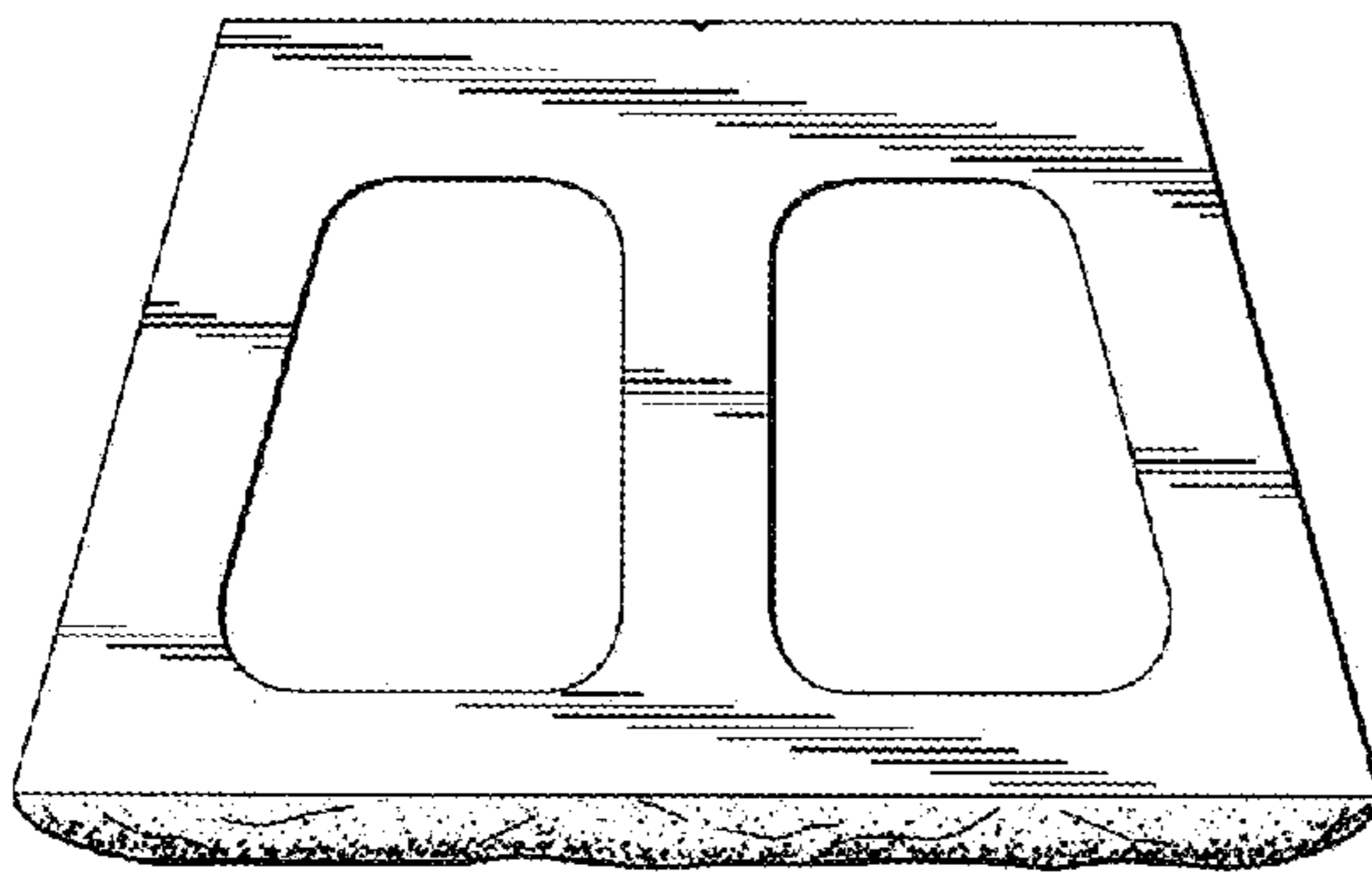


Fig. 3

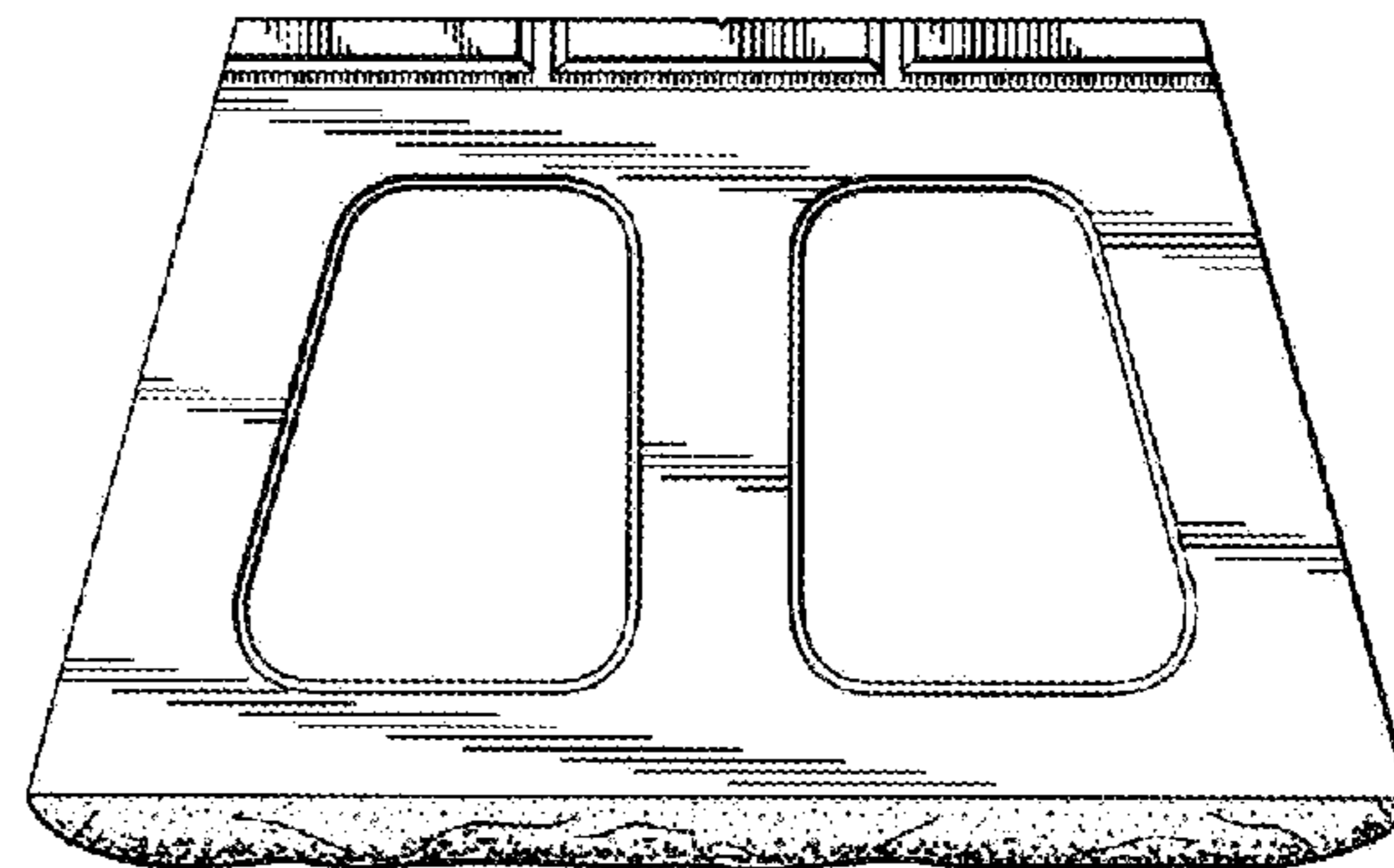


Fig. 4

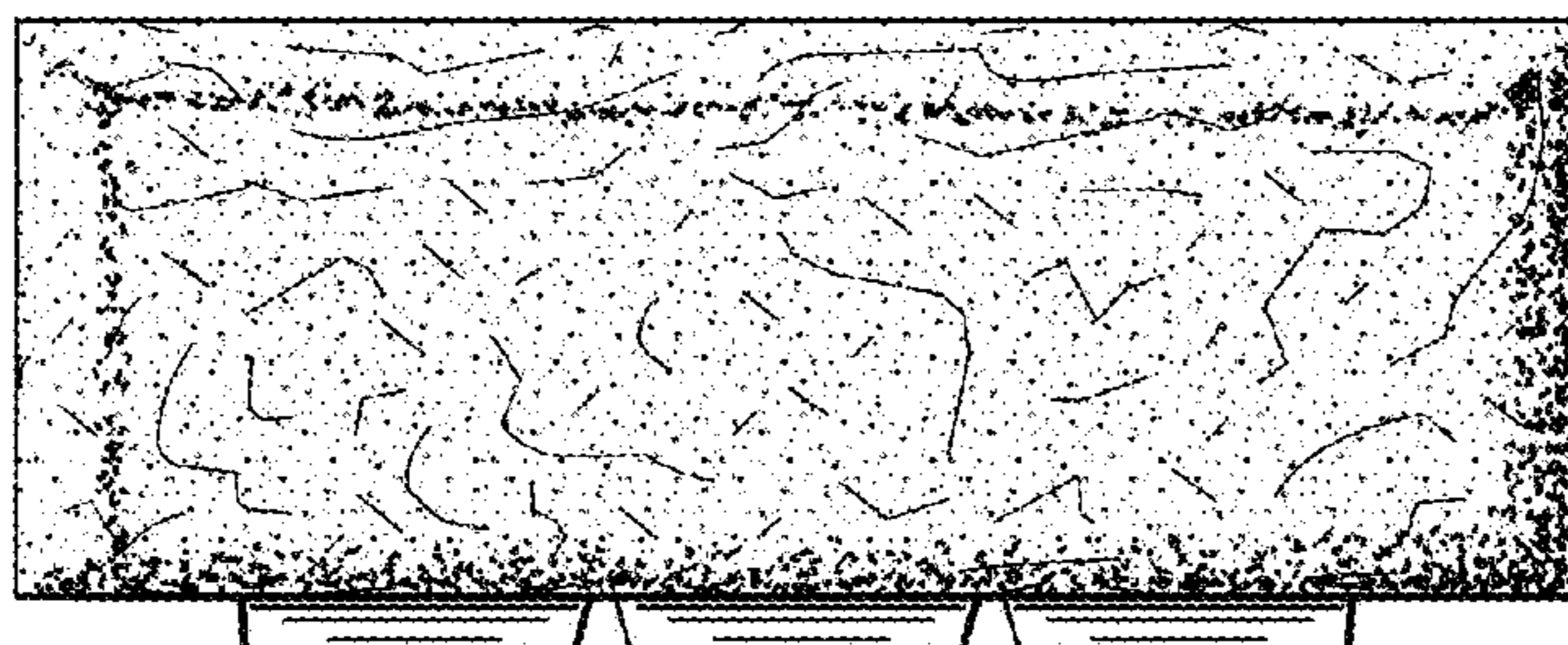


Fig. 5

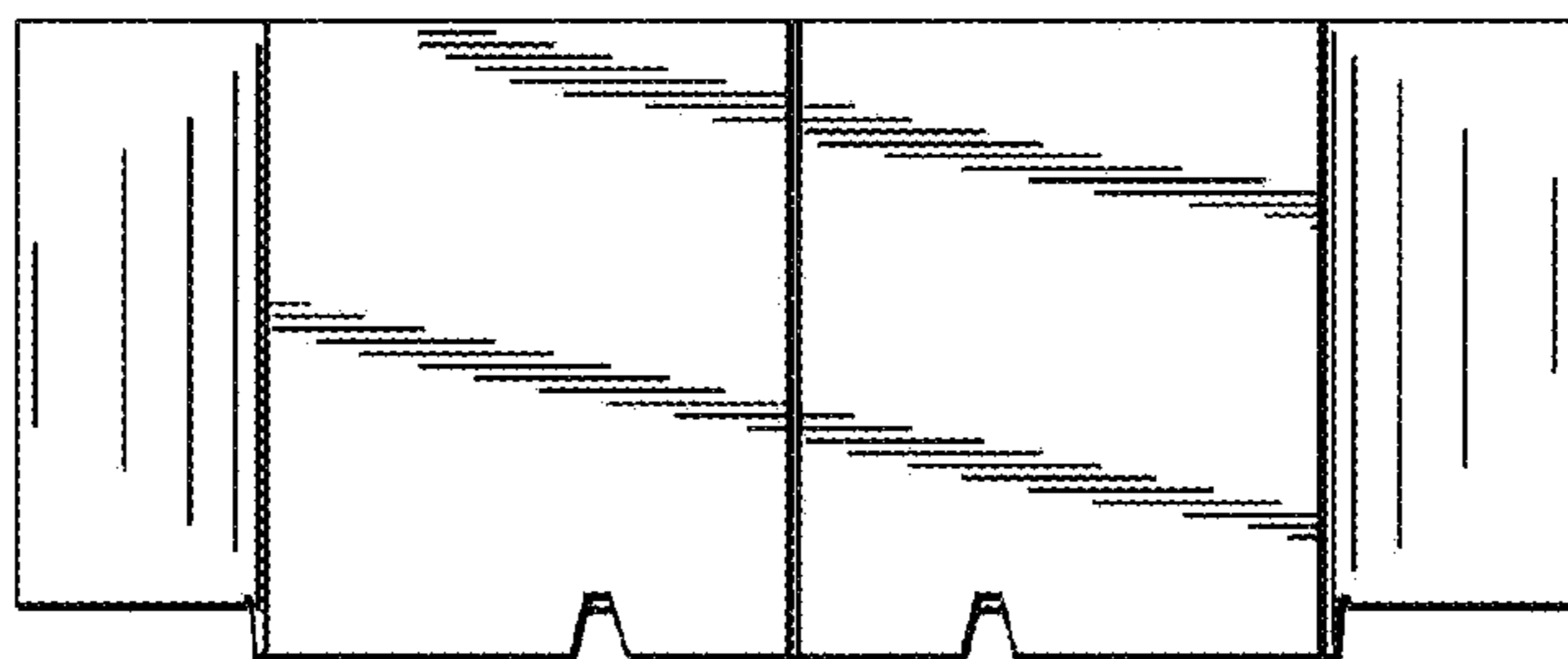


Fig. 6

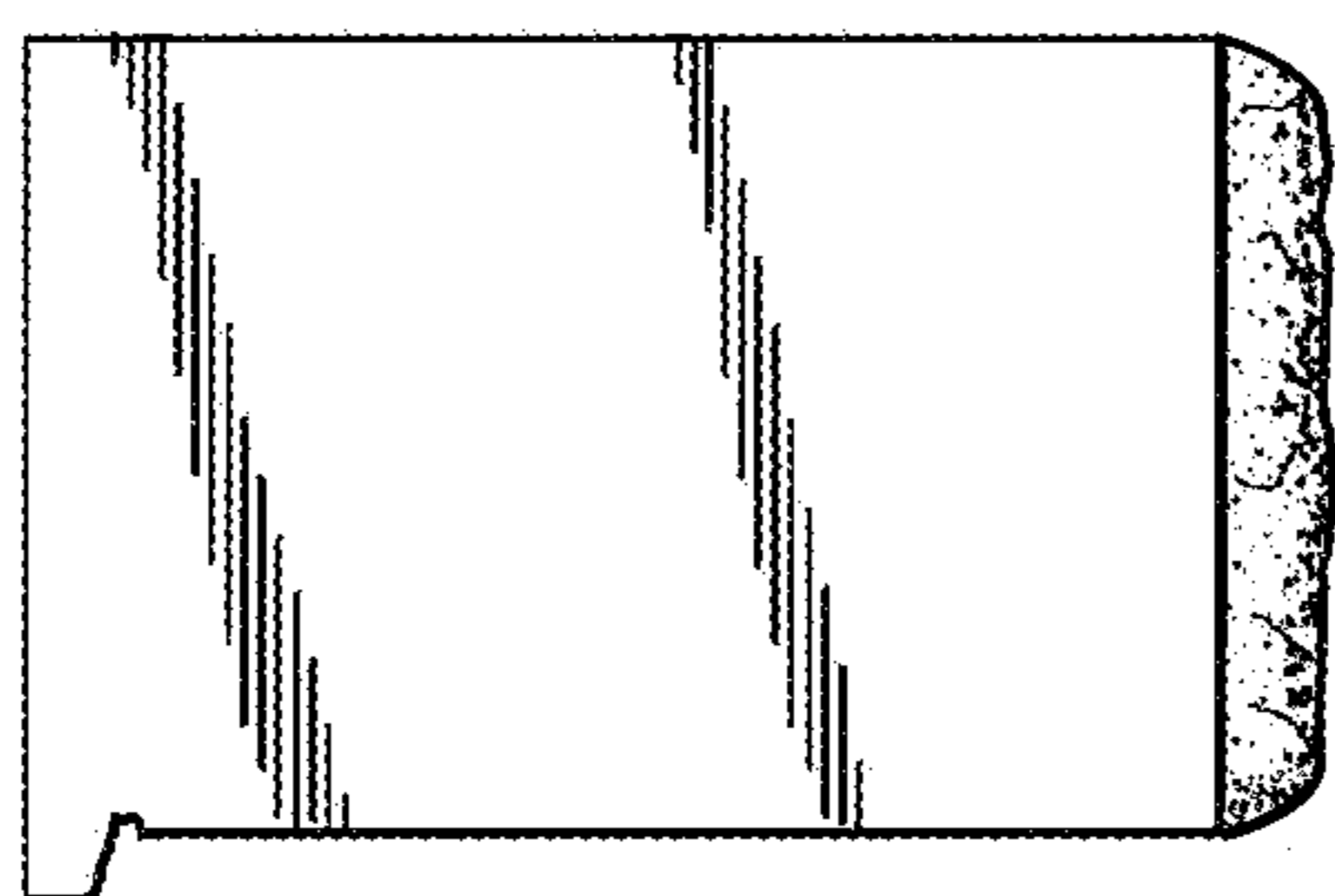


Fig. 7

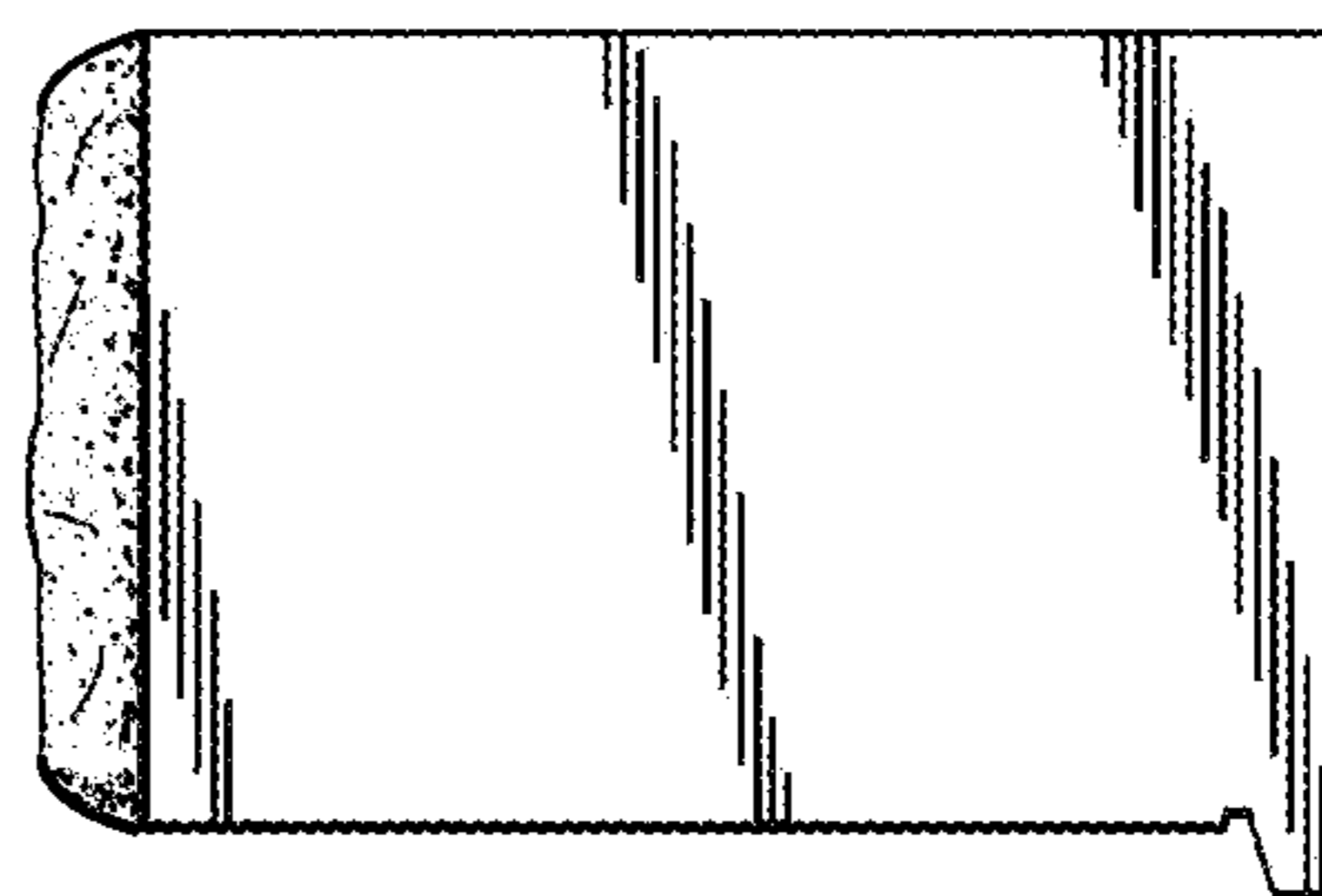


Fig. 8