



US00D694913S

(12) **United States Design Patent**  
**Kopish et al.**

(10) **Patent No.:** **US D694,913 S**  
(45) **Date of Patent:** **\*\* Dec. 3, 2013**

(54) **WALL PANEL**

(75) Inventors: **Andrew J. Kopish**, Green Bay, WI (US);  
**Robert M. Wittl**, De Pere, WI (US);  
**Scott A. Bosman**, Green Bay, WI (US);  
**Joseph D. Vanderlinden**, De Pere, WI  
(US); **Nathan A. Quintal**, De Pere, WI  
(US); **James M. Durand**, De Pere, WI  
(US)

(73) Assignee: **Krueger International, Inc.**, Green Bay,  
WI (US)

(\*\*) Term: **14 Years**

(21) Appl. No.: **29/419,205**

(22) Filed: **Apr. 26, 2012**

(51) **LOC (9) Cl.** ..... **25-01**

(52) **U.S. Cl.**  
USPC ..... **D25/103; D25/138**

(58) **Field of Classification Search**  
USPC ..... D25/58, 103, 138; 52/202, 235, 238.1,  
52/239, 243, 243.1  
See application file for complete search history.

(56) **References Cited**

**U.S. PATENT DOCUMENTS**

3,189,140 A \* 6/1965 Luss ..... 52/204.597  
D405,198 S \* 2/1999 St. Louis ..... D25/138  
6,141,925 A 11/2000 Halvorson, Jr. et al.

D485,368 S \* 1/2004 Hayashi ..... D25/58  
6,688,056 B2 2/2004 Von Hoyningen Huene et al.  
6,761,004 B2 7/2004 Anglin et al.  
D559,408 S \* 1/2008 Dorris ..... D25/103  
7,434,790 B1 10/2008 Hansen  
7,461,484 B2 12/2008 Battey et al.  
2008/0295426 A1 \* 12/2008 Milligan et al. .... 52/238.1

**FOREIGN PATENT DOCUMENTS**

WO 2011/137530 A9 11/2011

\* cited by examiner

*Primary Examiner* — Doris Clark

(74) *Attorney, Agent, or Firm* — Andrus, Scales, Starke &  
Sawall, LLP

(57) **CLAIM**

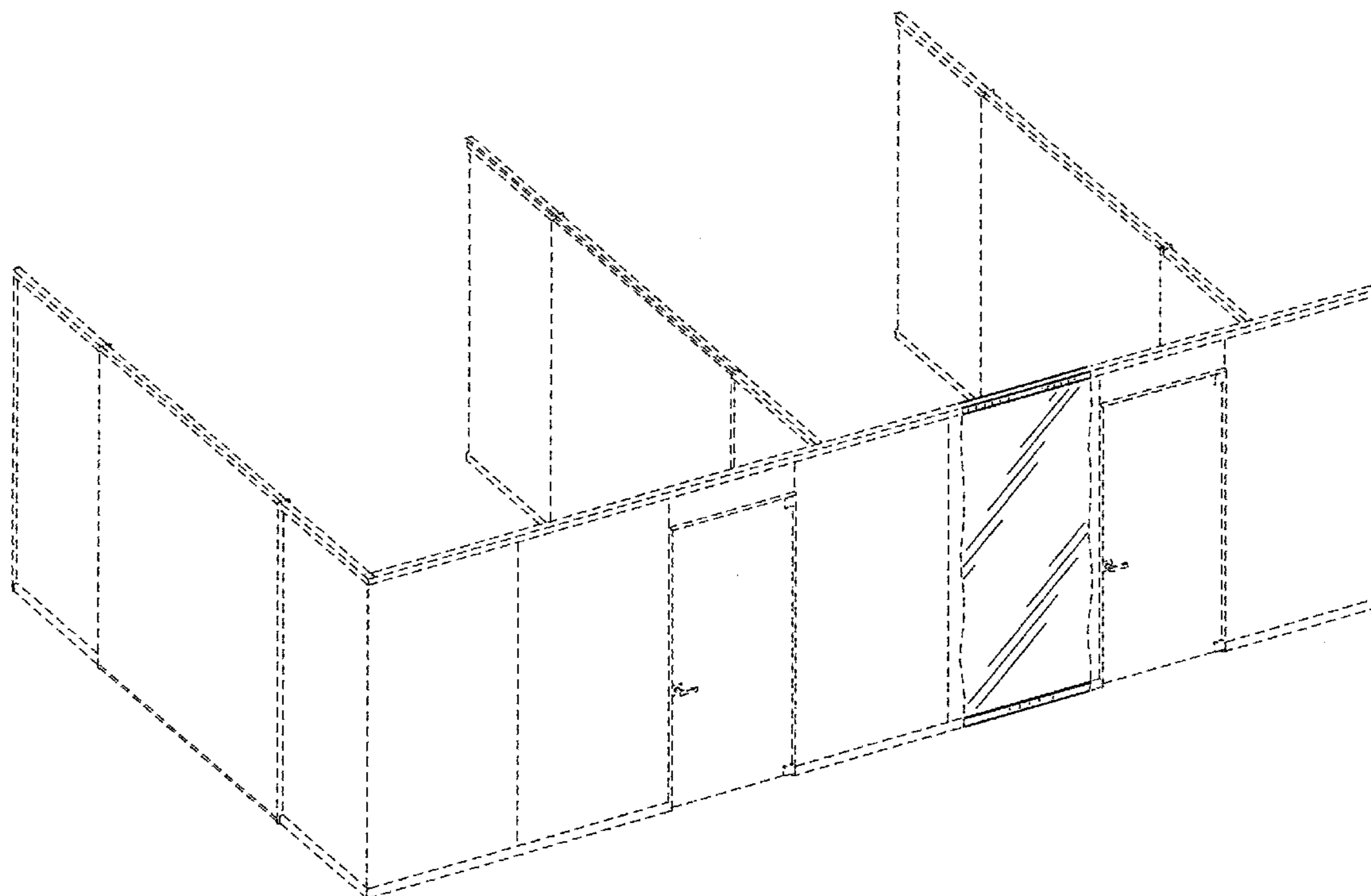
The ornamental design for a wall panel, as shown and  
described.

**DESCRIPTION**

FIG. 1 is an isometric view of a wall panel as included in an  
entire wall panel system;  
FIG. 2 is a magnified isometric view of the wall panel;  
FIG. 3 is a front view thereof,  
FIG. 4 is a back view thereof;  
FIG. 5 is a top view thereof; and,  
FIG. 6 is a bottom view thereof.

The broken lines shown in the drawing figures are meant to  
indicate indeterminate length and environment and form no  
part of the claimed design.

**1 Claim, 5 Drawing Sheets**



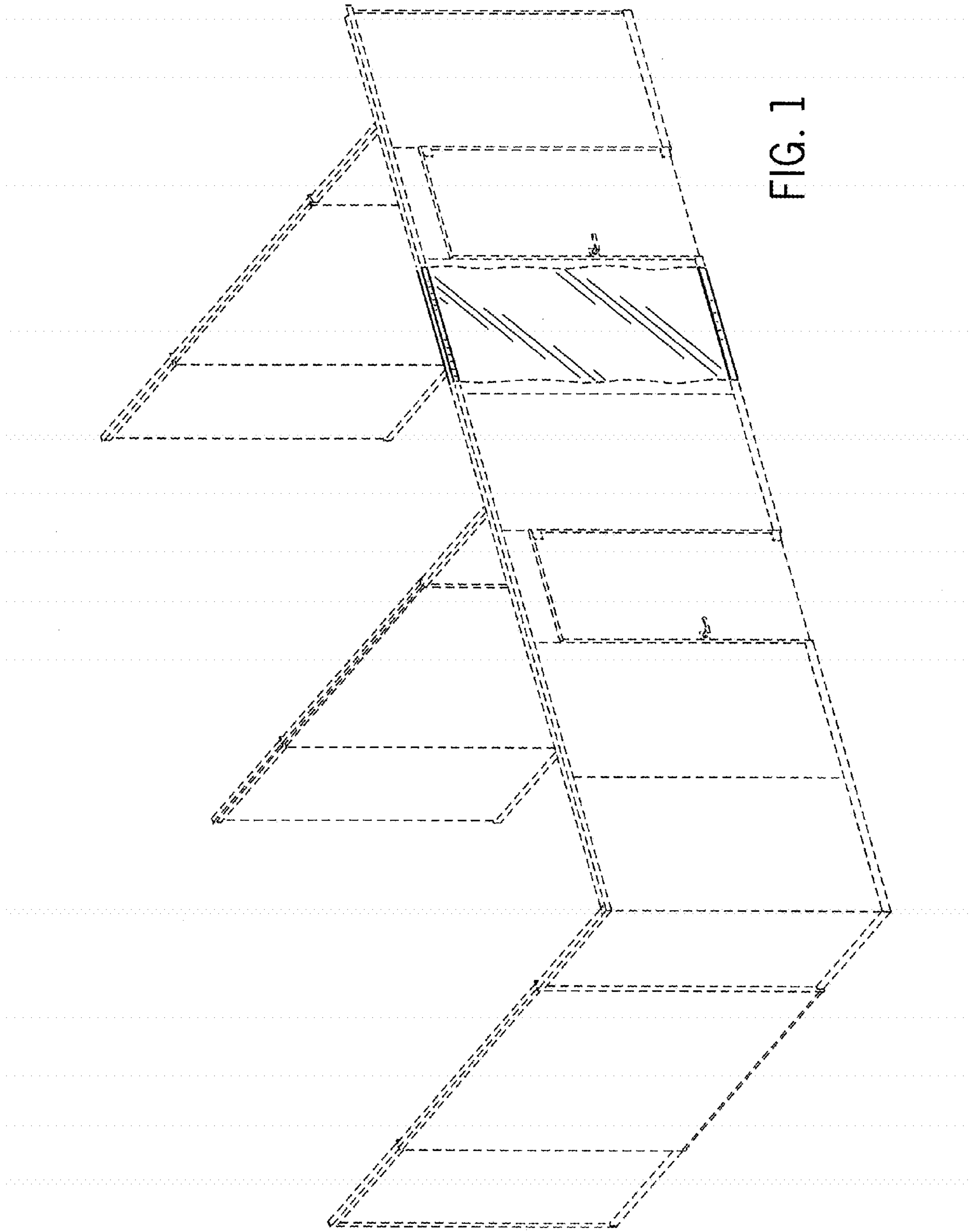


FIG. 1

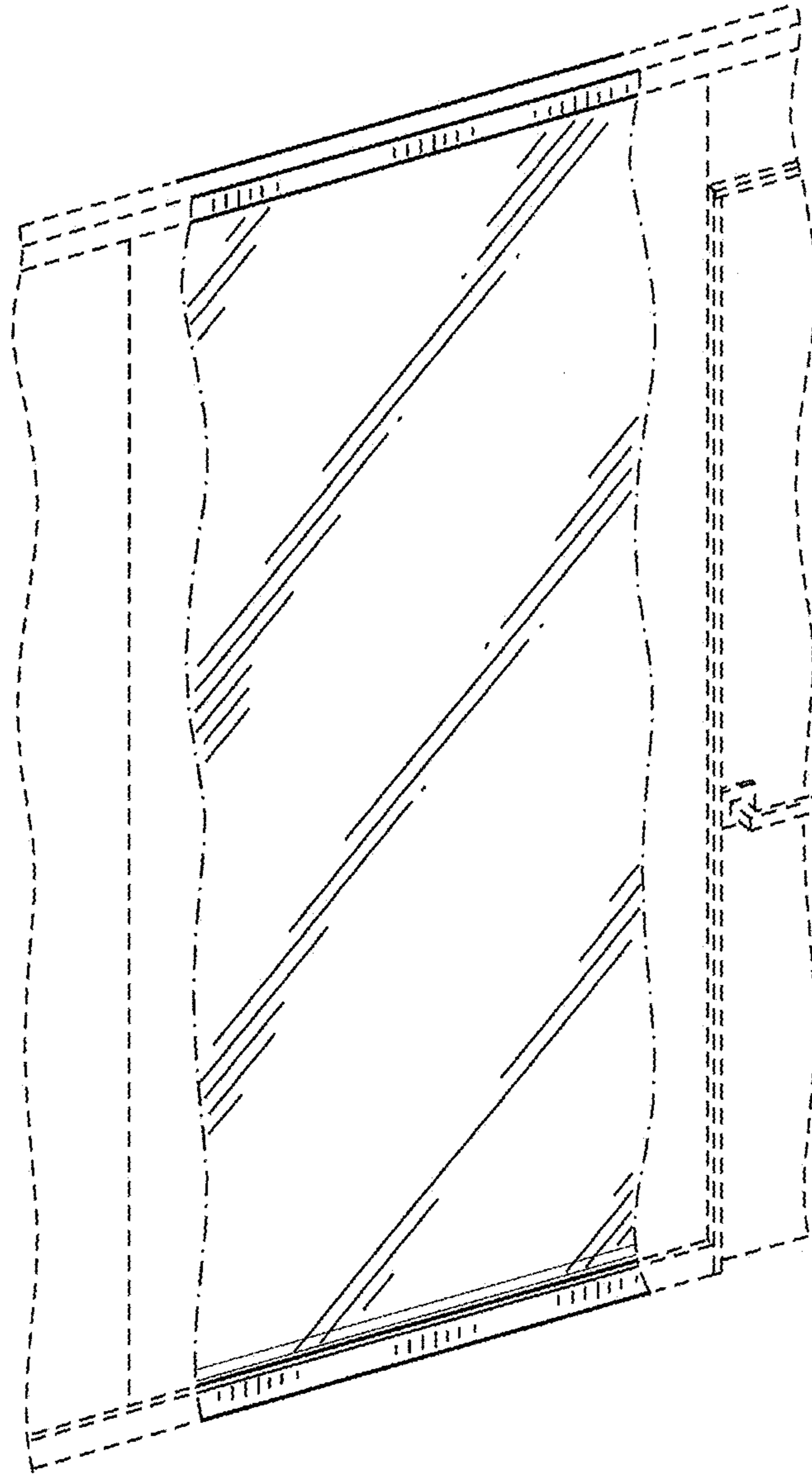


FIG. 2

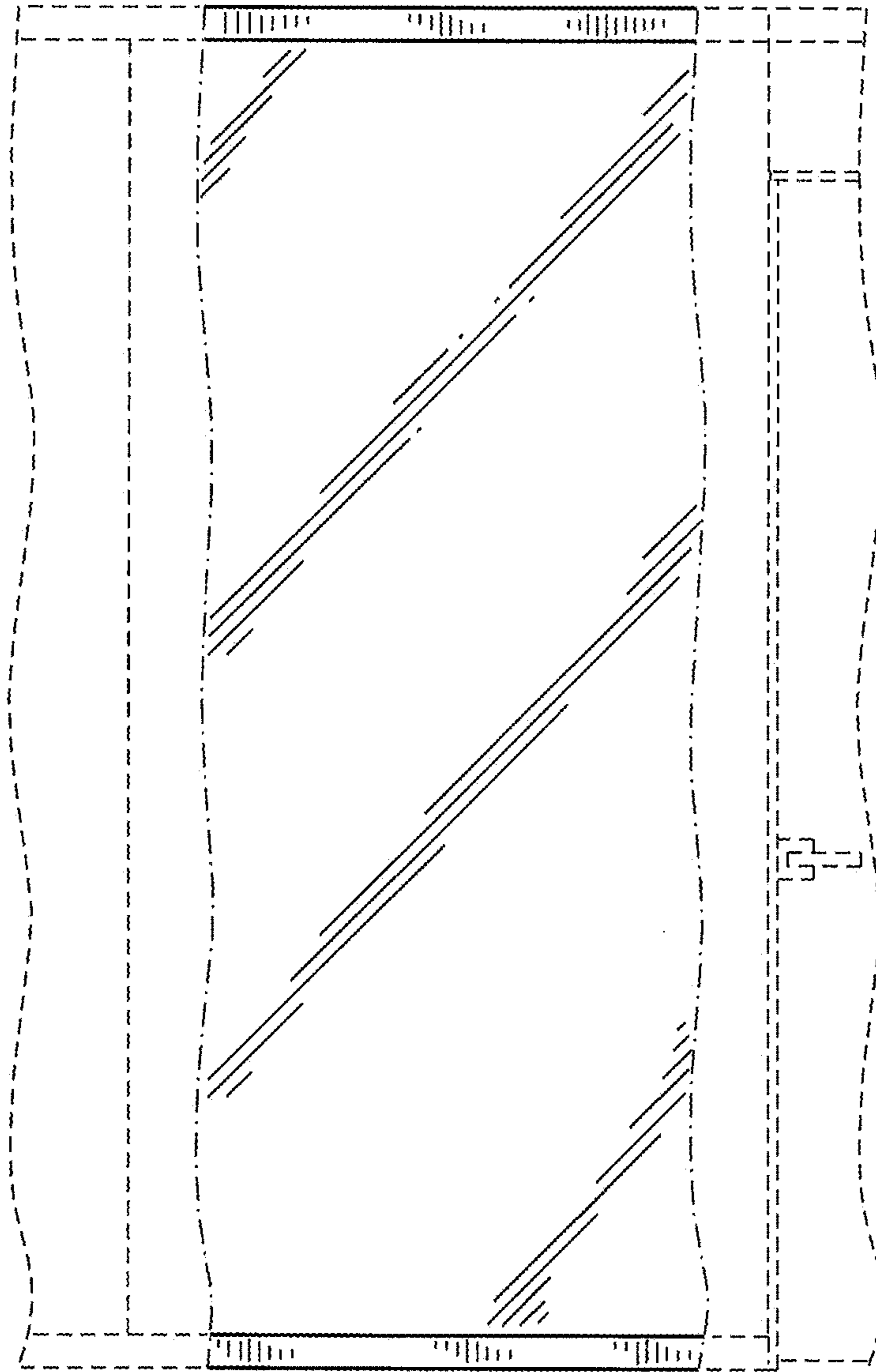


FIG. 3

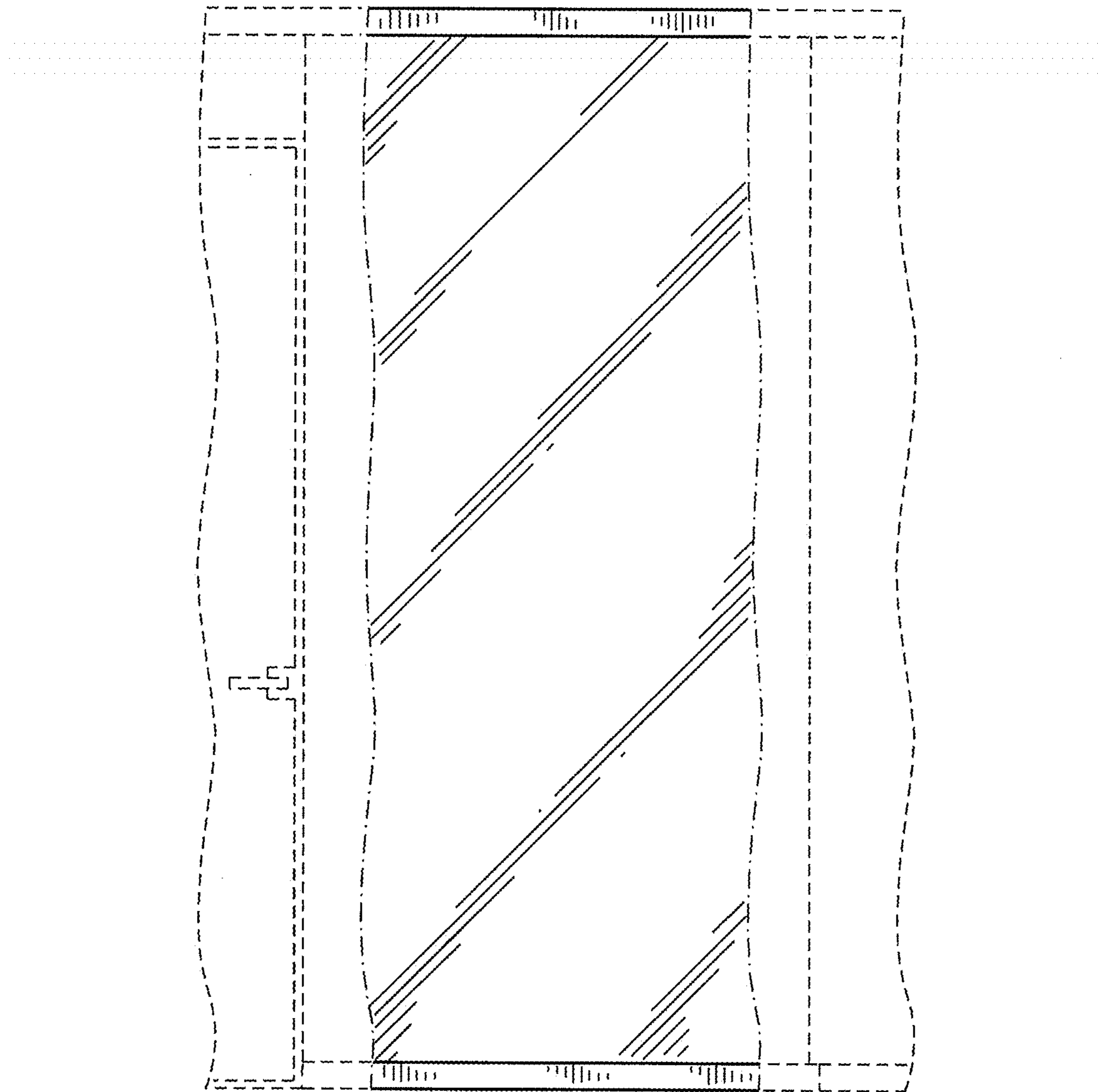


FIG. 4

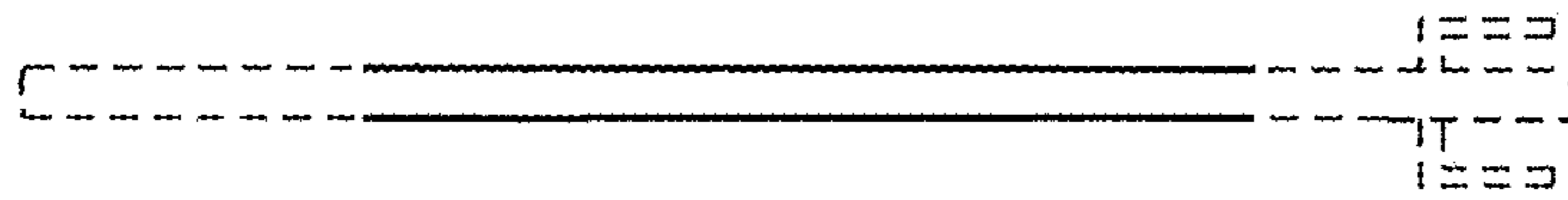


FIG. 5



FIG. 6