



US00D694910S

(12) **United States Design Patent**
Aston et al.

(10) **Patent No.:** **US D694,910 S**
(45) **Date of Patent:** **** Dec. 3, 2013**

(54) **UPPER PORTION OF A CONCRETE BRIDGE UNIT**

(75) Inventors: **Scott D. Aston**, Liberty Township, OH (US); **Michael G. Carfagno**, Centerville, OH (US); **Philip A. Creamer**, Springboro, OH (US)

(73) Assignee: **Contech Engineered Solutions LLC**, West Chester, OH (US)

(**) Term: **14 Years**

(21) Appl. No.: **29/417,404**

(22) Filed: **Apr. 3, 2012**

(51) **LOC (9) Cl.** **25-03**

(52) **U.S. Cl.**
USPC **D25/1**

(58) **Field of Classification Search**
USPC D25/1, 35, 61, 102; D8/367;
405/124-126, 134, 284; 14/24;
52/86-89

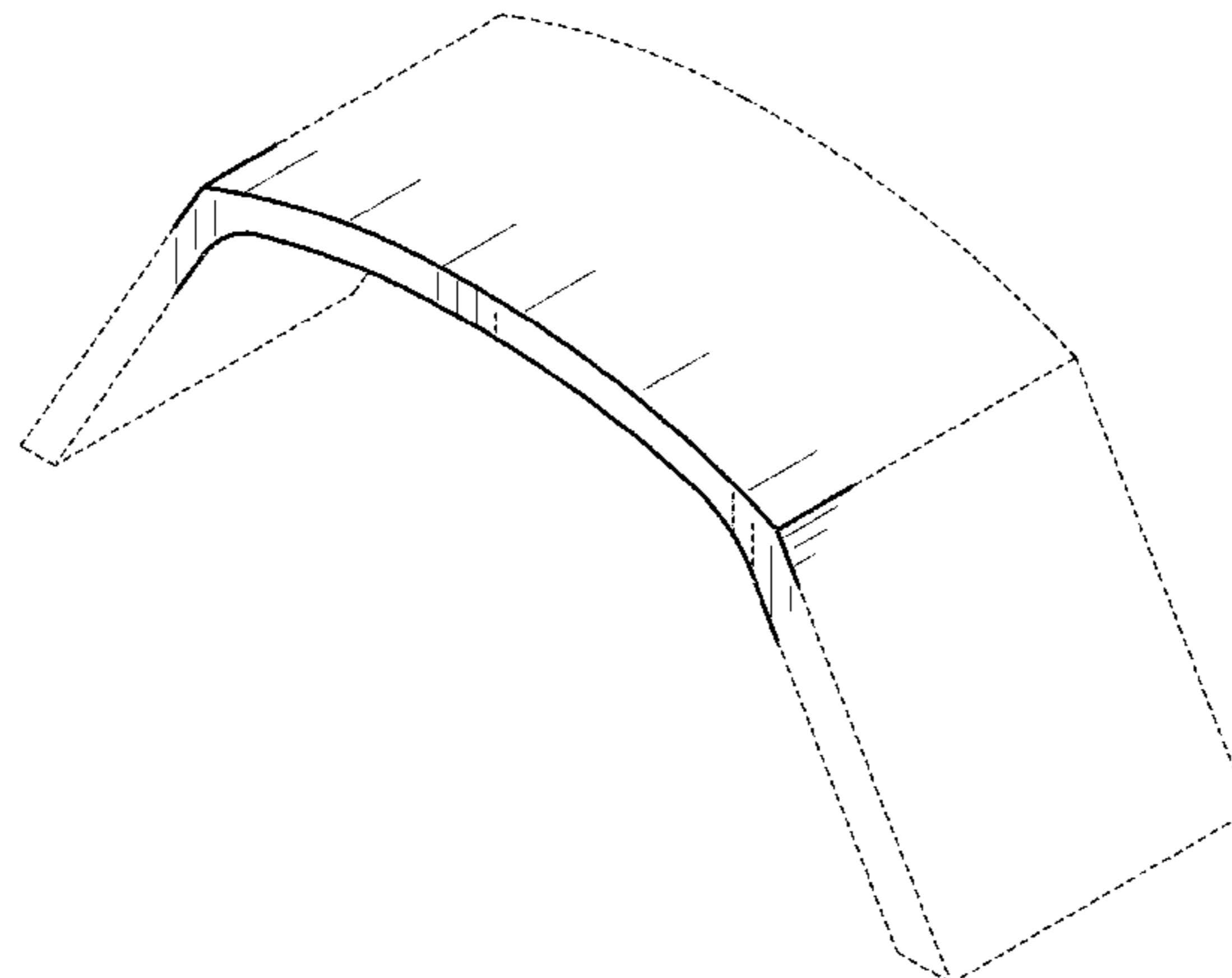
See application file for complete search history.

(56) **References Cited**

U.S. PATENT DOCUMENTS

109,886 A	12/1870	Freeman	
567,653 A	9/1896	Parker	
1,074,268 A	9/1913	Kelly et al.	
1,184,634 A *	5/1916	Duerswachter	285/330
1,219,434 A	3/1917	Burkholder	
1,474,808 A	11/1923	Zucco	
1,784,271 A	12/1930	Collins	
2,616,149 A	11/1952	Waller	
3,195,852 A	7/1965	Lundell	
3,286,972 A	11/1966	Jackson	
3,397,494 A	8/1968	Waring	
3,848,377 A	11/1974	Mori	
4,094,110 A	6/1978	Dicken et al.	
4,099,360 A	7/1978	Outram	
4,141,666 A *	2/1979	DeGraff	405/126
4,211,504 A *	7/1980	Sivachenko	405/284
4,314,775 A	2/1982	Johnson	
4,318,635 A *	3/1982	Gurtner et al.	405/126
4,558,969 A *	12/1985	FitzSimons	405/124

4,563,107 A *	1/1986	Peterson	405/124
4,587,684 A *	5/1986	Miller	14/24
4,687,371 A *	8/1987	Lockwood	405/125
4,693,634 A *	9/1987	Chiaves	405/126
4,723,871 A *	2/1988	Roscoe	405/125
4,797,030 A *	1/1989	Lockwood	405/125
4,817,353 A	4/1989	Woods et al.	
4,854,775 A *	8/1989	Lockwood	405/126
4,972,641 A	11/1990	Barrios	
4,972,646 A	11/1990	Miller et al.	
4,987,707 A	1/1991	Kiselev et al.	
4,993,872 A	2/1991	Lockwood	
5,252,002 A *	10/1993	Day	405/126
5,326,191 A *	7/1994	Wilson et al.	405/124
5,505,033 A	4/1996	Matsuo et al.	
5,524,405 A	6/1996	Byrd	
5,533,835 A	7/1996	Angelette	
5,536,113 A *	7/1996	McGregor	405/125
5,586,417 A	12/1996	Hendersjon et al.	
5,720,577 A *	2/1998	Sanders et al.	405/124
5,836,717 A	11/1998	Bernini	
D406,902 S *	3/1999	Lockwood	D25/1
D426,321 S	6/2000	Lockwood	
6,094,881 A	8/2000	Lockwood	
6,129,484 A	10/2000	Chiaves	
6,161,342 A *	12/2000	Barbier et al.	52/86
6,205,717 B1 *	3/2001	Shall et al.	52/89
6,243,994 B1 *	6/2001	Bernini	52/86
6,367,214 B1	4/2002	Monachino	
6,408,581 B2	6/2002	Monachino	
6,474,907 B2	11/2002	Semotiuk et al.	
6,640,505 B1 *	11/2003	Heierli	52/86
D484,610 S	12/2003	Lockwood	
6,719,492 B1 *	4/2004	Heierli	405/124
D490,533 S *	5/2004	Lockwood	D25/1
6,854,928 B2 *	2/2005	Lockwood	405/124
6,922,950 B2 *	8/2005	Heierli	52/88
D511,215 S *	11/2005	Vaia	D25/1
D511,387 S *	11/2005	Beach	D25/1
6,962,465 B2 *	11/2005	Zax et al.	405/124
D512,513 S *	12/2005	Wasniak et al.	D25/1
6,988,337 B1 *	1/2006	Heierli	52/86
D514,706 S	2/2006	Beach	
7,001,110 B2	2/2006	Lockwood	
7,114,305 B2 *	10/2006	Heierli	52/745.08
7,217,064 B1	5/2007	Wilson	
7,305,798 B1 *	12/2007	Heierli	52/87
D566,852 S *	4/2008	Gaster et al.	D25/1
D573,722 S *	7/2008	Lockwood	D25/62
7,556,451 B2 *	7/2009	Beach et al.	405/126
7,568,860 B2 *	8/2009	Chiaves	405/134
7,770,250 B2	8/2010	Boresi et al.	
D645,572 S *	9/2011	Von Handorf	D25/102



D658,976 S *	5/2012	Morrow, Jr.	D8/367
2005/0123354 A1 *	6/2005	Zax et al.	405/124
2006/0174549 A1	8/2006	Dagher et al.	
2009/0183321 A1	7/2009	Bores et al.	

FOREIGN PATENT DOCUMENTS

EP	0244890	11/1987
EP	0568799	11/1996
FR	2330818	6/1977
WO	WO 92/07144	4/1992

OTHER PUBLICATIONS

Design U.S. Appl. No. 29/413,755, filed Feb. 20, 2012, entitled "Concrete Bridge Unit".

* cited by examiner

Primary Examiner — T. Chase Nelson
Assistant Examiner — Kathleen M Sims
 (74) *Attorney, Agent, or Firm* — Thompson Hine LLP

(57) **CLAIM**

The ornamental design for a upper portion of a concrete bridge unit, as shown and described.

DESCRIPTION

FIG. 1 is a perspective view of the front top portion of first embodiment of a concrete bridge unit;
 FIG. 2 is a front elevation of the concrete bridge unit of FIG. 1;
 FIG. 3 is a side elevation of the concrete bridge unit of FIG. 1;
 FIG. 4 is a perspective view of the front top portion of a second embodiment of a concrete bridge unit;
 FIG. 5 is a front elevation of the concrete bridge unit of FIG. 4;
 FIG. 6 is a side elevation of the concrete bridge unit of FIG. 4;
 FIG. 7 is a perspective view of the front top portion of a third embodiment of a concrete bridge unit;
 FIG. 8 is a front elevation of the concrete bridge unit of FIG. 7;
 FIG. 9 is a side elevation of the concrete bridge unit of FIG. 7;
 FIG. 10 is a perspective view of the front top portion of a fourth embodiment of a concrete bridge unit;
 FIG. 11 is a front elevation of the concrete bridge unit of FIG. 10;
 FIG. 12 is a side elevation of the concrete bridge unit of FIG. 10;
 FIG. 13 is a perspective view of the front top portion of a fifth embodiment of a concrete bridge unit;

FIG. 14 is a front elevation of the concrete bridge unit of FIG. 13;
 FIG. 15 is a side elevation of the concrete bridge unit of FIG. 13;
 FIG. 16 is a perspective view of the front top portion of a sixth embodiment of a concrete bridge unit;
 FIG. 17 is a front elevation of the concrete bridge unit of FIG. 16;
 FIG. 18 is a side elevation of the concrete bridge unit of FIG. 16;
 FIG. 19 is a perspective view of the front top portion of a seventh embodiment of a concrete bridge unit;
 FIG. 20 is a front elevation of the concrete bridge unit of FIG. 19;
 FIG. 21 is a side elevation of the concrete bridge unit of FIG. 19;
 FIG. 22 is a perspective view of the front top portion of an eighth embodiment of a concrete bridge unit;
 FIG. 23 is a front elevation of the concrete bridge unit of FIG. 22;
 FIG. 24 is a side elevation of the concrete bridge unit of FIG. 22;
 FIG. 25 is a perspective view of the front top portion of a ninth embodiment of a concrete bridge unit;
 FIG. 26 is a front elevation of the concrete bridge unit of FIG. 25;
 FIG. 27 is a side elevation of the concrete bridge unit of FIG. 25;
 FIG. 28 is a perspective view of the front top portion of a tenth embodiment of a concrete bridge unit;
 FIG. 29 is a front elevation of the concrete bridge unit of FIG. 28;
 FIG. 30 is a side elevation of the concrete bridge unit of FIG. 28;
 FIG. 31 is a perspective view of the front top portion of an eleventh embodiment of a concrete bridge unit;
 FIG. 32 is a front elevation of the concrete bridge unit of FIG. 31;
 FIG. 33 is a side elevation of the concrete bridge unit of FIG. 31;
 FIG. 34 is a perspective view of the front top portion of a twelfth embodiment of a concrete bridge unit;
 FIG. 35 is a front elevation of the concrete bridge unit of FIG. 34; and,
 FIG. 36 is a side elevation of the concrete bridge unit of FIG. 34.
 The broken lines shown in the drawings are for purposes of illustrating portions of the upper portion of a concrete bridge unit that form no part of the claimed design.

1 Claim, 12 Drawing Sheets

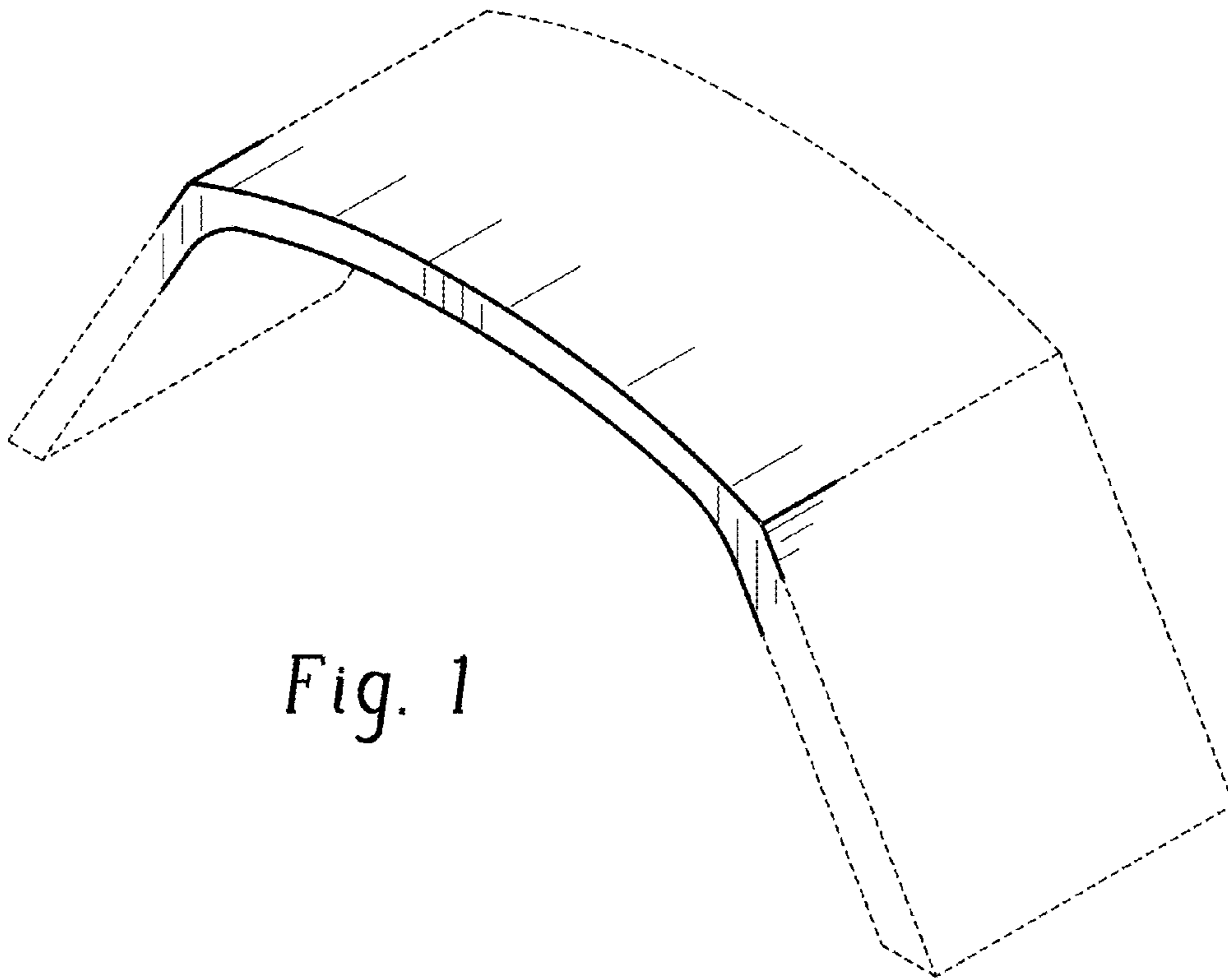


Fig. 1

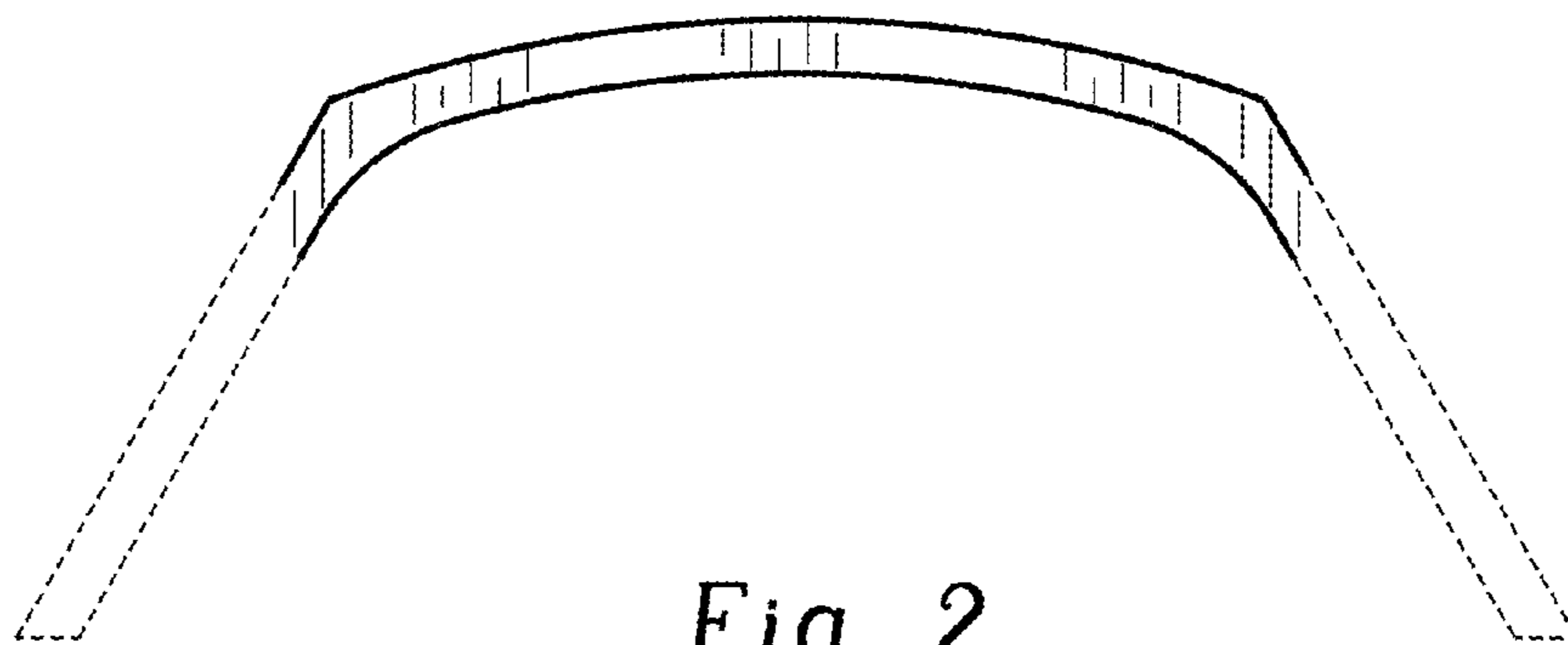


Fig. 2

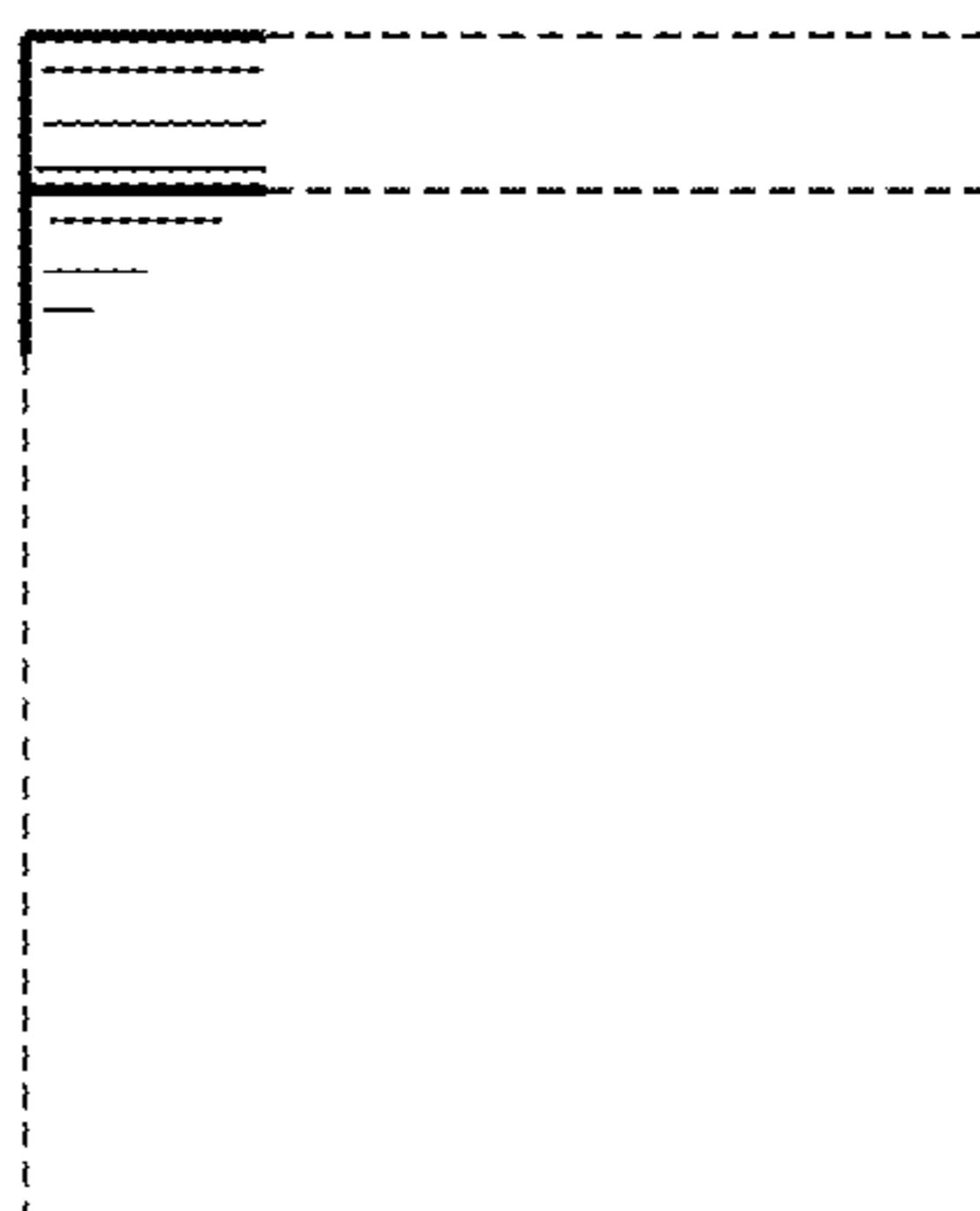


Fig. 3

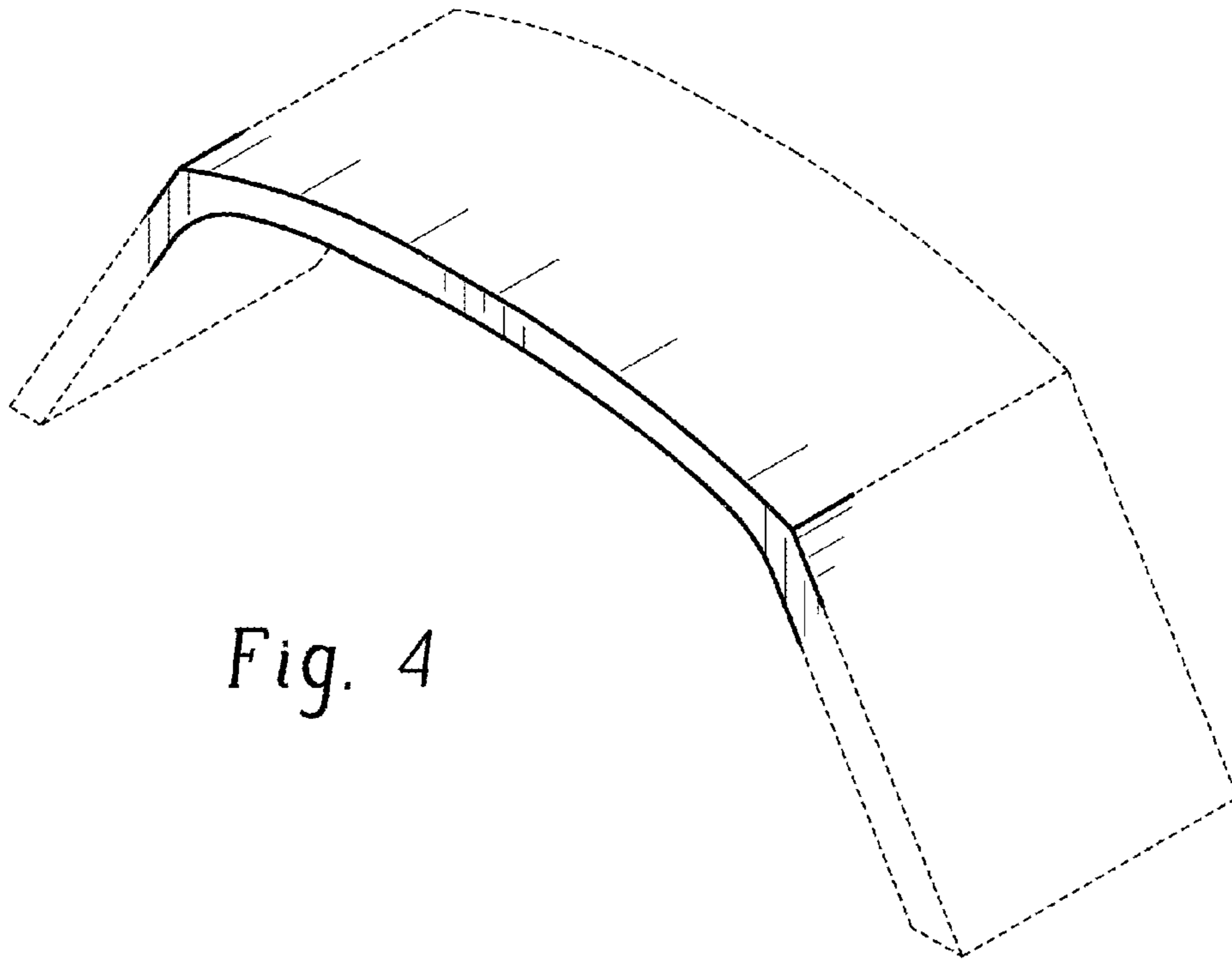


Fig. 4

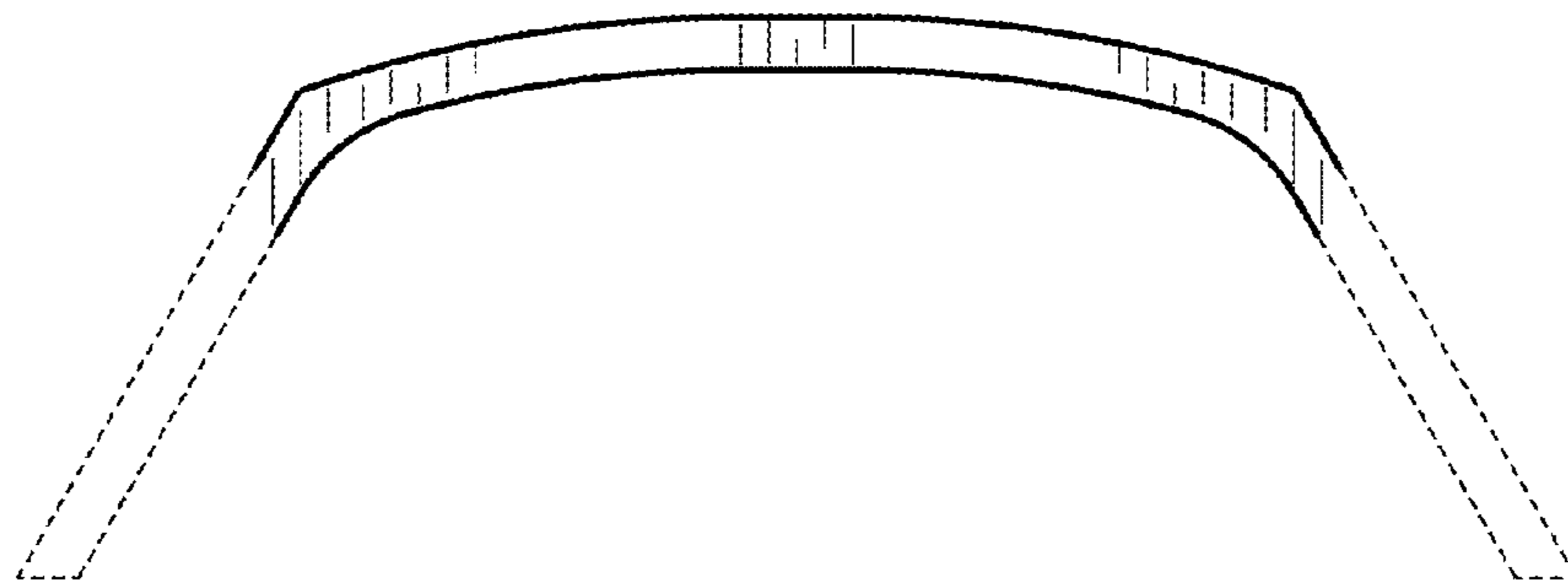


Fig. 5

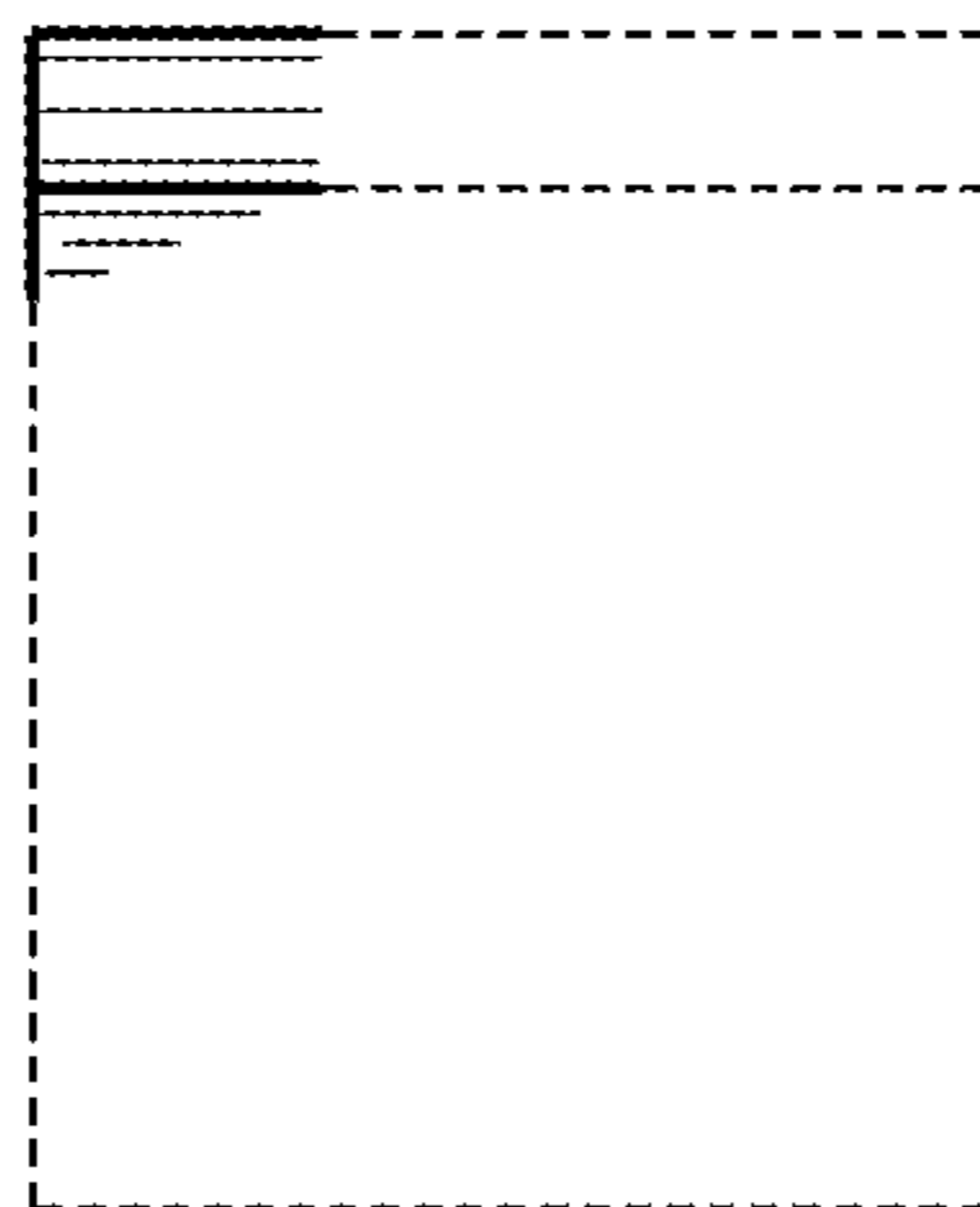


Fig. 6

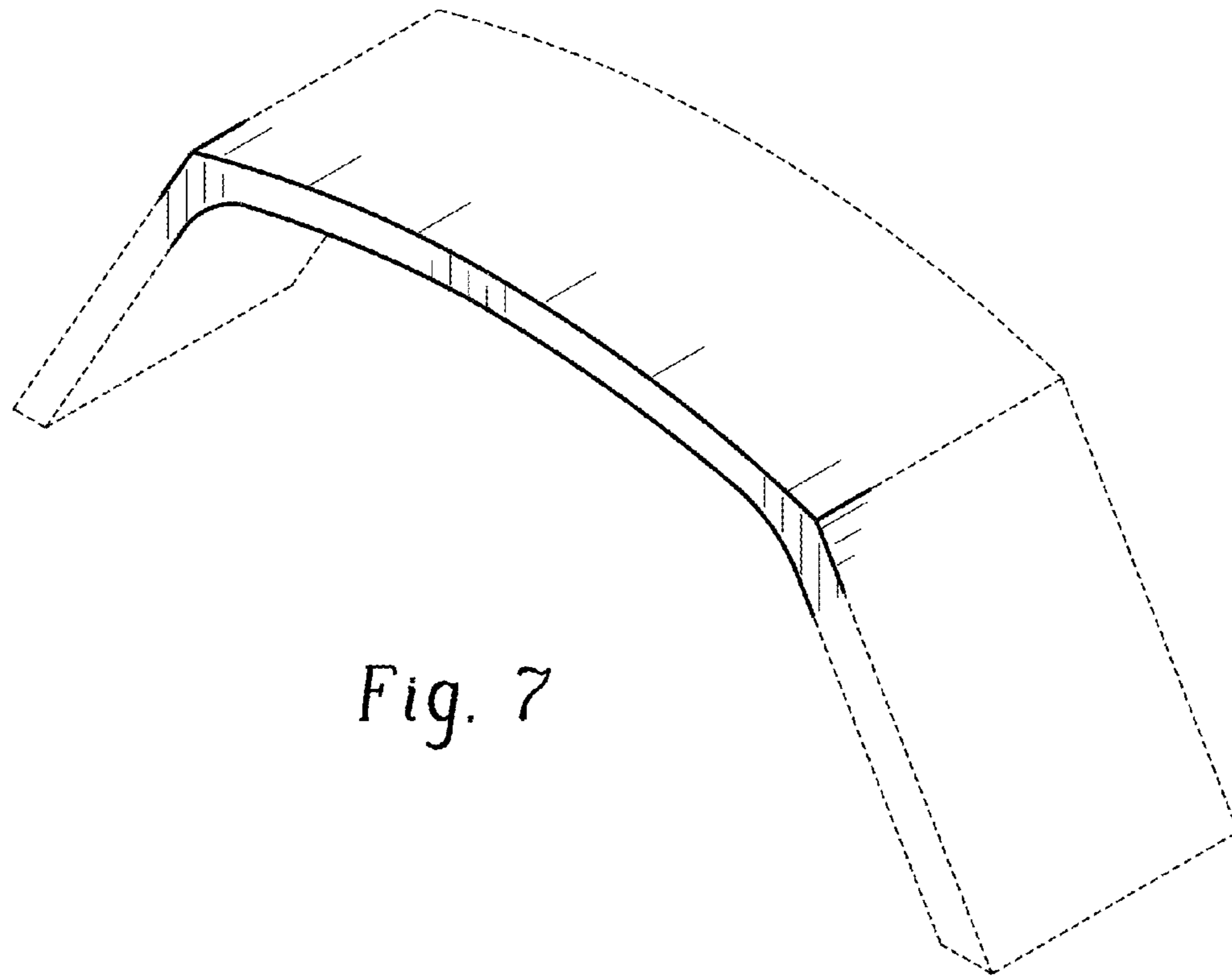


Fig. 7

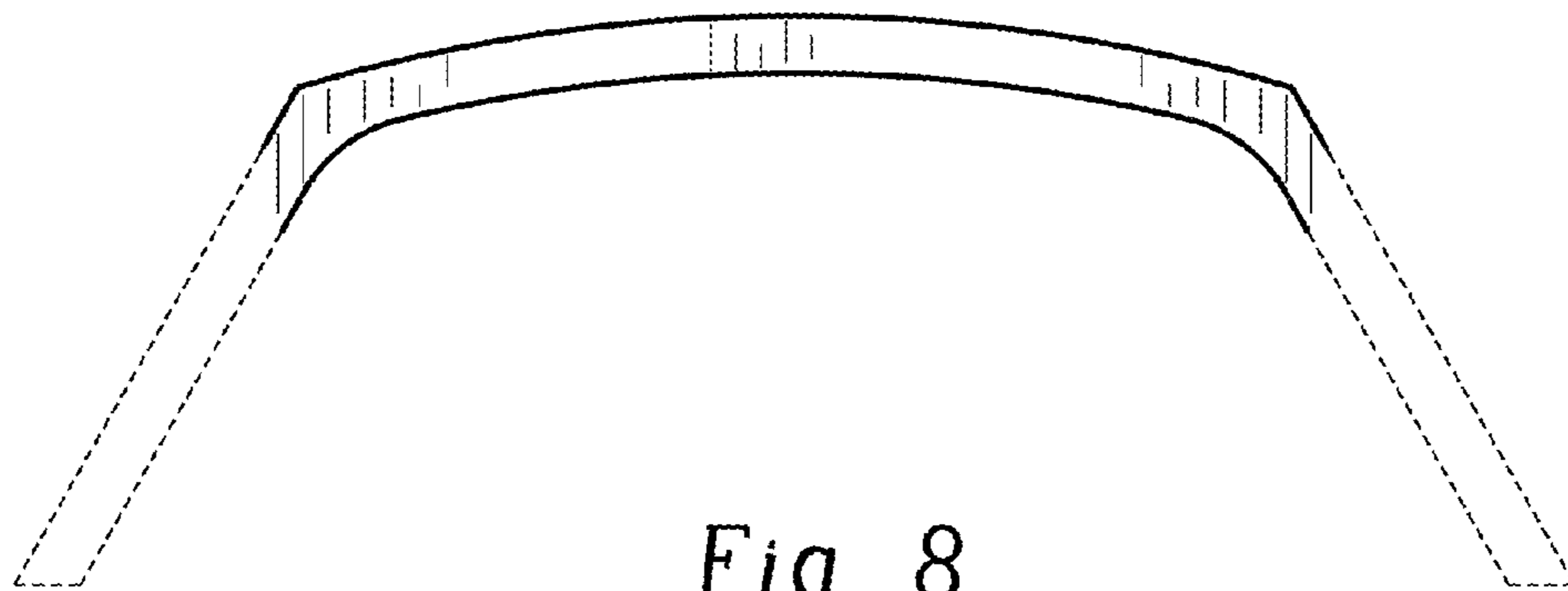


Fig. 8

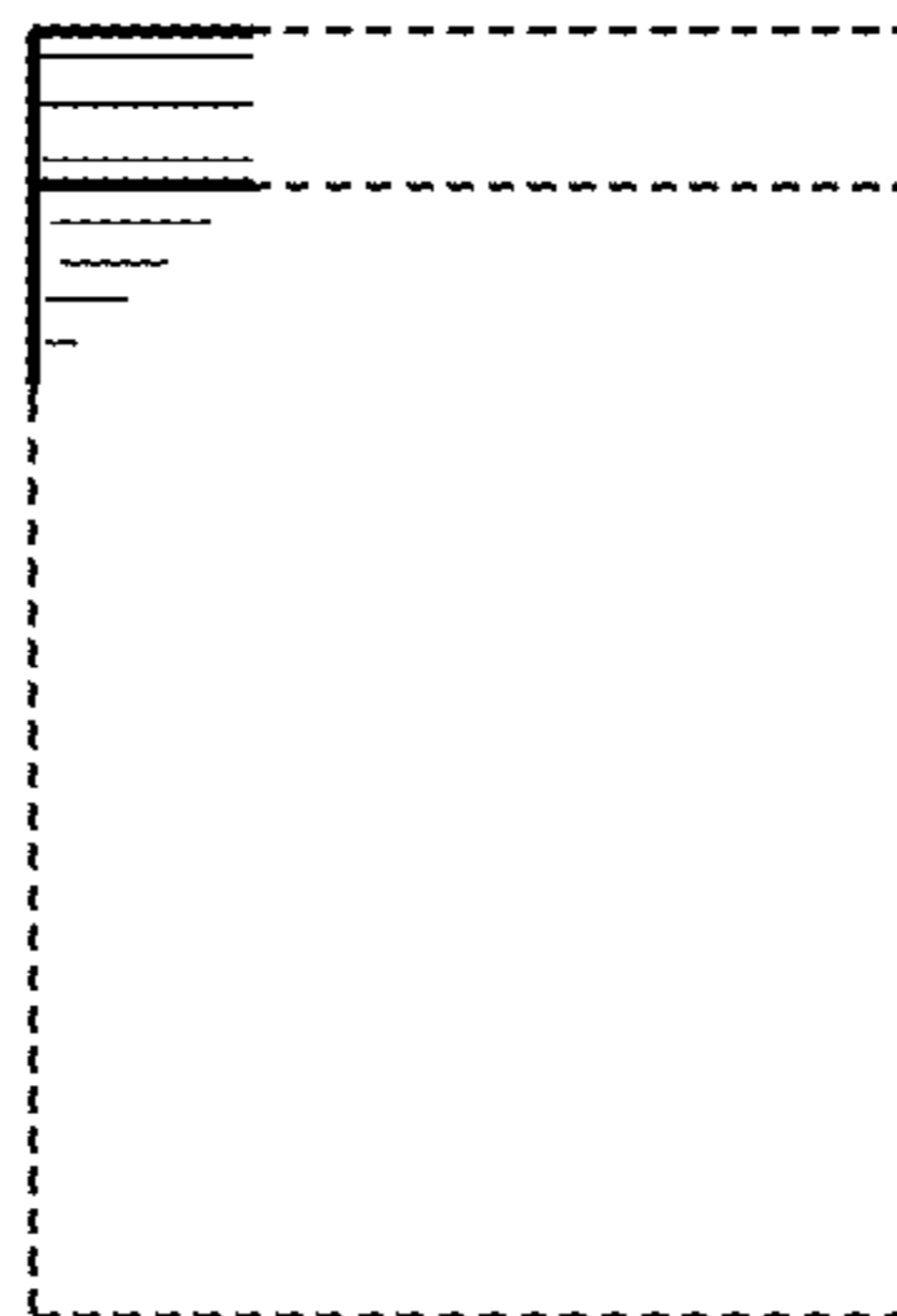


Fig. 9

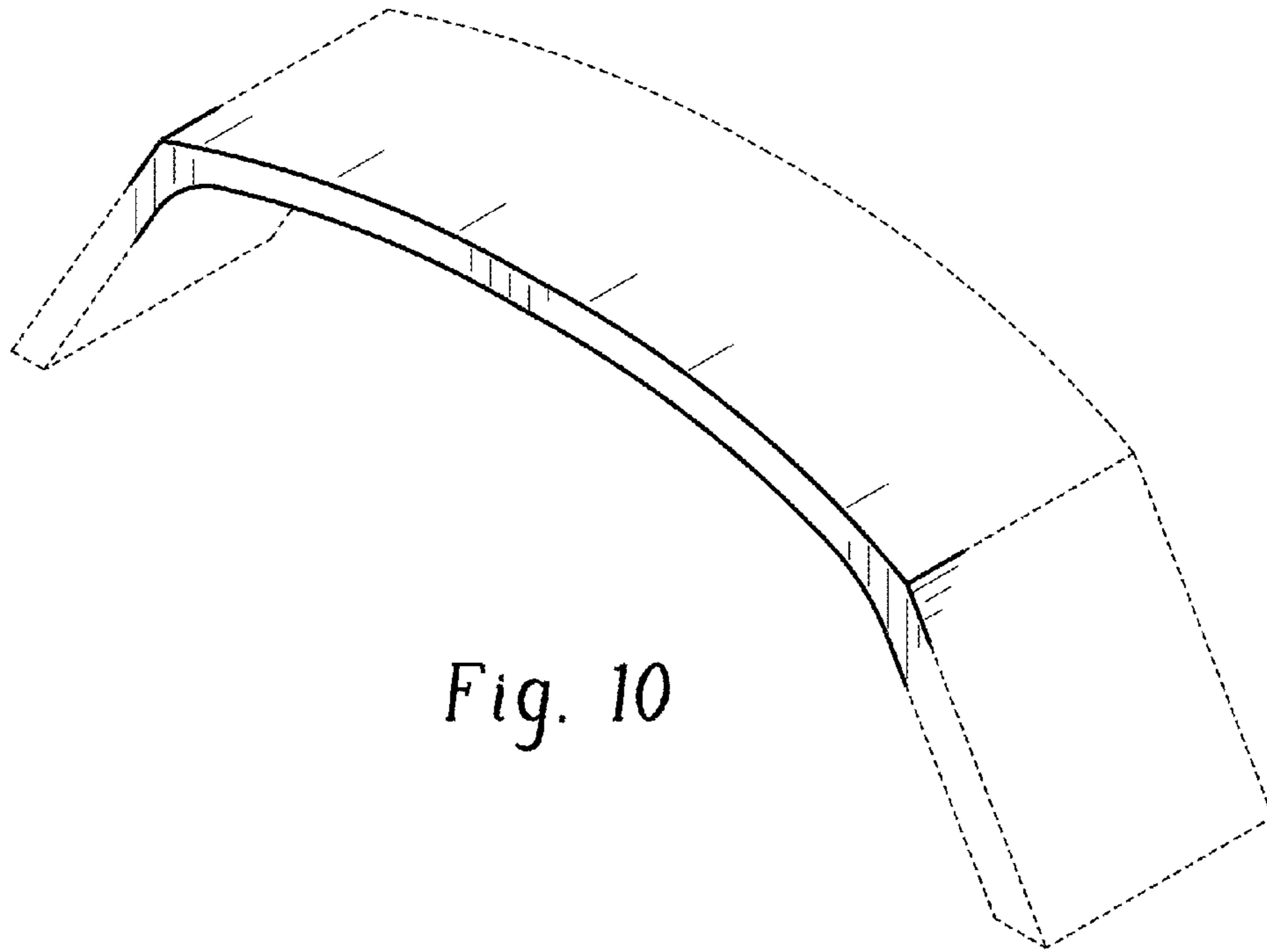


Fig. 10

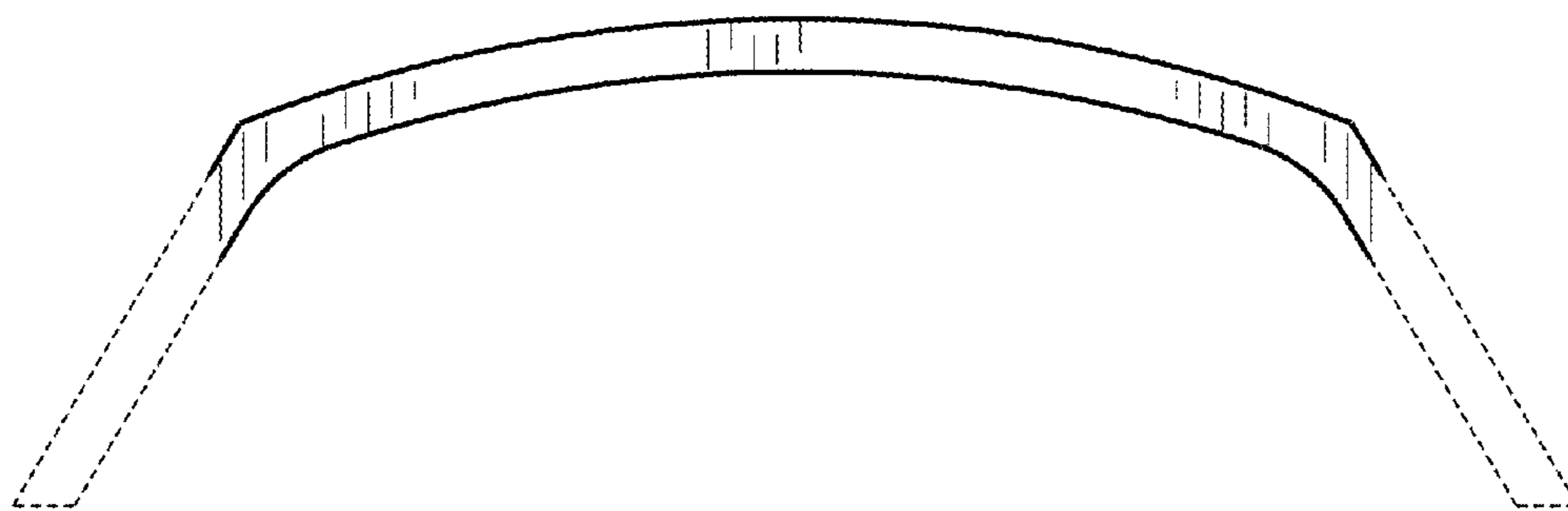


Fig. 11

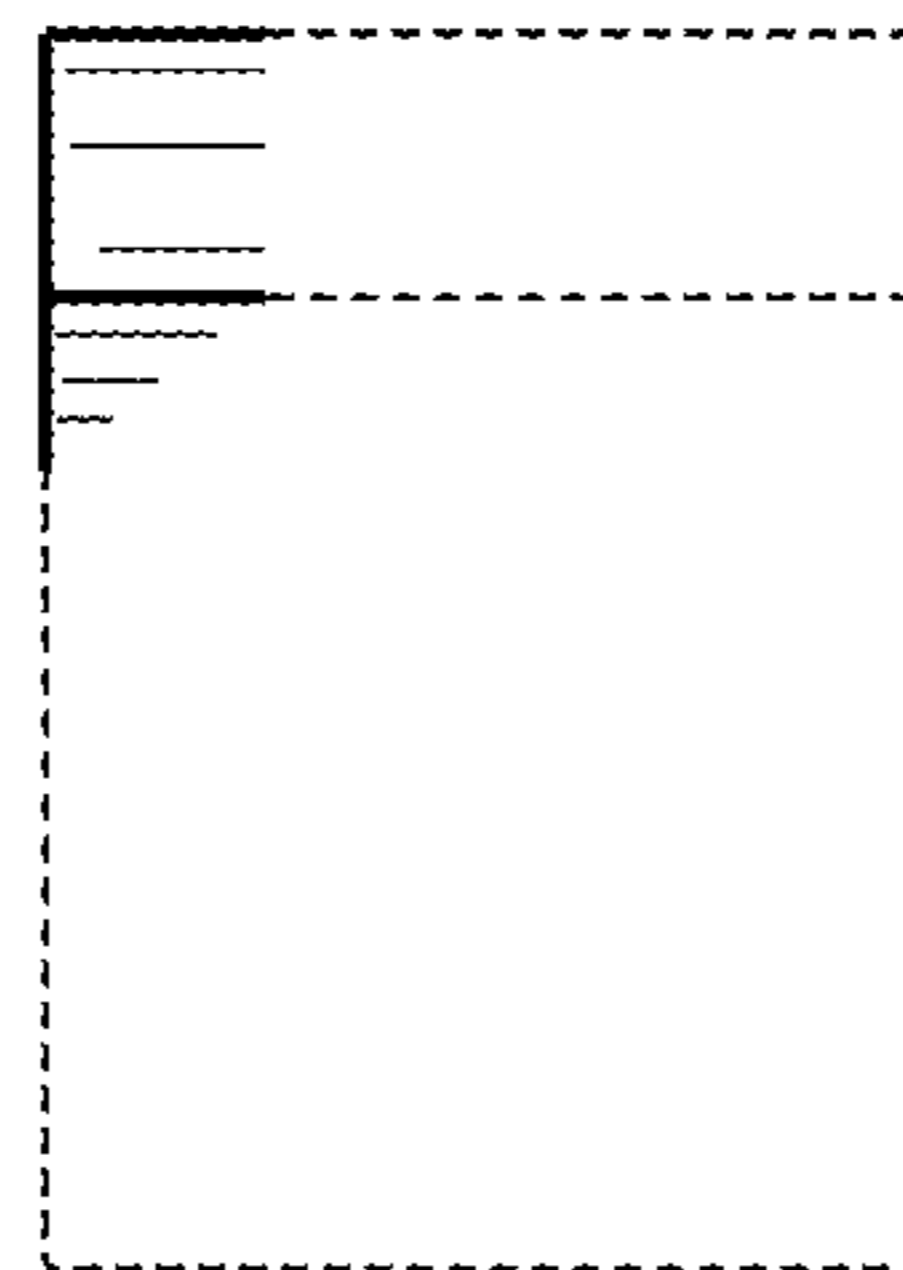


Fig. 12

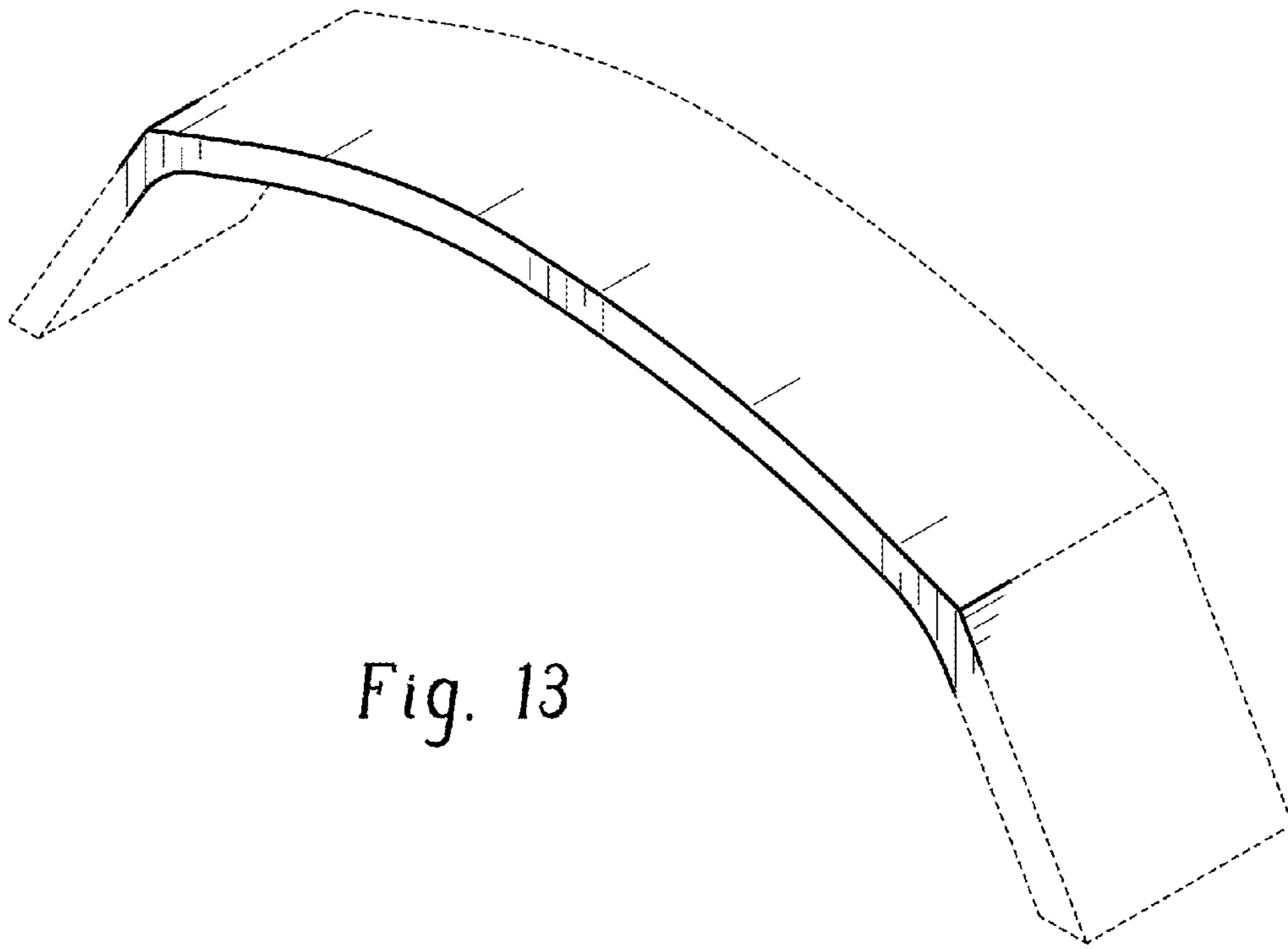


Fig. 13

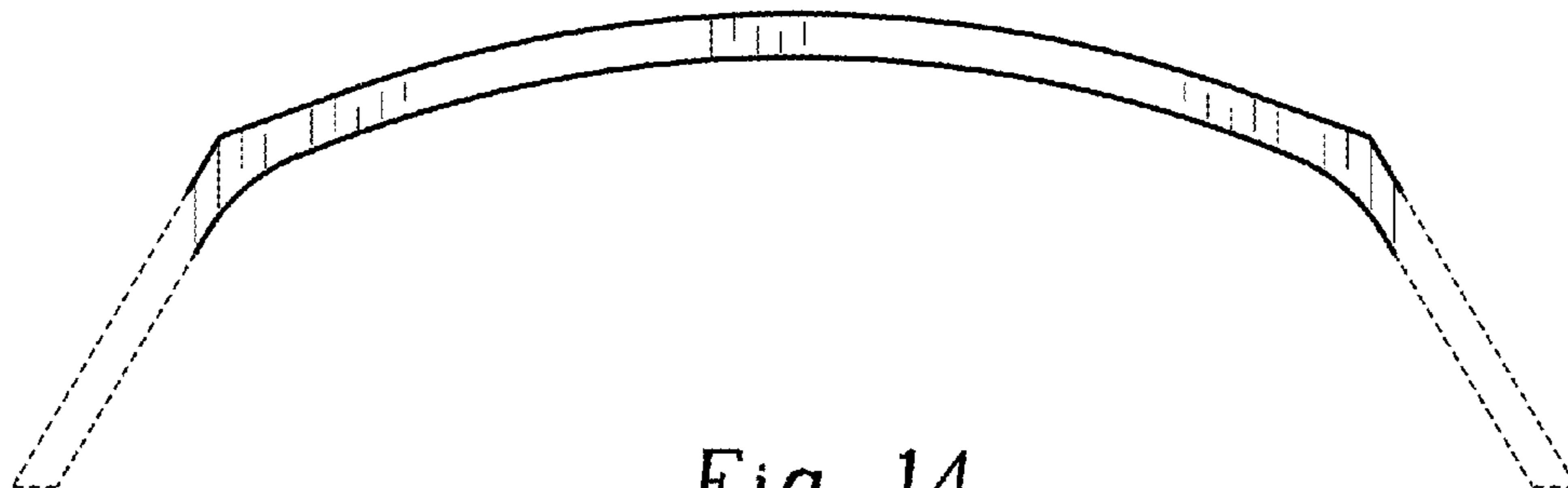


Fig. 14

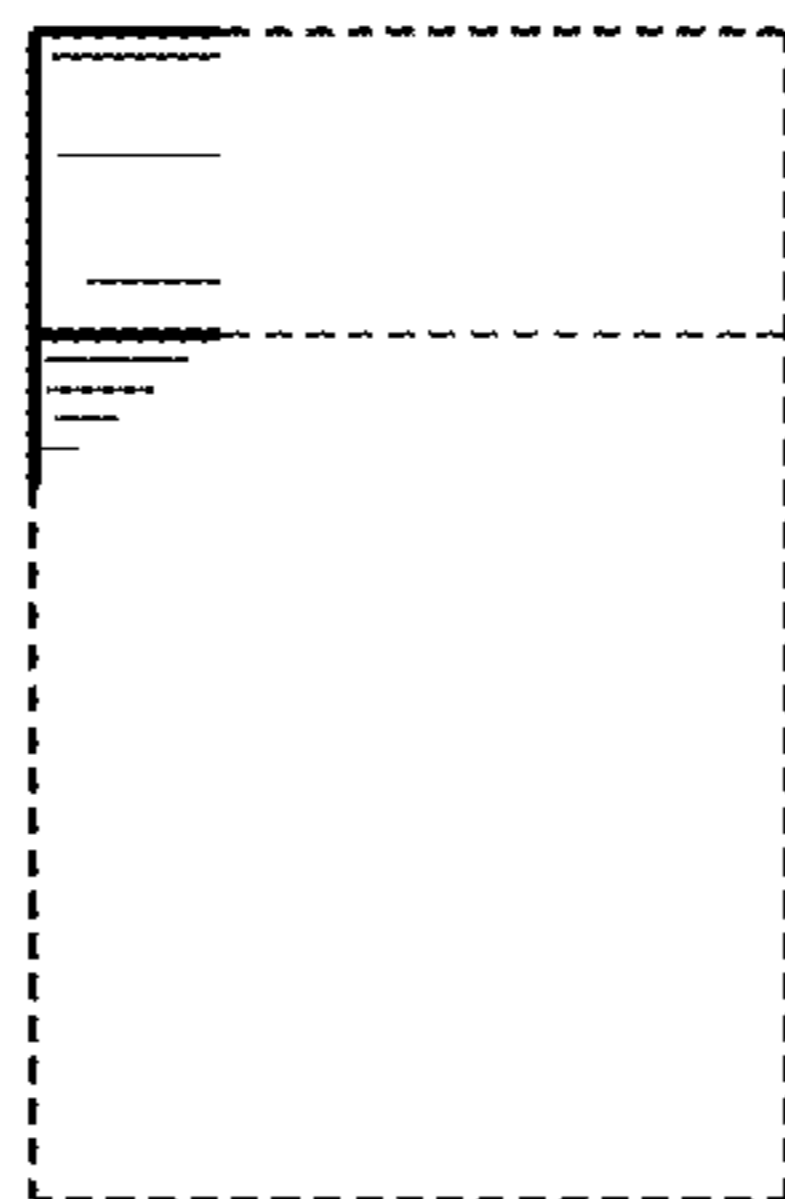


Fig. 15

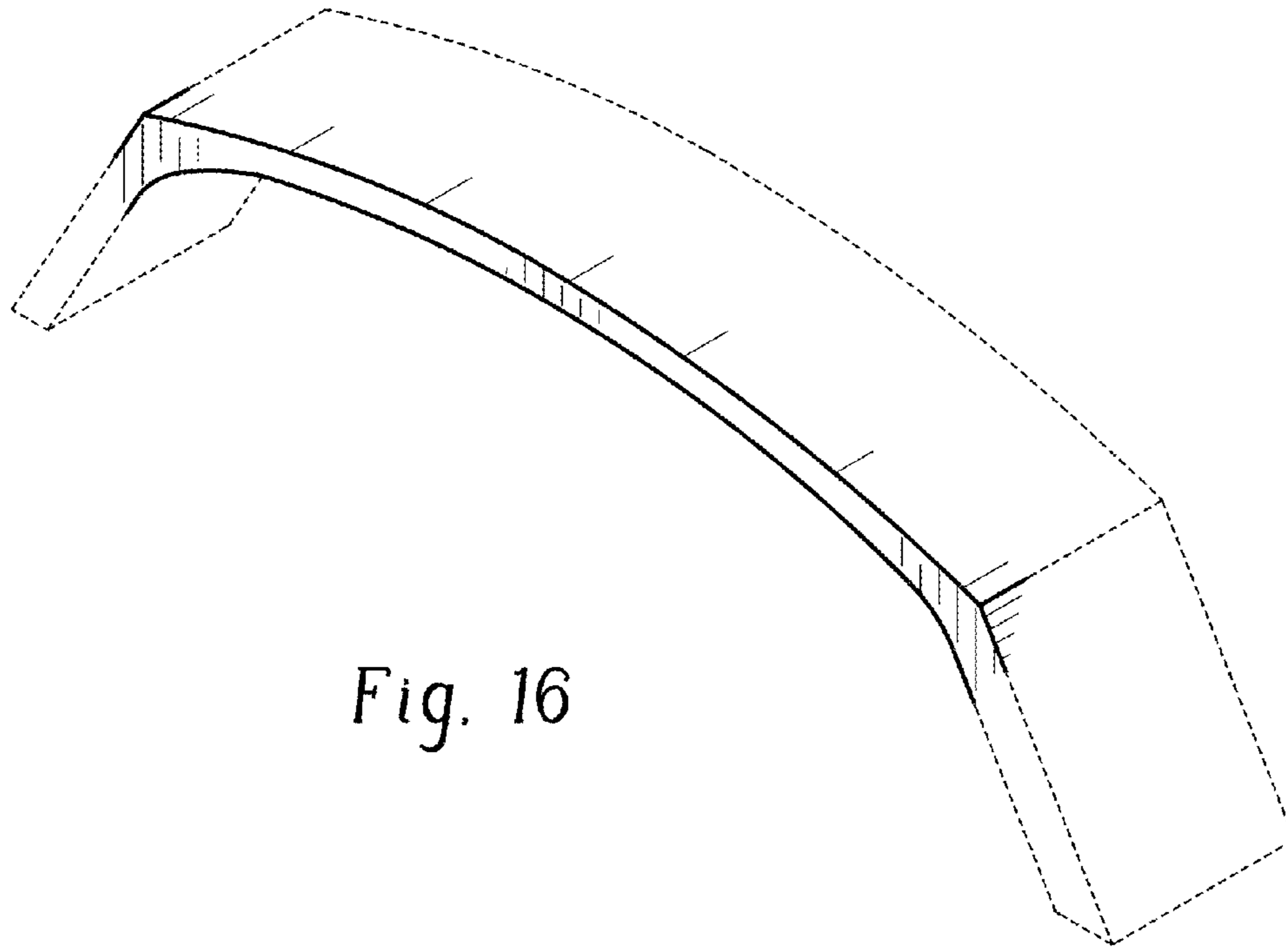


Fig. 16

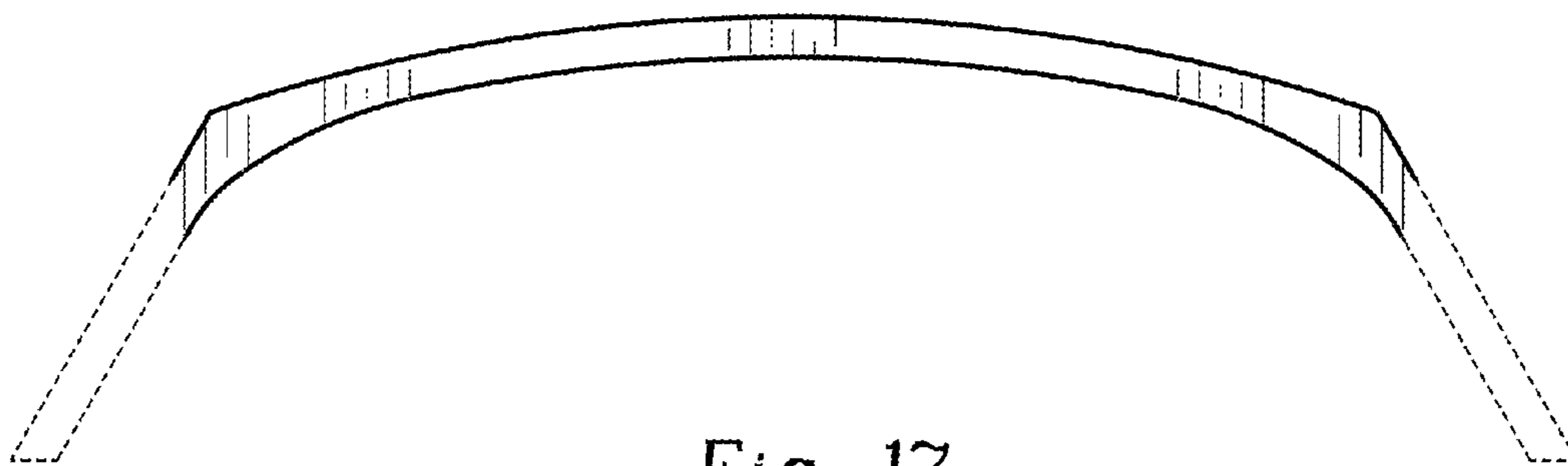


Fig. 17

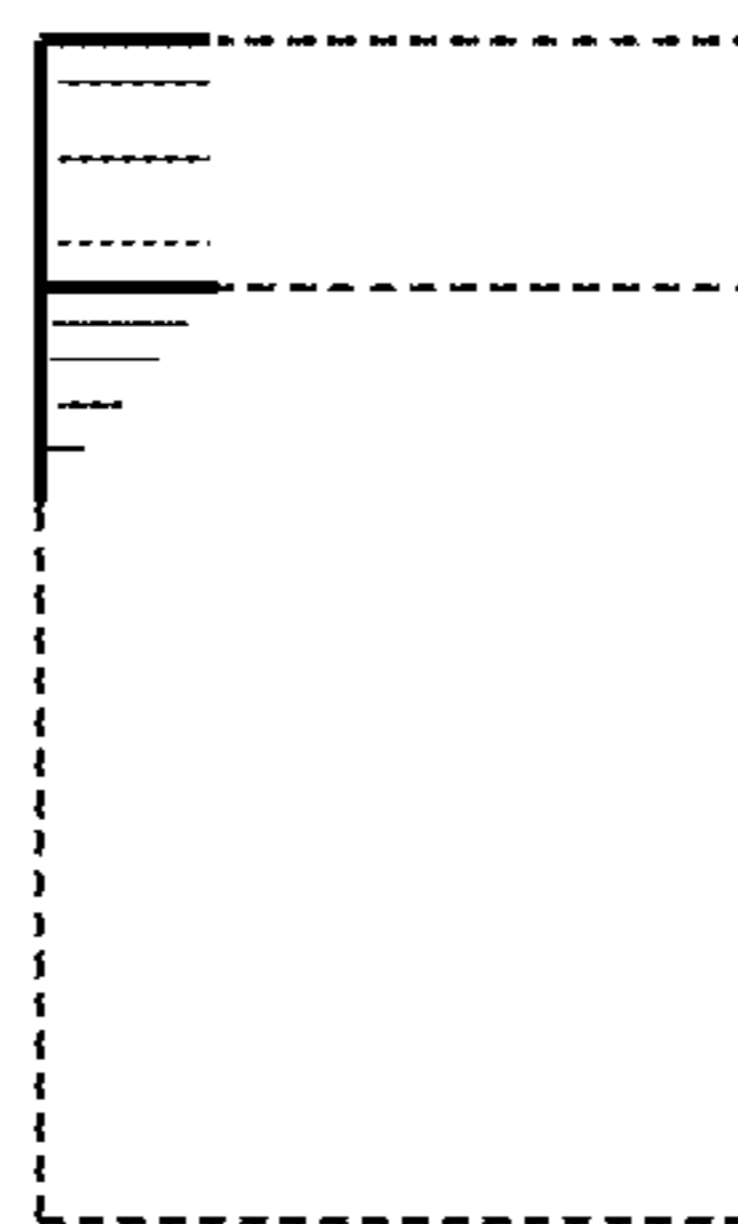


Fig. 18

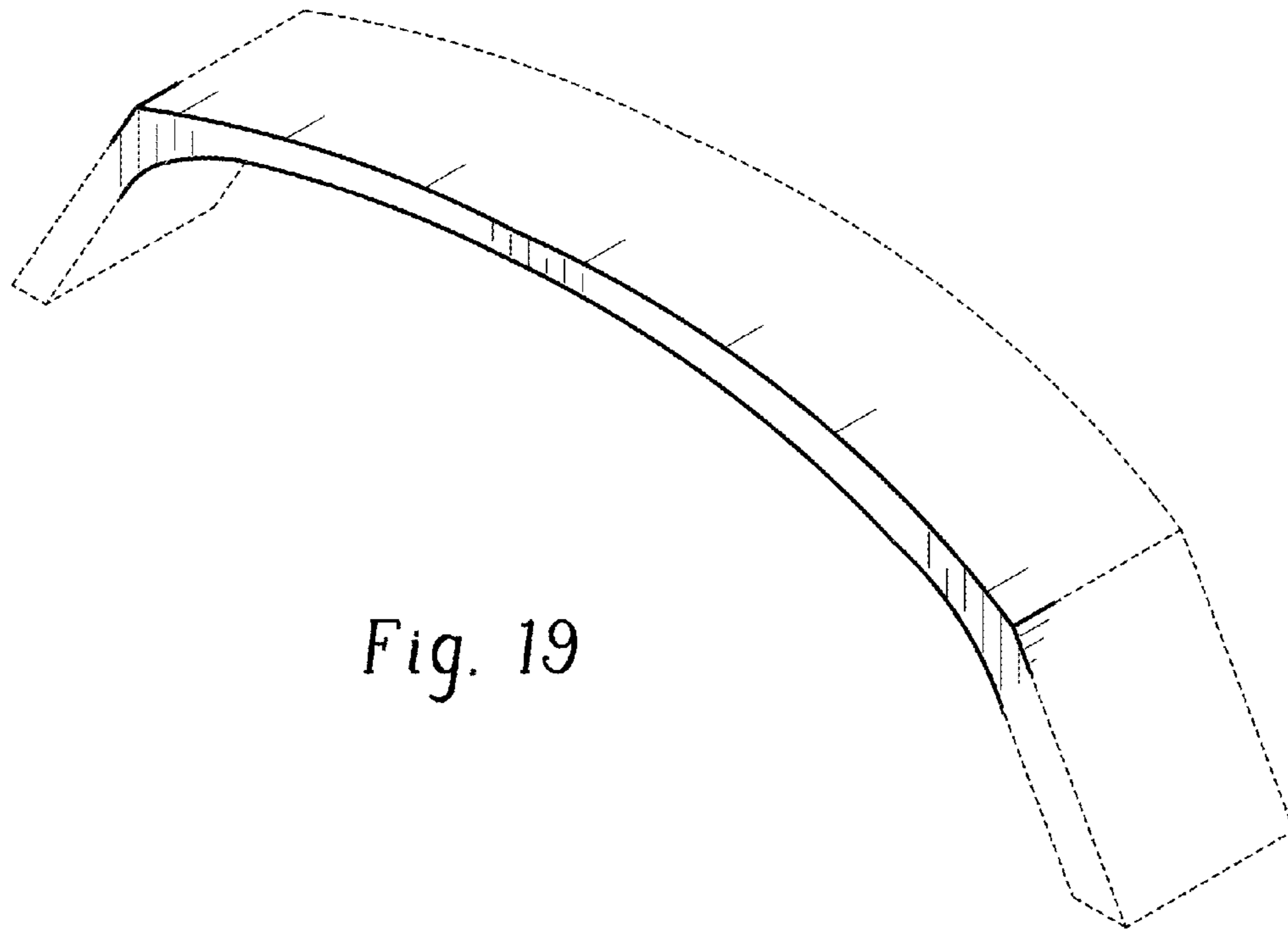


Fig. 19

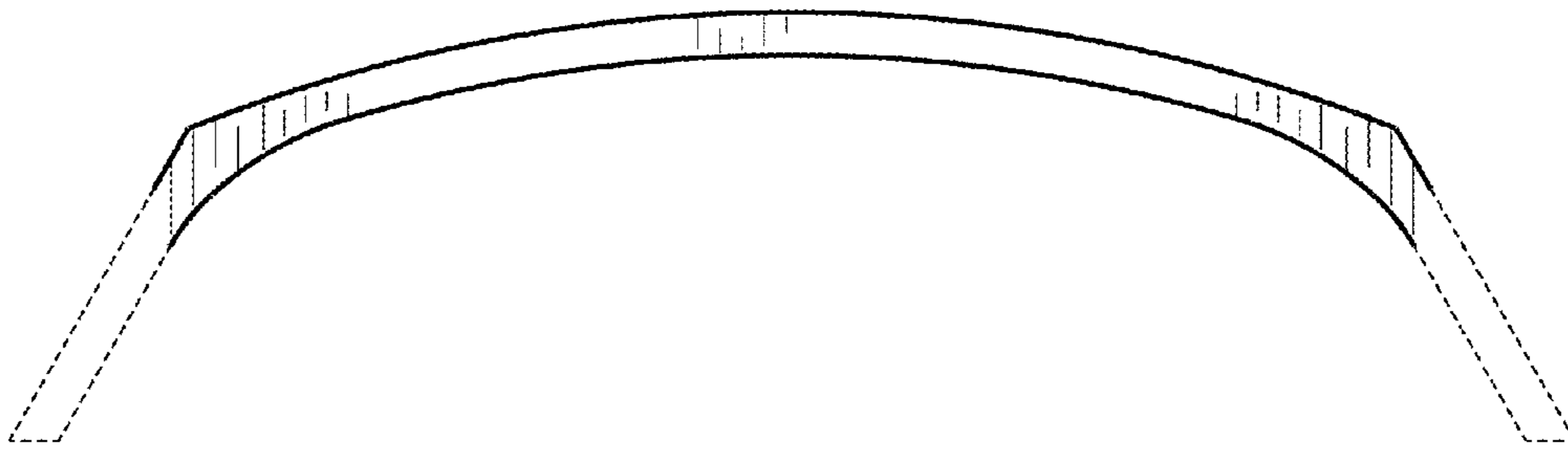


Fig. 20

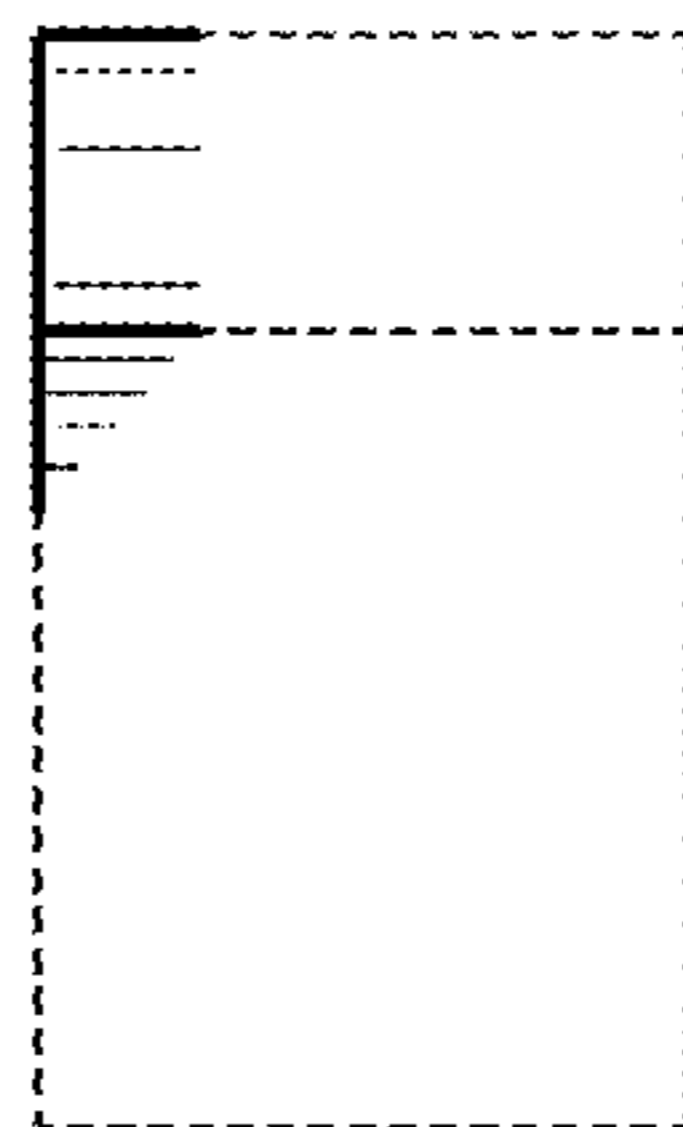


Fig. 21

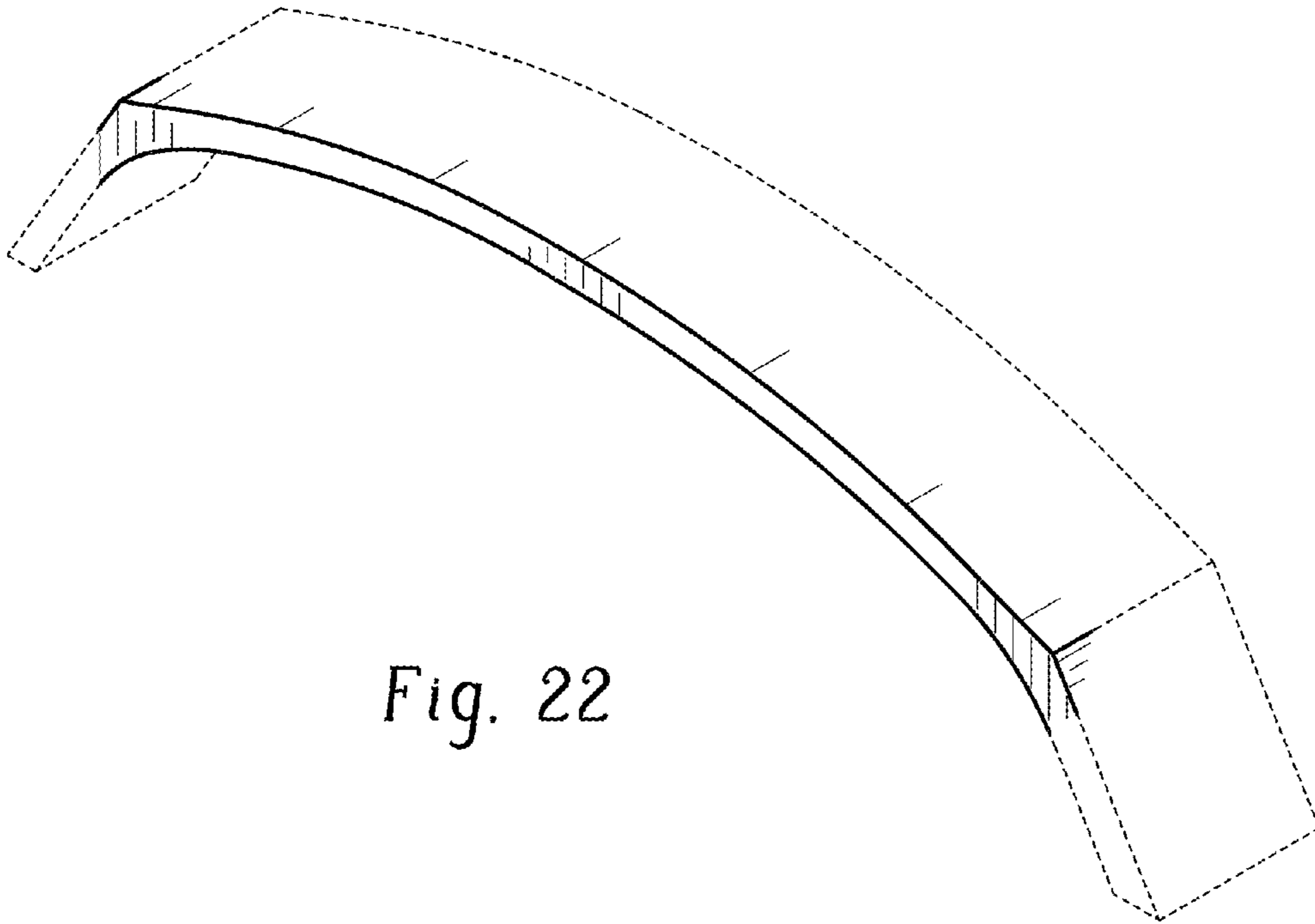


Fig. 22

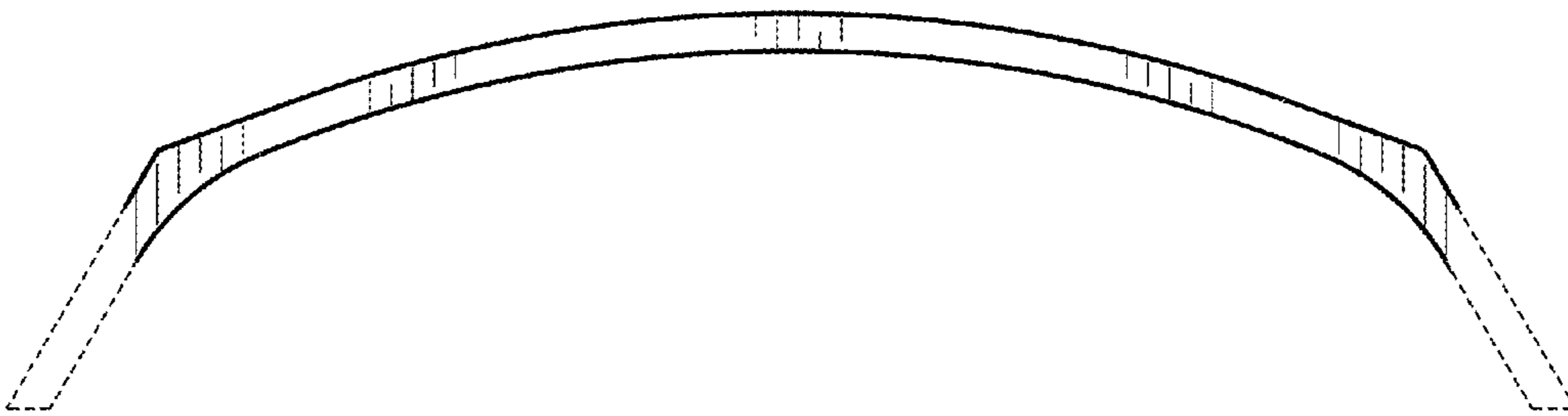


Fig. 23

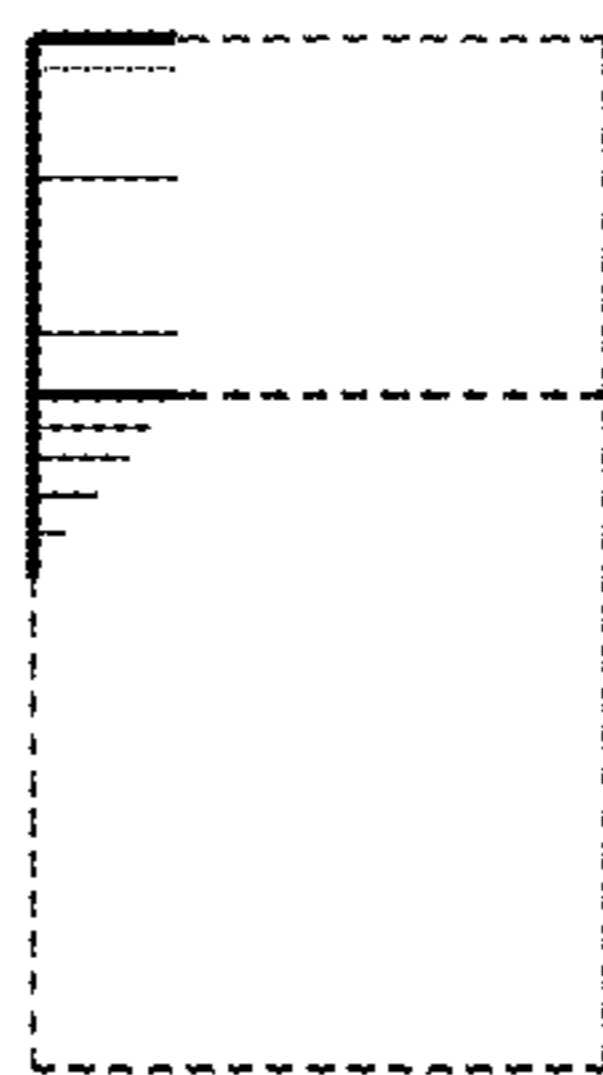


Fig. 24

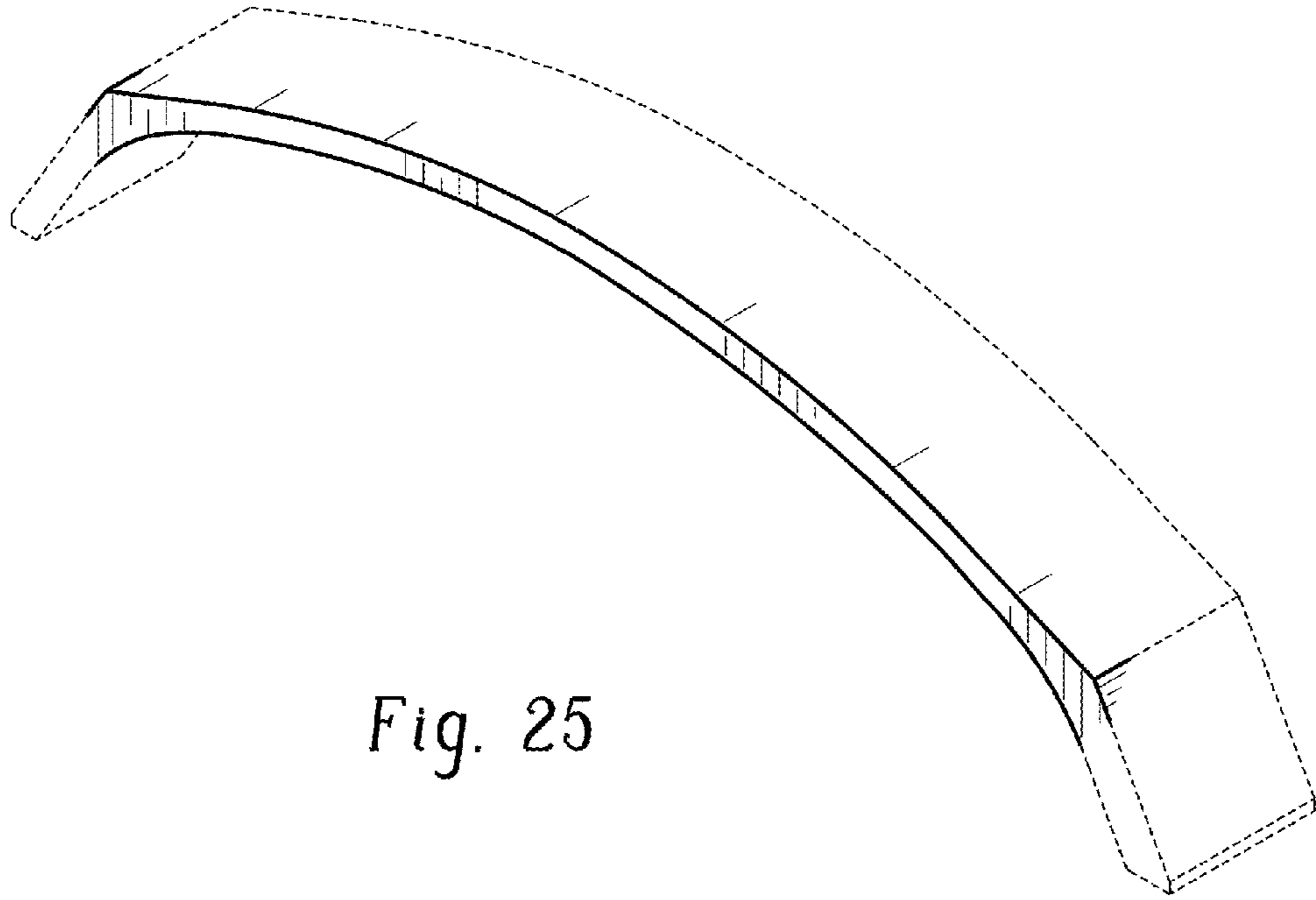


Fig. 25

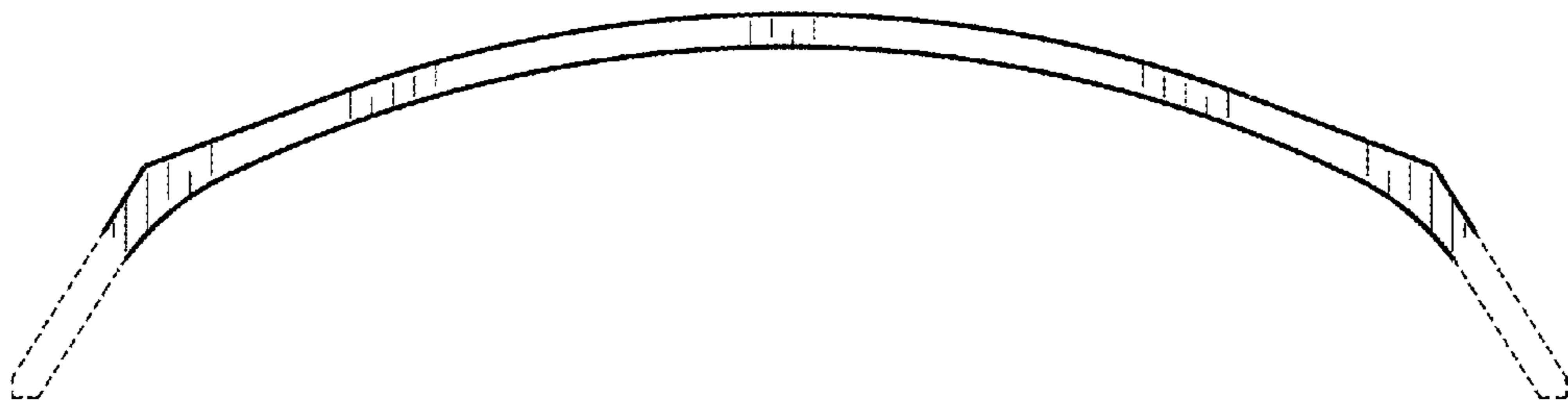


Fig. 26



Fig. 27

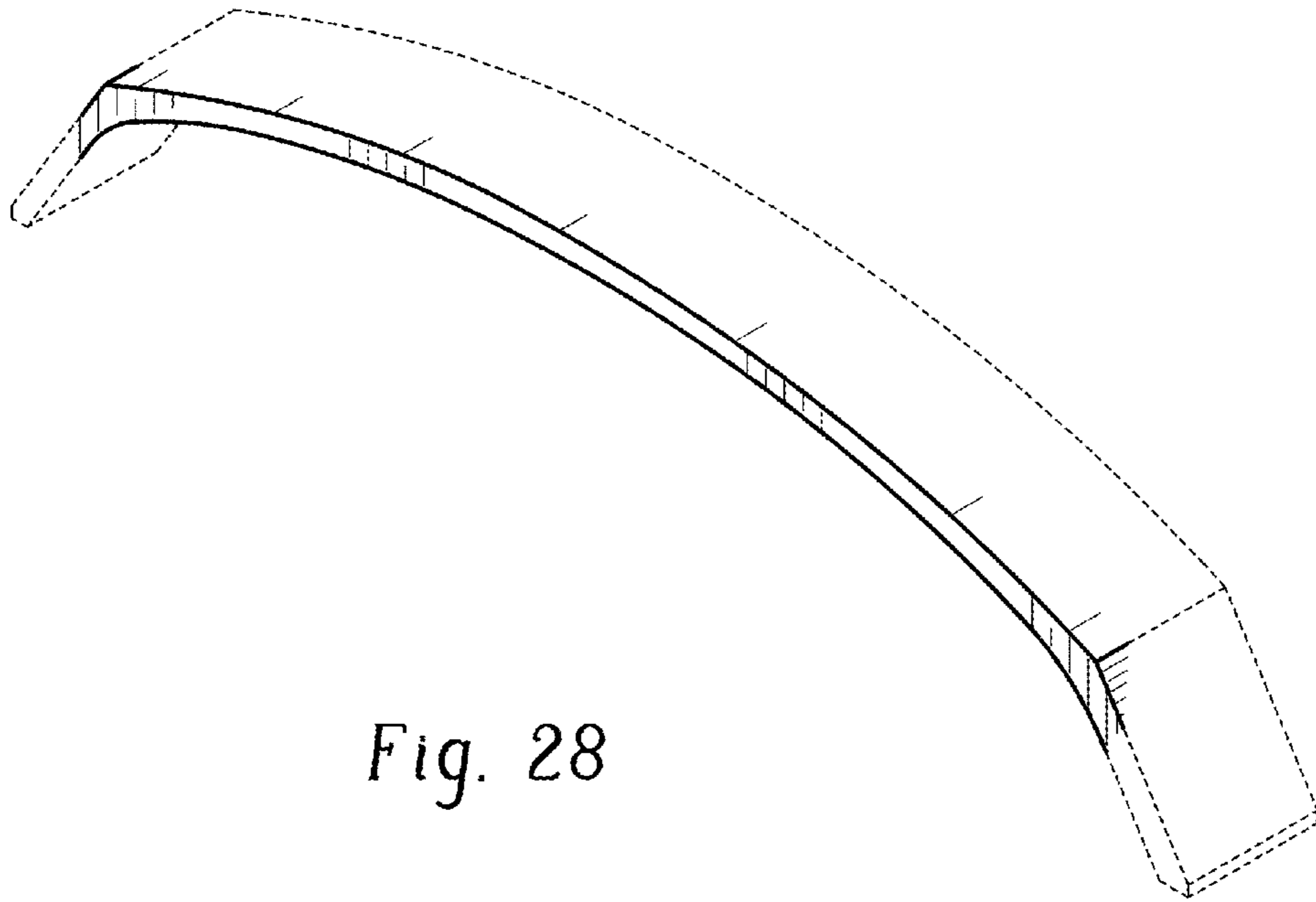


Fig. 28

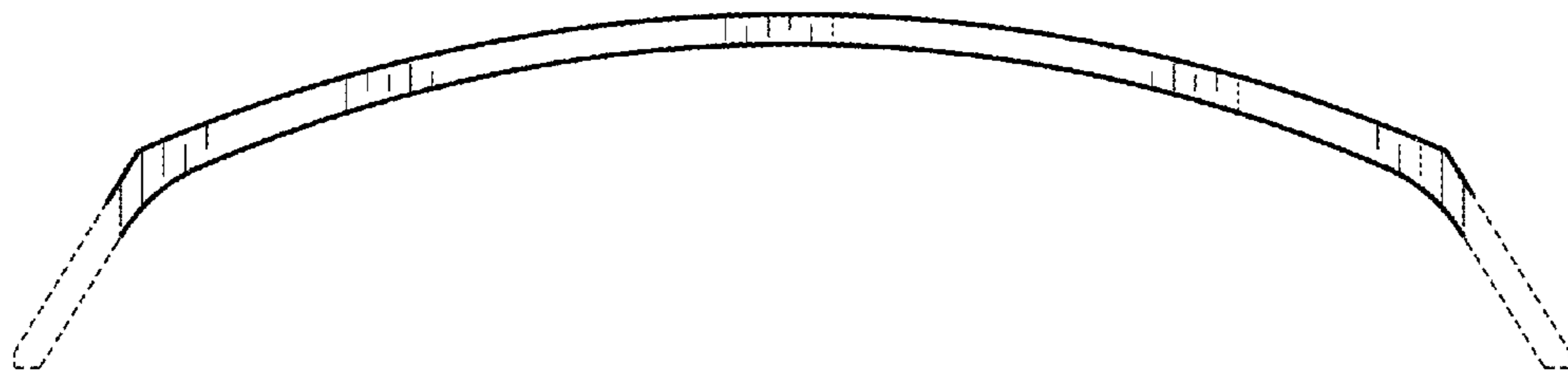


Fig. 29

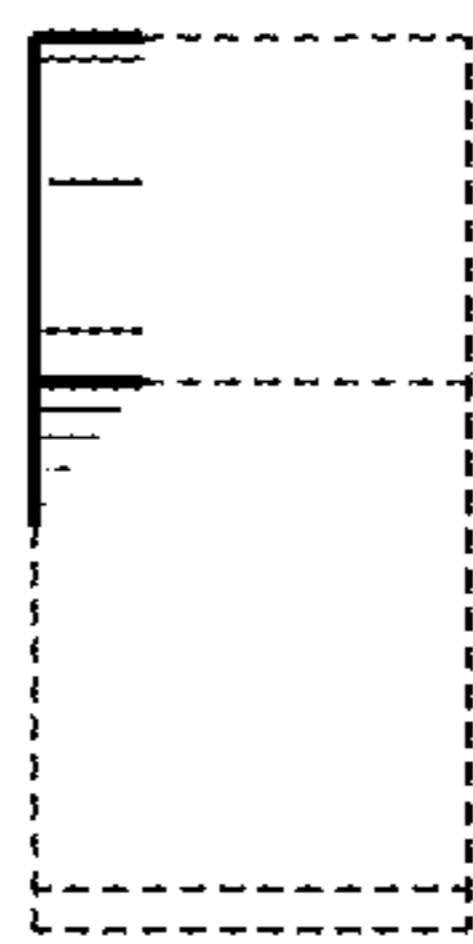


Fig. 30

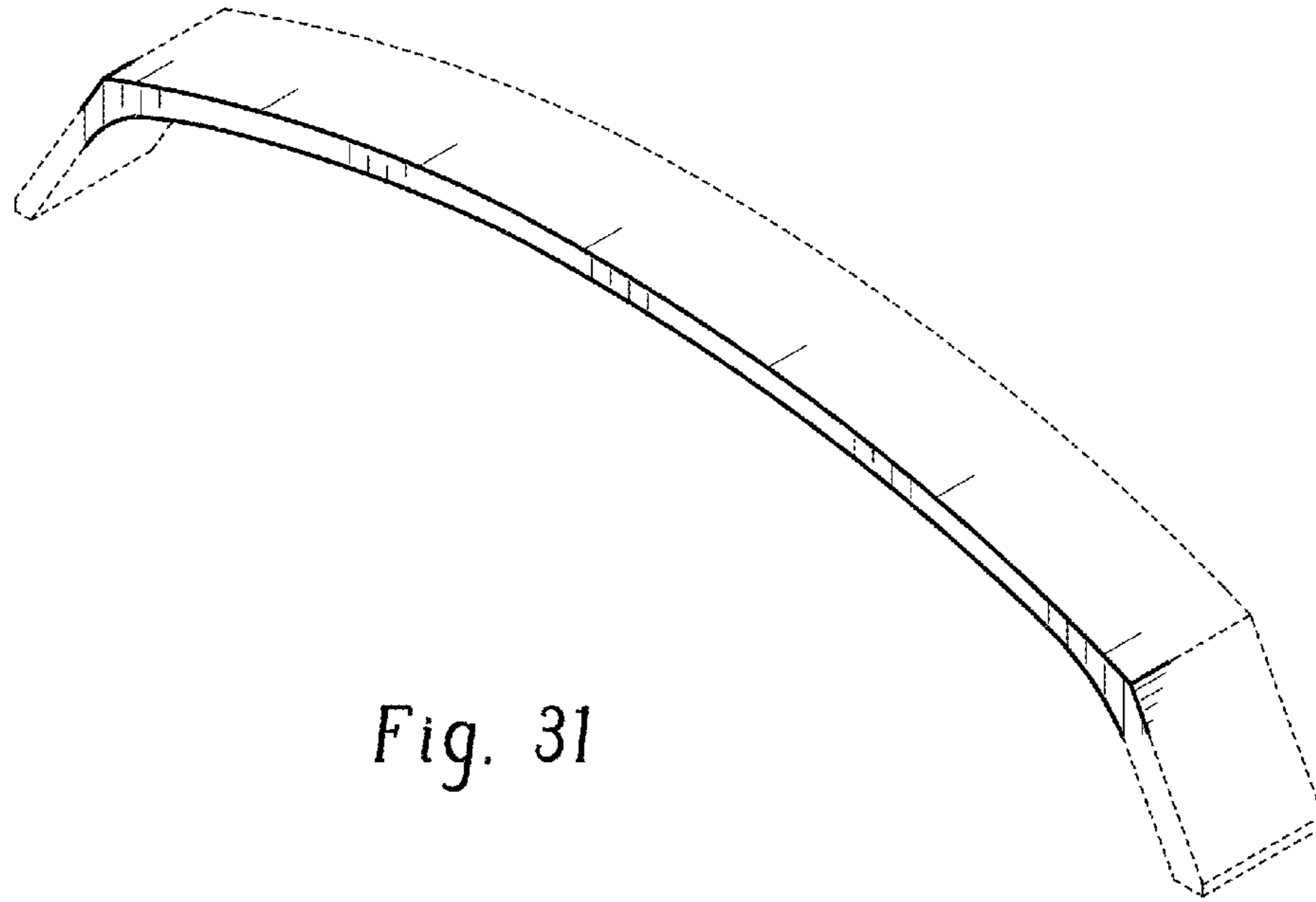


Fig. 31

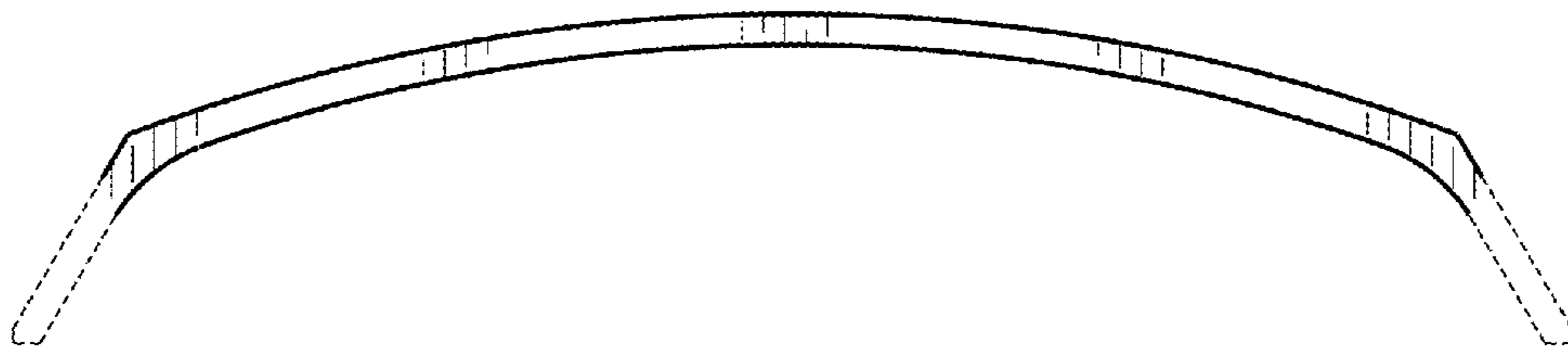


Fig. 32



Fig. 33

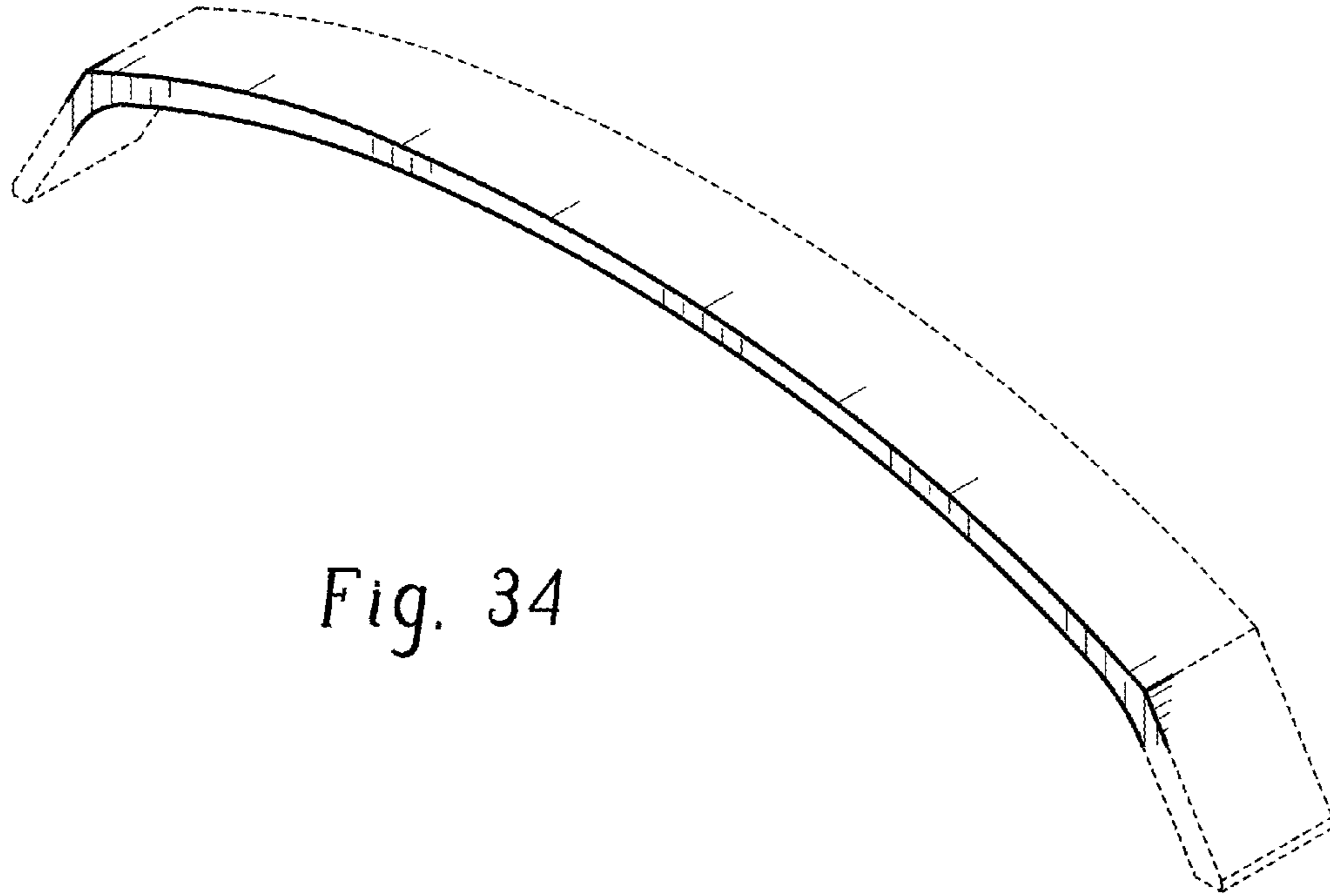


Fig. 34

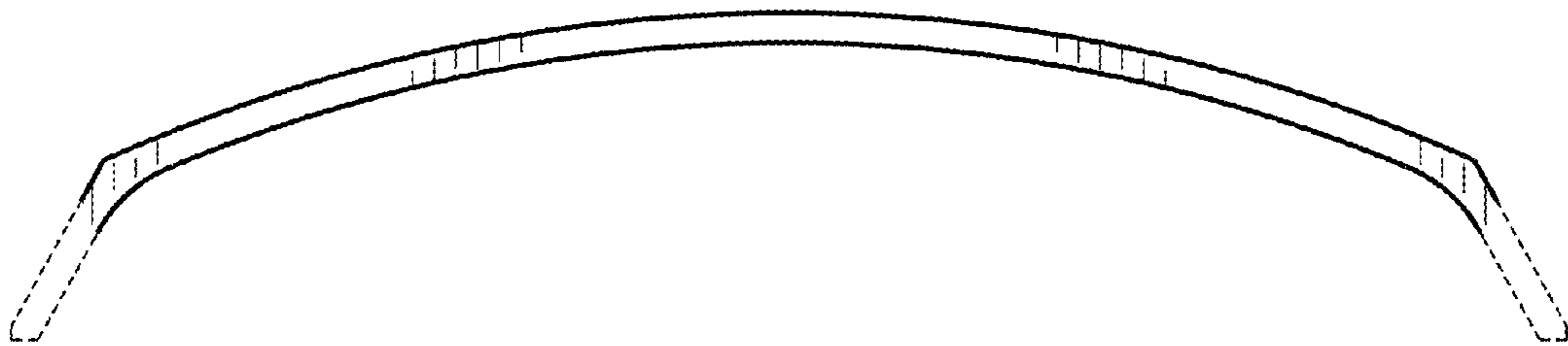


Fig. 35



Fig. 36