

US00D694909S

(12) **United States Design Patent**
Cashman et al.

(10) **Patent No.:** **US D694,909 S**
(45) **Date of Patent:** **** Dec. 3, 2013**

(54) **MEDICAL KIOSK**
(75) Inventors: **Steve Cashman**, Powell, OH (US); **John W. Spirk**, Gates Mills, OH (US); **Jason G. Tilk**, Cleveland Hts., OH (US); **John R. Nottingham**, Bratenahl, OH (US); **Jeffrey Kalman**, Cleveland Hts., OH (US)

(73) Assignee: **Healthspot Inc.**, Dublin, OH (US)

(**) Term: **14 Years**

(21) Appl. No.: **29/403,857**

(22) Filed: **Oct. 12, 2011**

(51) **LOC (9) Cl.** **25-03**

(52) **U.S. Cl.**
USPC **D25/1**

(58) **Field of Classification Search**
USPC D25/1, 16, 33; 52/36.1-36.2, 79.1;
235/381; 109/24.1

See application file for complete search history.

(56) **References Cited**

U.S. PATENT DOCUMENTS

4,884,514	A *	12/1989	Shockey et al.	109/24.1
5,036,779	A *	8/1991	Capraro	109/24.1
D334,985	S *	4/1993	D'Agostino et al.	D25/33
D344,140	S *	2/1994	Webster	D25/33
5,393,964	A *	2/1995	Hamilton et al.	235/381
5,441,047	A	8/1995	David et al.	
5,544,649	A	8/1996	David et al.	
5,558,638	A	9/1996	Evers et al.	
5,619,991	A	4/1997	Sloane	
5,660,176	A	8/1997	Iloff	
5,727,353	A	3/1998	Getz et al.	
5,801,755	A	9/1998	Echerer	
5,810,747	A	9/1998	Brudny et al.	
5,868,669	A	2/1999	Iloff	
5,897,493	A	4/1999	Brown	
5,910,107	A	6/1999	Iloff	

5,987,519	A	11/1999	Peifer et al.	
5,997,476	A	12/1999	Brown	
6,022,315	A	2/2000	Iloff	
6,046,761	A	4/2000	Echerer	
6,071,236	A	6/2000	Iloff	
6,101,478	A	8/2000	Brown	
6,113,540	A	9/2000	Iloff	
6,205,716	B1 *	3/2001	Peltz	52/36.2
6,206,829	B1	3/2001	Iloff	
6,248,065	B1	6/2001	Brown	
6,270,455	B1	8/2001	Brown	
6,295,767	B1 *	10/2001	Barnhill et al.	52/79.1
6,302,844	B1	10/2001	Walker et al.	
6,368,273	B1	4/2002	Brown	

(Continued)

Primary Examiner — T. Chase Nelson

Assistant Examiner — Kathleen M Sims

(74) *Attorney, Agent, or Firm* — Fay Sharpe LLP

(57) **CLAIM**

The ornamental design for a medical kiosk, as shown and described.

DESCRIPTION

FIG. 1 is a front elevation view of a medical kiosk showing my new design;

FIG. 2 is a top plan view of a medical kiosk showing my new design;

FIG. 3 is a bottom plan view of a medical kiosk showing my new design;

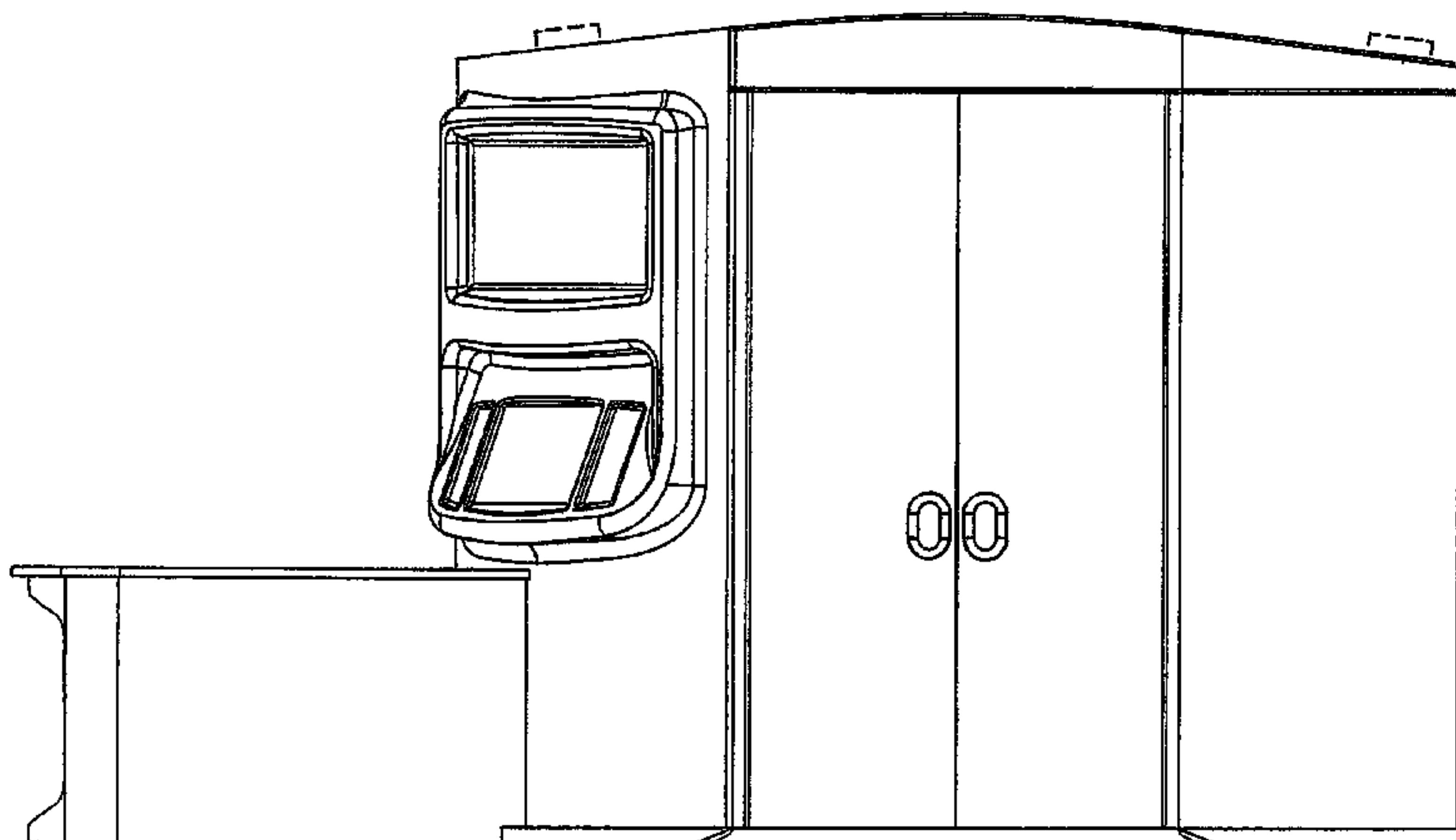
FIG. 4 is a left side view of the medical kiosk showing my new design;

FIG. 5 is a right side view of the medical kiosk showing my new design; and,

FIG. 6 is a back view of the medical kiosk showing my new design.

The broken line showing of details in FIGS. 1-2 and 4-6 is included for the purpose of showing environmental portions of the medical kiosk and forms no part of the claimed design.

1 Claim, 6 Drawing Sheets



(56)

References Cited

U.S. PATENT DOCUMENTS

6,369,847 B1	4/2002	James et al.		D664,667 S *	7/2012	Krymov et al.	D25/16
6,381,577 B1	4/2002	Brown		2003/0028399 A1	2/2003	Davis et al.	
6,403,897 B1	6/2002	Bluth et al.		2003/0088441 A1	5/2003	McNerney	
6,449,001 B1	9/2002	Levy et al.		2003/0163351 A1	8/2003	Brown et al.	
6,594,607 B2	7/2003	Lavery		2004/0006496 A1	1/2004	Nickerson	
6,638,218 B2	10/2003	Bulat		2004/0019259 A1	1/2004	Brown	
6,641,532 B2	11/2003	Iloff		2004/0230458 A1	11/2004	Takayama et al.	
6,668,375 B1	12/2003	Brown		2004/0249778 A1	12/2004	Iloff	
6,692,436 B1	2/2004	Bluth et al.		2005/0228883 A1	10/2005	Brown	
6,725,209 B1	4/2004	Iloff		2006/0010014 A1	1/2006	Brown	
6,731,324 B2	5/2004	Levy		2006/0069753 A1	3/2006	Hu et al.	
6,748,353 B1	6/2004	Iloff		2006/0080152 A1	4/2006	Brown	
6,850,889 B1	2/2005	Zayas, Jr.		2006/0189853 A1	8/2006	Brown	
6,968,375 B1	11/2005	Brown		2006/0200319 A1	9/2006	Brown	
7,011,629 B2	3/2006	Bulat		2006/0235722 A1	10/2006	Brown	
D521,155 S *	5/2006	Shipard	D25/16	2006/0241975 A1	10/2006	Brown	
D526,065 S *	8/2006	Shipard	D25/16	2006/0259201 A1	11/2006	Brown	
7,188,151 B2	3/2007	Kumar et al.		2006/0259332 A1	11/2006	Brown	
7,252,636 B2	8/2007	Brown		2006/0271214 A1	11/2006	Brown	
7,297,109 B2	11/2007	Brown		2006/0285660 A1	12/2006	Brown	
7,297,111 B2	11/2007	Iloff		2006/0285736 A1	12/2006	Brown	
7,300,402 B2	11/2007	Iloff		2006/0287889 A1	12/2006	Brown	
7,310,668 B2	12/2007	Brown		2006/0287931 A1	12/2006	Brown	
7,320,030 B2	1/2008	Brown		2006/0293572 A1	12/2006	Bulat	
D577,127 S *	9/2008	Ronco	D25/33	2007/0011320 A1	1/2007	Brown	
7,516,192 B2	4/2009	Brown		2007/0016445 A1	1/2007	Brown	
7,533,171 B2	5/2009	Brown		2007/0061167 A1	3/2007	Brown	
7,587,469 B2	9/2009	Brown		2007/0073113 A1	3/2007	Squilla et al.	
7,613,620 B2	11/2009	Salwan		2007/0130287 A1	6/2007	Kumar et al.	
7,624,028 B1	11/2009	Brown		2007/0156893 A1	7/2007	Brown	
7,691,059 B2	4/2010	Bulat		2007/0168242 A1	7/2007	Brown	
7,707,270 B2	4/2010	Brown		2007/0168504 A1	7/2007	Brown	
7,730,177 B2	6/2010	Brown		2007/0213605 A1	9/2007	Brown	
7,734,718 B2	6/2010	Brown		2008/0051638 A1	2/2008	Iloff	
7,761,312 B2	7/2010	Brown		2008/0051640 A1	2/2008	Iloff	
7,818,183 B2	10/2010	Schoenberg		2008/0052119 A1	2/2008	Iloff	
7,822,625 B2	10/2010	Brown		2008/0052318 A1	2/2008	Iloff	
7,831,444 B2	11/2010	Brown		2008/0059247 A1	3/2008	Iloff	
7,870,249 B2	1/2011	Brown		2008/0162393 A1	7/2008	Iloff	
7,877,271 B2	1/2011	Brown		2009/0240115 A1	9/2009	Bluth	
7,904,310 B2	3/2011	Brown		2009/0240116 A1	9/2009	Bluth	
7,912,733 B2	3/2011	Clements et al.		2009/0240524 A1	9/2009	Bluth	
RE42,288 E	4/2011	Degioanni		2009/0240527 A1	9/2009	Bluth	
7,921,186 B2	4/2011	Brown		2009/0240528 A1	9/2009	Bluth	
D638,551 S *	5/2011	Gann	D25/16	2009/0240702 A1	9/2009	Bluth	
7,941,323 B2	5/2011	Brown		2009/0241177 A1	9/2009	Bluth	
7,970,620 B2	6/2011	Brown		2010/0030580 A1	2/2010	Salwan	
8,096,083 B2 *	1/2012	Ma et al.	52/36.2	2010/0274835 A1	10/2010	Brown	
				2011/0004487 A1	1/2011	Schoenberg	
				2011/0009707 A1	1/2011	Kaundinya et al.	

* cited by examiner

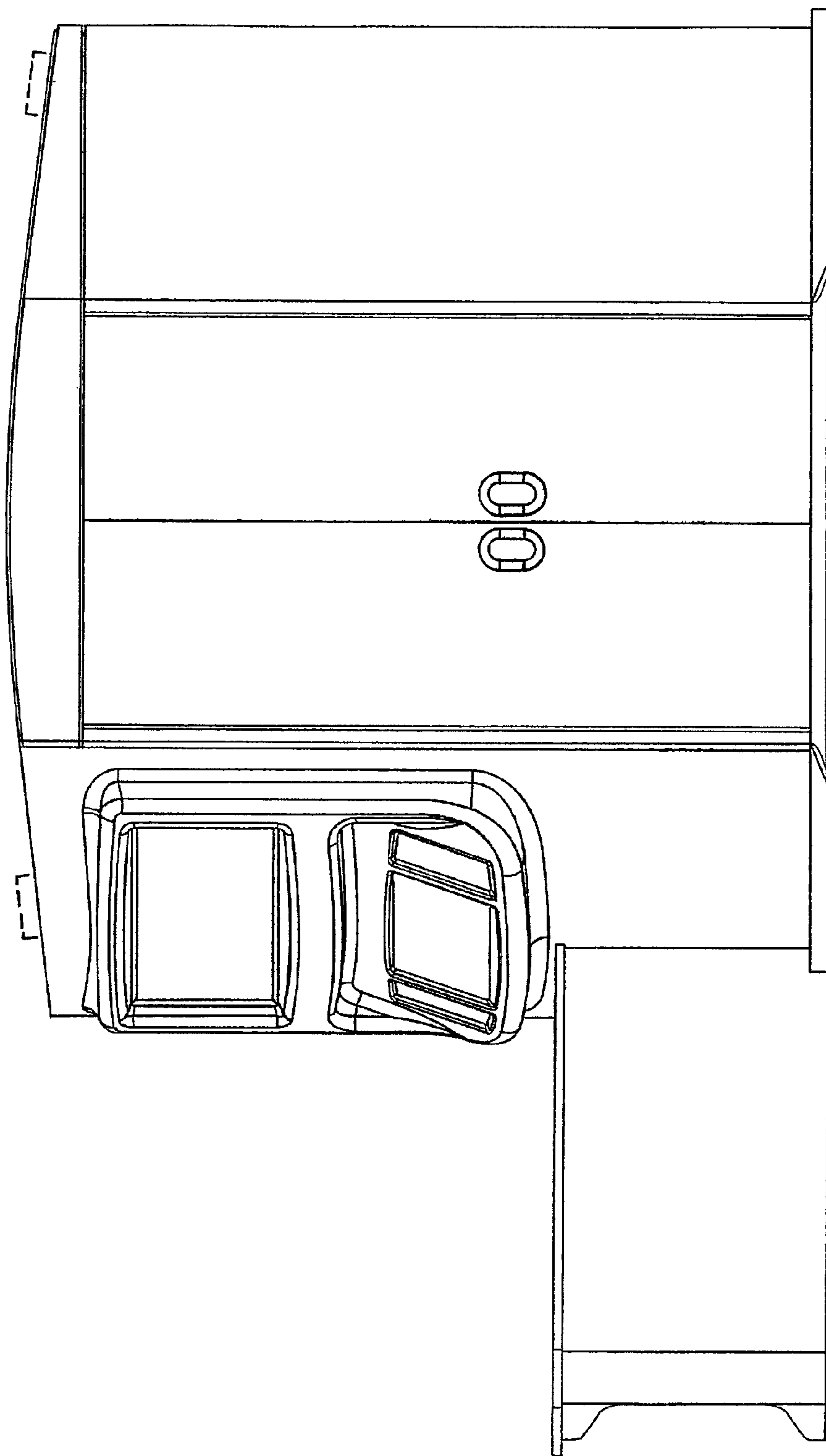


FIG. 1

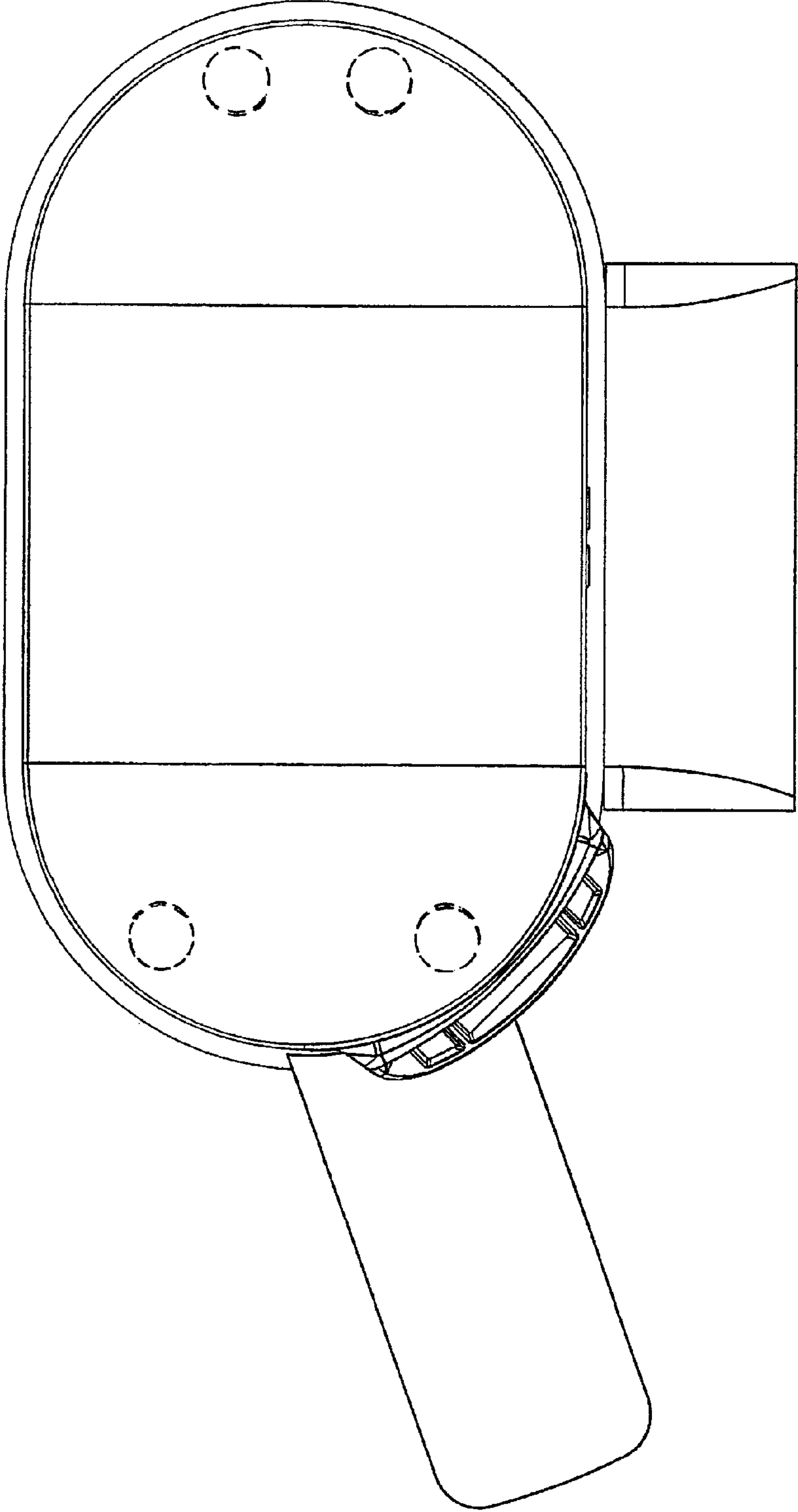


FIG. 2

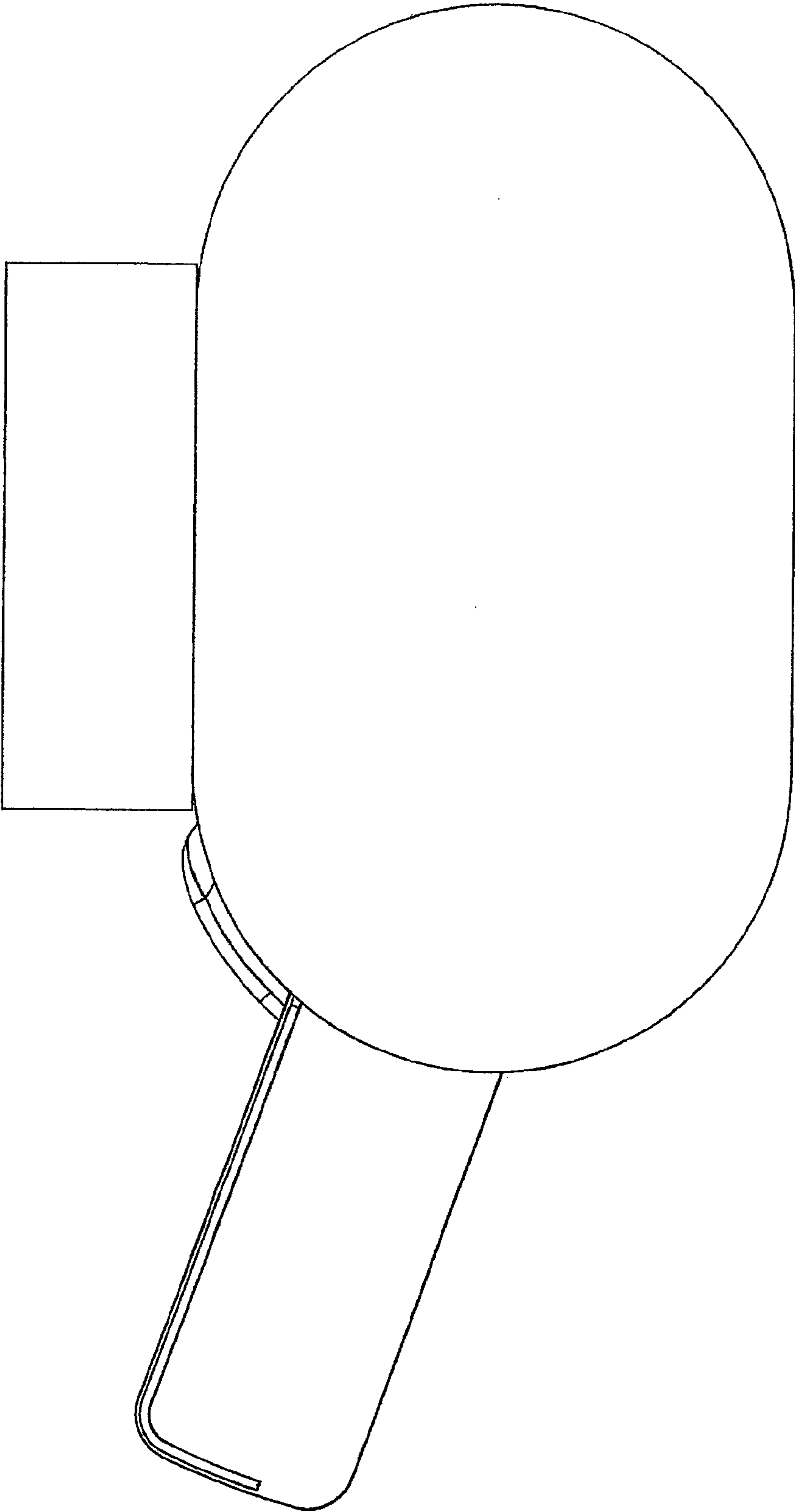


FIG. 3

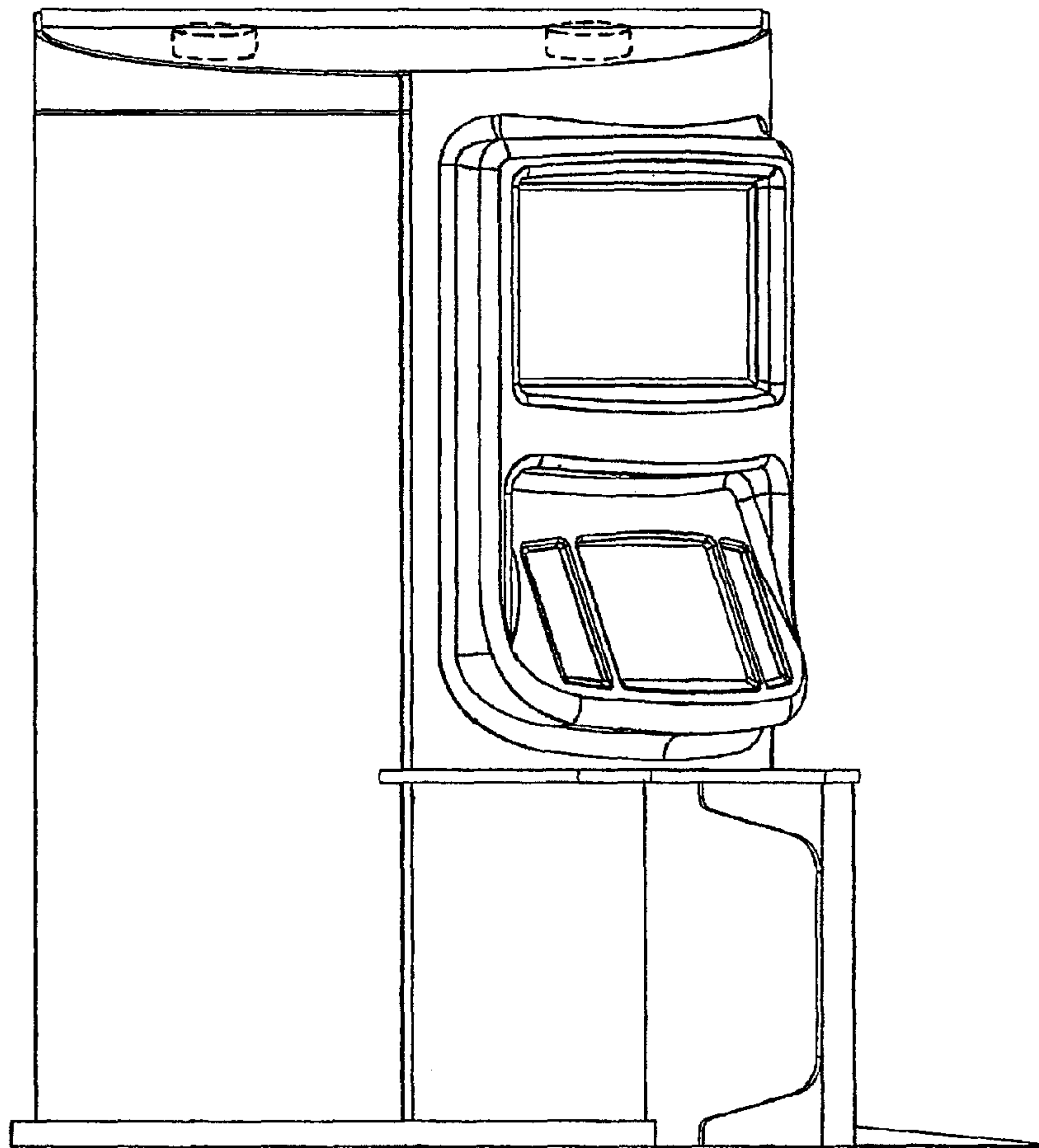


FIG. 4

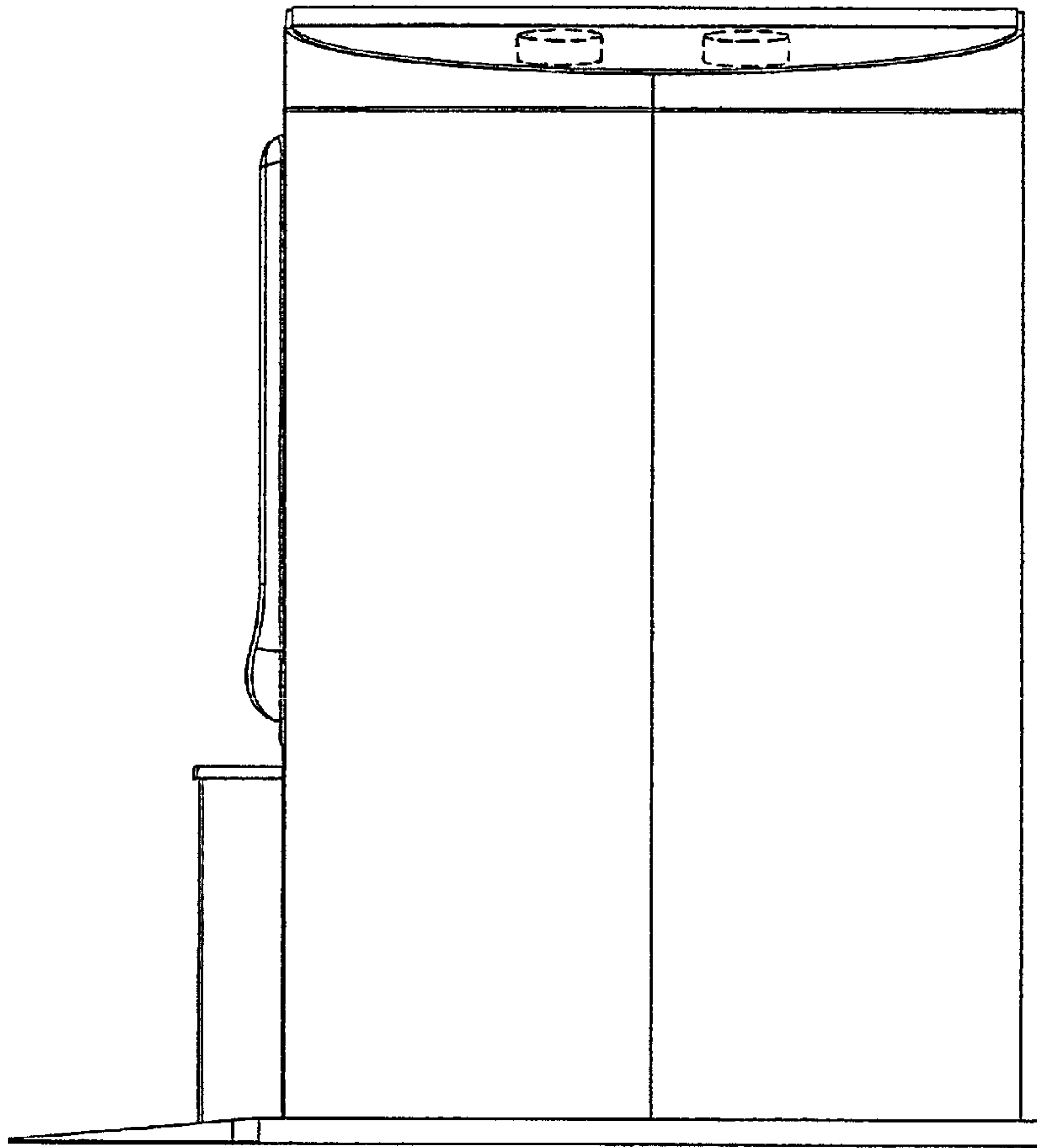


FIG. 5

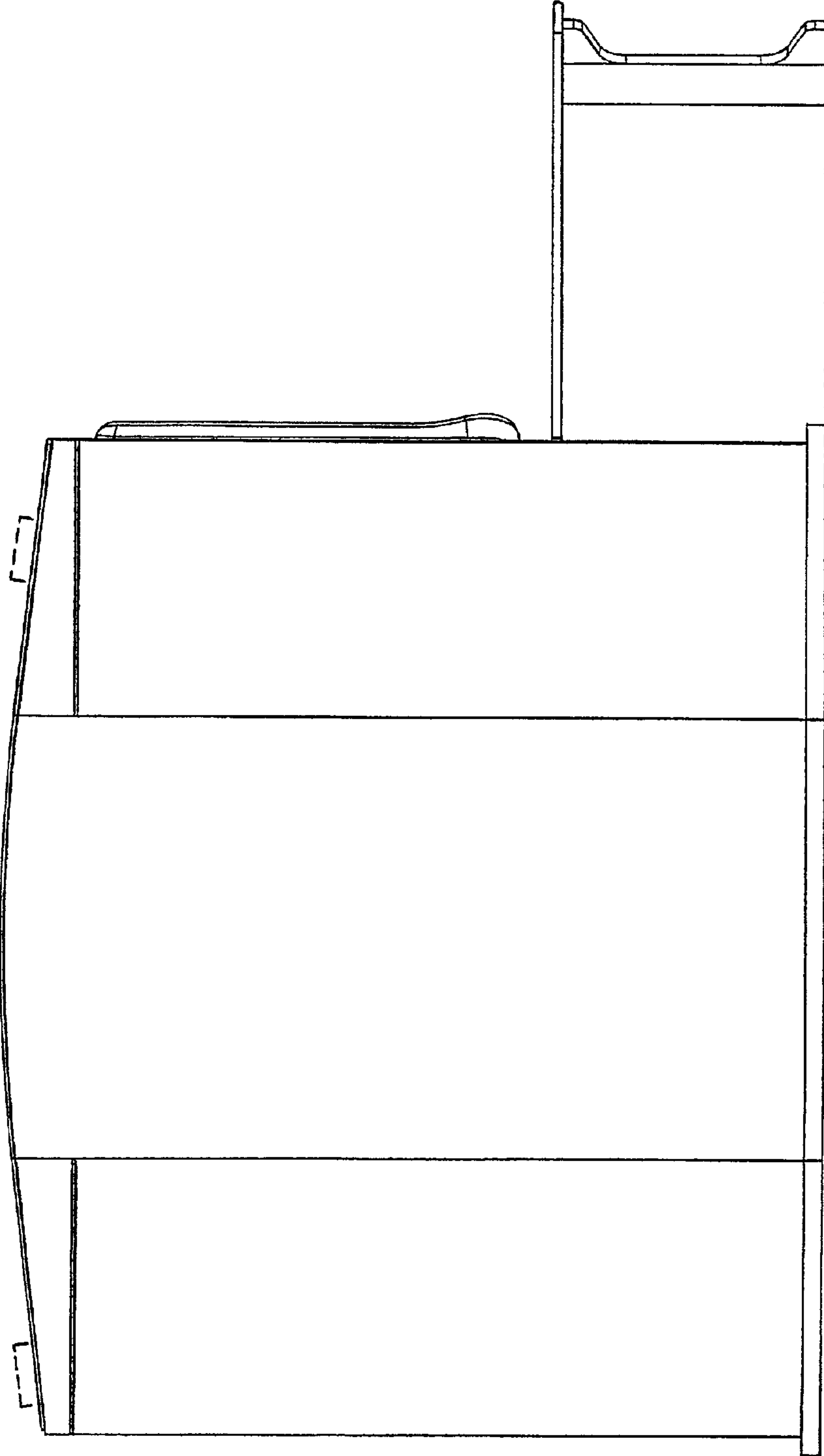


FIG. 6